

# metalico

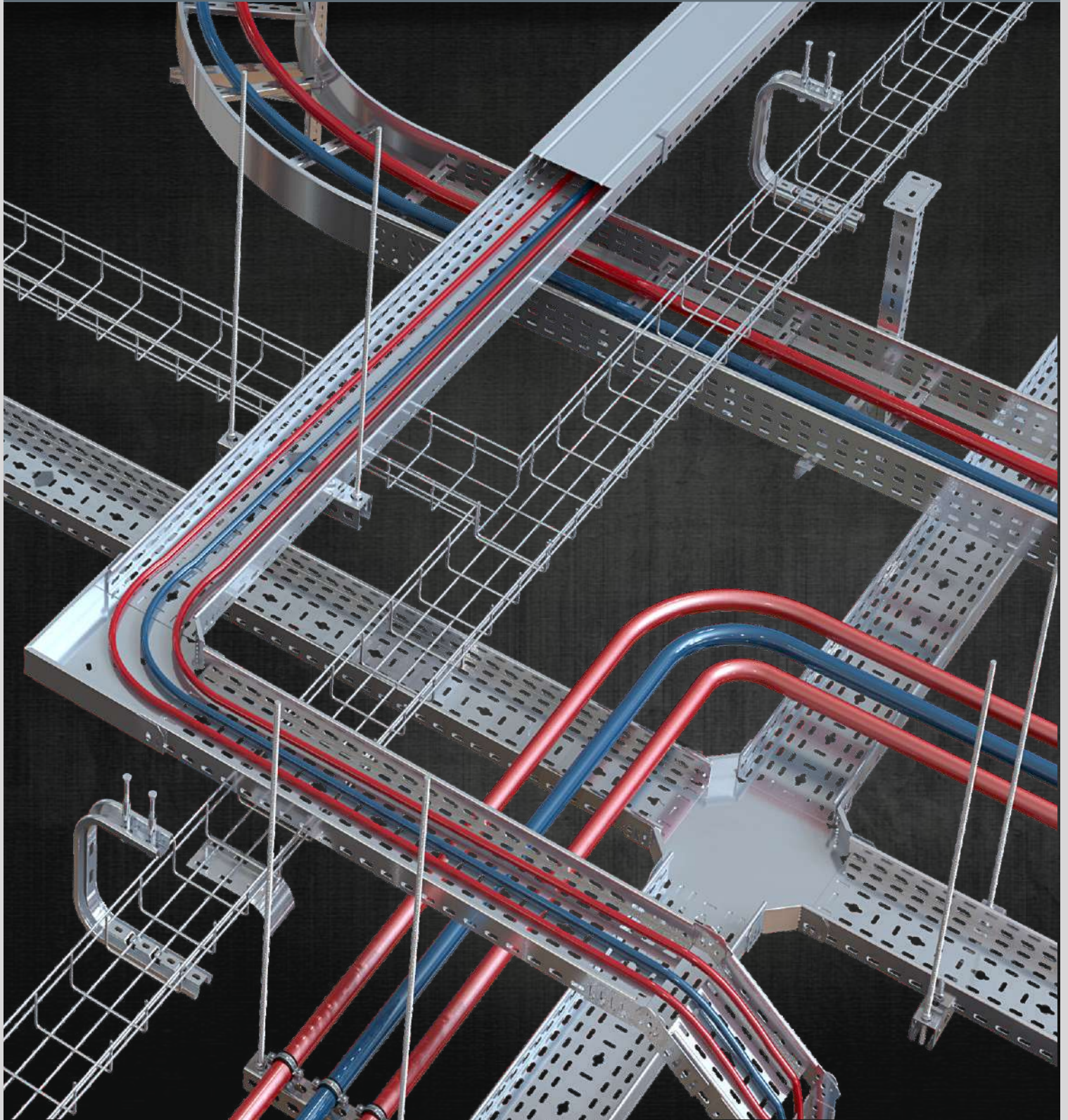
CABLE MANAGEMENT SYSTEMS

• Cable Trays

• Cable Ladders

• Wire Mesh Cable Trays

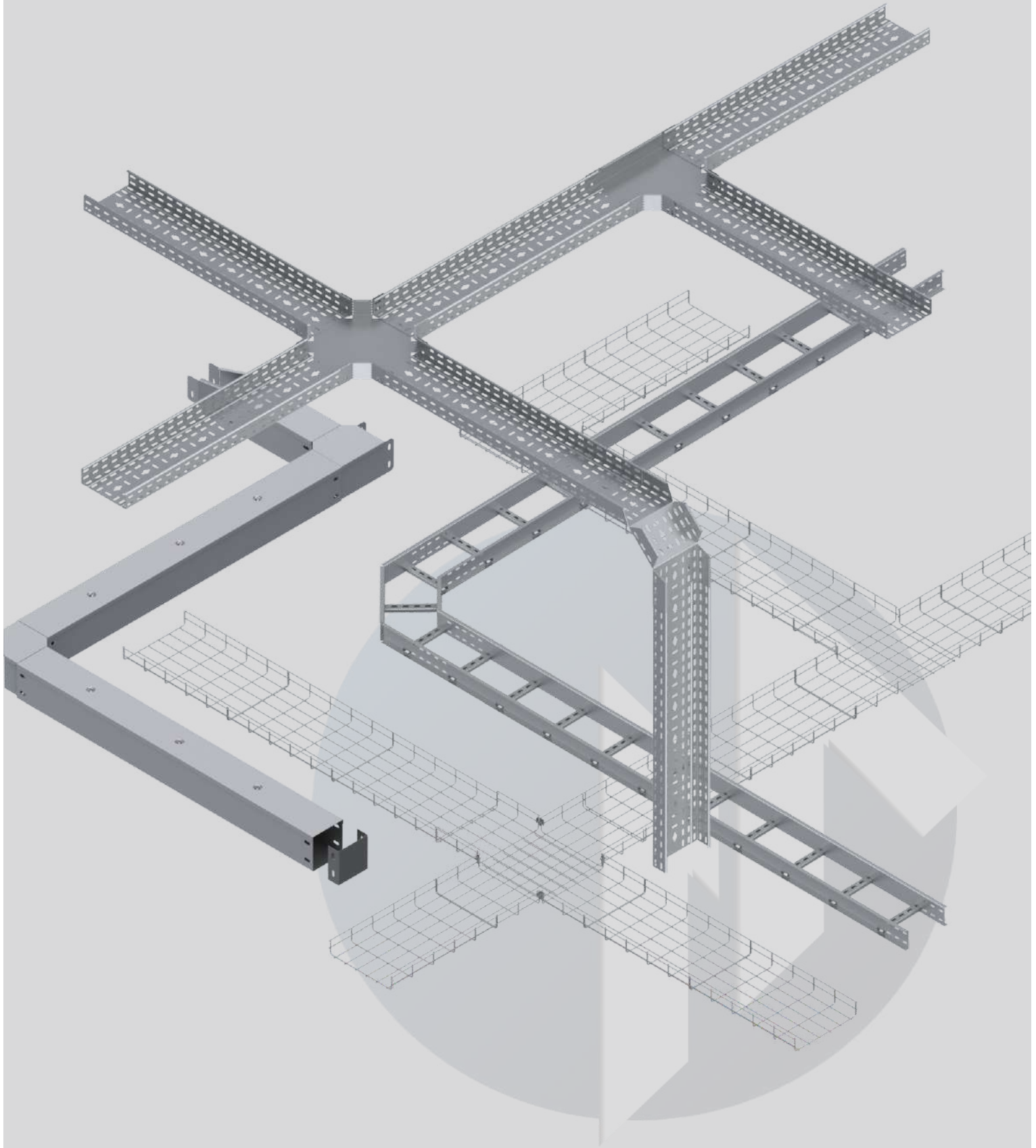
• Support Systems



Product Catalogue

# metalico

CABLE MANAGEMENT SYSTEMS



<b>1</b>	Hakkımızda About Us О компании	VI-XXXI →
<b>2</b>	Cable Tray Systems Kablo Kanalı Sistemleri Перфорированные лотки	1-67 →
<b>3</b>	Cable Ladder Systems Kablo Merdiveni Sistemleri Кабельросты (Лестничные лотки)	68-91 →
<b>4</b>	Wire Mesh Cable Trays Tel Örgü Kablo Kanalları Проволочные лотки	92-112 →
<b>5</b>	Support Systems Destek Sistemleri Система опорных элементов	113-173 →
<b>6</b>	Marine Cable Trays Gemi Tipi Kablo Kanalları Морские кабельные лотки	174-179 →
<b>7</b>	Cable Trunking Systems Trunking Tipi Kablo Kanalları Кабельные Короба	180-185 →
<b>8</b>	Electrical Conduits Elektrik Boruları Электрические трубы	186-191 →
<b>9</b>	Pipe Clamps Boru Kelepçeleri Хомуты для труб	192-205 →
<b>10</b>	Electrical Junction Boxes Elektrik Dağıtım Kutuları Распределительные коробки	206-210 →
<b>11</b>	Cable Lugs, Tie and Glands Kablo Pabuçları, Bağları ve Rakorları Кабельные наконечники, хомуты и зажимы	211-223 →
<b>12</b>	Earthing Systems Topraklama Sistemleri Системы заземления	224-291 →

## Company Introduction - Firma Hakkında



With its extensive experience and customer-oriented service policy, METALICO METAL is proud to be one of the leading manufacturers of cable management solutions in Turkey.

In its 8.000 m2 fully automated facility METALICO METAL have all the resources to guarantee the highest efficiency and speed of delivery. Continuously growth and non stop investment in productive equipments allow METALICO METAL, to offer high quality and competitive range of cable trays that contributes to the customer satisfaction.

As speciliased in Cable Management Systems , METALICO METAL is continuously growing by extending its range of products by adding Electrical Equipments & Lighting and Earthing Materials.

METALICO METAL performs its activities in accordance with ISO 9001 and IEC 61537 Quality Standards.

Our quality policy is to offer quality items and services that would meet requirements of our customers for competitive prices, to make timely deliveries and to ensure continuance of service and quality. Our target is constantly producing high quality items. Our basic target is to be a world brand at our field of operation.

With a total quality management approach, METALICO METAL have gained reliable business partners in many countries around the world. Expanding day by day through a network of sales , we are proud to export %80 of our production to more than 60 countries.

We are gratefull for trust you place in our products and in our company.



## Company Introduction - Firma Hakkında



METALICO METAL; yıllara uzanan deneyimi ve müşteri odaklı hizmet politikasıyla, Selimpaşa fabrikasında toplam 8.000 m2 kapalı alanda gerçekleştirdiği otomasyona dayalı üretimiyle; Türkiye'nin önde gelen kablo kanalı üreticileri arasında yer almaktadır.

Kurulduğu ilk günden bu yana hızla büyüyen METALICO METAL , üretimini ve faaliyet alanlarını sürekli genişletmektedir. Ana konusu kablo koruma ve taşıma sistemleri olan METALICO METAL, bünyesine topraklama ve yıldırımdan koruma ekipmanları gibi diğer elektrik malzemelerini de katarak büyümesini sürdürmüştür.

METALICO METAL, üretim faaliyetlerini ISO 9001 ve TSE EN 61537 standartlarına uygun şekilde sürdürmektedir. Kalite politikası, müşterilerinin isteklerini karşılayacak kaliteli ürün ve hizmetleri en ekonomik şekilde sunmak, zamanında teslim etmek, hizmetin ve kalitenin sürekliliğini sağlamaktır. Amacı kaliteli ve iyi malzemeyi sürekli olarak üretmek olan METALICO METAL 'in temel hedefi, konusunda bir dünya markası olmaktır.

Benimsediği toplam kalite yönetimi anlayışı sayesinde dünyanın birçok ülkesinde güvenilir iş ortakları kazanmıştır. Hergeçen gün genişleyen satış ağıyla üretiminin %80 ini 60'tan fazla ülkeye ihraç etmenin haklı gururunu yaşamaktadır.

Ürünlerimize ve firmamıza duyduğunuz güvenden dolayı teşekkür ederiz.





## Ürün Açıklamaları

Cable Tray systems provide rigid structural support for cables in a variety of commercial and industrial applications. The basic styles of cable tray are: Perforated and Solid Cable Tray, Cable Ladder and Wire Mesh Cable Tray (Basket type).

*Kablo kanalı, yapıların enerji dağıtımı veya haberleşme için kullanılan tesisatlarında, izole elektrik kablolarının güvenli bir şekilde taşınması, sabitlenmesi ve desteklenmesini sağlayan birbiriyle uyumlu birimlerden oluşan sistemlerdir. Kablo kanalı sistemleri genellikle ticari ve endüstriyel yapılarda kablo yönetimi için kullanılan sistemler olup kullanım yerine göre farklı tipleri mevcuttur. Ana olarak: Delikli ve deliksiz kablo kanalı, kablo merdiveni ve tel kablo kanalı olarak sınıflandırabiliriz.*

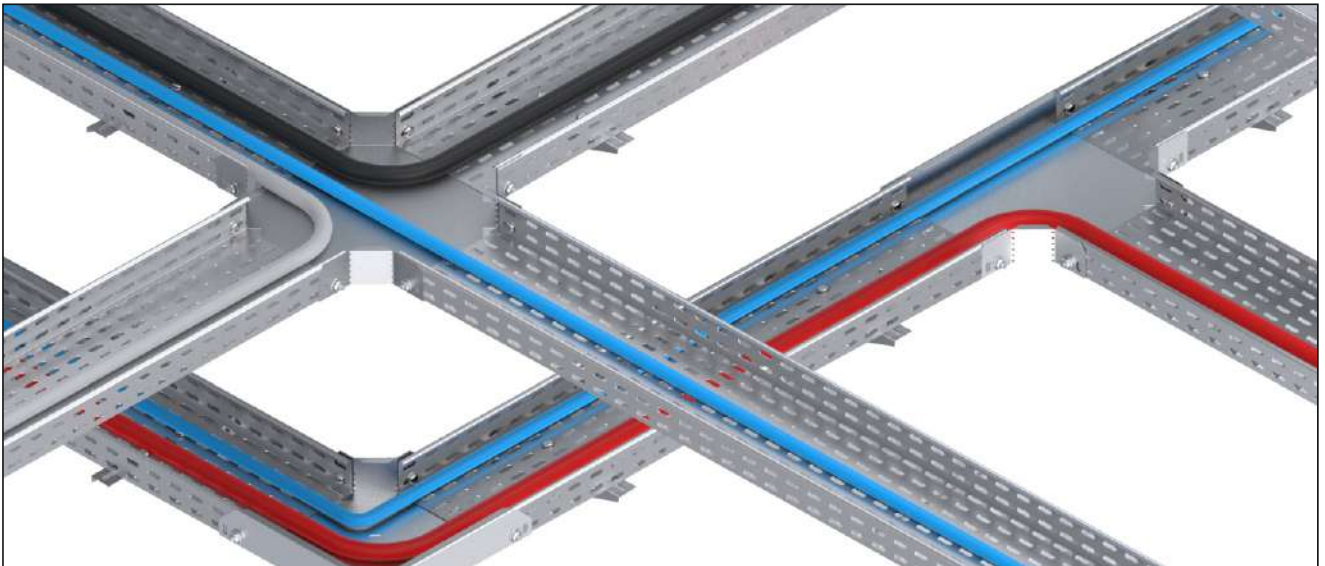
### Perforated and Solid Cable Tray - Delikli ve Deliksiz Kablo Kanalı

Perforated and Solid Cable Tray is a one piece support with either ventilated (perforated) or solid bottom (non perforated) sections. These sections are used with a single power cable, multiple control, or signal circuit cables.

#### Features & Benefits:

- \* Designed to support cabling in 3.0m spans or less. Two flange designs to provide added overall strength to tray
- \* Perforated bottom design allows for hold down attachment, cable attachment, and heat dissipation
- \* Continuous solid bottom tray allows for constant cable support
- \* Available from 0,6mm upto 2,0mm thickness
- \* Available in Pregalvanised, Hot Dip Galvanized or Stainless Steel
- \* Side Height options: 25, 30, 35, 40, 50, 60, 70, 75, 80, 100, 110, 125, 150mm
- \* Widths from 50mm to 1000mm
- \* Bend radius options: 50mm, 150mm, 300mm, 600mm
- \* Length options: 2000mm, 2500mm, 3000mm
- \* Covers available for added cable protection from environmental factors
- \* Available in various mounting methods – c-hanger, trapeze mount, or wall mount

*Delikli tip kablo kanalları taban ve yanlarındaki delikleri sayesinde taşıdığı kablolar için bir miktar havalandırma oluşmasını sağlar. Bu yüzden, daha çok tesisatta ısının oluştuğu fakat ısıların ortalamayı geçmediği alanlarda tercih edilir. Çok uzun destek aralığı gerektirmeyen tesisatlarda kullanımı uygundur. Deliksiz tip kablo kanalları tamamen kapalı olup haberleşme ve bilgisayar kabloları gibi kabloların korunmasının önemli olduğu ve ısınmanın problem oluşturmadığı durumlarda tercih edilir.*



## Ürün Açıklamaları

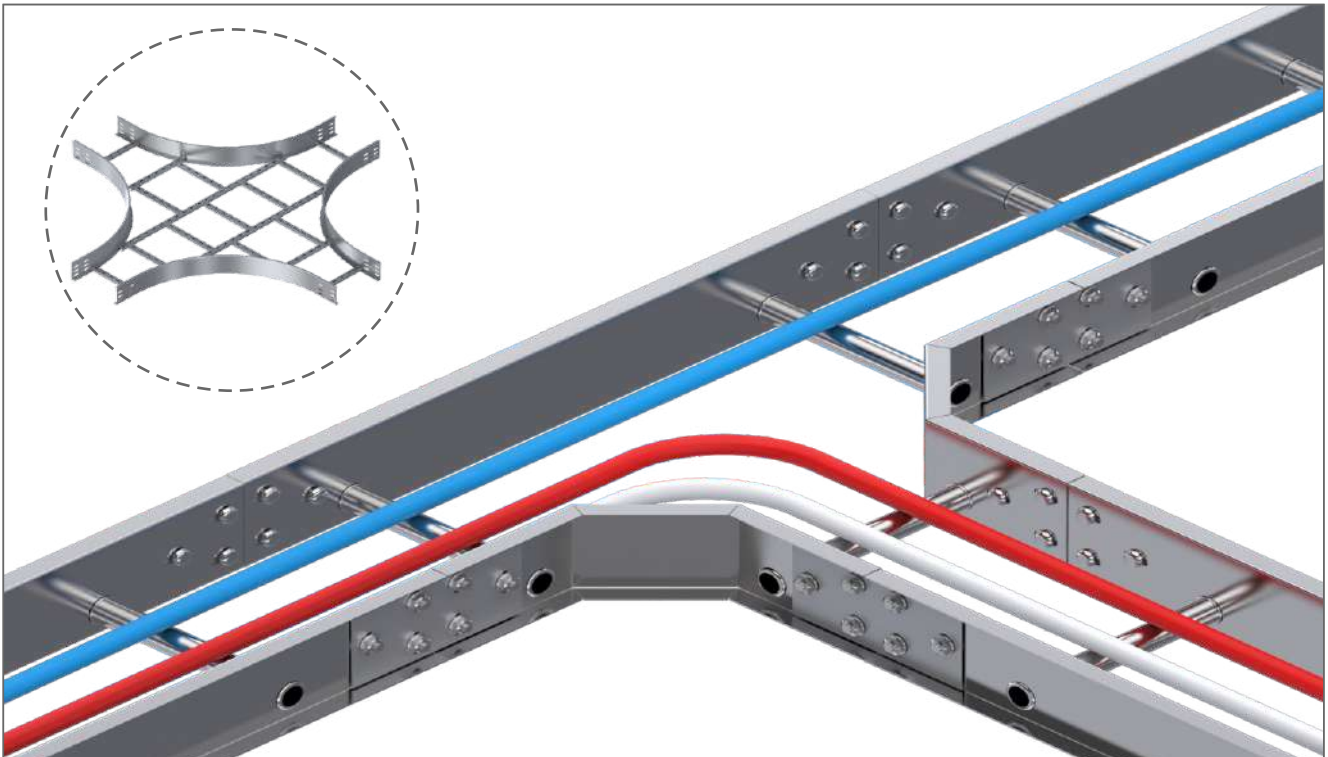
### Cable Ladders - Kablo Merdivenleri

Ladder consists of two longitudinal side members (side beams) connected by individual traverse (rungs) members. It is intended for use as a power cable or control cable support.

#### Features & Benefits:

- \*Designed to reduce overall weight in weight sensitive environments while increasing strength. Ideal for offshore and modular applications where weight is a challenge.
- \*Lightweight – design optimized to exceed load requirements while keeping weight to a minimum
- \*I-Beam side rail - maximizes strength – reduces weight
- \*Slotted side rails reduce labor when splicing after cutting
- \*Slotted rungs for cable and accessory attachment
- \* Available from 1,2mm upto 2,5mm thickness
- \*Available in Pregalvanised, Hot Dip Galvanized or Stainless Steel
- \*Side Height options: 50, 60, 70, 75, 80, 100, 110, 125, 150, 200mm
- \*Widths from 100mm to 1500mm
- \*Bend radius options: 125mm, 150mm, 300mm, 450mm, 600mm
- \*Length options: 2000mm, 2500mm, 3000mm
- \*Covers available for added cable protection from environmental factors
- \*Available in various mounting methods – c-hanger, trapeze mount, or wall mount

*Merdiven tipi kablo kanalları, üzerinde merdiven basamağını andıran düzenli aralıklarla kaynatılmış barlar sebebiyle bu şekilde adlandırılırlar. Basamak aralarında havalandırmanın yükselliği nedeniyle tesisatta ısının oluştuğu ve yüksek seviyelere erişebildiği alanlarda kullanımı yaygındır. Daha uzun destek aralıklarında da yeterli taşıma kapasitesi sağlar ancak basamak aralıkları, kiriş formu ve et kalınlıklarının doğru bir şekilde hesaplanmış olması gerekir.*





## Ürün Açıklamaları

### Wire mesh cable trays - Tel Kablo Kanalları

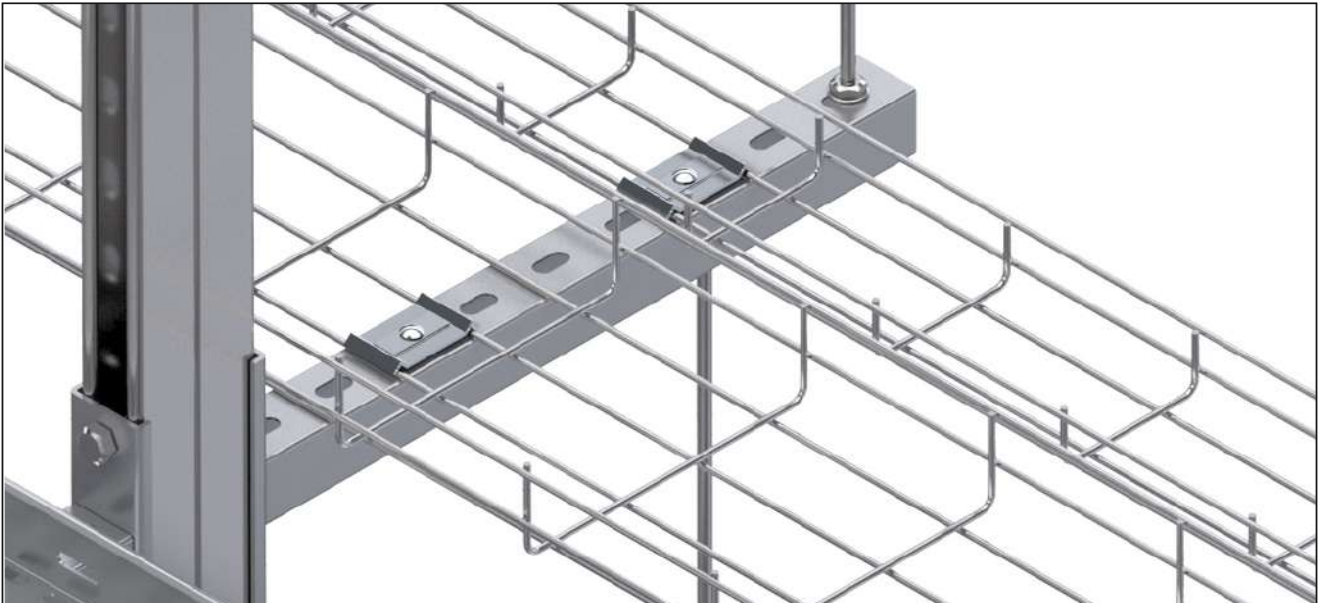
METALICO wire mesh cable trays produced from high mechanical strength steel wire that is welded into a 50 x 100 mesh system. This mesh is then formed into channel, and finishing after fabrication. The 50 x 100 mesh permits continuous airflow to help prevent heat buildup. This unique open design also prevents the buildup of dust, contaminants and bacterial proliferation. Primarily used for support of low voltage, telecommunication and fiber optic cables.

#### Features & Benefits:

METALICO wire mesh cable tray systems offers a number of advantages over traditional type cable trays apart from an economical point including:

- \*Fast and simple on-site assembly
- \*Light weight yet strong and effective- can be handled by one person
- \*Simple fixing systems
- \*Cable save- flush smooth surface and edges
- \*Adaptable- cables can be exit tray at any point
- \*Easy to create tees, crosses, reducers, risers and bends on site
- \*Open trays allow air circulating to keep wiring cool and makes for easy identification of cable
- \* Available in 4mm upto 6mm wire thickness
- \*Available in Electrogalvanised, Hot Dip Galvanized or Stainless Steel
- \*Side Height options: 35, 60, 85, 110, 160mm
- \*Widths from 50mm upto 1000mm
- \*Length options: 2500mm, 3000mm
- \*Covers available for added cable protection from environmental factors
- \*Available in various mounting methods – c-hanger, trapeze mount, or wall mount

*Tel tipi kablo kanalları kısa destek aralarının bulunduğu bina içlerinde ve alçak gerilim, haberleşme ve fiber optik kabloları gibi hafif ama çok sayıda kablonun bulunduğu tesisatlarda yaygın olarak kullanılır. Tozlanmanın problem oluşturacağı ve hijyenin önemli olduğu yapılarda genellikle tercih edilen ürünlerdir.*





## Ürün Açıklamaları

All METALICO cable tray systems are manufactured to meet the requirements of Turkish and European standards EN 61537 – cable trays & ladder systems for electrical installations.

**WARNING!**—Do not use a cable tray as a walkway, ladder or support for people; cable tray is a mechanical support system for cables and raceways. Using cable trays as walkways can cause personal injury and also damage cable tray and installed cables.

Hazardous voltages in electrical equipment can cause severe personal injury or death. Safety related work practices should be followed at all times. The performance of a cable tray wiring system is dependent on its proper installation, including supports and cables. Neglecting installation and maintenance guidelines may lead to personal injury as well as damage to property.

Installation and maintenance of cable tray wiring systems shall be conducted only by qualified personnel. Manufacturer reserves the right to change specifications and design data in the catalog as product development. Published information is the study and may be changed without prior notice.

*Kablo kanal sisteminin genel tasarımı ve üretimi EN 61537 standartları ile uyumlu olarak yapılmaktadır. Montaj seçenekleri sadece bu yazıda belirtilen uygulamalarla sınırlı değildir.*

**UYARI :** Kablo kanallarını insanlar için yürüme, merdiven ya da bir destek olarak kullanmayınız. Kablo kanalı, kablolar için mekanik destek olarak kullanılır. Kablo kanalları merdiven veya yürüyüş yolları gibi kullanılırsa kişisel yaralanmalara neden olabilir ve ayrıca kablo kanalının kendisine ve yüklü olan kablolara hasar da verebilir. Kablo kanalın performansı, düzgün kurulumuna bağlıdır. Kablo kanalın montajı ve sonraki bakımı sadece yetkili ve yeterli eğitim görmüş personel tarafından yapılmalıdır.

*Güvenlik kurallarına uygun olarak bu kişilerin montaj ve bakımı sırasında: lastik eldiven, kasket, toz maskesi vb. gerekli ekipmanları bulunmalıdır.*

*Bu katalogta yer alan bütün bilgiler METALICO METAL firmasına aittir ve izinsiz olarak kullanılamaz. METALICO METAL bu katalogta belirtilen bütün bilgileri habersiz olarak değiştirme hakkına sahiptir. Katalogta yapılmış hatalar için firmamız yasal olarak sorumlu tutulamaz.*



## Malzeme Seçimi

The life expectancy of a cable support system is dependent on the environment in which it is placed. Therefore, it is important to establish the corrosive properties of an environment to ensure that the right treatment and the right material are chosen.

All metal surfaces are affected by corrosion. Depending on the physical properties of the metal and the environment to which it is exposed, chemical or Electromechanical corrosion may occur.



### Atmospheric Corrosion:

Atmospheric corrosion occurs when metal is exposed to airborne liquids, solid or gases. Some sources of atmospheric corrosion are moisture, salt, dirt and sulphuric acid. This form of corrosion is typically worse outdoors, especially near marine environments.



### Chemical Corrosion:

Chemical corrosion takes place when metal comes in direct contact with corrosive media. Some factors which affect the severity of chemical corrosion include: chemical concentration level, duration of contact, frequency of washing and operating temperature.



### Electrochemical corrosion:

When two dissimilar metals are in contact and become damp it is possible for corrosion to be induced in one of the metals. Such corrosion may progress rapidly and cause considerable damage so it is important to consider and, if necessary, take steps to eliminate this process.



### Galvanic corrosion:

Galvanic Corrosion occurs when two or more dissimilar metals are in contacts in the presence of an electrolyte (ie. Moisture). An electrolyte cell is created and the metals form an anode or a cathode depending on their relative position on the Galvanic Series Table. The anodic material will be the one to corrode. Whether a material is anodic depends on the relative position of the material. For example: If zinc and steel are in contact, the zinc acts as the anode and will corrode; the steel acts as the cathode, and will be protected. If steel and copper are in contact, the steel is now the anode and will corrode.



## Malzeme Seçimi

The table below shows various corrosion classes. As a guide, we have included the surface treatment recommended by Metalico for the different classes. On the next pages, we briefly outline the various surface treatments and materials. As regards environmental corrosion, a steel design component can usually be assigned to one of the corrosion classes (C1-C5-M) as shown in table below.

In this table you can see also the average level of corrosion in zinc. The corrosion classes comply with those stipulated in EN ISO 12944-2.

Corrosion Class	Environmental Corrosion	Mass loss of zinc per 1 year of exposure ( $\mu\text{m}$ )	Typical Environment		Recommended min. Surface treatment
			Outdoors	Indoors	Metalico
C1	Very low	$\leq 0.1$	-	Heated Buildings, like offices, shops, schools and hotels.	Electro-galvanised or Pre-galvanised according with EN 10142
C2	Low	$>0.1$ to $0.7$	Atmospheres with low levels of airborne pollution Rural areas.	Non-heated areas with formation of condensate like sport halls and warehouses.	Pre-galvanised according with EN 10142
C3	Average	$>0.7$ to $2.1$	Atmospheres containing some salt or average levels of airborne pollution. Urban and light industrial areas. Areas effected by coastal conditions.	Areas with average levels of humidity and some airborne pollution resulting from production processes, like dairies, breweries and laundries.	Hot dip galvanised after manufacture in accordance with EN ISO 1461
C4	High	$>2.1$ to $4.2$	Atmospheres with average salt content or discernible levels of airborne pollution Industrial and coastal areas.	Areas of high humidity and considerable airborne pollution experience as the result of production processes like chemical plants, swimming pools and dockyards	Hot dip galvanised after manufacture in accordance with EN ISO 1461
C5-I	Very high (industrial)	$>4.2$ to $8.4$	Industrial areas with high levels of humidity and aggressive atmospheres.	Areas with almost permanent condensation and large quantities of airborne pollution.	Stainless Steel AISI 304
C5-M	Very high (marine)	$>4.2$ to $8.4$	Coastal and offshore areas with high salt content	Areas with almost permanent condensation and large quantities of airborne pollution.	Stainless Steel AISI 316

## Malzeme Seçimi



### Hot Dip Galvanised (HDG)

Hot-dip Galvanising is a coating method performed by dipping iron and steel products suitable for galvanising into a molten zinc bath at 450 oC, whereby diffusion of iron (Fe) and zinc (Zn) atoms is occurred. In the galvanisation process, zinc and iron in steel body react with each other, forming a zinc – iron alloy on the material surface. When galvanised material is removed from the bath, the upper layer formed on the material surface has a similar composition with the galvanising bath. Dipping periods of steel materials for galvanising depends on the item weight and wall thickness.

In order that the mentioned iron-zinc reaction can be started, the material should be kept inside the molten zinc bath until the temperature of dipped material reaches to the temperature of the bath. When materials placed inside the zinc bath are coated, a thin layer occurs on the zinc bath surface which is caused by the cleaning chemicals and oxidation. These wastes should be removed from the bath surface before taking the coated material out of the bath.

In hot-dip galvanizing method, all the surfaces of the material, which is dipped to the molten zinc, even to the most critical points (sharp edges, cut corners, holes) are coated completely with zinc.

This form of galvanization affords very good value-for-money anti-corrosion protection in atmospheres with a pH value of between 6 and 13. However, in acidic environments where pH levels fall below 6 and in alkaline environments where the pH value exceeds 13, the protective zinc layer breaks down relatively quickly.

The zinc coating, that has a bright view at the first times, will later have a protective layer with a dull gray color.

The minimum coating thickness on the surfaces is 45µm (325gr/m<sup>2</sup>) and the average coating thickness on the surfaces is about 55µm (395gr/m<sup>2</sup>) in accordance with EN ISO 1461 quality standard.

Usage life of hot-dip galvanised cable trays & support units is predictable in any environments and it can keep its protective feature even in the heaviest atmospheric conditions. It can last at least 10-20 years in the heaviest industrial mediums and in regions close to seaside, and longer than 25 years in less harmful environments, without requiring any repair maintenance service. In situations where a maintenance is actually required, galvanising is very simple compared with the repair required by other protection methods.

### Pre-galvanised (PG)

This galvanization method is the one which is practiced before there is any fabrication done over the material. While this is also a method of hot-dip galvanizing, it differs in the thickness of coating and its order in the flowchart of the process. At the very simplest sense, after the coil of steel is flattened, it enters into an ammonium chloride (flux) mixture bath and then enters into the molten zinc bath continuously. After the zinc coating is smoothed it is then re-coiled and the manufacturing company uses this as a raw material for itself.

This homogeneous coating thickness on the surfaces has a changing value from 10µm to 20µm (70gr/m<sup>2</sup> 140gr/m<sup>2</sup>) in accordance with EN 10346.

Cable trays & support elements manufactured from a steel with such characteristics is recommended to be used inside buildings where dry air is present and lacking harming products and their related effects which may result in corrosion. Consequently, choosing cable trays made out of pre-galvanized steel where suitable conditions are available instead of hot-dip galvanized cable trays provides an economical advantage.

Material plated by pre-galvanizing method will be protected against corrosion on cut surfaces due to cathodic effect between zinc and iron elements. (It is valid and effective up to 2mm thickness).

## Malzeme Seçimi

### Stainless steel

---

Metalico stainless steel products, manufactured in accordance with SS 2333 AISI 304, or in accordance with SS 2348 AISI 316L are designed for use in highly aggressive environments, either indoors or outdoors, on industrial sites where there are high levels of potent airborne pollution such as in certain chemical industries, cellulose-related industries, refineries or artificial fertiliser factories, high humidity tunnels, etc.

Stainless steel products are also ideal for use in environments where special hygiene requirements are in force, such as dairies, abattoirs, other food industries and pharmaceuticals factories.

Stainless steel AISI 304 or AISI 316L

The deciding factor in choosing between stainless steel AISI 304 or AISI 316L is the aggressiveness of the environment in which it is to be used, and for this atmospheric chlorine content plays a significant role. Environments with a high chlorine content - coastal areas being a prime example - are aggressive and usually require the use of AISI 316L materials. When assessing the needs of factories, consideration should be given to the materials previously used to suspend equipment such as pipe tubing, and from this determine whether stainless steel AISI 304 or AISI 316L material is required.

Rate of dissolution

The rate of dissolution is determined by the pH value of pure zinc in distilled oxygenated water that has been pH adjusted to various levels using HCl or NaOH. NB The curve only applies to conditions shown, and gives only an indication of the propensity for corrosion without consideration.

### Passivation

---

Passivation of the stainless steel will occur naturally after pickling when the oxygen in the air will react with the surface of the steel to form a passive chromium oxide layer. However it is usual for this passivation process to be speeded up by immersing the article in a nitric acid or other passivating agent.

### Electropolishing

---

In various industries such as food, pharmaceutical and electronics, there is a requirement for easier cleaning and reduced bacterial growth on the surface of the stainless steel.

This increased surface smoothness is achieved by a process called electropolishing.

Electropolishing is, in principle, a reversal of the electroplating process. The article is submerged in a special acid electrolyte and a DC current passed into the article and through the electrolyte. This process removes the high spots from the surface micro roughness leaving a surface which is bright and smooth.

### EPOXY

---

Powder coated finishes give excellent protection against scratches as they are normally between 50 - 100% harder than the equivalent wet paint finishes. They are available in a wide range of colours and can have matt or various gloss finishes. In addition to the aesthetic qualities powder coating are available in various grades to cope with different site conditions. Grades are produced to cope with exterior applications where there can be high levels of ultra violet light or low smoke and fume applications for fire risk areas such as occur in tunnels. Because powder coated finishes are inherently resilient and resistant to chemical or corrosive attack, these finishes are frequently used for protection only where there is no aesthetic requirement.

### Electro-Galvanizing

---

Electrolytically, a zinc coating is deposited on the steel. The baths used consist of acid or alkali solutions of zinc salts. The anodes are zinc and the parts to be coated, previously degreased and cleaned, are connected to the cathode. The minimum coating thickness by this method is 8µm. Such products are intended for use only in warm, dry areas with negligible pollutant levels.



## Yükleme, İndirme & Depolama Uyarıları

### Loading and Offloading Recommendations - Yüklem ve İndirme

Site deliveries should preferably only be made where suitable mechanical handling equipment is available on site.

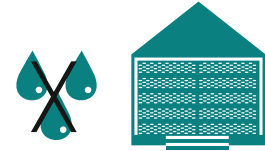


The delivered material must be treated with care. Lifting must only be carried out from the sides and the forklift truck tines must pass below a complete bundle. Tines must never\* be inserted into the end of the bundle, unless provision is made such as special packaging and/or extended tines, otherwise the safety limits of the lifting vehicle may be exceeded and damage may be caused to the equipment being lifted. For offloading by crane suitable lifting beams should be inserted from side to side beneath a bundle and these must be sufficiently long to avoid undue pressure on the edges of the bottom components.

The tensioned banding used for securing bundles of equipment during transport is not suitable for lifting purposes. When cutting this banding appropriate eye protection must be worn to avoid injury. Sheared steel (particularly pre-galvanized or stainless steel) does have relatively sharp edges and protective gloves must be worn during handling.

### Storage - Depolama

Warehousing of products in roofed and aired premises. Keep away from water! For protection of uncovered places damaged at assembly spray zinc paint is recommended.

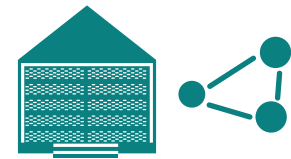


*Ürünler tercihen üstü kapalı ve kuru ortamda depolanmalı, nemli ve ıslak şartlardan uzak tutulmalıdır.*

### Storage Corrosion - Depolama Korozyonu

Wet storage stain (White Rust) is caused by the entrapment of moisture between surfaces of closely packed and poorly ventilated material for an extended period. Wet storage stain is usually superficial, having no affect on the properties of the metal.

Light staining normally disappears with weathering. Medium to heavy build up should be removed in order to allow the formation of normal protective film. Proper handling and storage will help to assure stain-free material. If product arrives wet, it should be unpacked and dried before storage. Dry material should be stored in a well ventilated low moisture" environment to avoid condensation formation.



Outdoor storage is undesirable, and should be avoided whenever possible.

*Islak depolama lekesi (beyaz pas), kötü havalandırılan ve bitişik paketlenen metallerin yüzeylerinde oluşur. Beyaz pas yüzeysel olduğu için malzemenin karakteristiğini etkilemez. Küçük lekeler havalandırınca geçer. Malzeme ıslak ise paketlenmemeli ve kuruması için bekletilmelidir. Kuru ürünler iyi havalandırılmış ve az nemli ortamlarda saklanmalıdır. Dış ortamda depolama tercih edilmemelidir.*

*Ürünlerin açık alanda depolanması önerilmemektedir.*

## Montaj Rehberi

Cable tray system design shall comply with NEC Article 318, NEMA VE 1, and NEMA FG 1, and shall follow safe work practices as described in NFPA 70E. These instructions and information do not intend to cover all details or variations in cable tray systems nor provide for every possible installation contingency.

**Construction Experience**—It is recommended that the work described be performed by qualified persons familiar with standard electrical construction practices, electrical equipment, and safety of electrical wiring systems.

When considering the installation of the cable supports system it is imperative to avoid the cutting or drilling of structural building members without the approval of the project leader on site.

Cable ladders, cable trays, wire mesh cable trays and their supports should be strong enough to meet the load requirements of the cable management system including cables and any future cable additions and any other additional loads applied to the system.

## Cable Tray Supports

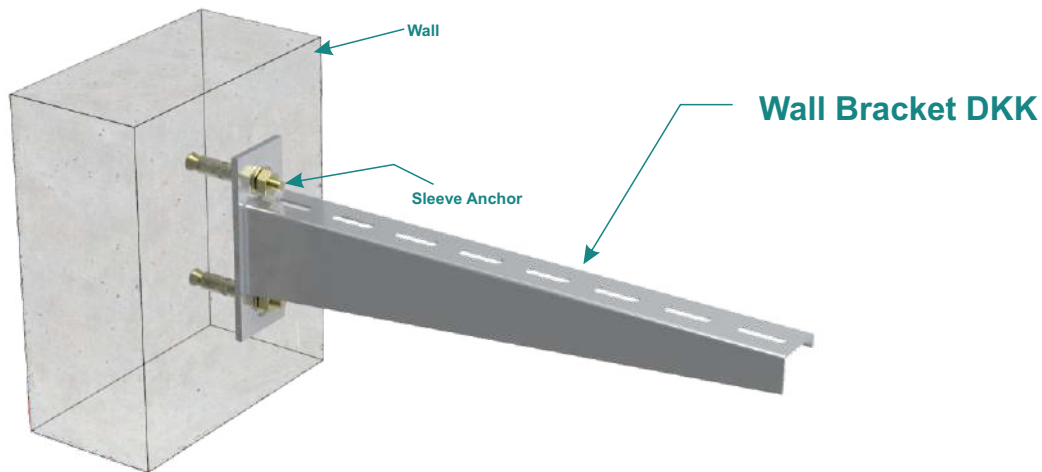
### Destek Sistemleri

Support systems can be broken down into a number of elements or components. To design a safe system it is necessary to check each element in turn to ensure:

- that it can safely support the loads being imposed upon it, and
- that the proposed fixings to adjacent components are also sufficient for the intended load and
- that any declared deflection limits are not exceeded.

## Horizontal Wall and Profile Brackets

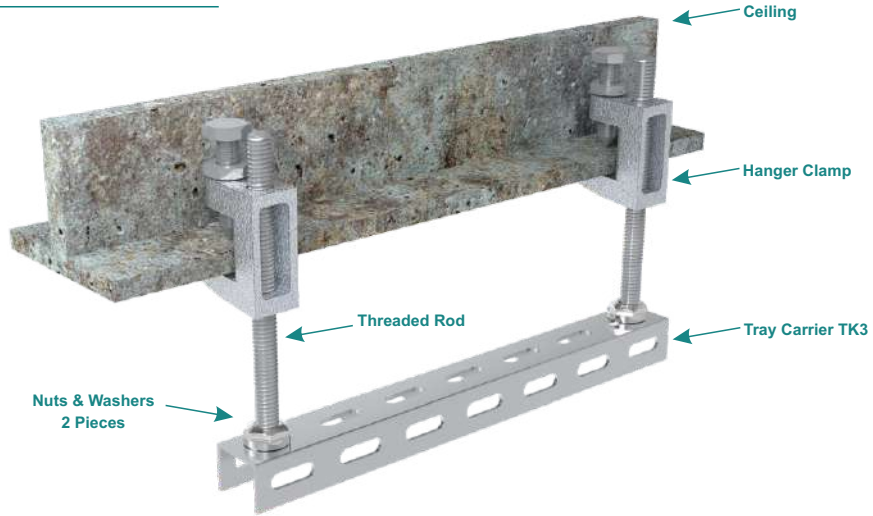
### Duvar Konsollari



## Montaj Rehberi

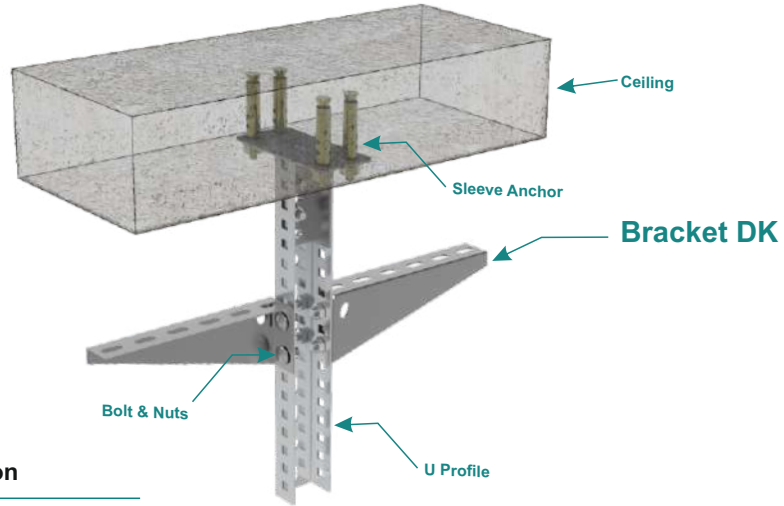
### Threaded Rod

*Tijli Askı Taşıyıcılar*



### U Support, C Support, I Support, L Support

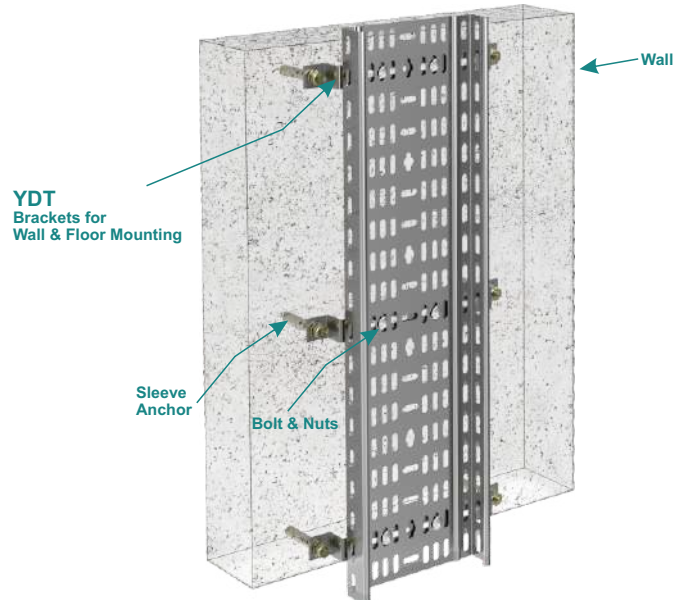
*U,C,L ve L Destek Sistemleri*



### Vertical Wall or Floor Application

*Yere ve Duvara Sabitleme Elemanı*

Cable tray should not be laid exactly on the floor or roof. It should be mounted far enough off the floor or roof to allow the cables to exit through the bottom of the cable tray



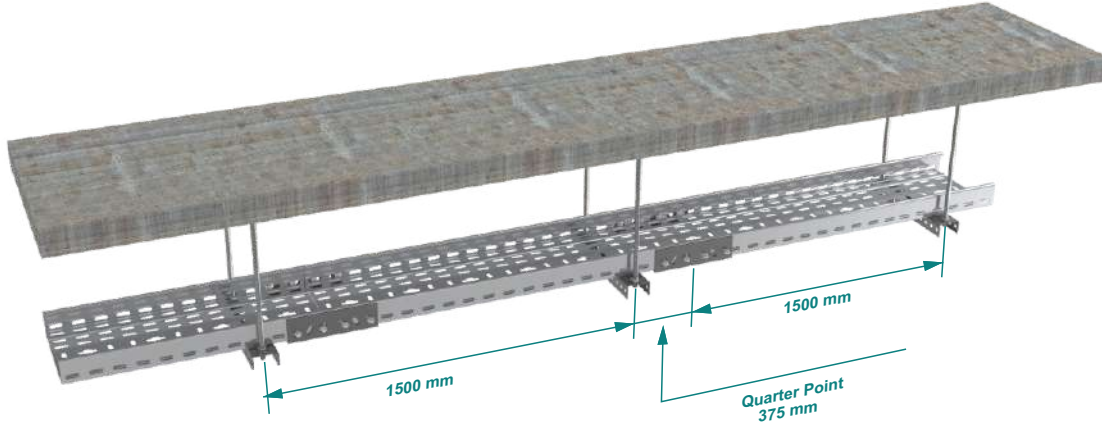


## Montaj Rehberi

### Straight Section Position

#### *Boy Kanalların Uygulaması*

When supports are installed, the installation of the cable tray can begin at any place that is convenient. It is not necessary to start at one end of the run. It is ideal to lay out the system so that tray connectors fall between the support and the quarter point. This maximizes the rigidity of the cable tray.

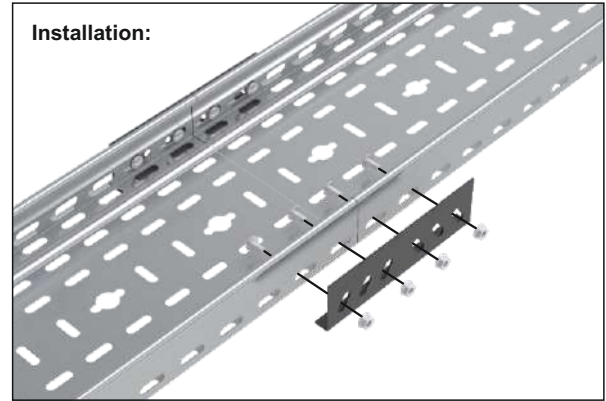


The support span should not be greater than the straight section length to ensure no more than one connector is located between supports. As a general practice, avoid placing connector over supports or at mid-span. However, certain cable tray systems and certain connection plate designs allow for random coupling location.

### Straight connectors (couplers, splice plates)

#### *Birleştirme Ek Elemanı*

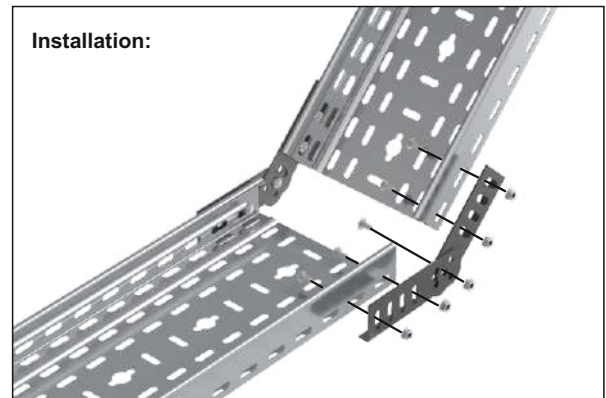
Place the next straight section across the next support, and attach it to the previous section with a pair of connection plates and hardware. Connection plates should be placed on the outside of the cable tray, with the bolt heads on the inside of the cable tray. Metal Cable tray connectors require bonding for electrical continuity. Supports should be located within 600 mm of each side of connection plates.



### Vertical adjustable connectors (splice plates)

#### *Dikey Seviye Değişirme Eki*

For changes in vertical direction not requiring a radius, vertical adjustable connectors can be used. Supports should be located within 600 mm of each side of vertical adjustable connectors.



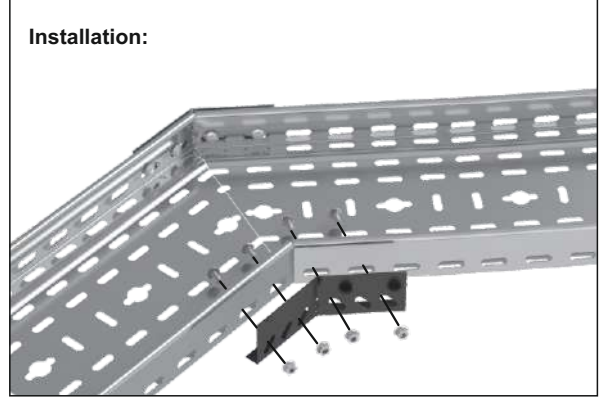


## Montaj Rehberi

### Horizontal Adjustable Connectors (Splice Plates)

#### *Yatay Seviye Deęiřtirme Eki*

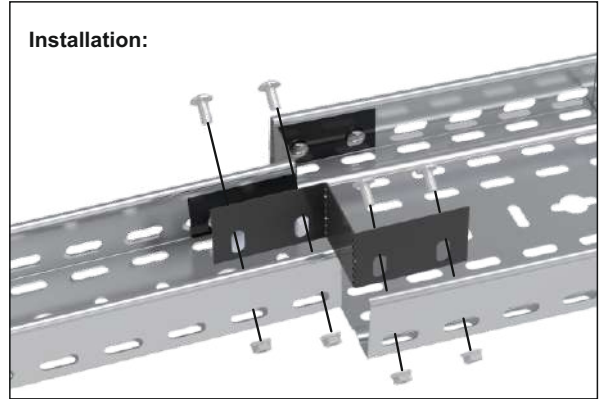
For changes in horizontal direction not requiring a radius, horizontal adjustable connectors can be used. Supports should be located within 600 mm of each side of horizontal adjustable connectors.



### Reducer Connector (Set)

#### *Parçalı Redüksiyon Eki (Takım)*

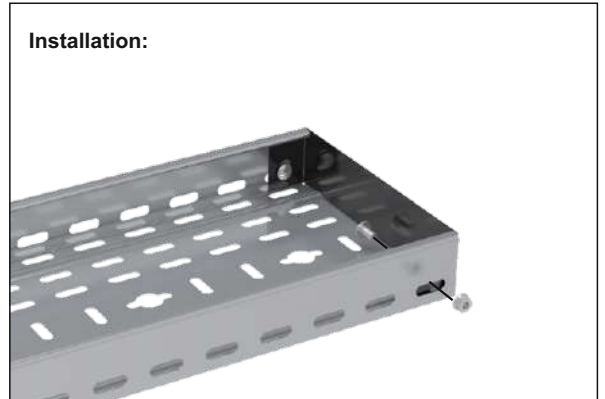
For immediate width changes, use reducing bend or parcial reducer. Supports should be located within 600 mm of each side of reducers.



### Stop Ends (End Plates)

#### *Sonlandırma*

For dead-end closure indicating termination of cable tray run use stop ends.

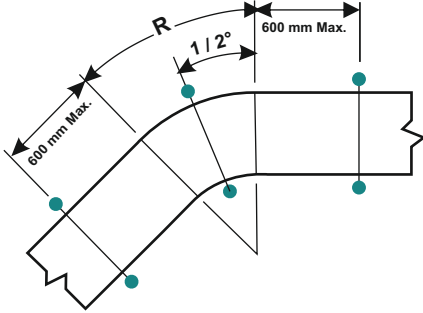


## Montaj Rehberi

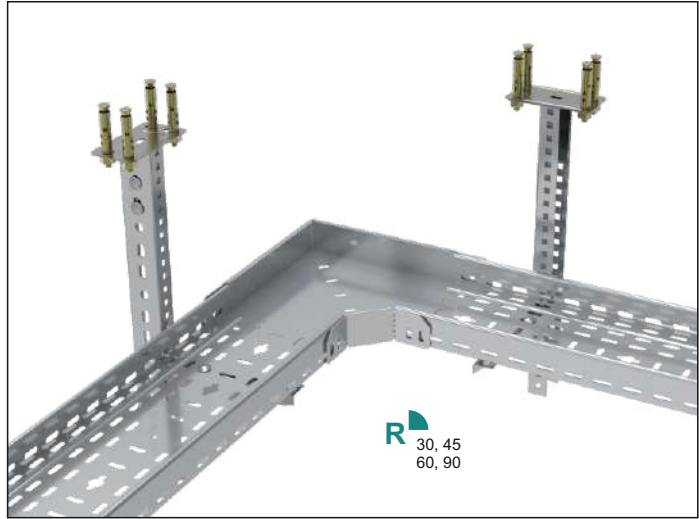
### Horizontal Elbow Support

#### Yatay Dönüş Desteği

Supports for horizontal cable tray fittings should be placed within 600 mm of each fitting extremity, and as follows:



- 90° supports at the 45° point of arc.
- 60° supports at the 30° point of arc.
- 45° supports at the 22-1/2° point of arc (except for the 300 mm radius).
- 30° supports at the 15° point of arc (except for the 300 mm radius).

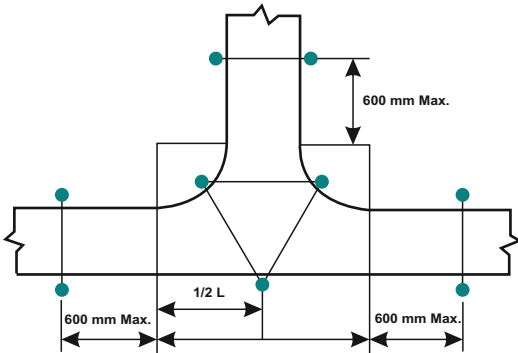


Central support not required on 300mm radius 30° and 45° fittings

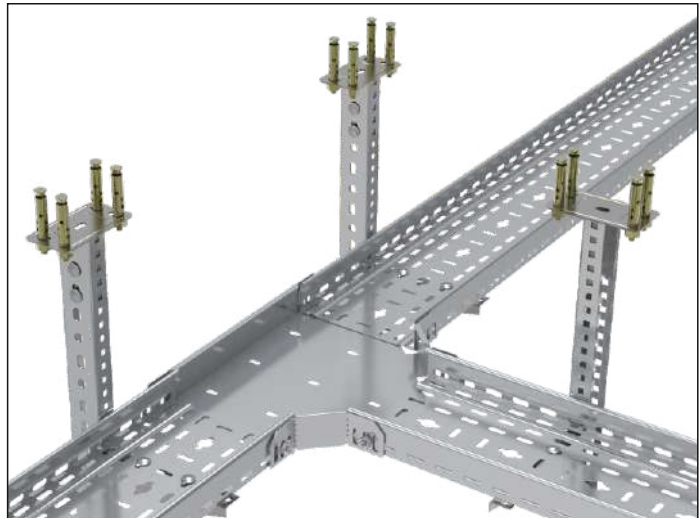
### Horizontal Tee Support

#### T-Dönüş Desteği

Supports for horizontal cable tray fittings should be placed within 600 mm of each fitting extremity, and as follows:



- 90° supports at the 45° point of arc.
- 60° supports at the 30° point of arc.
- 45° supports at the 22-1/2° point of arc (except for the 300 mm radius).
- 30° supports at the 15° point of arc (except for the 300 mm radius).



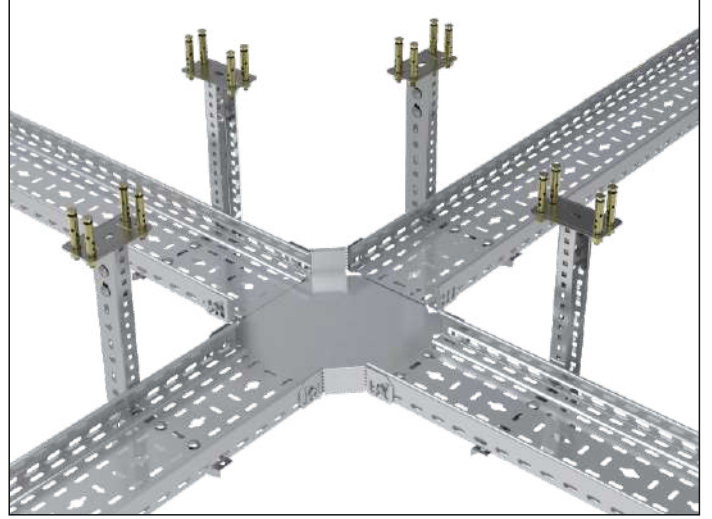
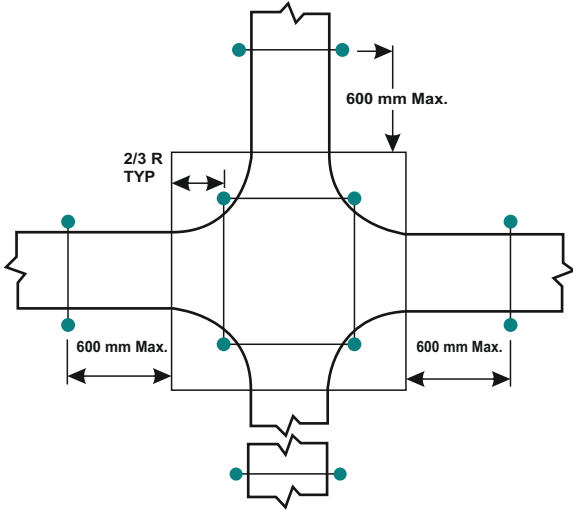
Central support not required on 300mm radius fittings

## Montaj Rehberi

### Horizontal Cross Support

#### Dörtlü Bağlantı Desteği

Place horizontal cross support within 600 mm of each of the four openings connected to other cable tray items for the 300 mm radius. On all other radius, at least one additional support should be placed under each side rail of the horizontal cross, preferably as shown.

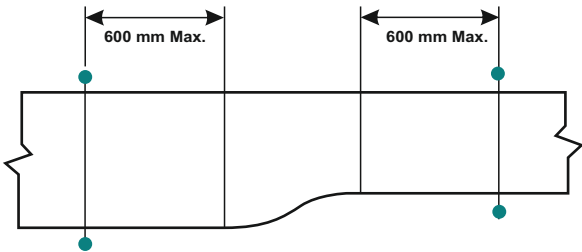


Central support not required on 300mm radius fittings

### Reducer Support

#### Redüksiyon Desteği

Place reducer supports within 600 mm of each fitting extremity.

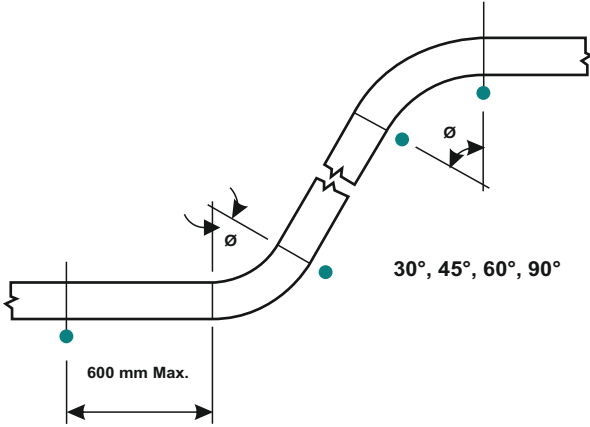


## Montaj Rehberi

### Vertical Cable Tray Elbow

#### İç Dış Bükümlü Desteği

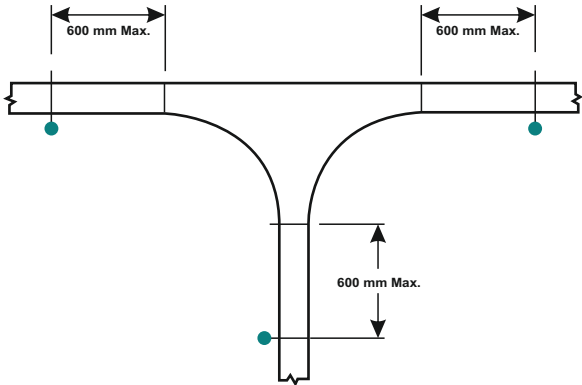
Vertical cable tray elbows at the top of runs should be supported at each end. At the bottom of runs, they should be supported at the top of the elbow and within 600 mm of the lower extremity of the elbows.



### Vertical Cable Tray Tee Support

#### Dikey T Bükümlü Desteği

Vertical cable tray tees should be supported within 600 mm of each fitting extremity.



Side View





## Taşıma Kapasiteleri

## Maximum Loading Capacity of Cable Trays (Support Distance 1,mt)

Kablo Kanallarının Maximum Yükleme Kapasiteleri ( Destek aralığı 1,5 Mt.)

Values Değerler				H=40		H=50		H=60		H=80		H=100	
Width W	Cross-Section mm2 Nominal Kesit, mm2	Overall Diamefer, mm Kablo Dış Çapı, mm	Net Weight Kg/mt Net Ağırlık Kg/mt	Quantities Adet	Tot. Weight Top. Ağırlık	Quantities Adet	Tot. Weight Top. Ağırlık	Quantities Adet	Tot. Weight Top. Ağırlık	Quantities Adet	Tot. Weight Top. Ağırlık	Quantities Adet	Tot. Weight Top. Ağırlık
50	4x1.5	13	0,25	8	2	12	3	12	3				
	4x2.5	14,5	0,33	8	2,64	8	2,64	10	3,3				
	4x4	16,5	0,435	6	2,61	6	2,61	9	3,915				
	4x6	17,5	0,545	5	2,725	6	3,27	7	3,815				
	4x10	19,5	0,745	3	2,235	3	2,235	5	3,725				
	4x16	21,5	1,03	3	3,09	4	4,12	4	4,12				
	4x25	27,5	1,61	1	1,61	2	3,22	2	3,22				
	4x35	30	2,08	1	2,08	1	2,08	2	4,16				
4x50	33	2,69	1	2,69	1	2,69	1	2,69					
100	4x1.5	13	0,25	21	5,25	28	7	33	8,25	42	10,5		
	4x2.5	14,5	0,33	15	4,95	19	6,27	24	7,92	30	9,9		
	4x4	16,5	0,435	12	5,22	18	7,83	19	8,265	25	10,875		
	4x6	17,5	0,545	10	5,45	15	8,175	15	8,175	20	10,9		
	4x10	19,5	0,745	9	6,705	9	6,705	14	10,43	18	13,41		
	4x16	21,5	1,03	7	7,21	8	8,24	11	11,33	12	12,36		
	4x25	27,5	1,61	3	4,83	5	8,05	6	9,66	6	9,66		
	4x35	30	2,08	3	6,24	3	6,24	5	10,4	6	12,48		
4x50	33	2,69	2	5,38	3	8,07	3	8,07	5	13,45			
150	4x1.5	13	0,25	32	8	42	10,5	48	12	63	15,75	84	21
	4x2.5	14,5	0,33	23	7,59	31	10,23	39	12,87	48	15,84	67	22,11
	4x4	16,5	0,435	16	6,96	24	10,44	27	11,745	40	17,4	48	20,88
	4x6	17,5	0,545	15	8,175	22	11,99	24	13,08	32	17,44	48	26,16
	4x10	19,5	0,745	14	10,43	15	11,175	21	15,645	28	20,86	36	26,82
	4x16	21,5	1,03	10	10,3	12	12,36	17	17,51	19	19,57	30	30,9
	4x25	27,5	1,61	5	8,05	5	8,05	9	14,49	9	14,49	18	28,98
	4x35	30	2,08	4	8,32	6	12,48	8	16,64	8	16,64	14	29,12
4x50	33	2,69	4	10,76	4	10,76	6	16,14	8	21,52	11	29,59	
200	4x1.5	13	0,25	44	11	58	14,5	65	16,25	87	21,75	116	29
	4x2.5	14,5	0,33	25	8,25	38	12,54	50	16,5	65	21,45	91	30,03
	4x4	16,5	0,435	23	10,005	33	14,355	33	14,355	55	23,925	66	28,71
	4x6	17,5	0,545	21	11,445	27	14,715	32	17,44	42	22,89	63	34,335
	4x10	19,5	0,745	19	14,155	22	16,39	29	21,605	40	29,8	60	44,7
	4x16	21,5	1,03	13	13,39	17	17,51	22	22,66	26	26,78	43	44,29
	4x25	27,5	1,61	7	11,27	10	16,1	13	20,93	13	20,93	26	41,86
	4x35	30	2,08	6	12,48	8	16,64	11	22,88	12	24,96	18	37,44
4x50	33	2,69	5	13,45	6	16,14	9	24,21	11	29,59	17	45,73	
250	4x1.5	13	0,25	53	13,25	74	18,5	83	20,75	111	27,75	148	37
	4x2.5	14,5	0,33	40	13,2	51	16,83	68	22,44	83	27,39	117	38,61
	4x4	16,5	0,435	29	12,615	44	19,14	47	20,445	73	31,755	87	37,845
	4x6	17,5	0,545	27	14,715	41	22,345	41	22,345	56	30,52	81	44,145
	4x10	19,5	0,745	23	17,135	27	20,115	35	26,075	42	31,29	67	49,915
	4x16	21,5	1,03	16	16,48	20	20,6	27	27,81	33	33,99	55	56,65
	4x25	27,5	1,61	9	14,49	13	20,93	17	27,37	17	27,37	34	54,74
	4x35	30	2,08	8	16,64	10	20,8	15	31,2	15	31,2	23	47,84
4x50	33	2,69	7	18,83	7	18,83	11	29,59	14	37,66	21	56,49	

## Taşıma Kapasiteleri

### Maximum Loading Capacity of Cable Trays (Support Distance 1,mt)

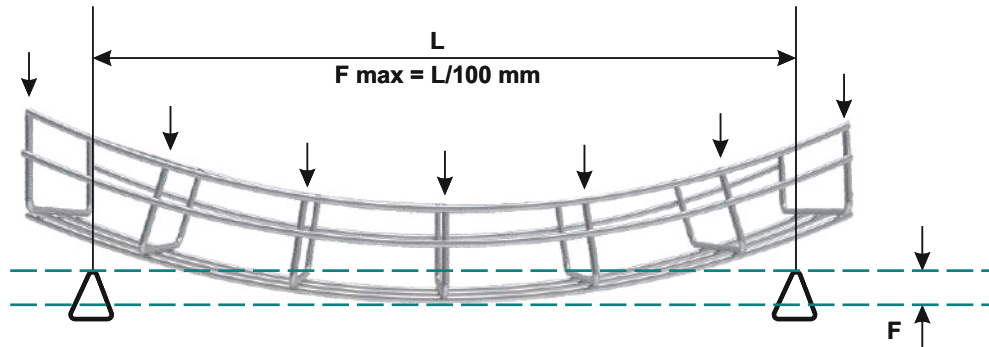
Kablo Kanallarının Maximum Yükleme Kapasiteleri ( Destek aralığı 1,5 Mt.)

Values Değerler				H=40		H=50		H=60		H=80		H=100	
Width W	Cross-Section mm <sup>2</sup> Nominal Kesit, mm <sup>2</sup>	Overall Diameter, mm Kablo Dış Çapı, mm	Net Weight Kg/mt Net Ağırlık Kg/mt	Quantities Adet	Tot. Weight Top. Ağırlık	Quantities Adet	Tot. Weight Top. Ağırlık	Quantities Adet	Tot. Weight Top. Ağırlık	Quantities Adet	Tot. Weight Top. Ağırlık	Quantities Adet	Tot. Weight Top. Ağırlık
300	4x1.5	13	0,25	65	16,25	86	21,5	97	24,25	132	33	176	44
	4x2.5	14,5	0,33	48	15,84	59	19,47	78	25,74	100	33	140	46,2
	4x4	16,5	0,435	36	15,66	53	23,055	58	25,23	87	37,845	94	40,89
	4x6	17,5	0,545	32	17,44	47	25,615	47	25,615	66	35,97	99	53,955
	4x10	19,5	0,745	29	21,605	32	23,84	44	32,78	62	46,19	91	67,795
	4x16	21,5	1,03	20	20,6	26	26,78	38	39,14	39	40,17	65	66,95
	4x25	27,5	1,61	10	16,1	14	22,54	20	32,2	24	38,64	36	57,96
	4x35	30	2,08	9	18,72	12	24,96	18	37,44	18	37,44	29	60,32
	4x50	33	2,69	8	21,52	8	21,52	13	34,97	17	45,73	26	69,94
400	4x1.5	13	0,25	89	22,25	118	29,5	130	32,5	150	37,5	210	52,5
	4x2.5	14,5	0,33	68	22,44	80	26,4	107	35,31	133	43,89	186	61,38
	4x4	16,5	0,435	47	20,445	71	30,885	71	30,885	118	51,33	141	61,335
	4x6	17,5	0,545	41	22,345	65	35,425	65	35,425	88	47,96	132	71,94
	4x10	19,5	0,745	40	29,8	46	34,27	59	43,955	82	61,09	112	83,44
	4x16	21,5	1,03	26	26,78	35	36,05	44	45,32	54	55,62	90	92,7
	4x25	27,5	1,61	14	22,54	19	30,59	28	45,08	32	51,52	56	90,16
	4x35	30	2,08	13	27,04	17	35,36	26	54,08	25	52	38	79,04
	4x50	33	2,69	11	29,59	11	29,59	18	48,42	23	61,87	35	94,15
500	4x1.5	13	0,25	113	28,25	113	28,25	163	40,75	225	56,25	300	75
	4x2.5	14,5	0,33	80	26,4	99	32,67	115	37,95	168	55,44	235	77,55
	4x4	16,5	0,435	57	24,795	87	37,845	93	40,455	118	51,33	177	76,995
	4x6	17,5	0,545	55	29,975	55	29,975	74	40,33	112	61,04	168	91,56
	4x10	19,5	0,745	49	36,505	49	36,505	44	32,78	102	75,99	156	116,22
	4x16	21,5	1,03	35	36,05	44	45,32	54	55,62	68	70,04	113	116,39
	4x25	27,5	1,61	18	28,98	26	41,86	32	51,52	53	85,33	70	112,7
	4x35	30	2,08	16	33,28	20	41,6	14	29,12	32	66,56	48	99,84
	4x50	33	2,69	14	37,66	14	37,66	22	59,18	29	78,01	44	118,36
600	4x1.5	13	0,25	134	33,5	178	44,5	196	49	270	67,5	360	90
	4x2.5	14,5	0,33	98	32,34	116	38,28	155	51,15	203	66,99	284	93,72
	4x4	16,5	0,435	72	31,32	105	45,675	108	46,98	178	77,43	213	92,655
	4x6	17,5	0,545	65	35,425	65	35,425	98	53,41	134	73,03	201	109,545
	4x10	19,5	0,745	58	43,21	58	43,21	88	65,56	126	93,87	158	117,71
	4x16	21,5	1,03	41	42,23	53	54,59	65	66,95	81	83,43	135	139,05
	4x25	27,5	1,61	21	33,81	31	49,91	42	67,62	53	85,33	84	135,24
	4x35	30	2,08	19	39,52	25	52	37	76,96	38	79,04	57	118,56
	4x50	33	2,69	17	45,73	17	45,73	27	72,63	36	96,84	54	145,26

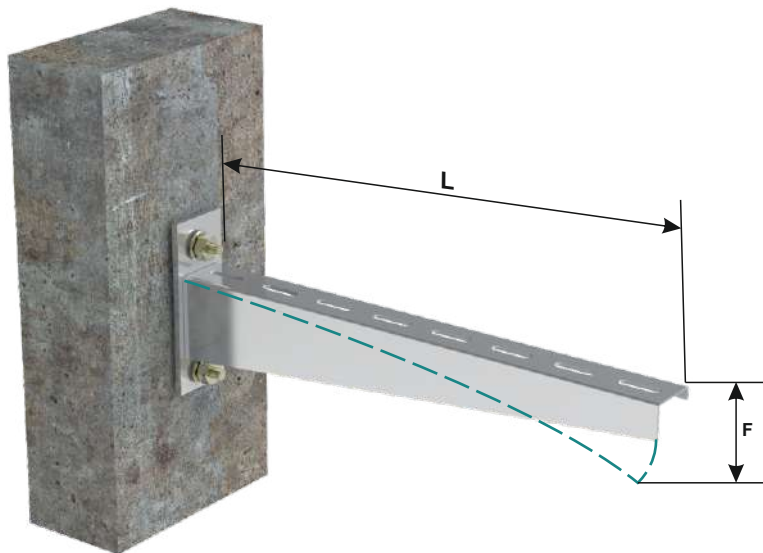
## Teknik Bilgiler

### Tray and support deformation

The weight of cables deforms trays, the most visible point being in the centre between supports. The allowable value (F) of deformation is purely aesthetic, always taking care not to exceed the values indicated by the manufacturer, which, in accordance with international standard EN 61537, should be as follows:

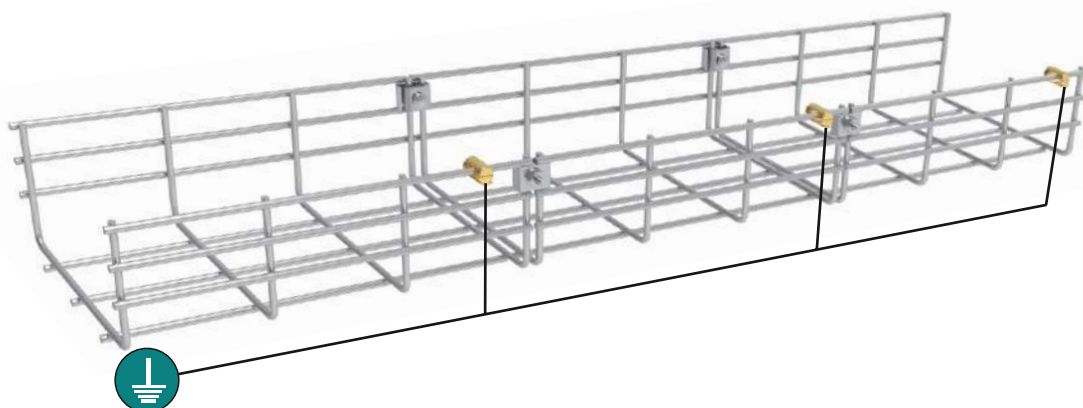


On supports, maximum F deformation and twisting occurs at the ends. The standard requires that the maximum  $F = L/20 \text{ mm}$ . The deformation, F is called deflection, and is expressed in mm.











### Earthing (Electrical continuity)

All metal tray systems must have proper electrical continuity. However, to ensure safety, it is advisable to make an earth connection using a suitable conductor for each part of the system. This cannot be done on painted or epoxy-coated trays without removing the protective layer at that point and at the join-points between the various lengths, which will inevitably lead to oxidation. Without ensuring safety





## Referans Listesi









	<p><b>Project Name:</b> CPC Expansion Project / CPC PS Tengiz &amp; Atyrau Pump Stations (Construction of pipeline 116-204 km pump stations)</p> <p><b>Location /Country:</b> ATYRAU / KAZAKHSTAN</p> <p><b>Year:</b> 2013-2014</p> <p><b>Scope of supply:</b> HDG cable trays &amp; cable ladders</p>
	<p><b>Project Name:</b> Roghun Hydroelectric Power Plant</p> <p><b>Location /Country:</b> ROGUN / TAJIKISTAN</p> <p><b>Year:</b> 2017-2018</p> <p><b>Scope of supply:</b> HDG cable ladders &amp; support systems</p>
	<p><b>Project Name:</b> UNF PROJECT (Ammonia and urea fertiliser plant) by Mitshubishi Heavy Industries Ltd.</p> <p><b>Location /Country:</b> NAVOIY / UZBEKISTAN</p> <p><b>Year:</b> 2018-2019</p> <p><b>Scope of supply:</b> HDG cable ladders , HDG perforated cable trays &amp; earthing materials</p>
	<p><b>Project Name:</b> Caspian Waterfront Project</p> <p><b>Location /Country:</b> BAKU/ AZERBAIJAN</p> <p><b>Year:</b> 2016</p> <p><b>Scope of supply:</b> Cable ladders (HDG), Cable Trays, Wire mesh cable trays &amp; accessories</p>
	<p><b>Project Name:</b> KERNEL, GRAIN SILOS</p> <p><b>Location /Country:</b> UKRAINE</p> <p><b>Year:</b> 2012</p> <p><b>Scope of supply:</b> HDG cable trays</p>
	<p><b>Project Name:</b> MallDova Shopping Mall Project (renovation)</p> <p><b>Location /Country:</b> MOLDOVA</p> <p><b>Year:</b> 2018-2019</p> <p><b>Scope of supply:</b> HDG Cable Trays &amp; PG Cable trays</p>
	<p><b>Project Name:</b> Khurmala oilfield CPS-Amine Stabilizer &amp; Pumps Station</p> <p><b>Location /Country:</b> ERBIL / IRAQ</p> <p><b>Year:</b> 2013-2019</p> <p><b>Scope of supply:</b> HDG cable trays &amp; cable ladders</p>
	<p><b>Project Name:</b> CLEAN FUELS PROJECT 2020 FLUOR PROJECT NO.A2WD (KNPC)</p> <p><b>Location /Country:</b> KUWAIT</p> <p><b>Year:</b> 2016-2018</p> <p><b>Scope of supply:</b> HDG cable trays</p>



# Reference List



## Referans Listesi

	<p><b>Project Name:</b> SPH JV Greenline Elavated Metro Rail Site</p> <p><b>Location /Country:</b> QATAR</p> <p><b>Year:</b> 2018</p> <p><b>Scope of supply:</b> HDG cable trays &amp; steel trunkings</p>
	<p><b>Project Name:</b> GICC ELCOGAS (in Puertollano), SENER SPAIN</p> <p><b>Location /Country:</b> SPAIN</p> <p><b>Year:</b> 2019</p> <p><b>Scope of supply:</b> HDG cable ladders &amp; support systems</p>
	<p><b>Project Name:</b> Mauritius Container Terminal (MCT) Quay Project at Port Louis Harbour</p> <p><b>Location /Country:</b> MAURITIUS</p> <p><b>Year:</b> 2015</p> <p><b>Scope of supply:</b> Perforated cable trays, cable ladders (HDG)</p>
	<p><b>Project Name:</b> Sports Complex of Tizi Ouzou - Algeria</p> <p><b>Location /Country:</b> ALGERIA</p> <p><b>Year:</b> 2015-2016</p> <p><b>Scope of supply:</b> Wire mesh cable trays (HDG)</p>
	<p><b>Project Name:</b> DOLMEN MALL / SIEMENS PAKISTAN</p> <p><b>Location /Country:</b> PAKISTAN</p> <p><b>Year:</b> 2018-2019</p> <p><b>Scope of supply:</b> Perforated cable trays, cable ladders (HDG)</p>
	<p><b>Project Name:</b> Defence Headquarters Complex Project Block 6 &amp; Block 7</p> <p><b>Location /Country:</b> SRI LANKA</p> <p><b>Year:</b> 2015</p> <p><b>Scope of supply:</b> Cable trays &amp; Cable Ladders (HDG)</p>
	<p><b>Project Name:</b> Eco Bank Head Office Project / TOTAL AREA 22.000 M2</p> <p><b>Location /Country:</b> GHANA</p> <p><b>Year:</b> 2015</p> <p><b>Scope of supply:</b> Cable trays &amp; Trunkings, Wire mesh cable trays &amp; Flexible conduits</p>
	<p><b>Project Name:</b> AYL PROJECT TOTAL AREA 43 km2</p> <p><b>Location /Country:</b> AQABA / JORDAN</p> <p><b>Year:</b> 2015</p> <p><b>Scope of supply:</b> HDG Cable trays, GI Cable trunkings &amp; Flexible steel conduits</p>

## Üretim Alanı

### ● Punching - Delme



*Press Punching*



*Cnc Punching*

### ● Steel Forming (Bending) - Sac Şekillendirme (Büküm)



*Roll Forming*



*Cnc Bending*

### ● Welding - Kaynak



*Robot ARC Welding*



*Spot Welding*

### ● Mold Manufacturing - Kalıphane



*Wire Erosion*



*Cnc Milling*



E30 - E90



**metalico**

## Kalite Sertifikaları

**METALICO METAL SAN. TIC. LTD. ŞTİ.**

ORTAKOY ORGANİZE SANAYİ MOR MENEKŞE SOKAK NO:6  
SELİMPAŞA / SİLİVRİ / İSTANBUL

TCS Sıgıncıdırma sistemleri, donatıları ve aksesuarları için Kilitli Yönetim Sistemleri  
is certified by TCS Certificate and applied Quality Management System under the requirements of  
**ISO 9001:2015**

**Tal Kabilatı Metali**  
Ab Kavaklı, C Proje  
Düz ve Sığır

Metalico Cable Management Systems  
Cable Management Systems

**EU Declaration of Conformity**

**Manufacturer :** METALICO METAL SAN. TIC. LTD STI

**Products :** Non perforated Cable Tray (GDK, SDK, ADK series), and Accessories  
Perforated Cable Tray (GPK, SPK, APK series) and Accessories  
Cable Trunkings (TRUG, TRS, TRU series) and Accessories  
Cable Ladders (SKM, PKM, GKM, GZM, UKM series) and Accessories  
Wire Mesh Cable Trays (TOK series) and Accessories  
Support Channels (C channel: C 4144, C 2141; U channel: U 3050)  
All fixing & connecting Units include Bolts & Nuts

Metal, non-flame, CONDUCTIVE -20 C / +105 C temperature between the use of products does not affect the mechanical properties change.

**We are confirming that the equipments writes upside products and product group made in Metalico Metal Company fit to the standards.**

**Standart** IEC 61537:2007

**CE – Directive** 2014/35/EU LOW VOLTAGE DIRECTIVES

**DATE** 04.01.2020

**METALICO METAL SAN. TIC. LTD STI**  
Ortakoy Sanayi Sitesi Mor. Menekşe Sokak No:6 Selimpaşa - İstanbul / TÜRKİYE  
Tel: 00 90 532 580 73 88 Fax: 00 90 212 549 06 87  
[info@metalico.com](mailto:info@metalico.com) [www.metalico.com](http://www.metalico.com)

**metalico**  
CABLE MANAGEMENT SYSTEMS

**TSE**  
TÜRKİYE  
TÜRKİYE  
CERTİFİKASYON

**Belge Numarası**  
SERTİFİKASYON NUMARASI OF LICENCE  
**Belgenin İlk Veriliş Tarihi**  
DATE OF FIRST ISSUE OF LICENCE  
**Belgenin Son Geçerlilik Tarihi**  
LICENCE VALID UNTIL  
**Belge Sahibi Kuruluşun Adı**  
NAME OF THE LICENCE HOLDER  
**Belge Sahibi Kuruluşun Adres**  
ADDRESS OF THE LICENCE HOLDER  
**Üretim Yeri Adı**  
NAME OF THE MANUFACTURING PLANT  
**Üretim Yeri Adresi**  
ADDRESS OF THE MANUFACTURING PLANT  
**İptal Edilen Belge Numarası**  
INDICATION OF SUPERSEDED LICENCE  
**İpsollü Yüzeri İmaratın**  
INDICATING TRADE MARK  
**İlgili Türk Standartları**  
RELATED TURKISH STANDARDS  
**Belge Kapsamı**  
SCOPE OF LICENCE  
CABLE TRAYS AND ACCESSORIES  
SPK XXX XX MODEL USULU, C  
PROPOAGATING OPERATION  
DECLARATION CLASS 5, JANT  
WIDTH FROM 50 mm to 800 mm  
IMPACT RESISTANCE (EN 61537)

**Belge Sahibi Kuruluşun Adı**  
NAME OF THE LICENCE HOLDER  
**Belge Sahibi Kuruluşun Adres**  
ADDRESS OF THE LICENCE HOLDER  
**Üretim Yeri Adı**  
NAME OF THE MANUFACTURING PLANT  
**Üretim Yeri Adresi**  
ADDRESS OF THE MANUFACTURING PLANT  
**İptal Edilen Belge Numarası**  
INDICATION OF SUPERSEDED LICENCE  
**İpsollü Yüzeri İmaratın**  
INDICATING TRADE MARK  
**İlgili Türk Standartları**  
RELATED TURKISH STANDARDS  
**Belge Kapsamı**  
SCOPE OF LICENCE  
CABLE LADDERS AND ACCESSORIES  
SKM XXX XX MODEL HEAVY DUTY CLASS V METAL COATING OPERATION TEMPERATURE RANGES  
RIFRESH 20°C-105°C BASED ON COMPANY'S DECLARATION CLASS 5 (ANTI CORROSION)  
WIDTH FROM 100 mm to 800 mm, HEIGHT FROM 50 mm to 100 mm, THICKNESS FROM 1.50 mm to 2.0 mm,  
IMPACT RESISTANCE (EN 61537)

**10/11/2017**  
AHMET NURİ KARTAL  
MANAGER OF THE TSE İSTANBUL  
CERTIFICATION DEPT.

Kahraman 5/29/2018 2:31:00 PM PAGE 1/001 Fax Server

**KARKA**  
KARKA Elektrik ve Su Hizmetleri A.Ş.  
Technical Affairs - Electricity Projects Department

**Fax**

To: M/s. Larsen & Toubro Ltd. From: Director of Technical Affairs

Attention: Mr. S. Bharathi Kumar Cluster Head - KM 55 Projects Date: 28/05/2019

Fax No: +974 - 4455 1286 Chat Ref: TA/1024/2019

Contract No: GTC/735A/2015 Pages: 1

Qatar Power Transmission System Expansion - Stage T3 - Substations  
Packages: SB, S9, S12, S13, S14, S15, R, S18

**Request for Approval for Supply of Cable Management System for MEP Works (Cable Trays, Trunking, Ladder, Supports & Accessories) - M/s Metalico, Turkey**

With reference to your letter # PH13-1081-5A-CCM-19-0074 dated 13<sup>th</sup> May 2019, regarding your request for approval, please be informed that "M/s Metalico, Turkey" is approved as manufacturer and supply of Cable Trays, Trunking, Ladder, Supports & Accessories for above mentioned contract.

KAHRAMAA, review and approval during  
of the Main Contractor to ensure that the  
d capability to meet the project requirement

**ON KURUMU**  
AGENCY  
Belgeleendirme A.Ş.  
DRU  
TIC. LTD. ŞTİ.  
MOR MENEKŞE SOKAK NO:6 SELİMPAŞA / İSTANBUL / TÜRKİYE

**Belgeleendirme A.Ş.**  
T.C. No:28-02455  
AD-0556-T  
11.09.2018  
RFR18004

**metalico**  
Metalico Sanayi Tic. Ltd. Şti.  
Ortakoy San. Böl. Selimpaşa Mor Menekşe Sk.  
No:6 Zaman İki Selimpaşa - Silivri / İSTANBUL  
Tic. Sic. No: 330265 Silivri V.D.01/810968198

**METALICO METAL SAN. TIC. LTD STI**  
Ortakoy Sanayi Sitesi Mor. Menekşe Sokak No:6 Selimpaşa - İstanbul / TÜRKİYE  
Tel: 00 90 532 580 73 88 Fax: 00 90 212 549 06 87  
[info@metalico.com](mailto:info@metalico.com) [www.metalico.com](http://www.metalico.com)

The test and/or measurement results, the uncertainties (if applicable) with confidence probability and test methods are given on the following pages which are part of this report

Mühür	Tarih	Değer Sorumlusu	Laboratuvar Müdürü
	Date	Person in charge of test	Head of Testing Laboratory
	11.09.2018	Yusuf ÖSTÜNDAG	Ali Bayraktar

Bu rapor, laboratuvarın yazılı test sonuçları ile birlikte teslim edilmektedir.  
This report shall not be reproduced other than in full except with the permission of the laboratory. Testing reports without signature and seal are not valid.

Phone: +902626488562 Fax: +902626488569 E-mail: [turkey@efacts.com](mailto:turkey@efacts.com) Web: [www.efacts.com](http://www.efacts.com)

FRT106/REV00/02.04.2012

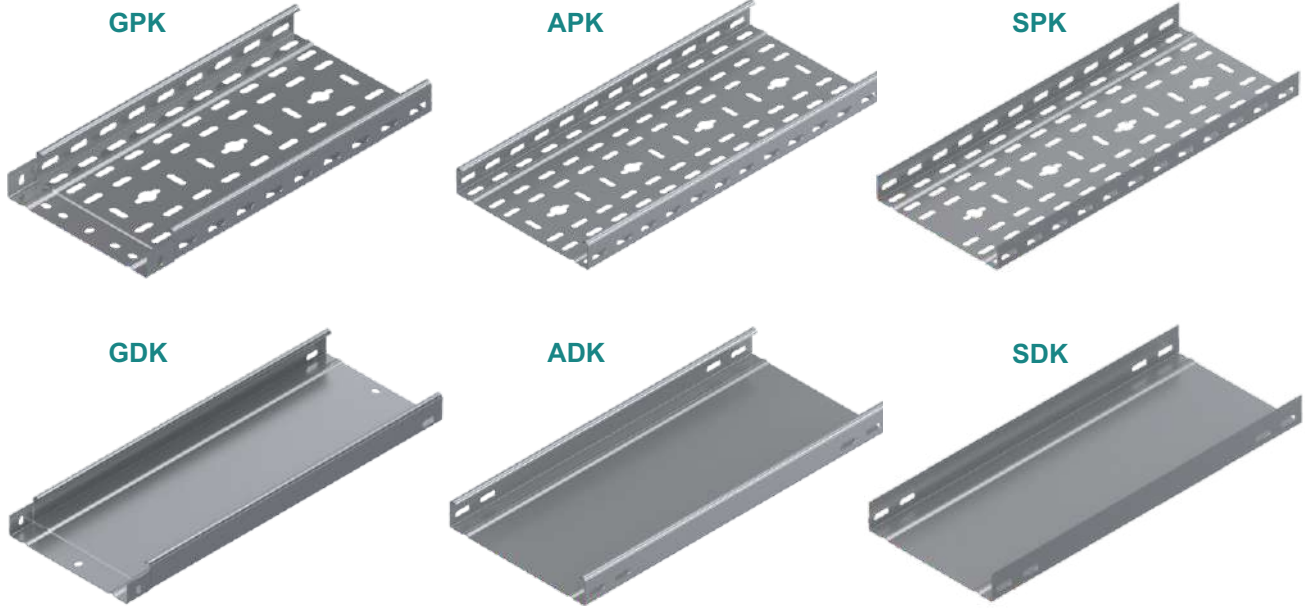
## Cable Tray Systems

Cable Trays Systems – Kablo Kanalı Sistemleri  
Перфорированные и сплошные кабельные лотки



## Cable Trays Systems - Kablo Kanalı Sistemleri

### Перфорированные и сплошные кабельные лотки

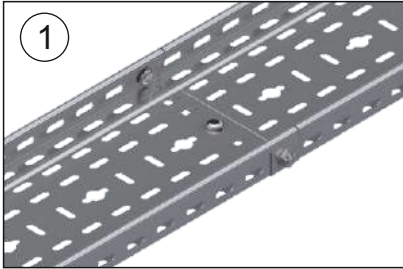


### Accessories

<p>Straight Connector Ek Eleman</p> <p><b>KBE</b></p>	<p>Adjustable Horizontal Connector Yatay Seviye Değiştirme Eki</p> <p><b>BYD</b></p>	<p>Adjustable Vertical Connector Dikey Seviye Değiştirme Eki</p> <p><b>BDD</b></p>	<p>Reducer Connector - Single Type Redüksiyon</p> <p><b>RT</b></p>	<p>Barrier Strip Seperatör</p> <p><b>SEP</b></p>
<p>Stop End Sonlandırma</p> <p><b>SON</b></p>	<p>45° Hor. Cable Tray Bend 45° Yat. Kanal dönüşü</p> <p><b>KA45</b></p>	<p>90° Hor. Cable Tray bend 90° Yat. Kanal dönüşü</p> <p><b>KA90</b></p>	<p>Tee Hor. Cable Tray bend T Kanal dönüşü</p> <p><b>KAT</b></p>	<p>Cross bend cover Dörtlü Kanal dönüşü</p> <p><b>KAD</b></p>
<p>Vertical Inside 90° Cable Tray 90° Dikey İç Bükey Kanal Dönüşü</p> <p><b>KAIB</b></p>	<p>Vertical Outside 90° Cable Tray 90° Dikey Dış Bükey Kanal Dönüşü</p> <p><b>KADB</b></p>	<p>Add on 90° Horizontal Corner Bend 90° Köşe Yatay Kanal Dönüş Eki</p> <p><b>KA90E</b></p>	<p>Add on Tee horizontal Bend T Yatay Kanal Dönüş Eki</p> <p><b>KATE</b></p>	<p>Round Head Bolt &amp; Nut Kanal Civata - Somun</p> <p><b>CFS</b></p>

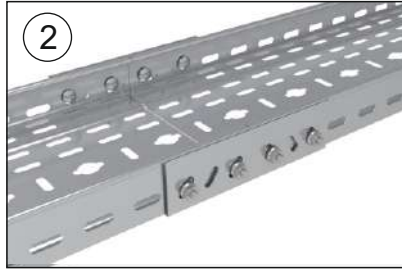
## Installation Examples

**Application Example of GPK**



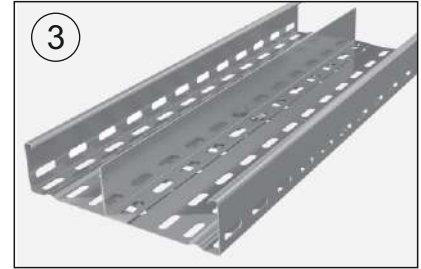
To install cable tray - straight use Screw Sets CFS M6 or CFS M8

**Application Example of KBE**



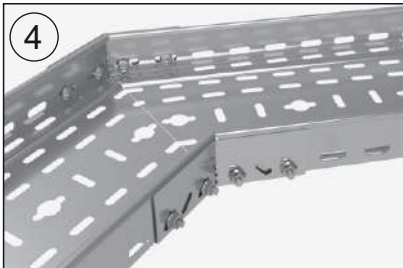
To install cable tray - straight use 2 pieces of KBE and CFS bolts and nuts (M6 or M8)

**Application Example of SEP**



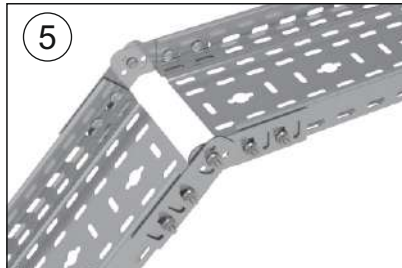
To install cable tray - straight use Screw Sets CFS M6 or CFS M8

**Application Example of BYD**



To install cable tray - straight use Screw Sets CFS M6 or CFS M8

**Application Example of BDD**



To install cable tray - straight use Screw Sets CFS M6 or CFS M8

**Application Example of RT**



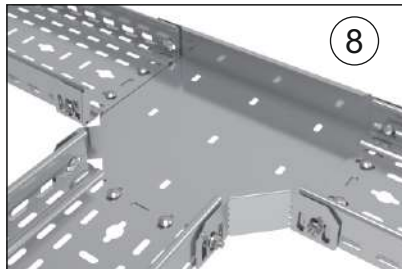
To install cable tray - straight use Screw Sets CFS M6 or CFS M8

**Application Example of KA90**



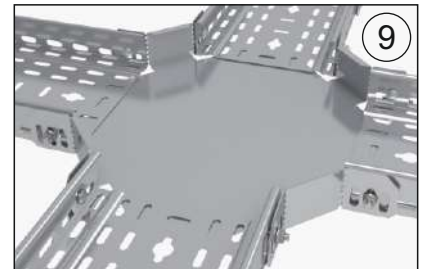
To install cable tray - straight use Screw Sets CFS M6 or CFS M8

**Application Example of KAT**



To install cable tray - straight use Screw Sets CFS M6 or CFS M8

**Application Example of KAD**



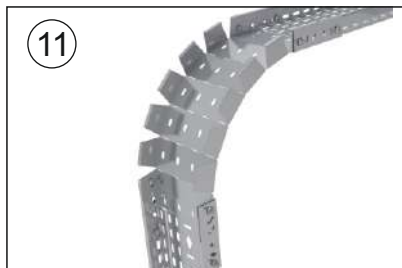
To install cable tray - straight use Screw Sets CFS M6 or CFS M8

**Application Example of KAIB**



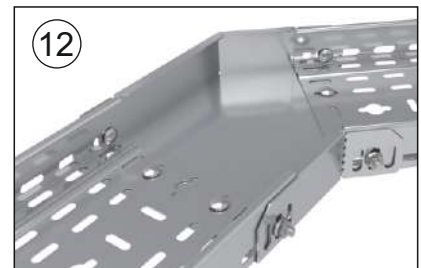
To install cable tray - straight use 2 pieces of KBE and CFS bolts and nuts (M6 or M8)

**Application Example of KADB**



To install cable tray - straight use 2 pieces of KBE and CFS bolts and nuts (M6 or M8)

**Application Example of KA45**



To install cable tray - straight use Screw Sets CFS M6 or CFS M8

**Application Example of SON**



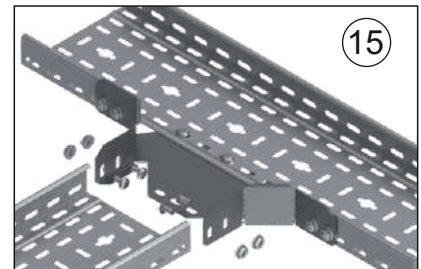
To install cable tray - straight use Screw Sets CFS M6 or CFS M8

**Application Example of KA90E**



To install cable tray - straight use Screw Sets CFS M6 or CFS M8

**Application Example of KATE**

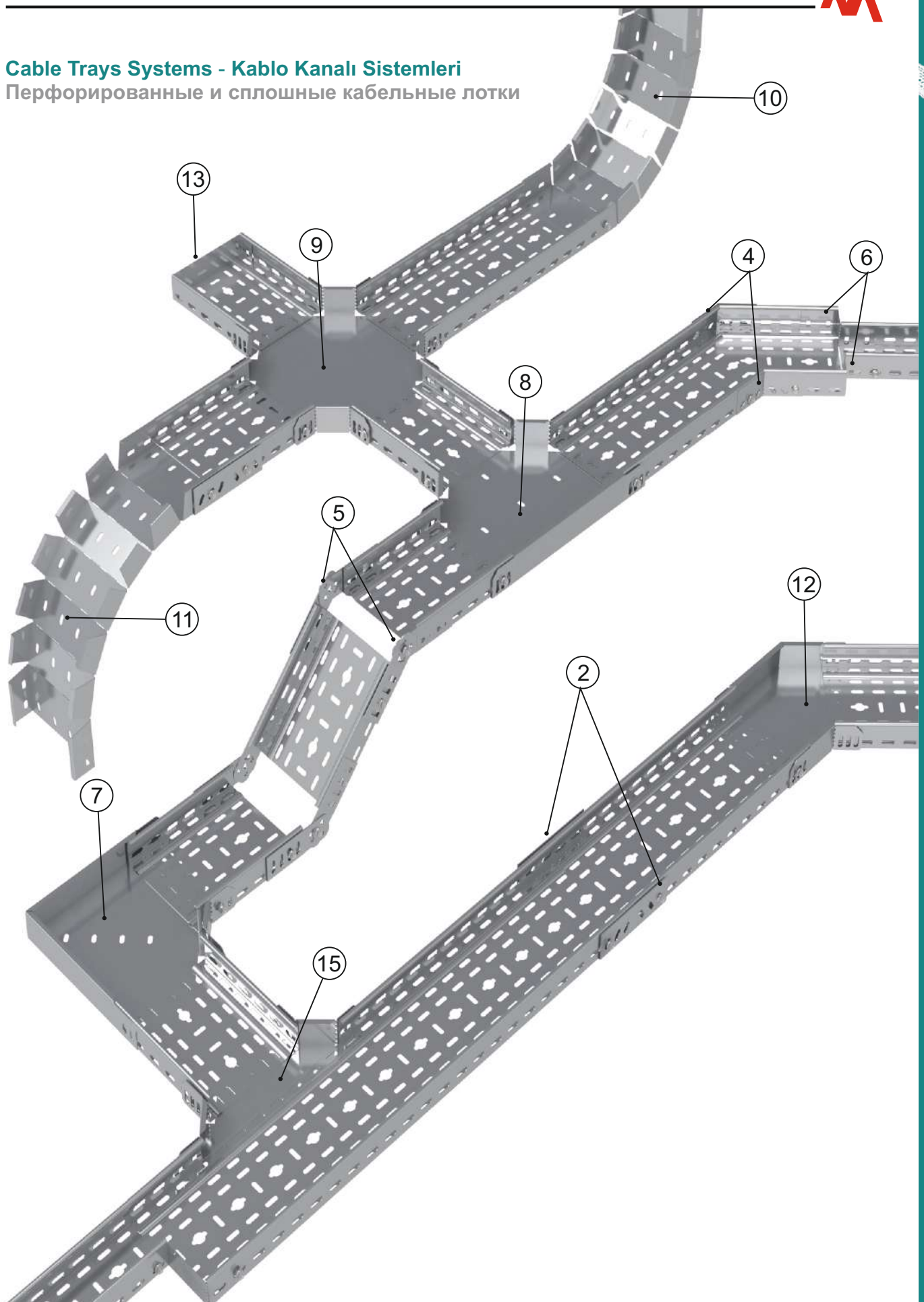


To install cable tray - straight use Screw Sets CFS M6 or CFS M8



## Cable Trays Systems - Kablo Kanalı Sistemleri

Перфорированные и сплошные кабельные лотки



## Perforated Cable Trays - Without Return Flanges

Standart Kablo Kanali - Перфорированные лотки



**Important!**  
Joining cable tray sections together only through the use of couplers 2 pcs for 1 Length  
To install cable tray - straight use Screw Sets CFS M6 or CFS M8

### Pre - Galvanised

SPK ... H40		0.6mm			
CODE	Width a mm	Length L mm	KG 1 mt	pcs	
SPK 405 06 PG	50	3000	0.52	2	
SPK 407 06 PG	75	3000	0.62	2	
SPK 410 06 PG	100	3000	0.72	2	
SPK 412 06 PG	125	3000	0.88	2	
SPK 415 06 PG	150	3000	0.92	2	
SPK 420 06 PG	200	3000	1.12	2	
		0.8mm			
SPK 405 08 PG	50	3000	0.69	2	
SPK 407 08 PG	75	3000	0.83	2	
SPK 410 08 PG	100	3000	0.96	2	
SPK 412 08 PG	125	3000	1.17	2	
SPK 415 08 PG	150	3000	1.23	2	
SPK 420 08 PG	200	3000	1.49	2	
SPK 422 08 PG	225	3000	1.71	2	
SPK 425 08 PG	250	3000	1.76	2	
SPK 430 08 PG	300	3000	2.03	2	
		1.0mm			
SPK 405 10 PG	50	3000	0.87	2	
SPK 407 10 PG	75	3000	1.03	2	
SPK 410 10 PG	100	3000	1.20	2	
SPK 412 10 PG	125	3000	1.47	2	
SPK 415 10 PG	150	3000	1.53	2	
SPK 420 10 PG	200	3000	1.76	2	
SPK 422 10 PG	225	3000	2.01	2	
SPK 425 10 PG	250	3000	2.07	2	
SPK 430 10 PG	300	3000	2.39	2	
SPK 440 10 PG	400	3000	3.01	2	

SPK ... H40		1.2mm			
CODE	Width a mm	Length L mm	KG 1 mt	pcs	
SPK 405 12 PG	50	3000	1.04	2	
SPK 407 12 PG	75	3000	1.24	2	
SPK 410 12 PG	100	3000	1.44	2	
SPK 412 12 PG	125	3000	1.76	2	
SPK 415 12 PG	150	3000	1.84	2	
SPK 420 12 PG	200	3000	2.11	2	
SPK 422 12 PG	225	3000	2.41	2	
SPK 425 12 PG	250	3000	2.49	2	
SPK 430 12 PG	300	3000	2.86	2	
SPK 440 12 PG	400	3000	3.62	2	
SPK 445 12 PG	450	3000	3.99	2	
SPK 450 12 PG	500	3000	4.37	2	
SPK 460 12 PG	600	3000	5.12	2	
		1.5mm			
SPK 405 15 PG	50	3000	1.30	2	
SPK 407 15 PG	75	3000	1.55	2	
SPK 410 15 PG	100	3000	1.80	2	
SPK 412 15 PG	125	3000	2.20	2	
SPK 415 15 PG	150	3000	2.30	2	
SPK 420 15 PG	200	3000	2.64	2	
SPK 422 15 PG	225	3000	3.01	2	
SPK 425 15 PG	250	3000	3.11	2	
SPK 430 15 PG	300	3000	3.58	2	
SPK 440 15 PG	400	3000	4.52	2	
SPK 445 15 PG	450	3000	4.99	2	
SPK 450 15 PG	500	3000	5.46	2	
SPK 460 15 PG	600	3000	6.41	2	

## Straight Connector

Birleştirme Elemanı - Прямой соединитель



To Install one length ;use 2 pieces of KBE connector 8 sets of CFS bolts and nuts. ( M6 or M8 )

### Pre - Galvanised

KBE 2 ... H40		1.2mm			
CODE	Length L mm	KG 1pc	pcs		
KBE 240 12 PG	175	0.08	100		

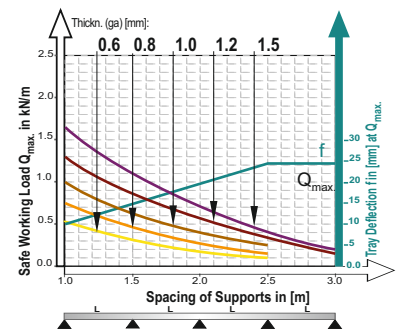
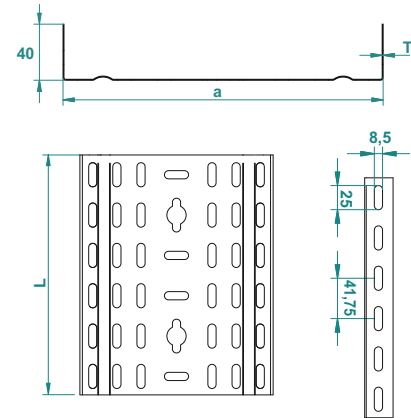
KBE 2 ... H40		1.5mm			
CODE	Length L mm	KG 1pc	pcs		
KBE 240 15 PG	175	0.1	100		

### Electro - Galvanised

CFS M6		M6			
CODE	Size mm	Length L mm	KG 1Set	pcs	In Box
CFS M6 EG	M6	15	0.008	500	

CFS M8		M8			
CODE	Size mm	Length L mm	KG 1Set	pcs	In Box
CFS M8 EG	M8	15	0.014	500	

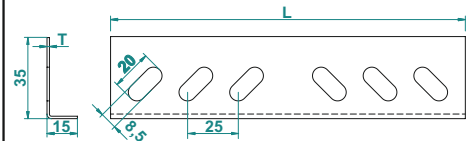
## SPK H40



This diagram comply with IEC 61537 with connection to 1/5 of the span and the end span =0,8x the span  
Q = max. admissible load (kg/m)  
L = support distance (m)  
f = Deflection (mm) / Max. deflection = L/100  
Safely co-efficient = 1.5

Width	Usable Cross-Section
50	20 cm <sup>2</sup>
100	40 cm <sup>2</sup>
150	60 cm <sup>2</sup>
200	80 cm <sup>2</sup>
300	120 cm <sup>2</sup>
400	160 cm <sup>2</sup>
500	200 cm <sup>2</sup>
600	240 cm <sup>2</sup>

## KBE 2



M6x15 Round head squire neck bolt & M6 Flanged nut



## APPLICATIONS

Cable routing

## MATERIAL

Steel, strip-galv. acc. to the Sendzimir method to TS-EN 10346:2011 (PG)

Available finishes:

HDG-steel, hot-dip galv. to TS-EN ISO 1461:2011 (HDG)  
SS- stainless steel AISI 304L and AISI 316L (SS)  
EP- powder coating in a full range of colours (RAL)

Thickn. (ga) [mm]: **0.6 0.8 1.0 1.2 1.5**

## Non - Perforated Cable Trays - Without Return Flanges

Standart Deliksiz Kablo Kanalı - Сплошные лотки



Important!  
Joining cable tray sections together only through the use of couplers 2 pcs for 1 Length  
To install cable tray - straight use Screw Sets CFS M6 or CFS M8

### Pre - Galvanised

SDK ... H40		0.6mm		
CODE	Width a mm	Length L mm	KG 1 mt	pcs
SDK 405 06 PG	50	3000	0.61	2
SDK 407 06 PG	75	3000	0.73	2
SDK 410 06 PG	100	3000	0.85	2
SDK 412 06 PG	125	3000	1.04	2
SDK 415 06 PG	150	3000	1.08	2
SDK 420 06 PG	200	3000	1.32	2
		0.8mm		
SDK 405 08 PG	50	3000	0.82	2
SDK 407 08 PG	75	3000	0.97	2
SDK 410 08 PG	100	3000	1.13	2
SDK 412 08 PG	125	3000	1.38	2
SDK 415 08 PG	150	3000	1.44	2
SDK 420 08 PG	200	3000	1.76	2
SDK 422 08 PG	225	3000	2.01	2
SDK 425 08 PG	250	3000	2.07	2
SDK 430 08 PG	300	3000	2.39	2
		1.0mm		
SDK 405 10 PG	50	3000	1.02	2
SDK 407 10 PG	75	3000	1.22	2
SDK 410 10 PG	100	3000	1.41	2
SDK 412 10 PG	125	3000	1.73	2
SDK 415 10 PG	150	3000	1.81	2
SDK 420 10 PG	200	3000	2.20	2
SDK 422 10 PG	225	3000	2.51	2
SDK 425 10 PG	250	3000	2.59	2
SDK 430 10 PG	300	3000	2.98	2
SDK 440 10 PG	400	3000	3.77	2

SDK ... H40		1.2mm		
CODE	Width a mm	Length L mm	KG 1 mt	pcs
SDK 405 12 PG	50	3000	1.22	2
SDK 407 12 PG	75	3000	1.46	2
SDK 410 12 PG	100	3000	1.70	2
SDK 412 12 PG	125	3000	2.07	2
SDK 415 12 PG	150	3000	2.17	2
SDK 420 12 PG	200	3000	2.64	2
SDK 422 12 PG	225	3000	3.01	2
SDK 425 12 PG	250	3000	3.11	2
SDK 430 12 PG	300	3000	3.58	2
SDK 440 12 PG	400	3000	4.52	2
SDK 445 12 PG	450	3000	4.99	2
SDK 450 12 PG	500	3000	5.46	2
SDK 460 12 PG	600	3000	6.41	2
		1.5mm		
SDK 405 15 PG	50	3000	1.53	2
SDK 407 15 PG	75	3000	1.83	2
SDK 410 15 PG	100	3000	2.12	2
SDK 412 15 PG	125	3000	2.59	2
SDK 415 15 PG	150	3000	2.71	2
SDK 420 15 PG	200	3000	3.30	2
SDK 422 15 PG	225	3000	3.77	2
SDK 425 15 PG	250	3000	3.89	2
SDK 430 15 PG	300	3000	4.47	2
SDK 440 15 PG	400	3000	5.65	2
SDK 445 15 PG	450	3000	6.24	2
SDK 450 15 PG	500	3000	6.83	2
SDK 460 15 PG	600	3000	8.01	2

## Seperator

Seperator - Перегородка



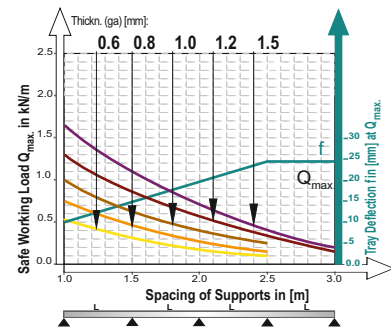
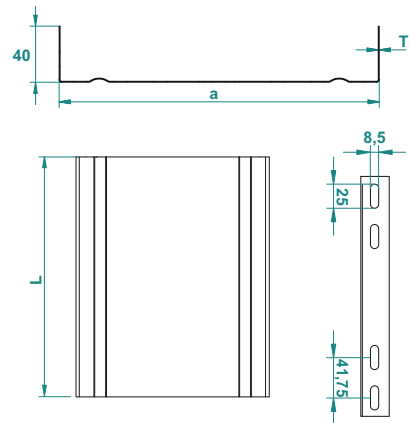
To Install Seperator use CFS bolts and nuts. ( M6 or M8 )

### Pre - Galvanised

SEP 1 ... H40		1.0mm	
CODE	Length L mm	KG 1 pc	pcs
SEP 140 10 PG	3000	0.43	1

SEP 1 ... H40		1.5mm	
CODE	Length L mm	KG 1 pc	pcs
SEP 140 15 PG	3000	0.64	1

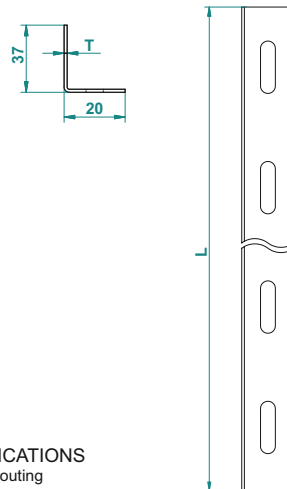
## SDK H40



This diagram comply with IEC 61537 with connection to 1/5 of the span and the end span = 0,8x the span  
Q = max. admissible load (kg/m)  
L = support distance (m)  
f = Deflection (mm) / Max. deflection = L/100  
Safety co-efficient = 1.5

Width	Usable Cross-Section
50	20 cm <sup>2</sup>
100	40 cm <sup>2</sup>
150	60 cm <sup>2</sup>
200	80 cm <sup>2</sup>
300	120 cm <sup>2</sup>
400	160 cm <sup>2</sup>
500	200 cm <sup>2</sup>
600	240 cm <sup>2</sup>

## SEP 1 H40



APPLICATIONS  
Cable routing

MATERIAL  
Steel, strip-galv. acc. to the Sendzimir method to TS-EN 10346:2011 (PG)

Available finishes:  
HDG-steel, hot-dip galv. to TS-EN ISO 1461:2011 (HDG)  
SS- stainless steel AISI 304L and AISI 316L (SS)  
EP- powder coating in a full range of colours (RAL)

Thickn. (ga) [mm]: **0.6 0.8 1.0 1.2 1.5**

## Vertical Outside Bend of Cable Tray (Flexible)

Kanal Dış Büküye - Арка универсальная, внешний изгиб



Pre - Galvanised

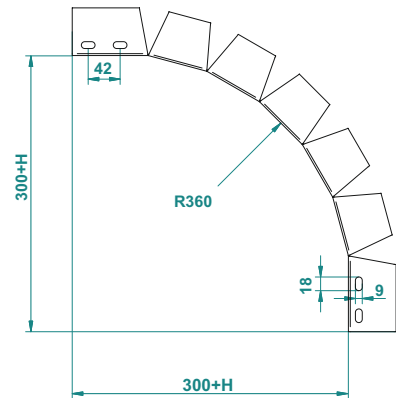
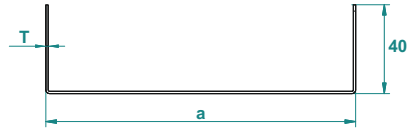
KDB ... H40		1.0mm		
CODE	Width a mm	Length L mm	kg 1 mt	pcs
KDB 405 10 PG	50	600	0.5	1
KDB 407 10 PG	75	600	0.61	1
KDB 410 10 PG	100	600	0.7	1
KDB 412 10 PG	125	600	0.8	1
KDB 415 10 PG	150	600	0.9	1
KDB 420 10 PG	200	600	1.1	1
KDB 422 10 PG	225	600	1.19	1
KDB 425 10 PG	250	600	1.29	1
		1.2mm		
KDB 430 12 PG	300	600	1.78	1
KDB 440 12 PG	400	600	2.7	1
KDB 445 12 PG	450	600	2.99	1
KDB 450 12 PG	500	600	3.27	1
KDB 460 12 PG	600	600	3.84	1

Important!

To install vertical bend - use 2 pieces of KBE connectors and 4 sets of CFS bolts and nuts (M6 or M8).

KDB ... H40		1.5mm		
CODE	Width a mm	Length L mm	kg 1 mt	pcs
KDB 405 15 PG	50	600	0.75	1
KDB 407 15 PG	75	600	0.9	1
KDB 410 15 PG	100	600	1.05	1
KDB 412 15 PG	125	600	1.19	1
KDB 415 15 PG	150	600	1.34	1
KDB 420 15 PG	200	600	1.63	1
KDB 422 15 PG	225	600	1.78	1
KDB 425 15 PG	250	600	1.93	1
KDB 430 15 PG	300	600	2.22	1
KDB 440 15 PG	400	600	3.38	1
KDB 445 15 PG	450	600	3.73	1
KDB 450 15 PG	500	600	4.08	1
KDB 460 15 PG	600	600	4.78	1

### KDB H40



KDB and KIB are the same items, shipped flat. To install - Bend manually during application. in Flat Length = 600mm

## Vertical Inside Bend of Cable Tray (Flexible)

Kanal İç Büküye- Арка универсальная, внутренний изгиб



Pre - Galvanised

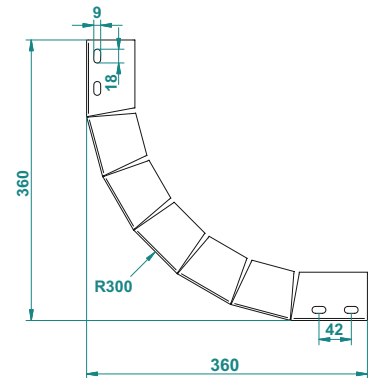
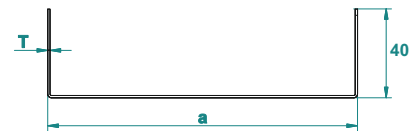
KIB ... H40		1.0mm		
CODE	Width a mm	Length L mm	kg 1 pc	pcs
KIB 405 10 PG	50	600	0.5	1
KIB 407 10 PG	75	600	0.61	1
KIB 410 10 PG	100	600	0.7	1
KIB 412 10 PG	125	600	0.8	1
KIB 415 10 PG	150	600	0.9	1
KIB 420 10 PG	200	600	1.1	1
KIB 422 10 PG	225	600	1.19	1
KIB 425 10 PG	250	600	1.29	1
		1.2mm		
KIB 430 12 PG	300	600	1.78	1
KIB 440 12 PG	400	600	2.7	1
KIB 445 12 PG	450	600	2.99	1
KIB 450 12 PG	500	600	3.27	1
KIB 460 12 PG	600	600	3.84	1

Important!

To install vertical bend - use 2 pieces of KBE connectors and 4 sets of CFS bolts and nuts (M6 or M8).

KIB ... H40		1.5mm		
CODE	Width a mm	Length L mm	kg 1 pc	pcs
KIB 405 15 PG	50	600	0.75	1
KIB 407 15 PG	75	600	0.9	1
KIB 410 15 PG	100	600	1.05	1
KIB 412 15 PG	125	600	1.19	1
KIB 415 15 PG	150	600	1.34	1
KIB 420 15 PG	200	600	1.63	1
KIB 422 15 PG	225	600	1.78	1
KIB 425 15 PG	250	600	1.93	1
KIB 430 15 PG	300	600	2.22	1
KIB 440 15 PG	400	600	3.38	1
KIB 445 15 PG	450	600	3.73	1
KIB 450 15 PG	500	600	4.08	1
KIB 460 15 PG	600	600	4.78	1

### KIB H40



KDB and KIB are the same items, shipped flat. To install - Bend manually during application. in Flat Length = 600mm

### APPLICATIONS

Cable routing

### MATERIAL

Steel, strip-galv. acc. to the Sendzimir method to TS-EN 10346:2011 (PG)

Available finishes:

HDG-steel, hot-dip galv. to TS-EN ISO 1461:2011 (HDG)  
SS- stainless steel AISI 304L and AISI 316L (SS)  
EP- powder coating in a full range of colours (RAL)

Thickn. (ga) [mm]: **0.6 0.8 1.0 1.2 1.5**

## 90° Horizontal Bend Of Cable Tray

90° Yatay Dönüş Elemanı - Угол горизонтальный 90°



Pre - Galvanised

Important!  
To install cable tray - bend use Screw Sets CFS M6 or CFS M8

K90 ... H40		1.0mm	
CODE	Width a=b mm	kg 1 pc	pcs
K90 405 10 PG	50	0.2	1
K90 407 10 PG	75	0.26	1
K90 410 10 PG	100	0.41	1
K90 412 10 PG	125	0.5	1
K90 415 10 PG	150	0.58	1
K90 420 10 PG	200	0.79	1
K90 422 10 PG	225	0.9	1
K90 425 10 PG	250	1.03	1
		1.2mm	
K90 430 12 PG	300	1.66	1
K90 440 12 PG	400	2.45	1
K90 445 12 PG	450	2.9	1
K90 450 12 PG	500	3.38	1
K90 460 12 PG	600	4.47	1

K90 ... H40		1.5mm	
CODE	Width a=b mm	kg 1 pc	pcs
K90 405 15 PG	50	0.3	1
K90 407 15 PG	75	0.39	1
K90 410 15 PG	100	0.62	1
K90 412 15 PG	125	0.74	1
K90 415 15 PG	150	0.88	1
K90 420 15 PG	200	1.18	1
K90 422 15 PG	225	1.36	1
K90 425 15 PG	250	1.54	1
K90 430 15 PG	300	2.08	1
K90 440 15 PG	400	3.06	1
K90 445 15 PG	450	3.62	1
K90 450 15 PG	500	4.23	1
K90 460 15 PG	600	5.58	1

## 45° Horizontal Bend Of Cable Tray

45° Yatay Kanal Dönüş Elemanı - Угол горизонтальный 45°



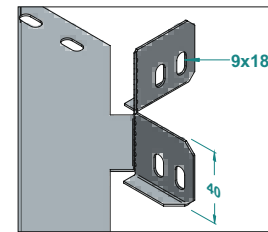
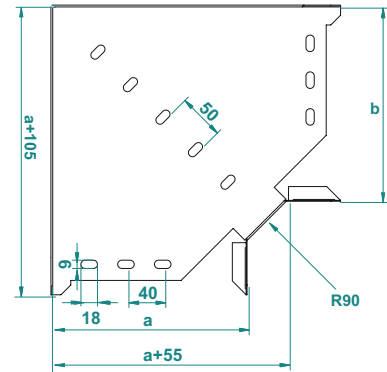
Pre - Galvanised

Important!  
To install cable tray - bend use Screw Sets CFS M6 or CFS M8

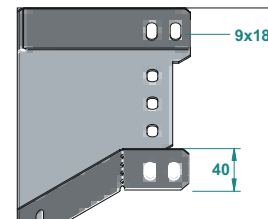
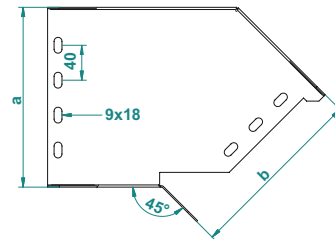
K45 ... H40		1.0mm	
CODE	Width a=b mm	kg 1 pc	pcs
K45 405 10 PG	50	0.20	1
K45 407 10 PG	75	0.26	1
K45 410 10 PG	100	0.34	1
K45 412 10 PG	125	0.45	1
K45 415 10 PG	150	0.54	1
K45 420 10 PG	200	0.74	1
K45 422 10 PG	225	0.86	1
K45 425 10 PG	250	0.98	1
		1.2mm	
K45 430 12 PG	300	1.49	1
K45 440 12 PG	400	2.24	1
K45 445 12 PG	450	2.68	1
K45 450 12 PG	500	3.14	1
K45 460 12 PG	600	4.20	1

K45 ... H40		1.5mm	
CODE	Width a=b mm	kg 1 pc	pcs
K45 405 15 PG	50	0.30	1
K45 407 15 PG	75	0.39	1
K45 410 15 PG	100	0.50	1
K45 412 15 PG	125	0.66	1
K45 415 15 PG	150	0.80	1
K45 420 15 PG	200	1.10	1
K45 422 15 PG	225	1.28	1
K45 425 15 PG	250	1.46	1
K45 430 15 PG	300	1.86	1
K45 440 15 PG	400	2.80	1
K45 445 15 PG	450	3.34	1
K45 450 15 PG	500	3.94	1
K45 460 15 PG	600	5.26	1

### K90 H40



### K45 H40



### APPLICATIONS

Cable routing

### MATERIAL

Steel, strip-galv. acc. to the Sendzimir method to TS-EN 10346:2011 (PG)

Available finishes:

HDG-steel, hot-dip galv. to TS-EN ISO 1461:2011 (HDG)  
SS- stainless steel AISI 304L and AISI 316L (SS)  
EP- powder coating in a full range of colours (RAL)

Thickn. (ga) [mm]:

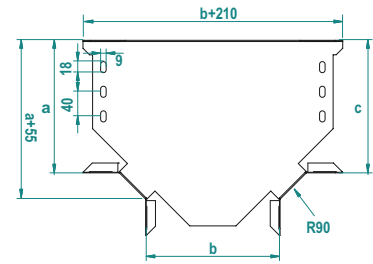
0.6 0.8 1.0 1.2 1.5

## Tee Horizontal Bend of Cable Tray

"T" Yatay Dönüş Elemanı - T-отвод горизонтальный



KT H40

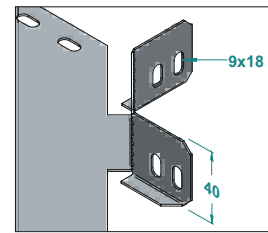


Pre - Galvanised

Important!  
To install cable tray - bend use Screw Sets CFS M6 or CFS M8

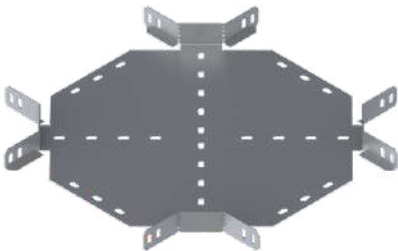
KT ... H40		1.0mm	
CODE	Width a=b=c mm	kg 1 pc	pcs
KT 405 10 PG	50	0.26	1
KT 407 10 PG	75	0.32	1
KT 410 10 PG	100	0.5	1
KT 412 10 PG	125	0.6	1
KT 415 10 PG	150	0.7	1
KT 420 10 PG	200	0.93	1
KT 422 10 PG	225	1.05	1
KT 425 10 PG	250	1.18	1
		1.2mm	
KT 430 12 PG	300	1.97	1
KT 440 12 PG	400	2.82	1
KT 445 12 PG	450	3.3	1
KT 450 12 PG	500	3.82	1
KT 460 12 PG	600	4.96	1

KT ... H40		1.5mm	
CODE	Width a=b=c mm	kg 1 pc	pcs
KT 405 15 PG	50	0.38	1
KT 407 15 PG	75	0.48	1
KT 410 15 PG	100	0.76	1
KT 412 15 PG	125	0.9	1
KT 415 15 PG	150	1.05	1
KT 420 15 PG	200	1.38	1
KT 422 15 PG	225	1.58	1
KT 425 15 PG	250	1.78	1
KT 430 15 PG	300	2.46	1
KT 440 15 PG	400	3.52	1
KT 445 15 PG	450	4.12	1
KT 450 15 PG	500	4.77	1
KT 460 15 PG	600	6.2	1

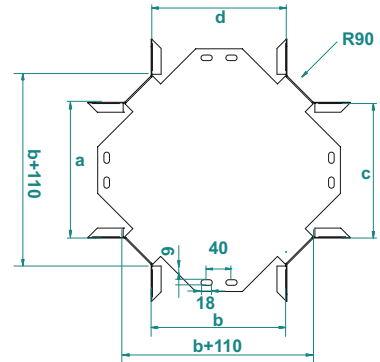


## Cross Bend of Cable Tray

Dörtlü Kanal Bağlantı Elemanı - Крестовина



KD H40

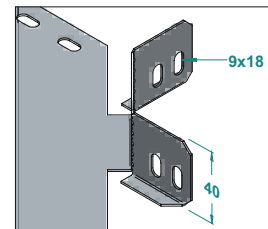


Pre - Galvanised

Important!  
To install cable tray - bend use Screw Sets CFS M6 or CFS M8

KD ... H40		1.0mm	
CODE	Width a=b=c=d mm	kg 1 pc	pcs
KD 405 10 PG	50	0.32	1
KD 407 10 PG	75	0.39	1
KD 410 10 PG	100	0.62	1
KD 412 10 PG	125	0.73	1
KD 415 10 PG	150	0.84	1
KD 420 10 PG	200	1.08	1
KD 422 10 PG	225	1.22	1
KD 425 10 PG	250	1.36	1
		1.2mm	
KD 430 12 PG	300	2.32	1
KD 440 12 PG	400	3.23	1
KD 445 12 PG	450	3.74	1
KD 450 12 PG	500	4.3	1
KD 460 12 PG	600	5.51	1

KD ... H40		1.5mm	
CODE	Width a=b=c=d mm	kg 1 pc	pcs
KD 405 15 PG	50	0.48	1
KD 407 15 PG	75	0.59	1
KD 410 15 PG	100	0.94	1
KD 412 15 PG	125	1.09	1
KD 415 15 PG	150	1.26	1
KD 420 15 PG	200	1.62	1
KD 422 15 PG	225	1.82	1
KD 425 15 PG	250	2.04	1
KD 430 15 PG	300	2.9	1
KD 440 15 PG	400	4.04	1
KD 445 15 PG	450	4.68	1
KD 450 15 PG	500	5.37	1
KD 460 15 PG	600	6.89	1



### APPLICATIONS

Cable routing

### MATERIAL

Steel, strip-galv. acc. to the Sendzimir method to TS-EN 10346:2011 (PG)

Available finishes:

HDG-steel, hot-dip galv. to TS-EN ISO 1461:2011 (HDG)  
SS- stainless steel AISI 304L and AISI 316L (SS)  
EP- powder coating in a full range of colours (RAL)

Thickn. (ga) [mm]:

0.6 | 0.8 | 1.0 | 1.2 | 1.5

## Add on 90° Horizontal Corner Bend of Cable Tray

90° Köşe Yatay Kanal Dönüş Eki - Угол 90° врезной



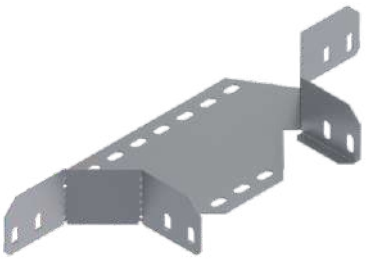
Pre - Galvanised

Important!  
To install cable tray - bend use Screw Sets CFS M6 or CFS M8

K90E ... H40					K90E ... H40				
1.0mm					1.5mm				
CODE	a mm	Radius R mm	KG 1pc	pcs	CODE	a mm	Radius R mm	KG 1pc	pcs
K90E 4 10 PG	55	90	0.14	1	K90E 4 15 PG	55	90	0.22	1
K90ER1 4 10 PG	90	150	0.22	1	K90ER1 4 15 PG	90	150	0.34	1
K90ER2 4 10 PG	180	300	0.49	1	K90ER2 4 15 PG	180	300	0.73	1

## Add on Tee horizontal bend

"T" Yatay Kanal Dönüş Eki - T-отвод горизонтальный врезной

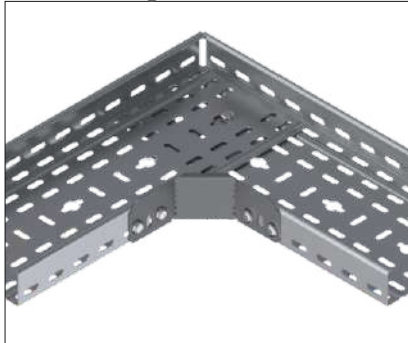


Pre - Galvanised

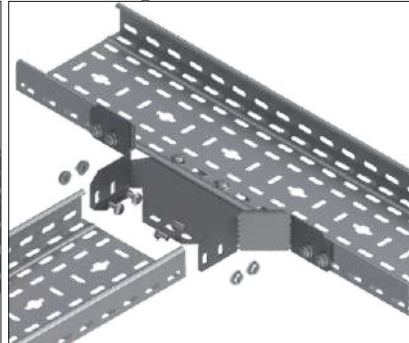
Important!  
To install cable tray - bend use Screw Sets CFS M6 or CFS M8

KTE ... H40					KTER1 ... H40				
1mm					1.5mm				
CODE	Width a mm	Radius R mm	KG 1pc	pcs	CODE	Width a mm	Radius R mm	KG 1pc	pcs
KTE 410 10 PG	100	90	0.33	1	KTER1 410 15 PG	100	150	0.99	1
KTE 412 10 PG	125	90	0.35	1	KTER1 412 15 PG	125	150	1.05	1
KTE 415 10 PG	150	90	0.38	1	KTER1 415 15 PG	150	150	1.1	1
KTE 420 10 PG	200	90	0.42	1	KTER1 420 15 PG	200	150	1.22	1
KTE 422 10 PG	225	90	0.45	1	KTER1 422 15 PG	225	150	1.28	1
KTE 425 10 PG	250	90	0.47	1	KTER1 425 15 PG	250	150	1.34	1
KTE ... H40					KTER1 ... H40				
1.2mm					1.5mm				
CODE	Width a mm	Radius R mm	KG 1pc	pcs	CODE	Width a mm	Radius R mm	KG 1pc	pcs
KTE 430 12 PG	300	90	0.62	1	KTER1 430 15 PG	300	150	1.46	1
KTE 440 12 PG	400	90	0.74	1	KTER1 440 15 PG	400	150	1.7	1
KTE 445 12 PG	450	90	0.79	1	KTER1 445 15 PG	450	150	1.82	1
KTE 450 12 PG	500	90	0.85	1	KTER1 450 15 PG	500	150	1.93	1
KTE 460 12 PG	600	90	0.96	1	KTER1 460 15 PG	600	150	2.17	1

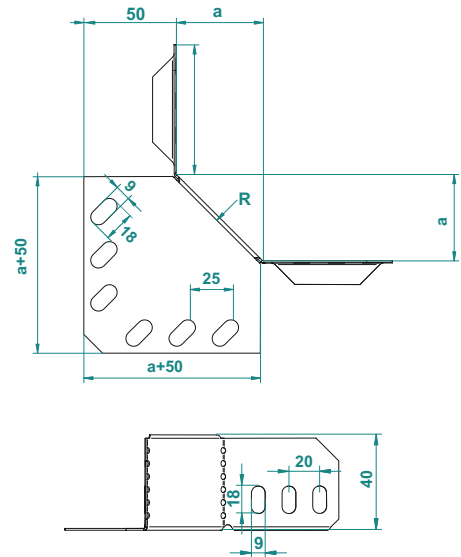
### K90E Mounting



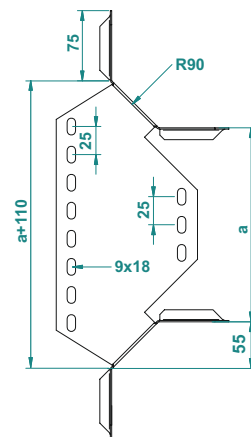
### KTE Mounting



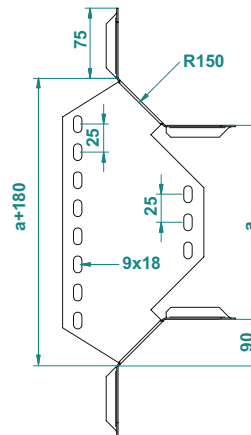
### K90E H40



### KTE H40



### KTER1 H40



### APPLICATIONS

Cable routing

### MATERIAL

Steel, strip-galv. acc. to the Sendzimir method to TS-EN 10346:2011 (PG)

Available finishes:

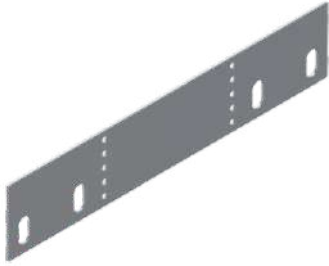
HDG-steel, hot-dip galv. to TS-EN ISO 1461:2011 (HDG)  
SS- stainless steel AISI 304L and AISI 316L (SS)  
EP- powder coating in a full range of colours (RAL)

Thickn. (ga) [mm]:

0.6 0.8 1.0 1.2 1.5

## Reducer Connector - Single Type

Redüksiyon Eki (Tek) - Редукционный переходник



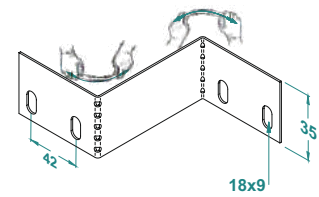
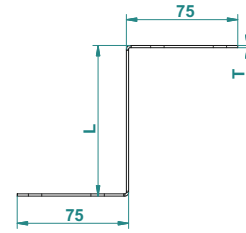
Important!  
To install cable tray - reducer use Screw Sets  
CFS M6 or CFS M8

Pre - Galvanised

RT ... H40		1.5mm	
CODE	Length L mm	KG 1 pc	pcs
RT 40 25 15 PG	25	0.074	1
RT 40 50 15 PG	50	0.085	1
RT 40 75 15 PG	75	0.095	1
RT 40 100 15 PG	100	0.106	1
RT 40 125 15 PG	125	0.117	1
RT 40 150 15 PG	150	0.127	1
RT 40 175 15 PG	175	0.138	1
RT 40 200 15 PG	200	0.149	1
RT 40 225 15 PG	225	0.159	1
RT 40 250 15 PG	250	0.169	1
RT 40 275 15 PG	275	0.18	1
RT 40 300 15 PG	300	0.191	1

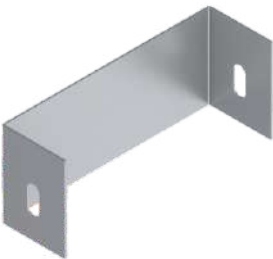
RT ... H40		1.5mm	
CODE	Length L mm	KG 1 pc	pcs
RT 40 325 15 PG	325	0.202	1
RT 40 350 15 PG	350	0.212	1
RT 40 375 15 PG	375	0.222	1
RT 40 400 15 PG	400	0.233	1
RT 40 425 15 PG	425	0.244	1
RT 40 450 15 PG	450	0.255	1
RT 40 475 15 PG	475	0.265	1
RT 40 500 15 PG	500	0.275	1
RT 40 525 15 PG	525	0.286	1
RT 40 550 15 PG	550	0.297	1
RT 40 575 15 PG	575	0.307	1

## RT H40



## Stop End (Blind End)

Sonlandırma - Заглушка



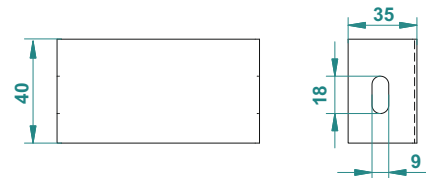
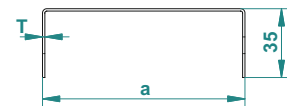
Important!  
To install cable tray - stop end use Screw Sets  
CFS M6 or CFS M8

Pre - Galvanised

SON ... H40		1.2mm	
CODE	Width a mm	KG 1 pc	pcs
SON 405 12 PG	50	0.058	1
SON 407 12 PG	75	0.066	1
SON 410 12 PG	100	0.075	1
SON 412 12 PG	125	0.083	1
SON 415 12 PG	150	0.092	1
SON 420 12 PG	200	0.109	1
SON 422 12 PG	225	0.117	1
SON 425 12 PG	250	0.125	1
SON 430 12 PG	300	0.142	1
SON 440 12 PG	400	0.176	1
SON 445 12 PG	450	0.194	1
SON 450 12 PG	500	0.211	1
SON 460 12 PG	600	0.244	1

SON ... H40		1.5mm	
CODE	Width a mm	KG 1 pc	pcs
SON 405 15 PG	50	0.072	1
SON 407 15 PG	75	0.083	1
SON 410 15 PG	100	0.094	1
SON 412 15 PG	125	0.104	1
SON 415 15 PG	150	0.114	1
SON 420 15 PG	200	0.136	1
SON 422 15 PG	225	0.146	1
SON 425 15 PG	250	0.157	1
SON 430 15 PG	300	0.178	1
SON 440 15 PG	400	0.221	1
SON 445 15 PG	450	0.241	1
SON 450 15 PG	500	0.263	1
SON 460 15 PG	600	0.305	1

## SON H40



## APPLICATIONS

Cable routing

## MATERIAL

Steel, strip-galv. acc. to the Sendzimir method  
to TS-EN 10346:2011 (PG)

Available finishes:

HDG-steel, hot-dip galv. to TS-EN ISO 1461:2011 (HDG)  
SS- stainless steel AISI 304L and AISI 316L (SS)  
EP- powder coating in a full range of colours (RAL)

Thickn. (ga) [mm]:

0.6 0.8 1.0 1.2 1.5



## Adjustable Vertical Connector (2 Pcs)

*Dikey Seviye Degistirme Eki (2 Adet) - Шарнирный соединитель для лотка*



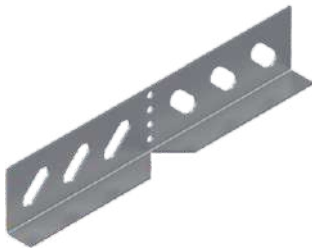
Pre - Galvanised

To Install one lenght; use 2 pieces of BDD connector and 10 sets of CFS bolts and nuts. (M6 or M8)

BDD 2 ... H40				BDD 2 ... H40			
1.2mm				1.5mm			
CODE	Length L mm	kg 1 pc	pcs	CODE	Length L mm	kg 1 pc	pcs
BDD 240 12 PG	250	0.14	1	BDD 240 15 PG	250	0.17	1

## Adjustable Horizontal Connector

*Yatay Seviye Degistirme Eki - Угловой соединитель*



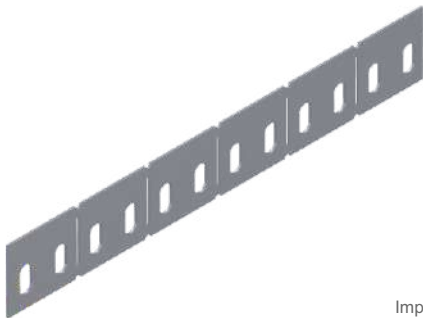
Pre - Galvanised

To Install one lenght; use 2 pieces of BYD connector and 8 sets of CFS bolts and nuts. (M6 or M8)

BYD 2 ... H40				BYD 2 ... H40			
1.2mm				1.5mm			
CODE	Length L mm	kg 1 pc	pcs	CODE	Length L mm	kg 1 pc	pcs
BYD 240 12 PG	175	0.08	1	BYD 240 15 PG	175	0.1	1

## Adjustable Horizontal Connector - Long Type

*Yatay Seviye Degistirme Eki Uzun Tip - Угловой соединитель - длинный*

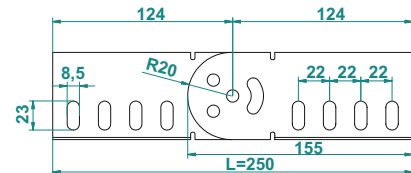


Pre - Galvanised

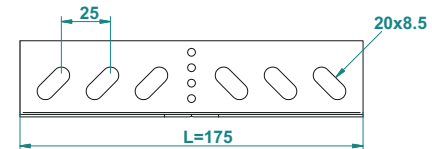
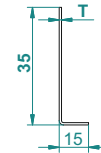
Important!  
To install cable tray - connector use Screw Sets CFS M6 or CFS M8

BYDU 1 ... H40				BYDU 1 ... H40			
1.2mm				1.5mm			
CODE	Length L mm	kg 1 pc	pcs	CODE	Length L mm	kg 1 pc	pcs
BYDU 140 12 PG	1000	0.3	1	BYDU 140 15 PG	1000	0.38	1

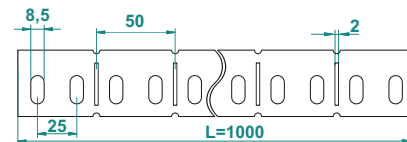
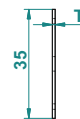
### BDD 2 H40



### BYD 2 H40



### BYDU 1 H40



### APPLICATIONS

Cable routing

### MATERIAL

Steel, strip-galv. acc. to the Sendzimir method to TS-EN 10346:2011 (PG)

Available finishes:

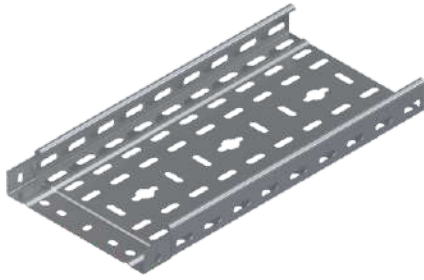
HDG-steel, hot-dip galv. to TS-EN ISO 1461:2011 (HDG)  
SS- stainless steel AISI 304L and AISI 316L (SS)  
EP- powder coating in a full range of colours (RAL)

Thickn. (ga) [mm]:

**0.6 | 0.8 | 1.0 | 1.2 | 1.5**

## Integrated Perforated Cable Trays - Return Flanges

Geçmeli Tip Kablo Kanalı - Интегрированные Перфорированные лотки



Important!  
Joining cable tray sections together only use  
Screw Sets CFS M6 or CFS M8

### Pre - Galvanised

GPK ... H40		0.6mm		
CODE	Width a mm	Length L mm	KG 1 mt	pcs
GPK 405 06 PG	50	3000	0.56	2
GPK 407 06 PG	75	3000	0.66	2
GPK 410 06 PG	100	3000	0.75	2
GPK 412 06 PG	125	3000	0.85	2
GPK 415 06 PG	150	3000	0.94	2
GPK 420 06 PG	200	3000	1.13	2

GPK ... H40		0.7mm		
CODE	Width a mm	Length L mm	KG 1 mt	pcs
GPK 405 07 PG	50	3000	0.70	2
GPK 407 07 PG	75	3000	0.82	2
GPK 410 07 PG	100	3000	0.93	2
GPK 412 07 PG	125	3000	1.03	2
GPK 415 07 PG	150	3000	1.17	2
GPK 420 07 PG	200	3000	1.40	2

GPK ... H40		0.8mm		
CODE	Width a mm	Length L mm	KG 1 mt	pcs
GPK 405 08 PG	50	3000	0.74	2
GPK 407 08 PG	75	3000	0.87	2
GPK 410 08 PG	100	3000	0.99	2
GPK 412 08 PG	125	3000	1.12	2
GPK 415 08 PG	150	3000	1.25	2
GPK 420 08 PG	200	3000	1.50	2
GPK 422 08 PG	225	3000	1.62	2
GPK 425 08 PG	250	3000	1.74	2
GPK 430 08 PG	300	3000	2.00	2

GPK ... H40		1.0mm		
CODE	Width a mm	Length L mm	KG 1 mt	pcs
GPK 405 10 PG	50	3000	0.92	2
GPK 407 10 PG	75	3000	1.08	2
GPK 410 10 PG	100	3000	1.23	2
GPK 412 10 PG	125	3000	1.39	2
GPK 415 10 PG	150	3000	1.55	2
GPK 420 10 PG	200	3000	1.86	2
GPK 422 10 PG	225	3000	2.02	2
GPK 425 10 PG	250	3000	2.18	2
GPK 430 10 PG	300	3000	2.49	2
GPK 440 10 PG	400	3000	3.12	2

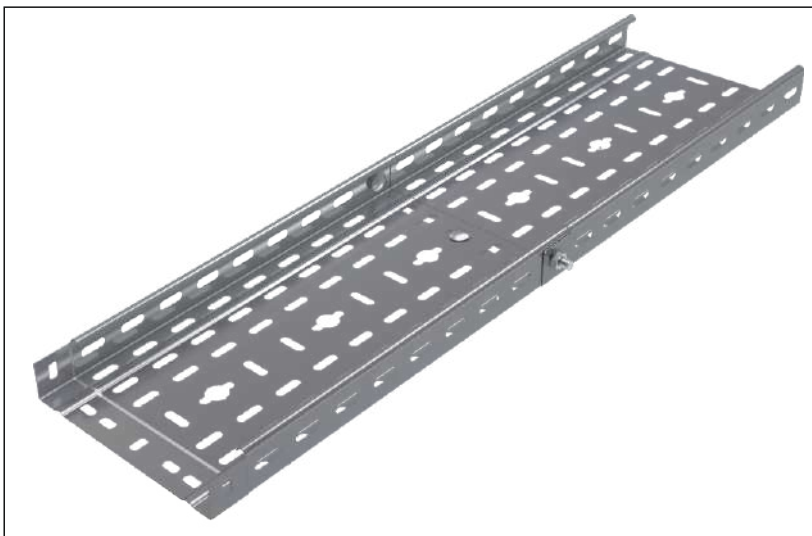
GPK ... H40		1.2mm		
CODE	Width a mm	Length L mm	KG 1 mt	pcs
GPK 445 12 PG	450	3000	4.12	2
GPK 450 12 PG	500	3000	4.50	2
GPK 460 12 PG	600	3000	5.25	2

### MATERIAL

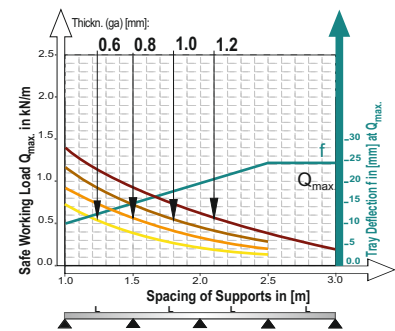
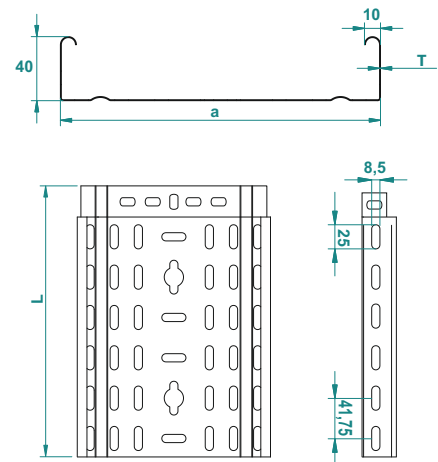
Steel, strip-galv. acc. to the Sendzimir method to TS-EN 10346:2011 (PG)

Thickn. (ga) [mm]: **0.6** **0.7** **0.8** **1.0** **1.2**

### Mounting Example



### GPK H40



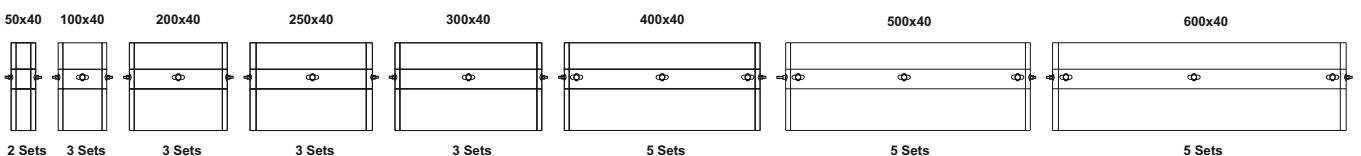
This diagram comply with IEC 61537 with connection to 1/5 of the span and the end span = 0,8x the span  
 $Q = \text{max. admissible load (kg/m)}$   
 $L = \text{support distance (m)}$   
 $f = \text{Deflection (mm) / Max. deflection} = L/100$   
 Safely co-efficient = 1.5

Width	Usable Cross-Section
50	18 cm <sup>2</sup>
100	38 cm <sup>2</sup>
150	58 cm <sup>2</sup>
200	78 cm <sup>2</sup>
300	118 cm <sup>2</sup>
400	158 cm <sup>2</sup>
500	198 cm <sup>2</sup>
600	238 cm <sup>2</sup>

### Recommended Quantities of Bolt and Nut For Integrated Cable Tray Connections

W	H	Width Of Cable Tray						
		40	50	60	75	80	85	100
50	2 Sets	2 Sets	2 Sets	-	-	-	-	
100	3 Sets	3 Sets	3 Sets	5 Sets	5 Sets	5 Sets	5 Sets	
150	3 Sets	3 Sets	3 Sets	5 Sets	5 Sets	5 Sets	5 Sets	
200	3 Sets	3 Sets	3 Sets	5 Sets	5 Sets	5 Sets	5 Sets	
250	3 Sets	3 Sets	3 Sets	5 Sets	5 Sets	5 Sets	5 Sets	
300	3 Sets	3 Sets	3 Sets	5 Sets	5 Sets	5 Sets	5 Sets	
400	5 Sets	5 Sets	5 Sets	7 Sets	7 Sets	7 Sets	7 Sets	
500	5 Sets	5 Sets	5 Sets	7 Sets	7 Sets	7 Sets	7 Sets	
600	5 Sets	5 Sets	5 Sets	7 Sets	7 Sets	7 Sets	7 Sets	

### Recommended Quantities of Bolt and Nut For Integrated Cable Tray Connections



## Integrated Non Perforated Cable Trays - Return Flanges

Geçmeli Tip Deliksiz Kablo Kanalı - Интегрированные Сплошные лотки



Important!  
Joining cable tray sections together only use  
Screw Sets CFS M6 or CFS M8

### Pre - Galvanised

GDK ... H40		0.6mm			
CODE	Width a mm	Length L mm	Kg 1 mt	pcs	
GDK 405 06 PG	50	3000	0.70	2	
GDK 407 06 PG	75	3000	0.82	2	
GDK 410 06 PG	100	3000	0.94	2	
GDK 412 06 PG	125	3000	1.06	2	
GDK 415 06 PG	150	3000	1.17	2	
GDK 420 06 PG	200	3000	1.41	2	

GDK ... H40		0.7mm			
CODE	Width a mm	Length L mm	Kg 1 mt	pcs	
GDK 405 07 PG	50	3000	0.82	2	
GDK 407 07 PG	75	3000	0.96	2	
GDK 410 07 PG	100	3000	1.09	2	
GDK 412 07 PG	125	3000	1.23	2	
GDK 415 07 PG	150	3000	1.37	2	
GDK 420 07 PG	200	3000	1.64	2	

GDK ... H40		0.8mm			
CODE	Width a mm	Length L mm	Kg 1 mt	pcs	
GDK 405 08 PG	50	3000	0.93	2	
GDK 407 08 PG	75	3000	1.09	2	
GDK 410 08 PG	100	3000	1.24	2	
GDK 412 08 PG	125	3000	1.40	2	
GDK 415 08 PG	150	3000	1.56	2	
GDK 420 08 PG	200	3000	1.87	2	
GDK 422 08 PG	225	3000	2.03	2	
GDK 425 08 PG	250	3000	2.18	2	
GDK 430 08 PG	300	3000	2.50	2	

GDK ... H40		1.0mm			
CODE	Width a mm	Length L mm	Kg 1 mt	pcs	
GDK 405 10 PG	50	3000	1.15	2	
GDK 407 10 PG	75	3000	1.35	2	
GDK 410 10 PG	100	3000	1.54	2	
GDK 412 10 PG	125	3000	1.74	2	
GDK 415 10 PG	150	3000	1.94	2	
GDK 420 10 PG	200	3000	2.33	2	
GDK 422 10 PG	225	3000	2.52	2	
GDK 425 10 PG	250	3000	2.72	2	
GDK 430 10 PG	300	3000	3.11	2	
GDK 440 10 PG	400	3000	3.90	2	

GDK ... H40		1.2mm			
CODE	Width a mm	Length L mm	Kg 1 mt	pcs	
GDK 445 12 PG	450	3000	5.15	2	
GDK 450 12 PG	500	3000	5.62	2	
GDK 460 12 PG	600	3000	6.56	2	

### MATERIAL

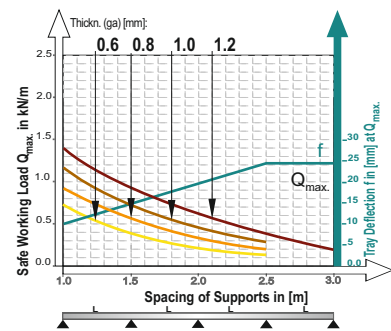
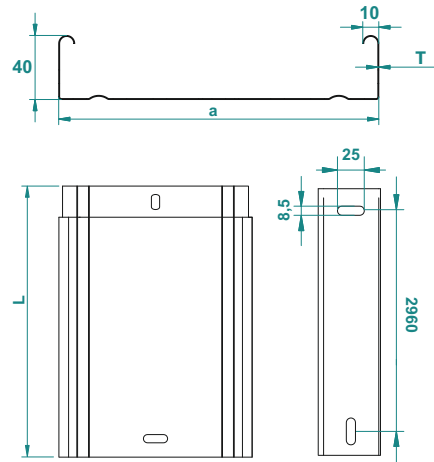
Steel, strip-galv. acc. to the Sendzimir method to TS-EN 10346:2011 (PG)

Thickn. (ga) [mm]: 0.6 | 0.7 | 0.8 | 1.0 | 1.2

### Mounting Example



### GDK H40



This diagram comply with IEC 61537 with connection to 1/5 of the span and the end span = 0,8x the span  
Q = max. admissible load (kg/m)

L = support distance (m)

f = Deflection (mm) / Max. deflection = L/100

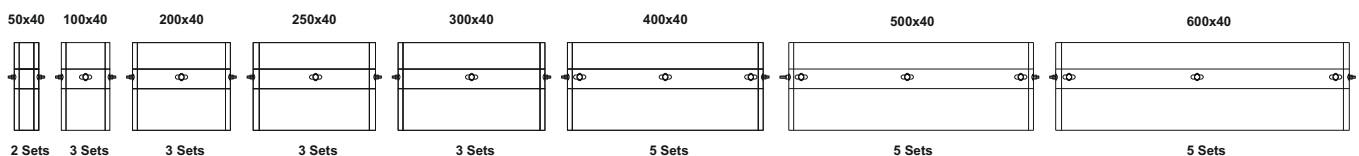
Safety co-efficient = 1.5

Width	Usable Cross-Section
50	18 cm <sup>2</sup>
100	38 cm <sup>2</sup>
150	58 cm <sup>2</sup>
200	78 cm <sup>2</sup>
300	118 cm <sup>2</sup>
400	158 cm <sup>2</sup>
500	198 cm <sup>2</sup>
600	238 cm <sup>2</sup>

### Recommended Quantities of Bolt and Nut For Integrated Cable Tray Connections

W	H	40	50	60	75	80	85	100
		2 Sets	2 Sets	2 Sets	-	-	-	-
100	3 Sets	3 Sets	3 Sets	5 Sets	5 Sets	5 Sets	5 Sets	
150	3 Sets	3 Sets	3 Sets	5 Sets	5 Sets	5 Sets	5 Sets	
200	3 Sets	3 Sets	3 Sets	5 Sets	5 Sets	5 Sets	5 Sets	
250	3 Sets	3 Sets	3 Sets	5 Sets	5 Sets	5 Sets	5 Sets	
300	3 Sets	3 Sets	3 Sets	5 Sets	5 Sets	5 Sets	5 Sets	
400	5 Sets	5 Sets	5 Sets	7 Sets	7 Sets	7 Sets	7 Sets	
500	5 Sets	5 Sets	5 Sets	7 Sets	7 Sets	7 Sets	7 Sets	
600	5 Sets	5 Sets	5 Sets	7 Sets	7 Sets	7 Sets	7 Sets	

### Recommended Quantities of Bolt and Nut For Integrated Cable Tray Connections



## Perforated Cable Trays - Return Flanges

Ağır Hizmet Kablo Kanalı - Перфорированные лотки



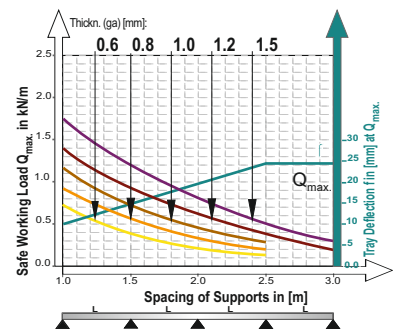
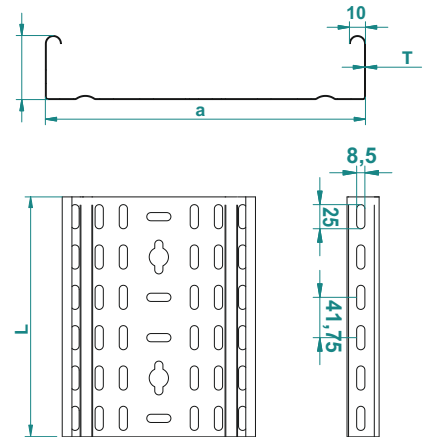
**Important!**  
Joining cable tray sections together only through the use of couplers 2 pcs for 1 Length  
To install cable tray - straight use Screw Sets CFS M6 or CFS M8

### Pre - Galvanized

APK ... H40				0.6mm
CODE	Width a mm	Length L mm	KG 1 mt	pcs
APK 405 06 PG	50	3000	0.56	2
APK 407 06 PG	75	3000	0.66	2
APK 410 06 PG	100	3000	0.75	2
APK 412 06 PG	125	3000	0.85	2
APK 415 06 PG	150	3000	0.94	2
APK 420 06 PG	200	3000	1.13	2
				0.8mm
APK 405 08 PG	50	3000	0.74	2
APK 407 08 PG	75	3000	0.87	2
APK 410 08 PG	100	3000	0.99	2
APK 412 08 PG	125	3000	1.12	2
APK 415 08 PG	150	3000	1.25	2
APK 420 08 PG	200	3000	1.50	2
APK 422 08 PG	225	3000	1.62	2
APK 425 08 PG	250	3000	1.74	2
APK 430 08 PG	300	3000	2.00	2
				1.0mm
APK 405 10 PG	50	3000	0.92	2
APK 407 10 PG	75	3000	1.08	2
APK 410 10 PG	100	3000	1.23	2
APK 412 10 PG	125	3000	1.39	2
APK 415 10 PG	150	3000	1.55	2
APK 420 10 PG	200	3000	1.86	2
APK 422 10 PG	225	3000	2.02	2
APK 425 10 PG	250	3000	2.18	2
APK 430 10 PG	300	3000	2.49	2
APK 440 10 PG	400	3000	3.12	2

APK ... H40				1.2mm
CODE	Width a mm	Length L mm	KG 1 mt	pcs
APK 405 12 PG	50	3000	1.10	2
APK 407 12 PG	75	3000	1.30	2
APK 410 12 PG	100	3000	1.48	2
APK 412 12 PG	125	3000	1.67	2
APK 415 12 PG	150	3000	1.86	2
APK 420 12 PG	200	3000	2.23	2
APK 422 12 PG	225	3000	2.42	2
APK 425 12 PG	250	3000	2.61	2
APK 430 12 PG	300	3000	2.99	2
APK 440 12 PG	400	3000	3.74	2
APK 445 12 PG	450	3000	4.12	2
APK 450 12 PG	500	3000	4.50	2
APK 460 12 PG	600	3000	5.25	2
				1.5mm
APK 405 15 PG	50	3000	1.36	2
APK 407 15 PG	75	3000	1.59	2
APK 410 15 PG	100	3000	1.83	2
APK 412 15 PG	125	3000	2.06	2
APK 415 15 PG	150	3000	2.30	2
APK 420 15 PG	200	3000	2.78	2
APK 422 15 PG	225	3000	3.01	2
APK 425 15 PG	250	3000	3.25	2
APK 430 15 PG	300	3000	3.71	2
APK 440 15 PG	400	3000	4.66	2
APK 445 15 PG	450	3000	5.13	2
APK 450 15 PG	500	3000	5.60	2
APK 460 15 PG	600	3000	6.54	2

### APK H40



This diagram comply with IEC 61537 with connection to 1/5 of the span and the end span = 0,8x the span  
Q = max. admissible load (kg/m)  
L = support distance (m)  
f = Deflection (mm) / Max. deflection = L/100  
Safely co-efficient = 1.5

Width	Usable Cross-Section
50	18 cm <sup>2</sup>
100	38 cm <sup>2</sup>
150	58 cm <sup>2</sup>
200	78 cm <sup>2</sup>
300	118 cm <sup>2</sup>
400	158 cm <sup>2</sup>
500	198 cm <sup>2</sup>
600	238 cm <sup>2</sup>



## Straight Connector (Coupler)

Birleştirme Elemanı - Прямой соединитель



To install one length ; use 2 pieces of KBE connector 8 sets of CFS bolts and nuts. (M6 or M8 )

### Pre - Galvanized

KBE 2 ... H40				1.2mm
CODE	Length L mm	KG 1pc	pcs	
KBE 240 12 PG	175	0.08	100	

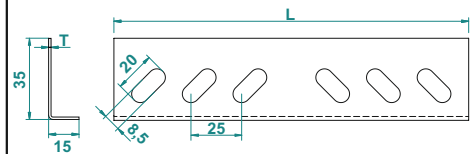
KBE 2 ... H40				1.5mm
CODE	Length L mm	KG 1pcs	pcs	
KBE 240 15 PG	175	0.1	100	

### Electro - Galvanized

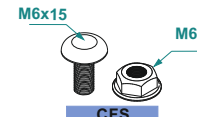
CFS M6				M6
CODE	Size mm	Length L mm	KG Set	pcs
CFS M6 EG	M6	15	0,008	500

CFS M8				M8
CODE	Size mm	Length L mm	KG Set	pcs
CFS M8 EG	M8	15	0,014	500

### KBE 2 H40



M6x15 Round head squire neck bolt & M6 Flanged nut



### APPLICATIONS

Cable routing

### MATERIAL

Steel, strip-galv. acc. to the Sendzimir method to TS-EN 10346:2011 (PG)

Available finishes:

HDG-steel, hot-dip galv. to TS-EN ISO 1461:2011 (HDG)  
SS- stainless steel AISI 304L and AISI 316L (SS)  
EP- powder coating in a full range of colours (RAL)

Thickn. (ga) [mm]: **0.6 | 0.8 | 1.0 | 1.2 | 1.5**

## Non Perforated Cable Trays - Return Flanges

Ağır Hizmet Deliksiz Kablo Kanalı - Сплошные лотки



Important!  
Joining cable tray sections together only through the use of couplers 2 pcs for 1 Length  
To install cable tray - straight use Screw Sets CFS M6 or CFS M8

### Pre - Galvanized

ADK ... H40		0.6mm			
CODE	Width a mm	Length L mm	KG 1 mt	pcs	
ADK 405 06 PG	50	3000	0.70	2	
ADK 407 06 PG	75	3000	0.82	2	
ADK 410 06 PG	100	3000	0.94	2	
ADK 412 06 PG	125	3000	1.06	2	
ADK 415 06 PG	150	3000	1.17	2	
ADK 420 06 PG	200	3000	1.41	2	
		0.8mm			
ADK 405 08 PG	50	3000	0.93	2	
ADK 407 08 PG	75	3000	1.09	2	
ADK 410 08 PG	100	3000	1.24	2	
ADK 412 08 PG	125	3000	1.40	2	
ADK 415 08 PG	150	3000	1.56	2	
ADK 420 08 PG	200	3000	1.87	2	
ADK 422 08 PG	225	3000	2.03	2	
ADK 425 08 PG	250	3000	2.18	2	
ADK 430 08 PG	300	3000	2.50	2	
		1.0mm			
ADK 405 10 PG	50	3000	1.15	2	
ADK 407 10 PG	75	3000	1.35	2	
ADK 410 10 PG	100	3000	1.54	2	
ADK 412 10 PG	125	3000	1.74	2	
ADK 415 10 PG	150	3000	1.94	2	
ADK 420 10 PG	200	3000	2.33	2	
ADK 422 10 PG	225	3000	2.52	2	
ADK 425 10 PG	250	3000	2.72	2	
ADK 430 10 PG	300	3000	3.11	2	
ADK 440 10 PG	400	3000	3.90	2	

ADK ... H40		1.2mm			
CODE	Width a mm	Length L mm	KG 1 mt	pcs	
ADK 405 12 PG	50	3000	1.38	2	
ADK 407 12 PG	75	3000	1.62	2	
ADK 410 12 PG	100	3000	1.85	2	
ADK 412 12 PG	125	3000	2.09	2	
ADK 415 12 PG	150	3000	2.32	2	
ADK 420 12 PG	200	3000	2.79	2	
ADK 422 12 PG	225	3000	3.03	2	
ADK 425 12 PG	250	3000	3.26	2	
ADK 430 12 PG	300	3000	3.74	2	
ADK 440 12 PG	400	3000	4.68	2	
ADK 445 12 PG	450	3000	5.15	2	
ADK 450 12 PG	500	3000	5.62	2	
ADK 460 12 PG	600	3000	6.56	2	
		1.5mm			
ADK 405 15 PG	50	3000	1.70	2	
ADK 407 15 PG	75	3000	1.99	2	
ADK 410 15 PG	100	3000	2.29	2	
ADK 412 15 PG	125	3000	2.58	2	
ADK 415 15 PG	150	3000	2.88	2	
ADK 420 15 PG	200	3000	3.47	2	
ADK 422 15 PG	225	3000	3.76	2	
ADK 425 15 PG	250	3000	4.06	2	
ADK 430 15 PG	300	3000	4.64	2	
ADK 440 15 PG	400	3000	5.82	2	
ADK 445 15 PG	450	3000	6.41	2	
ADK 450 15 PG	500	3000	7.00	2	
ADK 460 15 PG	600	3000	8.18	2	

## Seperator

Сепаратор - Перегородка



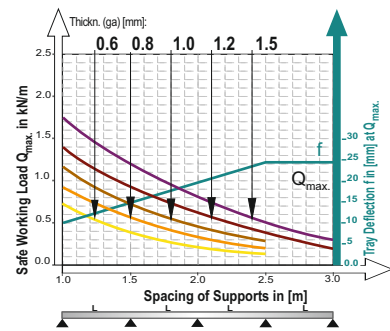
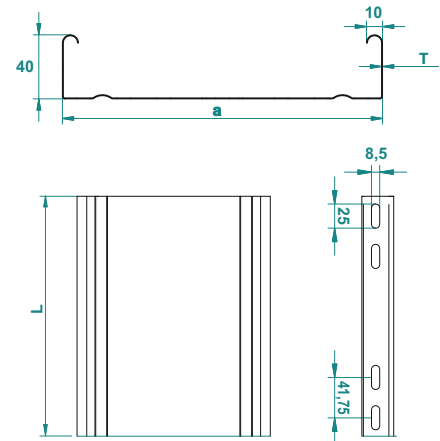
To Install Seperator use CFS bolts and nuts. ( M6 or M8 )

### Pre - Galvanized

SEP ... H40		1.0mm			
CODE	Length L mm	KG 1m	pcs		
SEP 140 10 PG	3000	0.43	1		

SEP ... H40		1.5mm			
CODE	Length L mm	KG 1m	pcs		
SEP 140 15 PG	3000	0.64	1		

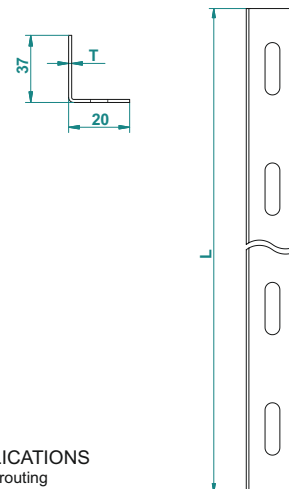
## APK H40



This diagram comply with IEC 61537 with connection to 1/5 of the span and the end span = 0,8x the span  
Q = max. admissible load (kg/m)  
L = support distance (m)  
f = Deflection (mm) / Max. deflection = L/100  
Safety co-efficient = 1.5

Width	Usable Cross-Section
50	18 cm <sup>2</sup>
100	38 cm <sup>2</sup>
150	58 cm <sup>2</sup>
200	78 cm <sup>2</sup>
300	118 cm <sup>2</sup>
400	158 cm <sup>2</sup>
500	198 cm <sup>2</sup>
600	238 cm <sup>2</sup>

## SEP H40



APPLICATIONS  
Cable routing

MATERIAL  
Steel, strip-galv. acc. to the Sendzimir method to TS-EN 10346:2011 (PG)

Available finishes:  
HDG-steel, hot-dip galv. to TS-EN ISO 1461:2011 (HDG)  
SS- stainless steel AISI 304L and AISI 316L (SS)  
EP- powder coating in a full range of colours (RAL)

Thickn. (ga) [mm]: **0.6 0.8 1.0 1.2 1.5**

## 90° Horizontal Bend of Cable Tray

90° Yatay Kanal Dönüş Elemanı - Угол горизонтальный 90°



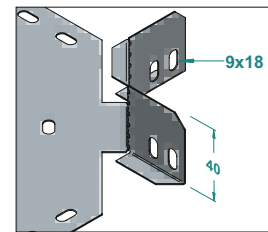
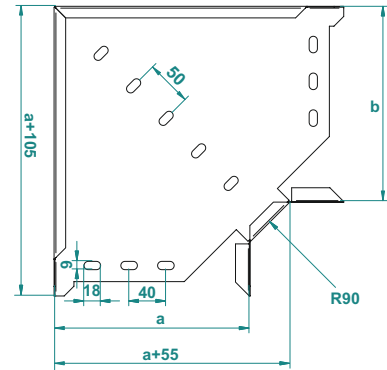
Pre - Galvanized

Important!  
To install cable tray - bend use Screw Sets CFS M6 or CFS M8

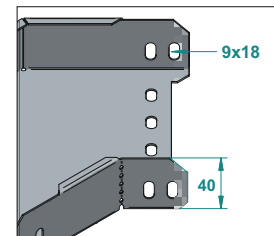
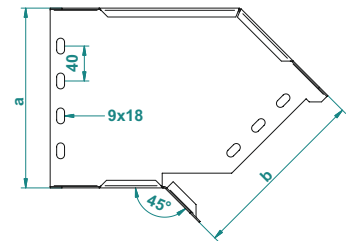
KA90 ... H40		1.0mm	
CODE	Width a=b mm	kg 1 pc	pcs
KA90 405 10 PG	50	0.22	1
KA90 407 10 PG	75	0.29	1
KA90 410 10 PG	100	0.44	1
KA90 412 10 PG	125	0.53	1
KA90 415 10 PG	150	0.62	1
KA90 420 10 PG	200	0.84	1
KA90 422 10 PG	225	0.95	1
KA90 425 10 PG	250	1.08	1
		1.2mm	
KA90 430 12 PG	300	1.74	1
KA90 440 12 PG	400	2.54	1
KA90 445 12 PG	450	2.99	1
KA90 450 12 PG	500	3.49	1
KA90 460 12 PG	600	4.58	1

KA90 ... H40		1.5mm	
CODE	Width a=b mm	kg 1 pc	pcs
KA90 405 15 PG	50	0.34	1
KA90 407 15 PG	75	0.43	1
KA90 410 15 PG	100	0.66	1
KA90 412 15 PG	125	0.79	1
KA90 415 15 PG	150	0.94	1
KA90 420 15 PG	200	1.26	1
KA90 422 15 PG	225	1.43	1
KA90 425 15 PG	250	1.62	1
KA90 430 15 PG	300	2.17	1
KA90 440 15 PG	400	3.17	1
KA90 445 15 PG	450	3.74	1
KA90 450 15 PG	500	4.35	1
KA90 460 15 PG	600	5.73	1

### KA90 H40



### KA45 H40



## 45° Horizontal Bend of Cable Tray

45° Yatay Kanal Dönüş Elemanı - Угол горизонтальный 45°



Pre - Galvanized

Important!  
To install cable tray - bend use Screw Sets CFS M6 or CFS M8

KA45 ... H40		1.0mm	
CODE	Width a=b mm	kg 1 pc	pcs
KA45 405 10 PG	50	0.23	1
KA45 407 10 PG	75	0.30	1
KA45 410 10 PG	100	0.37	1
KA45 412 10 PG	125	0.49	1
KA45 415 10 PG	150	0.58	1
KA45 420 10 PG	200	0.79	1
KA45 422 10 PG	225	0.91	1
KA45 425 10 PG	250	1.03	1
		1.2mm	
KA45 430 12 PG	300	1.57	1
KA45 440 12 PG	400	2.34	1
KA45 445 12 PG	450	2.78	1
KA45 450 12 PG	500	3.26	1
KA45 460 12 PG	600	4.33	1

KA45 ... H40		1.5mm	
CODE	Width a=b mm	kg 1 pc	pcs
KA45 405 15 PG	50	0.34	1
KA45 407 15 PG	75	0.45	1
KA45 410 15 PG	100	0.55	1
KA45 412 15 PG	125	0.73	1
KA45 415 15 PG	150	0.87	1
KA45 420 15 PG	200	1.18	1
KA45 422 15 PG	225	1.36	1
KA45 425 15 PG	250	1.55	1
KA45 430 15 PG	300	1.96	1
KA45 440 15 PG	400	2.92	1
KA45 445 15 PG	450	3.47	1
KA45 450 15 PG	500	4.07	1
KA45 460 15 PG	600	5.41	1

### APPLICATIONS

Cable routing

### MATERIAL

Steel, strip-galv. acc. to the Sendzimir method to TS-EN 10346:2011 (PG)

Available finishes:

HDG-steel, hot-dip galv. to TS-EN ISO 1461:2011 (HDG)  
SS- stainless steel AISI 304L and AISI 316L (SS)  
EP- powder coating in a full range of colours (RAL)

Thickn. (ga) [mm]:

0.6 0.8 1.0 1.2 1.5

## Tee Horizontal Bend of Cable Tray

"T" Yatay Kanal Dönüş Elemanı - T-отвод горизонтальный



Important!  
To install cable tray - bend use Screw Sets CFS M6 or CFS M8

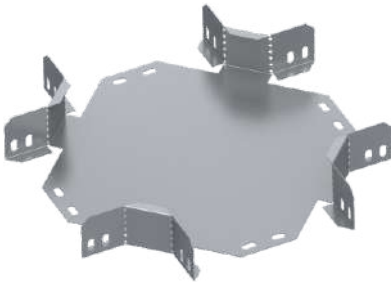
Pre - Galvanized

KAT ... H40		1.0mm	
CODE	Width a=b=c mm	kg 1 pc	pcs
KAT 405 10 PG	50	0.28	1
KAT 407 10 PG	75	0.35	1
KAT 410 10 PG	100	0.54	1
KAT 412 10 PG	125	0.64	1
KAT 415 10 PG	150	0.74	1
KAT 420 10 PG	200	0.98	1
KAT 422 10 PG	225	1.10	1
KAT 425 10 PG	250	1.24	1
		1.2mm	
KAT 430 12 PG	300	2.04	1
KAT 440 12 PG	400	2.90	1
KAT 445 12 PG	450	3.39	1
KAT 450 12 PG	500	3.92	1
KAT 460 12 PG	600	5.09	1

KAT ... H40		1.5mm	
CODE	Width a=b=c mm	kg 1 pc	pcs
KAT 405 15 PG	50	0.42	1
KAT 407 15 PG	75	0.53	1
KAT 410 15 PG	100	0.81	1
KAT 412 15 PG	125	0.96	1
KAT 415 15 PG	150	1.11	1
KAT 420 15 PG	200	1.46	1
KAT 422 15 PG	225	1.66	1
KAT 425 15 PG	250	1.86	1
KAT 430 15 PG	300	2.55	1
KAT 440 15 PG	400	3.63	1
KAT 445 15 PG	450	4.24	1
KAT 450 15 PG	500	4.90	1
KAT 460 15 PG	600	6.35	1

## Cross Bend of Cable Tray

4'lü Bağlantı Elemanı- Крестовина



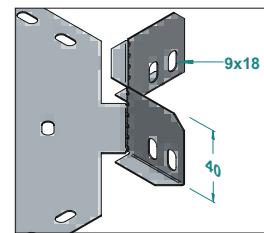
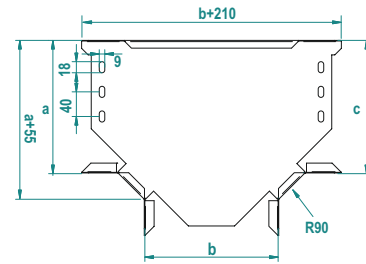
Important!  
To install cable tray - bend use Screw Sets CFS M6 or CFS M8

Pre - Galvanized

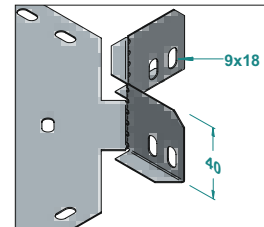
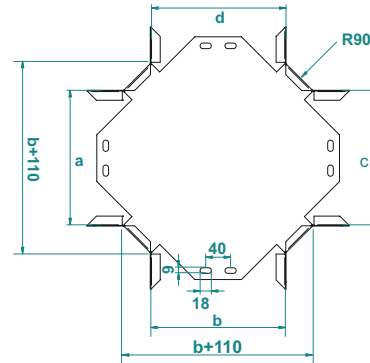
KAD ... H40		1.0mm	
CODE	Width a=b=c=d mm	kg 1 pc	pcs
KAD 405 10 PG	50	0.34	1
KAD 407 10 PG	75	0.42	1
KAD 410 10 PG	100	0.66	1
KAD 412 10 PG	125	0.77	1
KAD 415 10 PG	150	0.88	1
KAD 420 10 PG	200	1.14	1
KAD 422 10 PG	225	1.27	1
KAD 425 10 PG	250	1.42	1
		1.2mm	
KAD 430 12 PG	300	2.41	1
KAD 440 12 PG	400	3.34	1
KAD 445 12 PG	450	3.86	1
KAD 450 12 PG	500	4.41	1
KAD 460 12 PG	600	5.64	1

KAD ... H40		1.5mm	
CODE	Width a=b=c=d mm	kg 1 pc	pcs
KAD 405 15 PG	50	0.52	1
KAD 407 15 PG	75	0.64	1
KAD 410 15 PG	100	0.99	1
KAD 412 15 PG	125	1.15	1
KAD 415 15 PG	150	1.33	1
KAD 420 15 PG	200	1.70	1
KAD 422 15 PG	225	1.90	1
KAD 425 15 PG	250	2.13	1
KAD 430 15 PG	300	3.01	1
KAD 440 15 PG	400	4.17	1
KAD 445 15 PG	450	4.82	1
KAD 450 15 PG	500	5.51	1
KAD 460 15 PG	600	7.05	1

### KAT H40



### KAD H40



### APPLICATIONS

Cable routing

### MATERIAL

Steel, strip-galv. acc. to the Sendzimir method to TS-EN 10346:2011 (PG)

Available finishes:

HDG-steel, hot-dip galv. to TS-EN ISO 1461:2011 (HDG)  
SS- stainless steel AISI 304L and AISI 316L (SS)  
EP- powder coating in a full range of colours (RAL)

Thickn. (ga) [mm]:

**0.6 | 0.8 | 1.0 | 1.2 | 1.5**

## Vertical Outside Bend of Cable Tray (Flexible)

Kanal Dış Bükü - Арка универсальная, внешний изгиб



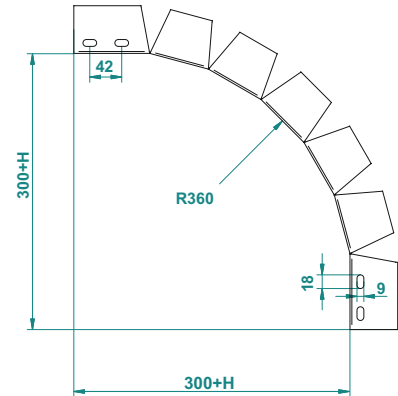
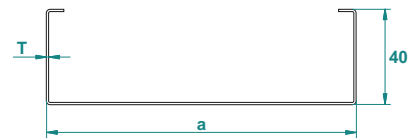
Pre - Galvanized

KADB ... H40		1.0mm			
CODE	Width a mm	Length L mm	KG 1 pc	pcs	
KADB 405 10 PG	50	600	0.58	1	
KADB 407 10 PG	75	600	0.67	1	
KADB 410 10 PG	100	600	0.78	1	
KADB 412 10 PG	125	600	0.87	1	
KADB 415 10 PG	150	600	0.97	1	
KADB 420 10 PG	200	600	1.17	1	
KADB 422 10 PG	225	600	1.26	1	
KADB 425 10 PG	250	600	1.36	1	
		1.2mm			
KADB 430 12 PG	300	600	1.87	1	
KADB 440 12 PG	400	600	2.81	1	
KADB 445 12 PG	450	600	3.09	1	
KADB 450 12 PG	500	600	3.38	1	
KADB 460 12 PG	600	600	3.94	1	

**Important!**  
To install vertical bend - use 2 pieces of KBE connectors and 4 sets of CFS bolts and nuts (M6 or M8).

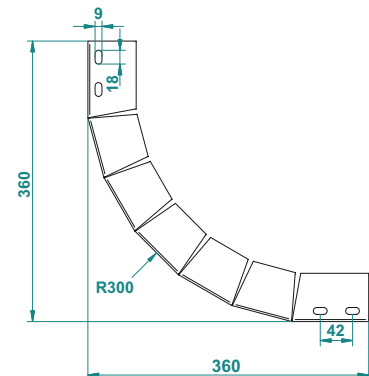
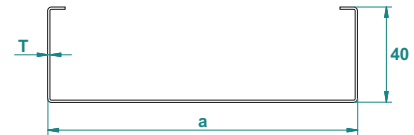
KADB ... H40		1.5mm			
CODE	Width a mm	Length L mm	KG 1 pc	pcs	
KADB 405 15 PG	50	600	0.85	1	
KADB 407 15 PG	75	600	1.00	1	
KADB 410 15 PG	100	600	1.14	1	
KADB 412 15 PG	125	600	1.30	1	
KADB 415 15 PG	150	600	1.44	1	
KADB 420 15 PG	200	600	1.74	1	
KADB 422 15 PG	225	600	1.88	1	
KADB 425 15 PG	250	600	2.03	1	
KADB 430 15 PG	300	600	2.32	1	
KADB 440 15 PG	400	600	3.50	1	
KADB 445 15 PG	450	600	3.85	1	
KADB 450 15 PG	500	600	4.20	1	
KADB 460 15 PG	600	600	4.90	1	

### KADB H40



KADB and KAIB are the same items, shipped flat.  
To install - Bend manually during application.  
in Flat Length = 600mm

### KAIB H40



KADB and KAIB are the same items, shipped flat.  
To install - Bend manually during application.  
in Flat Length = 600mm

### APPLICATIONS

Cable routing

### MATERIAL

Steel, strip-galv. acc. to the Sendzimir method to TS-EN 10346:2011 (PG)

Available finishes:

HDG-steel, hot-dip galv. to TS-EN ISO 1461:2011 (HDG)  
SS- stainless steel AISI 304L and AISI 316L (SS)  
EP- powder coating in a full range of colours (RAL)

Thickn. (ga) [mm]: **0.6 | 0.8 | 1.0 | 1.2 | 1.5**

## Vertical Inside Bend of Cable Tray (Flexible)

Kanal İç Bükü - Арка универсальная, внутренний изгиб



Pre - Galvanized

KAIB ... H40		1.0mm			
CODE	Width a mm	Length L mm	KG 1 pc	pcs	
KAIB 405 10 PG	50	600	0.58	1	
KAIB 407 10 PG	75	600	0.67	1	
KAIB 410 10 PG	100	600	0.78	1	
KAIB 412 10 PG	125	600	0.87	1	
KAIB 415 10 PG	150	600	0.97	1	
KAIB 420 10 PG	200	600	1.17	1	
KAIB 422 10 PG	225	600	1.26	1	
KAIB 425 10 PG	250	600	1.36	1	
		1.2mm			
KAIB 430 12 PG	300	600	1.87	1	
KAIB 440 12 PG	400	600	2.81	1	
KAIB 445 12 PG	450	600	3.09	1	
KAIB 450 12 PG	500	600	3.38	1	
KAIB 460 12 PG	600	600	3.94	1	

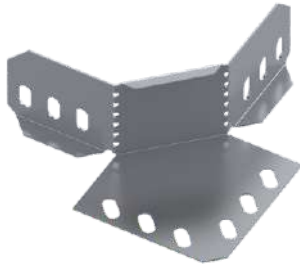
**Important!**  
To install vertical bend - use 2 pieces of KBE connectors and 4 sets of CFS bolts and nuts (M6 or M8).

KAIB ... H40		1.5mm			
CODE	Width a mm	Length L mm	KG 1 pc	pcs	
KAIB 405 15 PG	50	600	0.85	1	
KAIB 407 15 PG	75	600	1.00	1	
KAIB 410 15 PG	100	600	1.14	1	
KAIB 412 15 PG	125	600	1.30	1	
KAIB 415 15 PG	150	600	1.44	1	
KAIB 420 15 PG	200	600	1.74	1	
KAIB 422 15 PG	225	600	1.88	1	
KAIB 425 15 PG	250	600	2.03	1	
KAIB 430 15 PG	300	600	2.32	1	
KAIB 440 15 PG	400	600	3.50	1	
KAIB 445 15 PG	450	600	3.85	1	
KAIB 450 15 PG	500	600	4.20	1	
KAIB 460 15 PG	600	600	4.90	1	



## Add On 90° Horizontal Corner Bend of Cable Tray

90° Köşe Yatay Kanal Dönüş Eki - Угол 90° Врезной



Pre - Galvanized

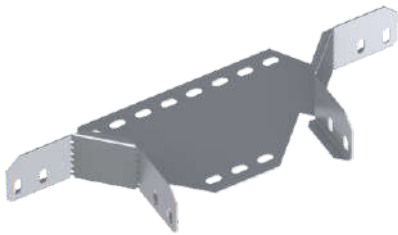
Important!  
To install cable tray - bend use Screw Sets CFS M6 or CFS M8

KA90E ... H40		1.0mm		
CODE	a mm	Radius R mm	kg 1pc	pcs
KA90E 4 10 PG	55	90	0.14	1
KA90ER1 4 10 PG	90	150	0.22	1
KA90ER2 4 10 PG	180	300	0.49	1

KA90E ... H40		1.5mm		
CODE	a mm	Radius R mm	kg 1pc	pcs
KA90E 4 15 PG	55	90	0.22	1
KA90ER1 4 15 PG	90	150	0.34	1
KA90ER2 4 15 PG	180	300	0.73	1

## Add on tee horizontal bend

"T" yatay kanal dönüő eki - T-отвод горизонтальный врезной



Pre - Galvanized

Important!  
To install cable tray - bend use Screw Sets CFS M6 or CFS M8

KATE ... H40		1.0mm		
CODE	Width a mm	Radius R mm	kg 1pc	pcs
KATE 410 10 PG	100	90	0.33	1
KATE 412 10 PG	125	90	0.35	1
KATE 415 10 PG	150	90	0.38	1
KATE 420 10 PG	200	90	0.42	1
KATE 422 10 PG	225	90	0.45	1
KATE 425 10 PG	250	90	0.47	1

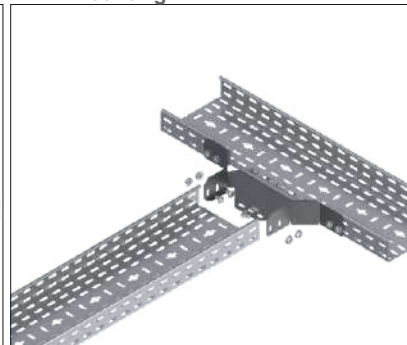
KATE ... H40		1.2mm		
CODE	Width a mm	Radius R mm	kg 1pc	pcs
KATE 430 12 PG	300	90	0.62	1
KATE 440 12 PG	400	90	0.74	1
KATE 445 12 PG	450	90	0.79	1
KATE 450 12 PG	500	90	0.85	1
KATE 460 12 PG	600	90	0.96	1

KATER1 ... H40		1.5mm		
CODE	Width a mm	Radius R mm	kg 1pc	pcs
KATER1 410 15 PG	100	150	0.99	1
KATER1 412 15 PG	125	150	1.05	1
KATER1 415 15 PG	150	150	1.1	1
KATER1 420 15 PG	200	150	1.22	1
KATER1 422 15 PG	225	150	1.28	1
KATER1 425 15 PG	250	150	1.34	1
KATER1 430 15 PG	300	150	1.46	1
KATER1 440 15 PG	400	150	1.7	1
KATER1 445 15 PG	450	150	1.82	1
KATER1 450 15 PG	500	150	1.93	1
KATER1 460 15 PG	600	150	2.17	1

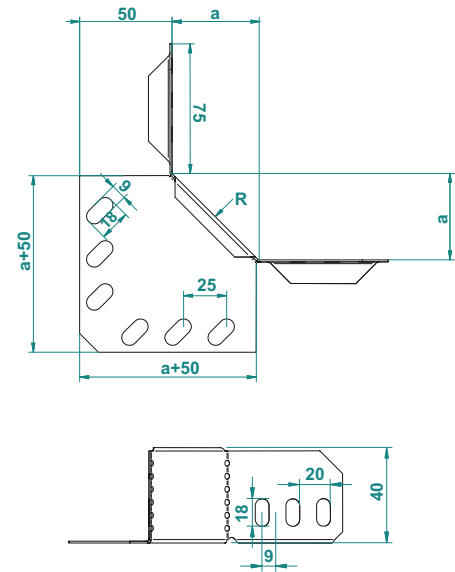
### KA90E Mounting



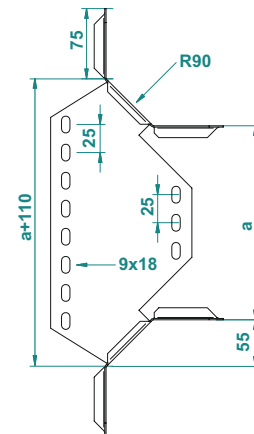
### KATE Mounting



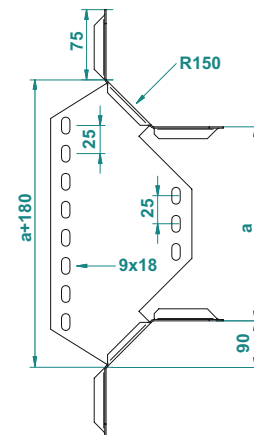
### KA90 E H40



### KATE H40



### KATER1 H40



### APPLICATIONS

Cable routing

### MATERIAL

Steel, strip-galv. acc. to the Sendzimir method to TS-EN 10346:2011 (PG)

Available finishes:

HDG-steel, hot-dip galv. to TS-EN ISO 1461:2011 (HDG)

SS- stainless steel AISI 304L and AISI 316L (SS)

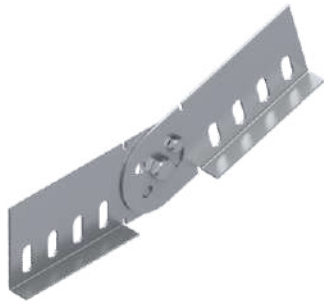
EP- powder coating in a full range of colours (RAL)

Thickn. (ga) [mm]:

**0.6 | 0.8 | 1.0 | 1.2 | 1.5**

## Adjustable Vertical Connector (2 Pcs)

*Dikey Seviye Degistirme Eki (2 Adet) - Шарнирный соединитель для лотка*



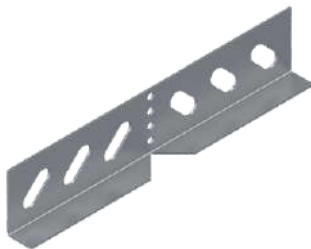
Pre - Galvanized

To install one lenght; use 2 pieces of BDD connector and 10 sets of CFS bolts and nuts. (M6 or M8 )

BDD 2 ... H40				1.2mm	BDD 2 ... H40				1.5mm
CODE	Length L mm	kg 1 pc	pcs		CODE	Length L mm	kg 1 pc	pcs	
BDD 240 12 PG	250	0.14	50		BDD 240 15 PG	250	0.17	50	

## Adjustable Horizontal Connector

*Yatay Seviye Degistirme Eki - Угловой соединитель*



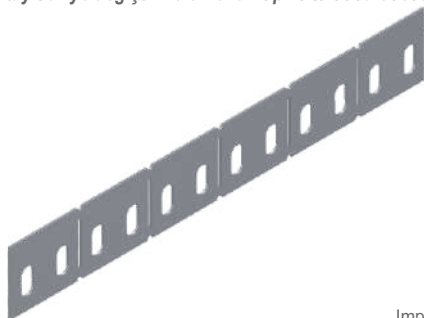
Pre - Galvanized

To install one lenght; use 2 pieces of BYD connector and 8 sets of CFS bolts and nuts. (M6 or M8 )

BYD 2 ... H40				1.2mm	BYD 2 ... H40				1.5mm
CODE	Length L mm	kg 1 pc	pcs		CODE	Length L mm	kg 1 pc	pcs	
BYD 240 12 PG	175	0.08	100		BYD 240 15 PG	175	0.1	100	

## Adjustable horizontal connector - Long Type

*Yatay seviye degistirme eki uzun tip - Угловой соединитель - длинный*

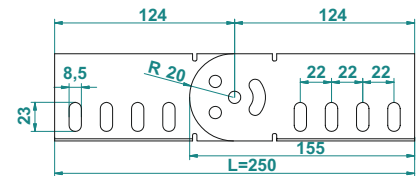


Pre - Galvanized

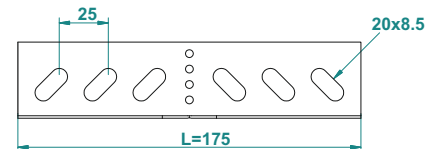
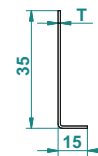
Important!  
To install cable tray - connector use Screw Sets CFS M6 or CFS M8

BYDU 1 ... H40				1.2mm	BYDU 1 ... H40				1.5mm
CODE	Length L mm	kg 1 pc	pcs		CODE	Length L mm	kg 1 pc	pcs	
BYDU 140 12 PG	1000	0.3	100		BYDU 140 15 PG	1000	0.38	100	

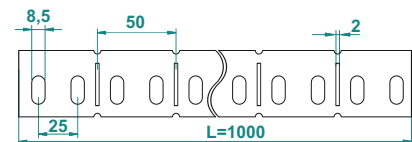
### BDD 2 H40



### BYD 2 H40



### BYDU 1 H40



### APPLICATIONS

Cable routing

### MATERIAL

Steel, strip-galv. acc. to the Sendzimir method to TS-EN 10346:2011 (PG)

Available finishes:

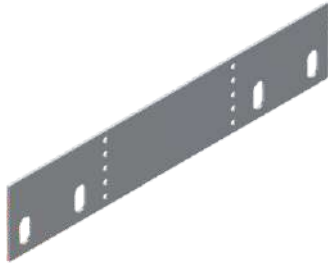
HDG-steel, hot-dip galv. to TS-EN ISO 1461:2011 (HDG)  
SS- stainless steel AISI 304L and AISI 316L (SS)  
EP- powder coating in a full range of colours (RAL)

Thickn. (ga) [mm]:

0.6 0.8 1.0 1.2 1.5

## Reducer Connector - Single Type

Redüksiyon Eki (Tek) - Редукционный переходник



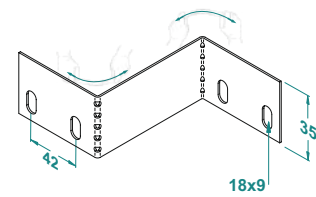
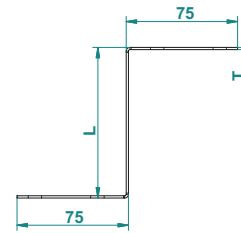
Pre - Galvanized

Important!  
To install cable tray - reducer use Screw Sets  
CFS M6 or CFS M8

RT ... H40		1.5mm	
CODE	Length L mm	KG 1 pc	pcs
RT 40 25 15 PG	25	0,074	1
RT 40 50 15 PG	50	0,085	1
RT 40 75 15 PG	75	0,095	1
RT 40 100 15 PG	100	0,106	1
RT 40 125 15 PG	125	0,117	1
RT 40 150 15 PG	150	0,127	1
RT 40 175 15 PG	175	0,138	1
RT 40 200 15 PG	200	0,149	1
RT 40 225 15 PG	225	0,159	1
RT 40 250 15 PG	250	0,169	1
RT 40 275 15 PG	275	0,18	1
RT 40 300 15 PG	300	0,191	1

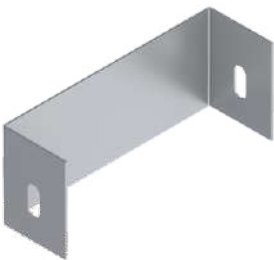
RT ... H40		1.5mm	
CODE	Length L mm	KG 1 pc	pcs
RT 40 325 15 PG	325	0,224	1
RT 40 350 15 PG	350	0,236	1
RT 40 375 15 PG	375	0,247	1
RT 40 400 15 PG	400	0,259	1
RT 40 425 15 PG	425	0,271	1
RT 40 450 15 PG	450	0,283	1
RT 40 475 15 PG	475	0,294	1
RT 40 500 15 PG	500	0,306	1
RT 40 525 15 PG	525	0,318	1
RT 40 550 15 PG	550	0,330	1
RT 40 575 15 PG	575	0,342	1

### RT H40



## Stop End (Blind End)

Sonlandırma - Заглушка



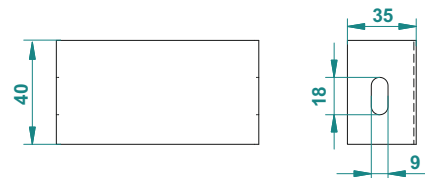
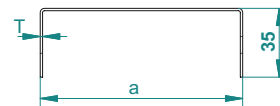
Pre - Galvanized

Important!  
To install cable tray - stop end use Screw Sets  
CFS M6 or CFS M8

SON ... H40		1.2mm	
CODE	Width a mm	KG 1 pc	pcs
SON 405 12 PG	50	0,058	1
SON 407 12 PG	75	0,066	1
SON 410 12 PG	100	0,075	1
SON 412 12 PG	125	0,083	1
SON 415 12 PG	150	0,092	1
SON 420 12 PG	200	0,109	1
SON 422 12 PG	225	0,117	1
SON 425 12 PG	250	0,125	1
SON 430 12 PG	300	0,142	1
SON 440 12 PG	400	0,176	1
SON 445 12 PG	450	0,194	1
SON 450 12 PG	500	0,211	1
SON 460 12 PG	600	0,244	1

SON ... H40		1.5mm	
CODE	Width a mm	KG 1 pc	pcs
SON 405 15 PG	50	0,072	1
SON 407 15 PG	75	0,083	1
SON 410 15 PG	100	0,094	1
SON 412 15 PG	125	0,104	1
SON 415 15 PG	150	0,114	1
SON 420 15 PG	200	0,136	1
SON 422 15 PG	225	0,146	1
SON 425 15 PG	250	0,157	1
SON 430 15 PG	300	0,178	1
SON 440 15 PG	400	0,221	1
SON 445 15 PG	450	0,241	1
SON 450 15 PG	500	0,263	1
SON 460 15 PG	600	0,305	1

### SON H40



### APPLICATIONS

Cable routing

### MATERIAL

Steel, strip-galv. acc. to the Sendzimir method  
to TS-EN 10346:2011 (PG)

Available finishes:

HDG-steel, hot-dip galv. to TS-EN ISO 1461:2011 (HDG)

SS- stainless steel AISI 304L and AISI 316L (SS)

EP- powder coating in a full range of colours (RAL)

Thickn. (ga) [mm]:

**0.6 0.8 1.0 1.2 1.5**

## Integrated Perforated Cable Trays - Return Flanges

Geçmeli Tip Kablo Kanalı - Интегрированные Перфорированные лотки



Important!  
Joining cable tray sections together only use  
Screw Sets CFS M6 or CFS M8

### Pre - Galvanised

GPK ... H50		0.6mm		
CODE	Width a mm	Length L mm	KG 1 mt	pcs
GPK 505 06 PG	50	3000	0.64	2
GPK 507 06 PG	75	3000	0.73	2
GPK 510 06 PG	100	3000	0.82	2
GPK 512 06 PG	125	3000	0.92	2
GPK 515 06 PG	150	3000	1.02	2
GPK 520 06 PG	200	3000	1.20	2

GPK ... H50		0.7mm		
CODE	Width a mm	Length L mm	KG 1 mt	pcs
GPK 505 07 PG	50	3000	0.80	2
GPK 507 07 PG	75	3000	0.91	2
GPK 510 07 PG	100	3000	1.02	2
GPK 512 07 PG	125	3000	1.14	2
GPK 515 07 PG	150	3000	1.26	2
GPK 520 07 PG	200	3000	1.49	2

GPK ... H50		0.8mm		
CODE	Width a mm	Length L mm	KG 1 mt	pcs
GPK 505 08 PG	50	3000	0.84	2
GPK 507 08 PG	75	3000	0.97	2
GPK 510 08 PG	100	3000	1.10	2
GPK 512 08 PG	125	3000	1.22	2
GPK 515 08 PG	150	3000	1.34	2
GPK 520 08 PG	200	3000	1.60	2
GPK 522 08 PG	225	3000	1.72	2
GPK 525 08 PG	250	3000	1.85	2
GPK 530 08 PG	300	3000	2.10	2

GPK ... H50		1.0mm		
CODE	Width a mm	Length L mm	KG 1 mt	pcs
GPK 505 10 PG	50	3000	1.05	2
GPK 507 10 PG	75	3000	1.20	2
GPK 510 10 PG	100	3000	1.36	2
GPK 512 10 PG	125	3000	1.52	2
GPK 515 10 PG	150	3000	1.67	2
GPK 520 10 PG	200	3000	1.99	2
GPK 522 10 PG	225	3000	2.14	2
GPK 525 10 PG	250	3000	2.30	2
GPK 530 10 PG	300	3000	2.62	2
GPK 540 10 PG	400	3000	3.25	2

GPK ... H50		1.2mm		
CODE	Width a mm	Length L mm	KG 1 mt	pcs
GPK 545 12 PG	450	3000	4.27	2
GPK 550 12 PG	500	3000	4.65	2
GPK 560 12 PG	600	3000	5.40	2

### MATERIAL

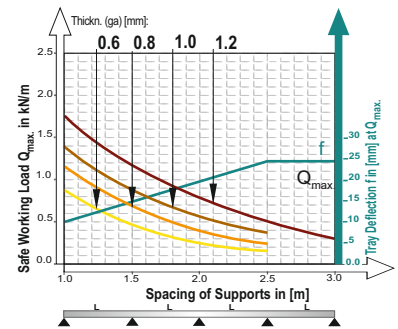
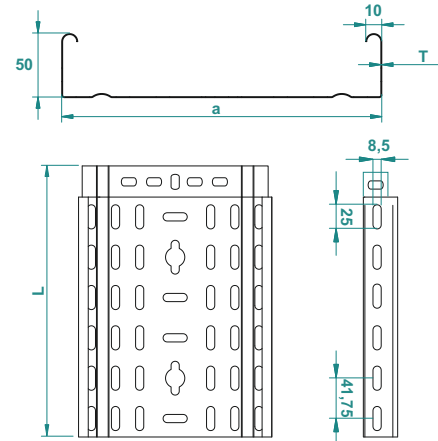
Steel, strip-galv. acc. to the Sendzimir method to TS-EN 10346:2011 (PG)

Thickn. (ga) [mm]: **0.6 | 0.7 | 0.8 | 1.0 | 1.2**

### Mounting Example



### GPK H50



This diagram comply with IEC 61537 with connection to 1/5 of the span and the end span = 0,8x the span  
 $Q = \text{max. admissible load (kg/m)}$   
 $L = \text{support distance (m)}$   
 $f = \text{Deflection (mm) / Max. deflection} = L/100$   
 Safely co-efficient = 1.5

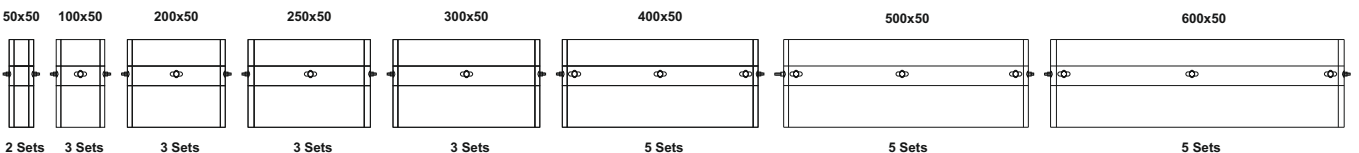


Width	Usable Cross-Section
50	23 cm <sup>2</sup>
100	48 cm <sup>2</sup>
150	73 cm <sup>2</sup>
200	98 cm <sup>2</sup>
300	148 cm <sup>2</sup>
400	198 cm <sup>2</sup>
500	248 cm <sup>2</sup>
600	298 cm <sup>2</sup>

### Recommended Quantities of Bolt and Nut For Integrated Cable Tray Connections

W	H	40	50	60	75	80	85	100
Width Of Cable Tray	50	2 Sets	2 Sets	2 Sets	-	-	-	-
	100	3 Sets	3 Sets	3 Sets	5 Sets	5 Sets	5 Sets	5 Sets
	150	3 Sets	3 Sets	3 Sets	5 Sets	5 Sets	5 Sets	5 Sets
	200	3 Sets	3 Sets	3 Sets	5 Sets	5 Sets	5 Sets	5 Sets
	250	3 Sets	3 Sets	3 Sets	5 Sets	5 Sets	5 Sets	5 Sets
	300	3 Sets	3 Sets	3 Sets	5 Sets	5 Sets	5 Sets	5 Sets
	400	5 Sets	5 Sets	5 Sets	7 Sets	7 Sets	7 Sets	7 Sets
	500	5 Sets	5 Sets	5 Sets	7 Sets	7 Sets	7 Sets	7 Sets
600	5 Sets	5 Sets	5 Sets	7 Sets	7 Sets	7 Sets	7 Sets	

### Recommended Quantities of Bolt and Nut For Integrated Cable Tray Connections



## Integrated Non Perforated Cable Trays - Return Flanges

Geçmeli Tip Deliksiz Kablo Kanalı - Интегрированные Сплошные лотки



### Pre - Galvanised

GDK ... H50		0.6mm	
CODE	Width a mm	Length L mm	KG 1 mt
GDK 505 06 PG	50	3000	0.80
GDK 507 06 PG	75	3000	0.91
GDK 510 06 PG	100	3000	1.03
GDK 512 06 PG	125	3000	1.15
GDK 515 06 PG	150	3000	1.27
GDK 520 06 PG	200	3000	1.5

GDK ... H50		0.7mm	
CODE	Width a mm	Length L mm	KG 1 mt
GDK 505 07 PG	50	3000	0.93
GDK 507 07 PG	75	3000	1.07
GDK 510 07 PG	100	3000	1.20
GDK 512 07 PG	125	3000	1.34
GDK 515 07 PG	150	3000	1.48
GDK 520 07 PG	200	3000	1.75

Important!  
Joining cable tray sections together only use  
Screw Sets CFS M6 or CFS M8

GDK ... H50		0.8mm	
CODE	Width a mm	Length L mm	KG 1 mt
GDK 505 08 PG	50	3000	1.05
GDK 507 08 PG	75	3000	1.21
GDK 510 08 PG	100	3000	1.37
GDK 512 08 PG	125	3000	1.52
GDK 515 08 PG	150	3000	1.68
GDK 520 08 PG	200	3000	2.00
GDK 522 08 PG	225	3000	2.15
GDK 525 08 PG	250	3000	2.31
GDK 530 08 PG	300	3000	2.62

GDK ... H50		1.0mm	
CODE	Width a mm	Length L mm	KG 1 mt
GDK 505 10 PG	50	3000	1.31
GDK 507 10 PG	75	3000	1.50
GDK 510 10 PG	100	3000	1.70
GDK 512 10 PG	125	3000	1.90
GDK 515 10 PG	150	3000	2.09
GDK 520 10 PG	200	3000	2.49
GDK 522 10 PG	225	3000	2.68
GDK 525 10 PG	250	3000	2.88
GDK 530 10 PG	300	3000	3.27
GDK 540 10 PG	400	3000	4.06

GDK ... H50		1.2mm	
CODE	Width a mm	Length L mm	KG 1 mt
GDK 545 12 PG	450	3000	5.34
GDK 550 12 PG	500	3000	5.81
GDK 560 12 PG	600	3000	6.75

### MATERIAL

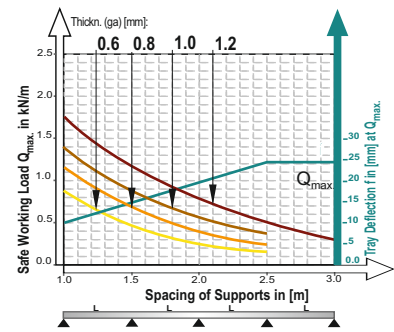
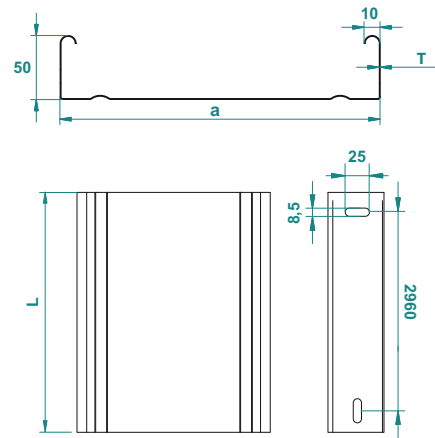
Steel, strip-galv. acc. to the Sendzimir method to TS-EN 10346:2011 (PG)

Thickn. (ga) [mm]: 0.6 | 0.7 | 0.8 | 1.0 | 1.2

### Mounting Example



### GDK H50



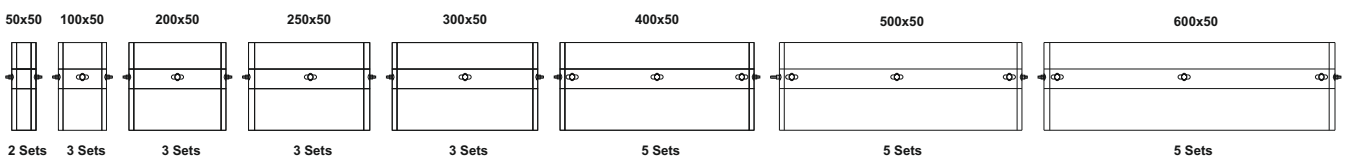
This diagram comply with IEC 61537 with connection to 1/5 of the span and the end span = 0,8x the span  
 Q = max. admissible load (kg/m)  
 L = support distance (m)  
 f = Deflection (mm) / Max. deflection = L/100  
 Safety co-efficient = 1.5

Width	Usable Cross-Section
50	23 cm <sup>2</sup>
100	48 cm <sup>2</sup>
150	73 cm <sup>2</sup>
200	98 cm <sup>2</sup>
300	148 cm <sup>2</sup>
400	198 cm <sup>2</sup>
500	248 cm <sup>2</sup>
600	298 cm <sup>2</sup>

### Recommended Quantities of Bolt and Nut For Integrated Cable Tray Connections

W	H	40	50	60	75	80	85	100
Width of Cable Tray	50	2 Sets	2 Sets	2 Sets	-	-	-	-
	100	3 Sets	3 Sets	3 Sets	5 Sets	5 Sets	5 Sets	5 Sets
	150	3 Sets	3 Sets	3 Sets	5 Sets	5 Sets	5 Sets	5 Sets
	200	3 Sets	3 Sets	3 Sets	5 Sets	5 Sets	5 Sets	5 Sets
	250	3 Sets	3 Sets	3 Sets	5 Sets	5 Sets	5 Sets	5 Sets
	300	3 Sets	3 Sets	3 Sets	5 Sets	5 Sets	5 Sets	5 Sets
	400	5 Sets	5 Sets	5 Sets	7 Sets	7 Sets	7 Sets	7 Sets
	500	5 Sets	5 Sets	5 Sets	7 Sets	7 Sets	7 Sets	7 Sets
600	5 Sets	5 Sets	5 Sets	7 Sets	7 Sets	7 Sets	7 Sets	

### Recommended Quantities of Bolt and Nut For Integrated Cable Tray Connections



## Perforated Cable Trays - Return Flanges

Ağır Hizmet Kablo Kanalı - Перфорированные лотки



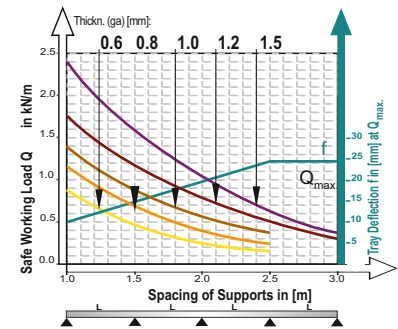
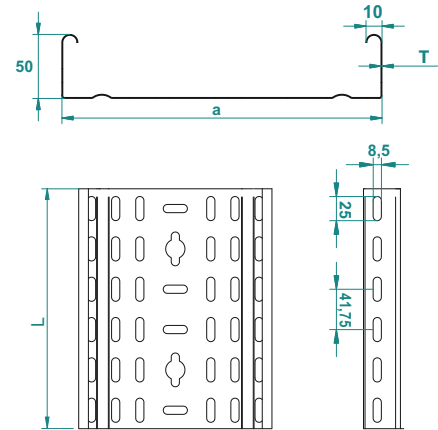
**Important!**  
Joining cable tray sections together only through the use of couplers 2 pcs for 1 Length  
To install cable tray - straight use Screw Sets CFS M6 or CFS M8

### Pre - Galvanised

APK ... H50		0.6mm			
CODE	Width a mm	Length L mm	KG 1 mt	pcs	
APK 505 06 PG	50	3000	0.64	2	
APK 507 06 PG	75	3000	0.73	2	
APK 510 06 PG	100	3000	0.82	2	
APK 512 06 PG	125	3000	0.92	2	
APK 515 06 PG	150	3000	1.02	2	
APK 520 06 PG	200	3000	1.20	2	
		0.8mm			
APK 505 08 PG	50	3000	0.84	2	
APK 507 08 PG	75	3000	0.97	2	
APK 510 08 PG	100	3000	1.10	2	
APK 512 08 PG	125	3000	1.22	2	
APK 515 08 PG	150	3000	1.34	2	
APK 520 08 PG	200	3000	1.60	2	
APK 522 08 PG	225	3000	1.72	2	
APK 525 08 PG	250	3000	1.85	2	
APK 530 08 PG	300	3000	2.10	2	
		1.0mm			
APK 505 10 PG	50	3000	1.05	2	
APK 507 10 PG	75	3000	1.20	2	
APK 510 10 PG	100	3000	1.36	2	
APK 512 10 PG	125	3000	1.52	2	
APK 515 10 PG	150	3000	1.67	2	
APK 520 10 PG	200	3000	1.99	2	
APK 522 10 PG	225	3000	2.14	2	
APK 525 10 PG	250	3000	2.30	2	
APK 530 10 PG	300	3000	2.62	2	
APK 540 10 PG	400	3000	3.25	2	

APK ... H50		1.2mm			
CODE	Width a mm	Length L mm	KG 1 mt	pcs	
APK 505 12 PG	50	3000	1.26	2	
APK 507 12 PG	75	3000	1.44	2	
APK 510 12 PG	100	3000	1.63	2	
APK 512 12 PG	125	3000	1.82	2	
APK 515 12 PG	150	3000	2.01	2	
APK 520 12 PG	200	3000	2.38	2	
APK 522 12 PG	225	3000	2.58	2	
APK 525 12 PG	250	3000	2.76	2	
APK 530 12 PG	300	3000	3.14	2	
APK 540 12 PG	400	3000	3.90	2	
APK 545 12 PG	450	3000	4.27	2	
APK 550 12 PG	500	3000	4.65	2	
APK 560 12 PG	600	3000	5.40	2	
		1.5mm			
APK 505 15 PG	50	3000	1.55	2	
APK 507 15 PG	75	3000	1.78	2	
APK 510 15 PG	100	3000	2.02	2	
APK 512 15 PG	125	3000	2.26	2	
APK 515 15 PG	150	3000	2.49	2	
APK 520 15 PG	200	3000	2.96	2	
APK 522 15 PG	225	3000	3.20	2	
APK 525 15 PG	250	3000	3.43	2	
APK 530 15 PG	300	3000	3.90	2	
APK 540 15 PG	400	3000	4.85	2	
APK 545 15 PG	450	3000	5.32	2	
APK 550 15 PG	500	3000	5.78	2	
APK 560 15 PG	600	3000	6.73	2	

### APK H50



This diagram comply with IEC 61537 with connection to 1/5 of the span and the end span = 0,8x the span  
Q = max. admissible load (kg/m)  
L = support distance (m)  
f = Deflection (mm) / Max. deflection = L/100  
Safety co-efficient = 1.5

Width	Usable Cross-Section
50	23 cm <sup>2</sup>
100	48 cm <sup>2</sup>
150	73 cm <sup>2</sup>
200	98 cm <sup>2</sup>
300	148 cm <sup>2</sup>
400	198 cm <sup>2</sup>
500	248 cm <sup>2</sup>
600	298 cm <sup>2</sup>



## Straight Connector (Coupler)

Birleştirme Elemanı - Прямой соединитель



To Install one length ;use 2 pieces of KBE connector 8 sets of CFS bolts and nuts. (M6 or M8)

### Pre - Galvanised

KBE 2 ... H50		1.2mm			
CODE	Length L mm	KG 1 pc	pcs		
KBE 250 12 PG	175	0.09	100		

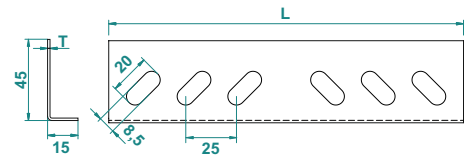
KBE 2 ... H50		1.5mm			
CODE	Length L mm	KG 1 pc	pcs		
KBE 250 15 PG	175	0.11	100		

### Electro - Galvanized

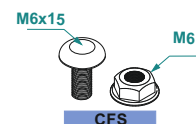
CFS M6		M6			
CODE	Size mm	Length L mm	KG 1Set	pcs	
CFS M6 EG	M6	15	0,008	500	

CFS M8		M8			
CODE	Size mm	Length L mm	KG 1Set	pcs	
CFS M8 EG	M8	15	0,014	500	

### KBE 2 H50



M6x15 Round head squire neck bolt & M6 Flanged nut



### APPLICATIONS

Cable routing

### MATERIAL

Steel, strip-galv. acc. to the Sendzimir method to TS-EN 10346:2011 (PG)

Available finishes:

HDG-steel, hot-dip galv. to TS-EN ISO 1461:2011 (HDG)  
SS- stainless steel AISI 304L and AISI 316L (SS)  
EP- powder coating in a full range of colours (RAL)

Thickn. (ga) [mm]: **0.6 | 0.8 | 1.0 | 1.2 | 1.5**

## Non Perforated Cable Trays - Return Flanges

Ağır Hizmet Deliksiz Kablo Kanalı - Сплошные лотки



Important!  
Joining cable tray sections together only through the use of couplers 2 pcs for 1 Length  
To install cable tray - straight use Screw Sets CFS M6 or CFS M8

### Pre - Galvanised

ADK ... H50		0.6mm			
CODE	Width a mm	Length L mm	KG 1 mt	pcs	
ADK 505 06 PG	50	3000	0.80	2	
ADK 507 06 PG	75	3000	0.91	2	
ADK 510 06 PG	100	3000	1.03	2	
ADK 512 06 PG	125	3000	1.15	2	
ADK 515 06 PG	150	3000	1.27	2	
ADK 520 06 PG	200	3000	1.50	2	
		0.8mm			
ADK 505 08 PG	50	3000	1.05	2	
ADK 507 08 PG	75	3000	1.21	2	
ADK 510 08 PG	100	3000	1.37	2	
ADK 512 08 PG	125	3000	1.52	2	
ADK 515 08 PG	150	3000	1.68	2	
ADK 520 08 PG	200	3000	2.00	2	
ADK 522 08 PG	225	3000	2.15	2	
ADK 525 08 PG	250	3000	2.31	2	
ADK 530 08 PG	300	3000	2.62	2	
		1.0mm			
ADK 505 10 PG	50	3000	1.31	2	
ADK 507 10 PG	75	3000	1.50	2	
ADK 510 10 PG	100	3000	1.70	2	
ADK 512 10 PG	125	3000	1.90	2	
ADK 515 10 PG	150	3000	2.09	2	
ADK 520 10 PG	200	3000	2.49	2	
ADK 522 10 PG	225	3000	2.68	2	
ADK 525 10 PG	250	3000	2.88	2	
ADK 530 10 PG	300	3000	3.27	2	
ADK 540 10 PG	400	3000	4.06	2	

ADK ... H50		1.2mm			
CODE	Width a mm	Length L mm	KG 1 mt	pcs	
ADK 505 12 PG	50	3000	1.57	2	
ADK 507 12 PG	75	3000	1.80	2	
ADK 510 12 PG	100	3000	2.04	2	
ADK 512 12 PG	125	3000	2.28	2	
ADK 515 12 PG	150	3000	2.51	2	
ADK 520 12 PG	200	3000	2.98	2	
ADK 522 12 PG	225	3000	3.22	2	
ADK 525 12 PG	250	3000	3.45	2	
ADK 530 12 PG	300	3000	3.92	2	
ADK 540 12 PG	400	3000	4.87	2	
ADK 545 12 PG	450	3000	5.34	2	
ADK 550 12 PG	500	3000	5.81	2	
ADK 560 12 PG	600	3000	6.75	2	
		1.5mm			
ADK 505 15 PG	50	3000	1.94	2	
ADK 507 15 PG	75	3000	2.23	2	
ADK 510 15 PG	100	3000	2.52	2	
ADK 512 15 PG	125	3000	2.82	2	
ADK 515 15 PG	150	3000	3.11	2	
ADK 520 15 PG	200	3000	3.70	2	
ADK 522 15 PG	225	3000	4.00	2	
ADK 525 15 PG	250	3000	4.29	2	
ADK 530 15 PG	300	3000	4.88	2	
ADK 540 15 PG	400	3000	6.06	2	
ADK 545 15 PG	450	3000	6.65	2	
ADK 550 15 PG	500	3000	7.23	2	
ADK 560 15 PG	600	3000	8.41	2	

## Separator

Separator - Перегородка



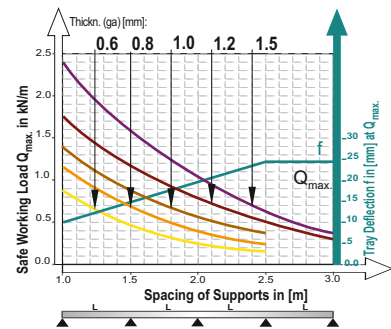
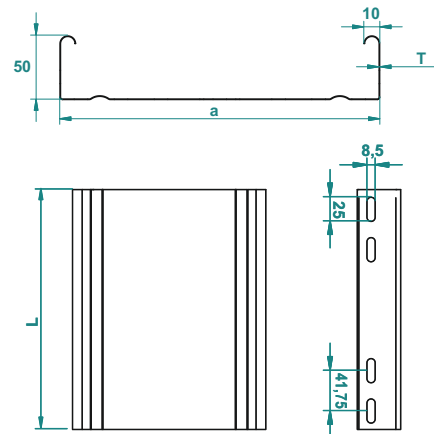
To Install Separator use CFS bolts and nuts. ( M6 or M8)

### Pre - Galvanised

SEP 1 ... H50		1.0mm			
CODE	Length L mm	KG 1m	pcs		
SEP 150 10 PG	3000	0.5	1		

SEP 1 ... H50		1.5mm			
CODE	Length L mm	KG 1m	pcs		
SEP 150 15 PG	3000	0.75	1		

## ADK H50

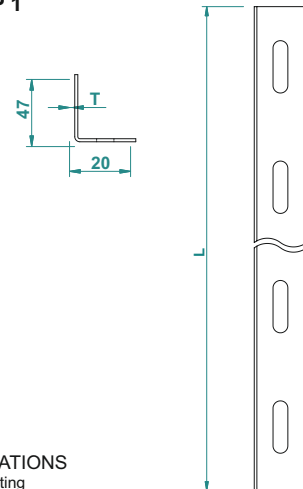


This diagram comply with IEC 61537 with connection to 1/5 of the span and the end span = 0,8x the span  
Q = max. admissible load (kg/m)  
L = support distance (m)  
f = Deflection (mm) / Max. deflection = L/100  
Safety co-efficient = 1.5

Width	Usable Cross-Section
50	23 cm²
100	48 cm²
150	73 cm²
200	98 cm²
300	148 cm²
400	198 cm²
500	248 cm²
600	298 cm²



## SEP 1



APPLICATIONS  
Cable routing

MATERIAL  
Steel, strip-galv. acc. to the Sendzimir method to TS-EN 10346:2011 (PG)

Available finishes:  
HDG-steel, hot-dip galv. to TS-EN ISO 1461:2011 (HDG)  
SS- stainless steel AISI 304L and AISI 316L (SS)  
EP- powder coating in a full range of colours (RAL)

Thickn. (ga) [mm]: **0.6 0.8 1.0 1.2 1.5**

## 90° Horizontal Bend of Cable Tray

90° Yatay Kanal Dönüş Elemanı - Угол горизонтальный 90°



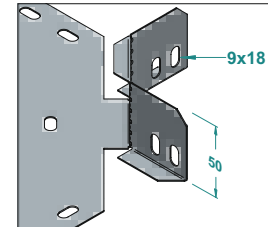
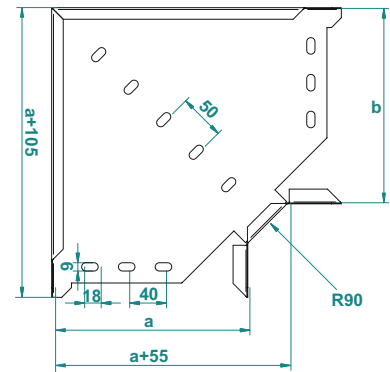
Pre - Galvanised

Important!  
To install cable tray - bend use Screw Sets CFS M6 or CFS M8

KA90 ... H50		1.0mm	
CODE	Width a=b mm	kg 1 pc	pcs
KA90 505 10 PG	50	0.25	1
KA90 507 10 PG	75	0.32	1
KA90 510 10 PG	100	0.47	1
KA90 512 10 PG	125	0.57	1
KA90 515 10 PG	150	0.66	1
KA90 520 10 PG	200	0.88	1
KA90 522 10 PG	225	1.01	1
KA90 525 10 PG	250	1.14	1
		1.2mm	
KA90 530 12 PG	300	1.81	1
KA90 540 12 PG	400	2.62	1
KA90 545 12 PG	450	3.09	1
KA90 450 12 PG	500	3.58	1
KA90 560 12 PG	600	4.70	1

KA90 ... H50		1.5mm	
CODE	Width a=b mm	kg 1 pc	pcs
KA90 505 15 PG	50	0.38	1
KA90 507 15 PG	75	0.48	1
KA90 510 15 PG	100	0.71	1
KA90 512 15 PG	125	0.85	1
KA90 515 15 PG	150	0.99	1
KA90 520 15 PG	200	1.33	1
KA90 522 15 PG	225	1.50	1
KA90 525 15 PG	250	1.70	1
KA90 530 15 PG	300	2.26	1
KA90 540 15 PG	400	3.28	1
KA90 545 15 PG	450	3.86	1
KA90 550 15 PG	500	4.49	1
KA90 560 15 PG	600	5.88	1

### KA90 H50



## 45° Horizontal Bend of Cable Tray

45° Yatay Kanal Dönüş Elemanı - Угол горизонтальный 45°



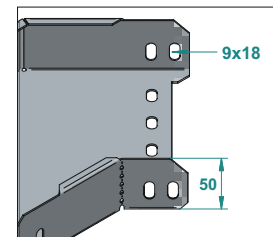
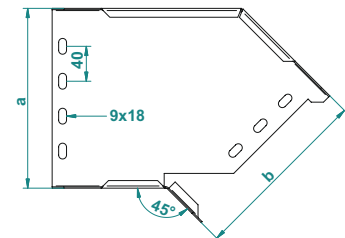
Pre - Galvanised

Important!  
To install cable tray - bend use Screw Sets CFS M6 or CFS M8

KA45 ... H50		1.0mm	
CODE	Width a=b mm	kg 1 pc	pcs
KA45 505 10 PG	50	0.26	1
KA45 507 10 PG	75	0.33	1
KA45 510 10 PG	100	0.41	1
KA45 512 10 PG	125	0.53	1
KA45 515 10 PG	150	0.62	1
KA45 520 10 PG	200	0.85	1
KA45 522 10 PG	225	0.97	1
KA45 525 10 PG	250	1.10	1
		1.2mm	
KA45 530 12 PG	300	1.65	1
KA45 540 12 PG	400	2.43	1
KA45 545 12 PG	450	2.88	1
KA45 550 12 PG	500	3.37	1
KA45 560 12 PG	600	4.45	1

KA45 ... H50		1.5mm	
CODE	Width a=b mm	kg 1 pc	pcs
KA45 505 15 PG	50	0.39	1
KA45 507 15 PG	75	0.50	1
KA45 510 15 PG	100	0.61	1
KA45 512 15 PG	125	0.80	1
KA45 515 15 PG	150	0.94	1
KA45 520 15 PG	200	1.26	1
KA45 522 15 PG	225	1.45	1
KA45 525 15 PG	250	1.64	1
KA45 530 15 PG	300	2.06	1
KA45 540 15 PG	400	3.04	1
KA45 545 15 PG	450	3.60	1
KA45 550 15 PG	500	4.21	1
KA45 560 15 PG	600	5.56	1

### KA45 H50



### APPLICATIONS

Cable routing

### MATERIAL

Steel, strip-galv. acc. to the Sendzimir method to TS-EN 10346:2011 (PG)

Available finishes:

HDG-steel, hot-dip galv. to TS-EN ISO 1461:2011 (HDG)  
SS- stainless steel AISI 304L and AISI 316L (SS)  
EP- powder coating in a full range of colours (RAL)

Thickn. (ga) [mm]: **0.6 | 0.8 | 1.0 | 1.2 | 1.5**



## Tee Horizontal Bend of Cable Tray

"T" Yatay Kanal Dönüş Elemanı - T-отвод горизонтальный



Pre - Galvanised

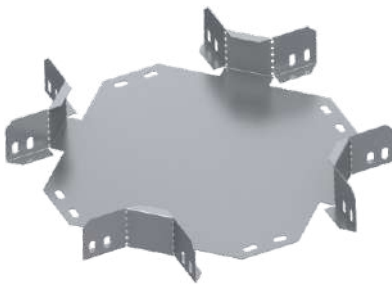
Important!  
To install cable tray - bend use Screw Sets CFS M6 or CFS M8

KAT ... H50		1.0mm	
CODE	Width a=b=c mm	kg 1 pc	pcs
KAT 505 10 PG	50	0.32	1
KAT 507 10 PG	75	0.39	1
KAT 510 10 PG	100	0.59	1
KAT 512 10 PG	125	0.70	1
KAT 515 10 PG	150	0.81	1
KAT 520 10 PG	200	1.05	1
KAT 522 10 PG	225	1.18	1
KAT 525 10 PG	250	1.32	1
		1.2mm	
KAT 530 12 PG	300	2.16	1
KAT 540 12 PG	400	3.05	1
KAT 545 12 PG	450	3.54	1
KAT 550 12 PG	500	4.08	1
KAT 560 12 PG	600	5.27	1

KAT ... H50		1.5mm	
CODE	Width a=b=c mm	kg 1 pc	pcs
KAT 505 15 PG	50	0.48	1
KAT 507 15 PG	75	0.59	1
KAT 510 15 PG	100	0.90	1
KAT 512 15 PG	125	1.05	1
KAT 515 15 PG	150	1.21	1
KAT 520 15 PG	200	1.57	1
KAT 522 15 PG	225	1.77	1
KAT 525 15 PG	250	1.98	1
KAT 530 15 PG	300	2.70	1
KAT 540 15 PG	400	3.81	1
KAT 545 15 PG	450	4.43	1
KAT 550 15 PG	500	5.10	1
KAT 560 15 PG	600	6.58	1

## Cross Bend of Cable Tray

4'lü Bağlantı Elemanı- Крестовина



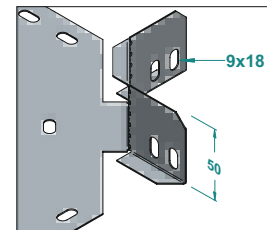
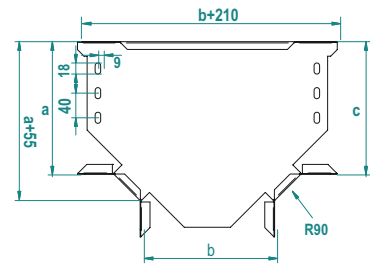
Pre - Galvanised

Important!  
To install cable tray - bend use Screw Sets CFS M6 or CFS M8

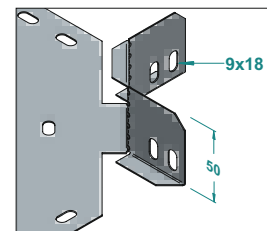
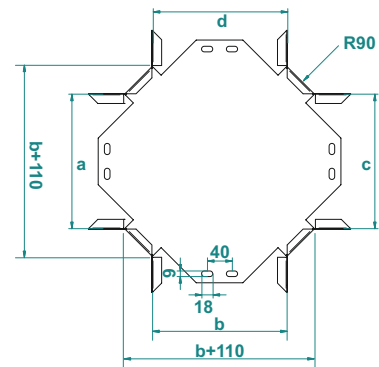
KAD ... H50		1.0mm	
CODE	Width a=b=c=d mm	kg 1 pc	pcs
KAD 505 10 PG	50	0.41	1
KAD 507 10 PG	75	0.50	1
KAD 510 10 PG	100	0.74	1
KAD 512 10 PG	125	0.86	1
KAD 515 10 PG	150	0.98	1
KAD 520 10 PG	200	1.24	1
KAD 522 10 PG	225	1.38	1
KAD 525 10 PG	250	1.54	1
		1.2mm	
KAD 530 12 PG	300	2.58	1
KAD 540 12 PG	400	3.54	1
KAD 545 12 PG	450	4.07	1
KAD 550 12 PG	500	4.64	1
KAD 560 12 PG	600	5.90	1

KAD ... H50		1.5mm	
CODE	Width a=b=c=d mm	kg 1 pc	pcs
KAD 505 15 PG	50	0.62	1
KAD 507 15 PG	75	0.74	1
KAD 510 15 PG	100	0.12	1
KAD 512 15 PG	125	1.29	1
KAD 515 15 PG	150	1.47	1
KAD 520 15 PG	200	1.86	1
KAD 522 15 PG	225	1.08	1
KAD 525 15 PG	250	2.31	1
KAD 530 15 PG	300	3.22	1
KAD 540 15 PG	400	4.42	1
KAD 545 15 PG	450	4.09	1
KAD 550 15 PG	500	5.81	1
KAD 560 15 PG	600	7.38	1

### KAT H50



### KAD H50



### APPLICATIONS

Cable routing

### MATERIAL

Steel, strip-galv. acc. to the Sendzimir method to TS-EN 10346:2011 (PG)

Available finishes:

HDG-steel, hot-dip galv. to TS-EN ISO 1461:2011 (HDG)  
SS- stainless steel AISI 304L and AISI 316L (SS)  
EP- powder coating in a full range of colours (RAL)

Thickn. (ga) [mm]:

**0.6 | 0.8 | 1.0 | 1.2 | 1.5**

## Vertical Outside Bend of Cable Tray (Flexible)

Kanal Dış Bükü - Арка универсальная, внешний изгиб



Pre - Galvanised

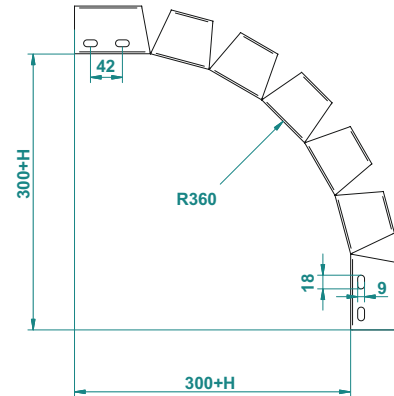
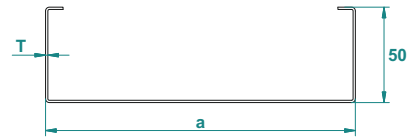
KADB ... H50		1.0mm		KG	pcs
CODE	Width a mm	Length L mm	1 pc	1 pc	1 pc
KADB 505 10 PG	50	600	0.66	1	1
KADB 507 10 PG	75	600	0.75	1	1
KADB 510 10 PG	100	600	0.85	1	1
KADB 512 10 PG	125	600	0.95	1	1
KADB 515 10 PG	150	600	1.05	1	1
KADB 520 10 PG	200	600	1.25	1	1
KADB 522 10 PG	225	600	1.34	1	1
KADB 525 10 PG	250	600	1.44	1	1
		1.2mm		KG	pcs
CODE	Width a mm	Length L mm	1 pc	1 pc	1 pc
KADB 530 12 PG	300	600	1.96	1	1
KADB 540 12 PG	400	600	2.92	1	1
KADB 545 12 PG	450	600	3.20	1	1
KADB 550 12 PG	500	600	3.49	1	1
KADB 560 12 PG	600	600	4.05	1	1

Important!

To install vertical bend - use 2 pieces of KBE connectors and 4 sets of CFS bolts and nuts (M6 or M8).

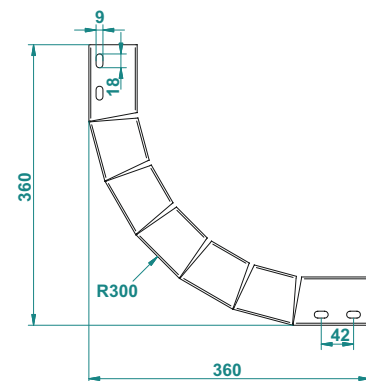
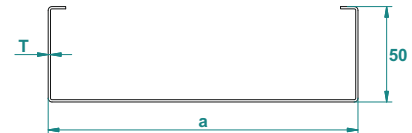
KADB ... H50		1.5mm		KG	pcs
CODE	Width a mm	Length L mm	1 pc	1 pc	1 pc
KADB 505 15 PG	50	600	0.97	1	1
KADB 507 15 PG	75	600	1.12	1	1
KADB 510 15 PG	100	600	1.26	1	1
KADB 512 15 PG	125	600	1.41	1	1
KADB 515 15 PG	150	600	1.56	1	1
KADB 520 15 PG	200	600	1.86	1	1
KADB 522 15 PG	225	600	2.00	1	1
KADB 525 15 PG	250	600	2.14	1	1
KADB 530 15 PG	300	600	2.44	1	1
KADB 540 15 PG	400	600	3.63	1	1
KADB 545 15 PG	450	600	3.99	1	1
KADB 550 15 PG	500	600	4.34	1	1
KADB 560 15 PG	600	600	5.05	1	1

### KADB H50



KADB and KAIB are the same items, shipped flat. To install - Bend manually during application. in Flat Length = 600mm

### KAIB H50



KADB and KAIB are the same items, shipped flat. To install - Bend manually during application. in Flat Length = 600mm

### APPLICATIONS

Cable routing

### MATERIAL

Steel, strip-galv. acc. to the Sendzimir method to TS-EN 10346:2011 (PG)

Available finishes:

HDG-steel, hot-dip galv. to TS-EN ISO 1461:2011 (HDG)  
SS- stainless steel AISI 304L and AISI 316L (SS)  
EP- powder coating in a full range of colours (RAL)

Thickn. (ga) [mm]:

0.6 | 0.8 | 1.0 | 1.2 | 1.5

## Vertical Inside Bend of Cable Tray (Flexible)

Kanal İç Bükü - Арка универсальная, внутренний изгиб



Pre - Galvanised

KAIB ... H50		1.0mm		KG	pcs
CODE	Width a mm	Length L mm	1 pc	1 pc	1 pc
KAIB 505 10 PG	50	600	0.66	1	1
KAIB 507 10 PG	75	600	0.75	1	1
KAIB 510 10 PG	100	600	0.85	1	1
KAIB 512 10 PG	125	600	0.95	1	1
KAIB 515 10 PG	150	600	1.05	1	1
KAIB 520 10 PG	200	600	1.25	1	1
KAIB 522 10 PG	225	600	1.34	1	1
KAIB 525 10 PG	250	600	1.44	1	1
		1.2mm		KG	pcs
CODE	Width a mm	Length L mm	1 pc	1 pc	1 pc
KAIB 530 12 PG	300	600	1.96	1	1
KAIB 540 12 PG	400	600	2.92	1	1
KAIB 545 12 PG	450	600	3.02	1	1
KAIB 550 12 PG	500	600	3.49	1	1
KAIB 560 12 PG	600	600	4.05	1	1

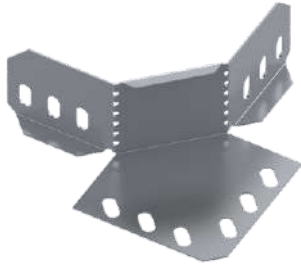
Important!

To install vertical bend - use 2 pieces of KBE connectors and 4 sets of CFS bolts and nuts (M6 or M8).

KAIB ... H50		1.5mm		KG	pcs
CODE	Width a mm	Length L mm	1 pc	1 pc	1 pc
KAIB 505 15 PG	50	600	0.97	1	1
KAIB 507 15 PG	75	600	1.12	1	1
KAIB 510 15 PG	100	600	1.26	1	1
KAIB 512 15 PG	125	600	1.41	1	1
KAIB 515 15 PG	150	600	1.56	1	1
KAIB 520 15 PG	200	600	1.86	1	1
KAIB 522 15 PG	225	600	2.00	1	1
KAIB 525 15 PG	250	600	2.14	1	1
KAIB 530 15 PG	300	600	2.44	1	1
KAIB 540 15 PG	400	600	3.63	1	1
KAIB 545 15 PG	450	600	3.99	1	1
KAIB 550 15 PG	500	600	4.34	1	1
KAIB 560 15 PG	600	600	5.05	1	1

## Add On 90° Horizontal Corner Bend of Cable Tray

90° Köşe Yatay Kanal Dönüş Eki - Угол 90° Врезной



Pre - Galvanised

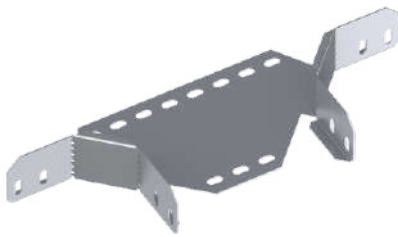
Important!  
To install cable tray - bend use Screw Sets CFS M6 or CFS M8

KA90E ... H50		1.0mm		
CODE	a mm	Radius R mm	KG 1 pc	pcs
KA90E 5 10 PG	55	90	0.16	1
KA90ER1 5 10 PG	90	150	0.24	1
KA90ER2 5 10 PG	180	300	0.51	1

KA90E ... H50		1.5mm		
CODE	a mm	Radius R mm	KG 1 pc	pcs
KA90E 5 15 PG	55	90	0.24	1
KA90ER1 5 15 PG	90	150	0.37	1
KA90ER2 5 15 PG	180	300	0.76	1

## Add on tee horizontal bend

"T" yatay kanal dönüő eki - T-отвод горизонтальный врезной



Pre - Galvanised

Important!  
To install cable tray - bend use Screw Sets CFS M6 or CFS M8

KATE ... H50		1.0mm		
CODE	Width a mm	Radius R mm	KG 1 pc	pcs
KATE 510 10 PG	100	90	0.36	1
KATE 512 10 PG	125	90	0.38	1
KATE 515 10 PG	150	90	0.41	1
KATE 520 10 PG	200	90	0.46	1
KATE 522 10 PG	225	90	0.49	1
KATE 525 10 PG	250	90	0.51	1

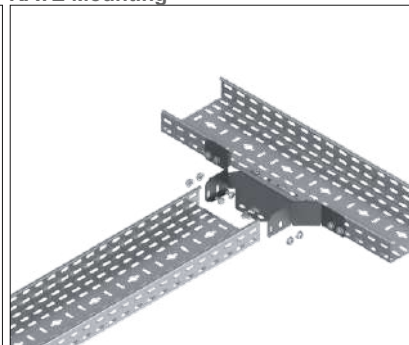
KATE ... H50		1.2mm		
CODE	Width a mm	Radius R mm	KG 1 pc	pcs
KATE 530 12 PG	300	90	0.67	1
KATE 540 12 PG	400	90	0.79	1
KATE 545 12 PG	450	90	0.86	1
KATE 550 12 PG	500	90	0.92	1
KATE 560 12 PG	600	90	1.04	1

KATE ... H50		1.5mm		
CODE	Width a mm	Radius R mm	KG 1 pc	pcs
KATER1 510 15 PG	100	150	1.05	1
KATER1 512 15 PG	125	150	1.11	1
KATER1 515 15 PG	150	150	1.18	1
KATER1 520 15 PG	200	150	1.30	1
KATER1 522 15 PG	225	150	1.36	1
KATER1 525 15 PG	250	150	1.42	1
KATER1 530 15 PG	300	150	1.54	1
KATER1 540 15 PG	400	150	1.78	1
KATER1 545 15 PG	450	150	1.91	1
KATER1 550 15 PG	500	150	2.03	1
KATER1 560 15 PG	600	150	2.28	1

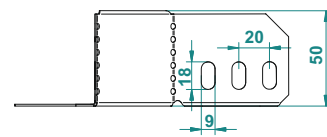
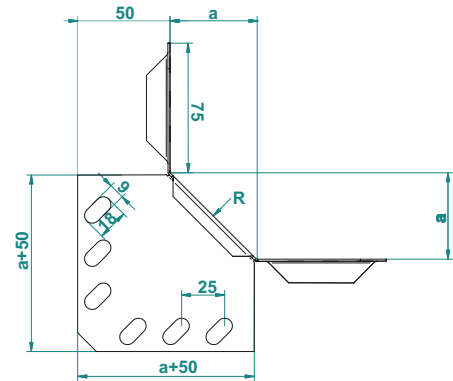
### KA90E Mounting



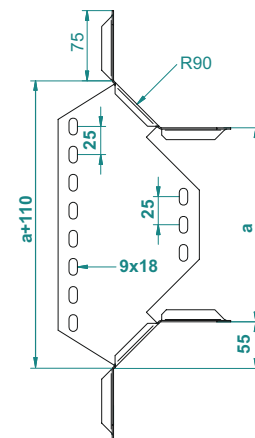
### KATE Mounting



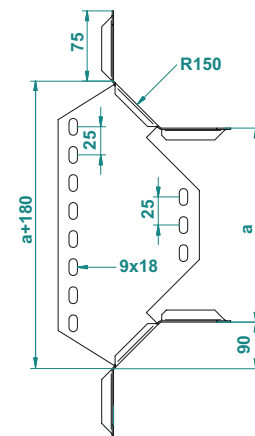
### KA90E H50



### KATE



### KATER1



### APPLICATIONS

Cable routing

### MATERIAL

Steel, strip-galv. acc. to the Sendzimir method to TS-EN 10346:2011 (PG)

Available finishes:

HDG-steel, hot-dip galv. to TS-EN ISO 1461:2011 (HDG)

SS- stainless steel AISI 304L and AISI 316L (SS)

EP- powder coating in a full range of colours (RAL)

Thickn. (ga) [mm]:

**0.6 0.8 1.0 1.2 1.5**

## Adjustable Vertical Connector (2 Pcs)

*Dikey Seviye Degistirme Eki (2 Adet) - Шарнирный соединитель для лотка*



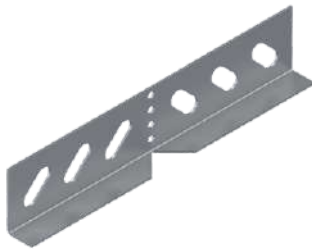
Pre - Galvanised

To Install one lenght; use 2 pieces of BDD connector and 10 sets of CFS bolts and nuts. (M6 or M8)

BDD 2 ... H50				BDD 2 ... H50			
1.2mm				1.5mm			
CODE	Length L mm	KG 1 pc	pcs	CODE	Length L mm	KG 1 pc	pcs
BDD 250 12 PG	250	0.16	1	BDD 250 15 PG	250	0.2	1

## Adjustable Horizontal Connector

*Yatay Seviye Degistirme Eki - Угловой соединитель*



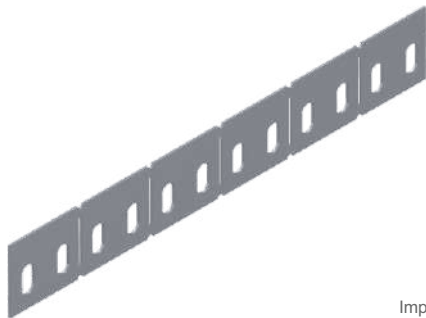
Pre - Galvanised

To Install one lenght; use 2 pieces of BYD connector and 8 sets of CFS bolts and nuts. (M6 or M8)

BYD 2 ... H50				BYD 2 ... H50			
1.2mm				1.5mm			
CODE	Length L mm	KG 1 pc	pcs	CODE	Length L mm	KG 1 pc	pcs
BYD 250 12 PG	175	0.09	1	BYD 250 15 PG	175	0.11	1

## Adjustable horizontal connector - Long Type

*Yatay seviye degistirme eki uzun tip - Угловой соединитель - длинный*

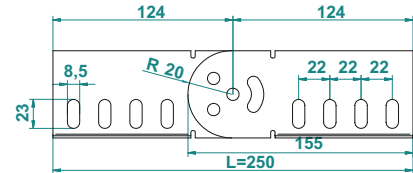
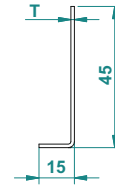


Pre - Galvanised

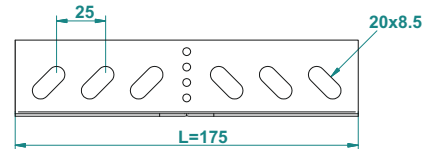
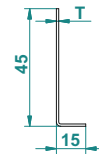
Important!  
To install cable tray - connector use Screw Sets CFS M6 or CFS M8

BYDU 1 ... H50				BYDU 1 ... H50			
1.2mm				1.5mm			
CODE	Length L mm	KG 1 pc	pcs	CODE	Length L mm	KG 1 pc	pcs
BYDU 150 12 PG	1000	0.3	1	BYDU 150 15 PG	1000	0.38	1

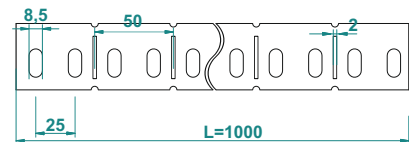
### BDD 2 H50



### BYD 2 H50



### BYDU 1 H50



### APPLICATIONS

Cable routing

### MATERIAL

Steel, strip-galv. acc. to the Sendzimir method to TS-EN 10346:2011 (PG)

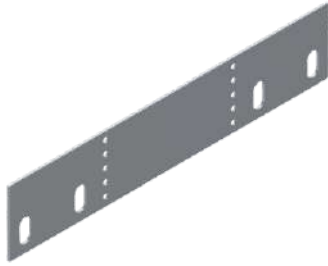
Available finishes:

HDG-steel, hot-dip galv. to TS-EN ISO 1461:2011 (HDG)  
SS- stainless steel AISI 304L and AISI 316L (SS)  
EP- powder coating in a full range of colours (RAL)

Thickn. (ga) [mm]: **0.6 0.8 1.0 1.2 1.5**

## Reducer Connector - Single Type

Redüksiyon Eki (Tek) - Редукционный переходник



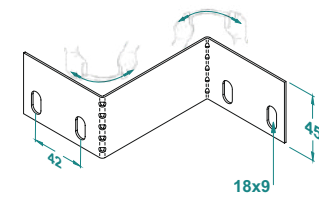
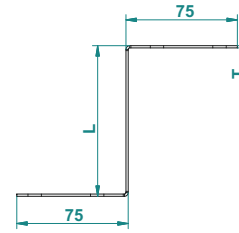
Pre - Galvanised

Important!  
To install cable tray - reducer use Screw Sets  
CFS M6 or CFS M8

RT ... H50		1.5mm	
CODE	Length L mm	KG 1 pc	pcs
RT 50 25 15 PG	25	0,093	1
RT 50 50 15 PG	50	0,106	1
RT 50 75 15 PG	75	0,119	1
RT 50 100 15 PG	100	0,132	1
RT 50 125 15 PG	125	0,146	1
RT 50 150 15 PG	150	0,159	1
RT 50 175 15 PG	175	0,172	1
RT 50 200 15 PG	200	0,185	1
RT 50 225 15 PG	225	0,199	1
RT 50 250 15 PG	250	0,212	1
RT 50 275 15 PG	275	0,225	1
RT 50 300 15 PG	300	0,239	1

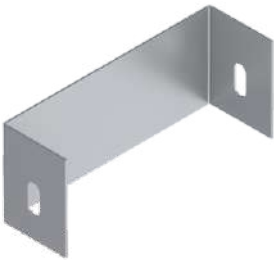
RT ... H50		1.5mm	
CODE	Length L mm	KG 1 pc	pcs
RT 50 325 15 PG	325	0,252	1
RT 50 350 15 PG	350	0,265	1
RT 50 375 15 PG	375	0,278	1
RT 50 400 15 PG	400	0,292	1
RT 50 425 15 PG	425	0,305	1
RT 50 450 15 PG	450	0,318	1
RT 50 475 15 PG	475	0,331	1
RT 50 500 15 PG	500	0,345	1
RT 50 525 15 PG	525	0,357	1
RT 50 550 15 PG	550	0,371	1
RT 50 575 15 PG	575	0,384	1

## RT H50



## Stop End (Blind End)

Sonlandırma - Заглушка



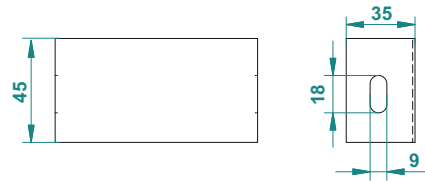
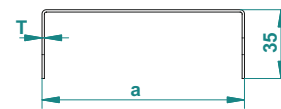
Pre - Galvanised

Important!  
To install cable tray - stop end use Screw Sets  
CFS M6 or CFS M8

SON ... H50		1.2mm	
CODE	Width a mm	KG 1 pc	pcs
SON 505 12 PG	50	0,072	1
SON 507 12 PG	75	0,083	1
SON 510 12 PG	100	0,094	1
SON 512 12 PG	125	0,104	1
SON 515 12 PG	150	0,114	1
SON 520 12 PG	200	0,136	1
SON 522 12 PG	225	0,146	1
SON 525 12 PG	250	0,157	1
SON 530 12 PG	300	0,178	1
SON 540 12 PG	400	0,221	1
SON 545 12 PG	450	0,241	1
SON 550 12 PG	500	0,263	1
SON 560 12 PG	600	0,305	1

SON ... H50		1.5mm	
CODE	Width a mm	KG 1 pc	pcs
SON 505 15 PG	50	0,090	1
SON 507 15 PG	75	0,104	1
SON 510 15 PG	100	0,117	1
SON 512 15 PG	125	0,130	1
SON 515 15 PG	150	0,143	1
SON 520 15 PG	200	0,169	1
SON 522 15 PG	225	0,183	1
SON 525 15 PG	250	0,196	1
SON 530 15 PG	300	0,222	1
SON 540 15 PG	400	0,275	1
SON 545 15 PG	450	0,302	1
SON 550 15 PG	500	0,329	1
SON 560 15 PG	600	0,382	1

## SON H50



## APPLICATIONS

Cable routing

## MATERIAL

Steel, strip-galv. acc. to the Sendzimir method  
to TS-EN 10346:2011 (PG)

Available finishes:

HDG-steel, hot-dip galv. to TS-EN ISO 1461:2011 (HDG)

SS- stainless steel AISI 304L and AISI 316L (SS)

EP- powder coating in a full range of colours (RAL)

Thickn. (ga) [mm]:

0,6 0,8 1,0 1,2 1,5

## Integrated Perforated Cable Trays - Return Flanges

Geçmeli Tip Kablo Kanalı - Интегрированные Перфорированные лотки



Important!  
Joining cable tray sections together only use  
Screw Sets CFS M6 or CFS M8

### Pre - Galvanised

GPK ... H60		0.6mm		KG	pcs
CODE	Width a mm	Length L mm	KG 1 mt	KG	pcs
GPK 605 06 PG	50	3000	0.71	2	
GPK 607 06 PG	75	3000	0.81	2	
GPK 610 06 PG	100	3000	0.90	2	
GPK 612 06 PG	125	3000	0.99	2	
GPK 615 06 PG	150	3000	1.09	2	
GPK 620 06 PG	200	3000	1.28	2	

GPK ... H60		0.7mm		KG	pcs
CODE	Width a mm	Length L mm	KG 1 mt	KG	pcs
GPK 605 07 PG	50	3000	0.89	2	
GPK 607 07 PG	75	3000	1.01	2	
GPK 610 07 PG	100	3000	1.12	2	
GPK 612 07 PG	125	3000	1.24	2	
GPK 615 07 PG	150	3000	1.36	2	
GPK 620 07 PG	200	3000	1.59	2	

GPK ... H60		0.8mm		KG	pcs
CODE	Width a mm	Length L mm	KG 1 mt	KG	pcs
GPK 605 08 PG	50	3000	0.94	2	
GPK 607 08 PG	75	3000	1.07	2	
GPK 610 08 PG	100	3000	1.19	2	
GPK 612 08 PG	125	3000	1.32	2	
GPK 615 08 PG	150	3000	1.45	2	
GPK 620 08 PG	200	3000	1.70	2	
GPK 622 08 PG	225	3000	1.82	2	
GPK 625 08 PG	250	3000	1.95	2	
GPK 630 08 PG	300	3000	2.20	2	

GPK ... H60		1.0mm		KG	pcs
CODE	Width a mm	Length L mm	KG 1 mt	KG	pcs
GPK 605 10 PG	50	3000	1.18	2	
GPK 607 10 PG	75	3000	1.33	2	
GPK 610 10 PG	100	3000	1.49	2	
GPK 612 10 PG	125	3000	1.64	2	
GPK 615 10 PG	150	3000	1.80	2	
GPK 620 10 PG	200	3000	2.11	2	
GPK 622 10 PG	225	3000	2.27	2	
GPK 625 10 PG	250	3000	2.43	2	
GPK 630 10 PG	300	3000	2.74	2	
GPK 640 10 PG	400	3000	3.37	2	

GPK ... H60		1.2mm		KG	pcs
CODE	Width a mm	Length L mm	KG 1 mt	KG	pcs
GPK 645 12 PG	450	3000	4.42	2	
GPK 650 12 PG	500	3000	4.80	2	
GPK 660 12 PG	600	3000	5.55	2	

### MATERIAL

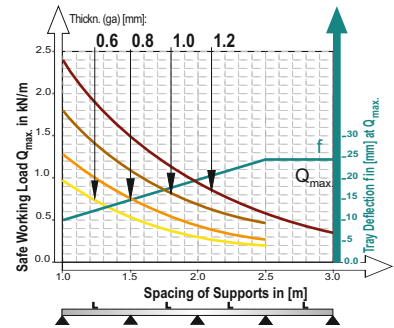
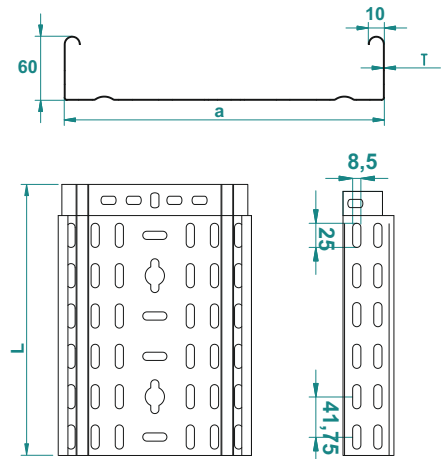
Steel, strip-galv. acc. to the Sendzimir method to TS-EN 10346:2011 (PG)

Thickn. (ga) [mm]: **0.6** 0.7 0.8 1.0 1.2

### Mounting Example



### GPK H60



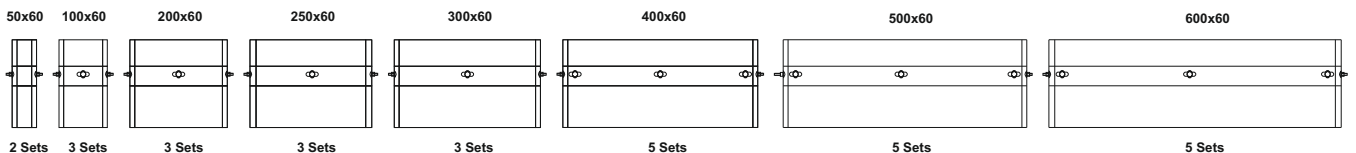
This diagram comply with IEC 61537 with connection to 1/5 of the span and the end span = 0,8x the span  
 $Q$  = max. admissible load (kg/m)  
 $L$  = support distance (m)  
 $f$  = Deflection (mm) / Max. deflection =  $L/100$   
 Safety co-efficient = 1.5

Width	Usable Cross-Section
50	29 cm <sup>2</sup>
100	58 cm <sup>2</sup>
150	88 cm <sup>2</sup>
200	118 cm <sup>2</sup>
300	178 cm <sup>2</sup>
400	238 cm <sup>2</sup>
500	298 cm <sup>2</sup>
600	358 cm <sup>2</sup>

### Recommended Quantities of Bolt and Nut For Integrated Cable Tray Connections

W	H	40	50	60	75	80	85	100
		2 Sets	2 Sets	2 Sets	-	-	-	-
100	3 Sets	3 Sets	3 Sets	5 Sets	5 Sets	5 Sets	5 Sets	
150	3 Sets	3 Sets	3 Sets	5 Sets	5 Sets	5 Sets	5 Sets	
200	3 Sets	3 Sets	3 Sets	5 Sets	5 Sets	5 Sets	5 Sets	
250	3 Sets	3 Sets	3 Sets	5 Sets	5 Sets	5 Sets	5 Sets	
300	3 Sets	3 Sets	3 Sets	5 Sets	5 Sets	5 Sets	5 Sets	
400	5 Sets	5 Sets	5 Sets	7 Sets	7 Sets	7 Sets	7 Sets	
500	5 Sets	5 Sets	5 Sets	7 Sets	7 Sets	7 Sets	7 Sets	
600	5 Sets	5 Sets	5 Sets	7 Sets	7 Sets	7 Sets	7 Sets	

### Recommended Quantities of Bolt and Nut For Integrated Cable Tray Connections



## Integrated Non Perforated Cable Trays - Return Flanges

Geçmeli Tip Deliksiz Kablo Kanalı - Интегрированные Сплошные лотки



Important!  
Joining cable tray sections together only use  
Screw Sets CFS M6 or CFS M8

### Pre - Galvanised

GDK ... H60		0.6mm		
CODE	Width a mm	Length L mm	kg 1 mt	pcs
GDK 605 06 PG	50	3000	0.89	2
GDK 607 06 PG	75	3000	1.01	2
GDK 610 06 PG	100	3000	1.13	2
GDK 612 06 PG	125	3000	1.24	2
GDK 615 06 PG	150	3000	1.36	2
GDK 620 06 PG	200	3000	1.60	2

GDK ... H60		0.7mm		
CODE	Width a mm	Length L mm	kg 1 pc	pcs
GDK 605 07 PG	50	3000	1.04	2
GDK 607 07 PG	75	3000	1.18	2
GDK 610 07 PG	100	3000	1.31	2
GDK 612 07 PG	125	3000	1.45	2
GDK 615 07 PG	150	3000	1.59	2
GDK 620 07 PG	200	3000	1.86	2

GDK ... H60		0.8mm		
CODE	Width a mm	Length L mm	kg 1 mt	pcs
GDK 605 08 PG	50	3000	1.18	2
GDK 607 08 PG	75	3000	1.34	2
GDK 610 08 PG	100	3000	1.49	2
GDK 612 08 PG	125	3000	1.65	2
GDK 615 08 PG	150	3000	1.81	2
GDK 620 08 PG	200	3000	2.12	2
GDK 622 08 PG	225	3000	2.28	2
GDK 625 08 PG	250	3000	2.44	2
GDK 630 08 PG	300	3000	2.75	2

GDK ... H60		1.0mm		
CODE	Width a mm	Length L mm	kg 1 mt	pcs
GDK 605 10 PG	50	3000	1.47	2
GDK 607 10 PG	75	3000	1.66	2
GDK 610 10 PG	100	3000	1.86	2
GDK 612 10 PG	125	3000	2.05	2
GDK 615 10 PG	150	3000	2.25	2
GDK 620 10 PG	200	3000	2.64	2
GDK 622 10 PG	225	3000	2.84	2
GDK 625 10 PG	250	3000	3.04	2
GDK 630 10 PG	300	3000	3.43	2
GDK 640 10 PG	400	3000	4.21	2

GDK ... H60		1.2mm		
CODE	Width a mm	Length L mm	kg 1 mt	pcs
GDK 645 12 PG	450	3000	5.53	2
GDK 650 12 PG	500	3000	6.00	2
GDK 660 12 PG	600	3000	6.94	2

### MATERIAL

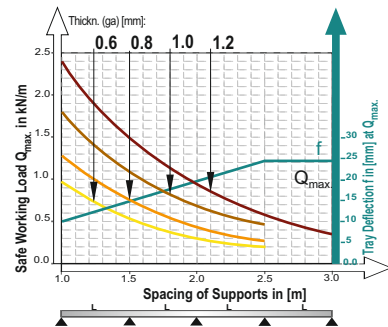
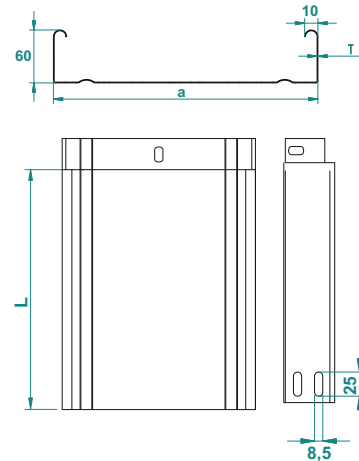
Steel, strip-galv. acc. to the Sendzimir method  
to TS-EN 10346:2011 (PG)

Thickn. (ga) [mm]: 0.6 | 0.7 | 0.8 | 1.0 | 1.2

### Mounting Example



### GPK H60



This diagram comply with IEC 61537 with connection to 1/5  
of the span and the end span = 0,8x the span

Q = max. admissible load (kg/m)

L = support distance (m)

f = Deflection (mm) / Max. deflection = L/100

Safety co-efficient = 1.5

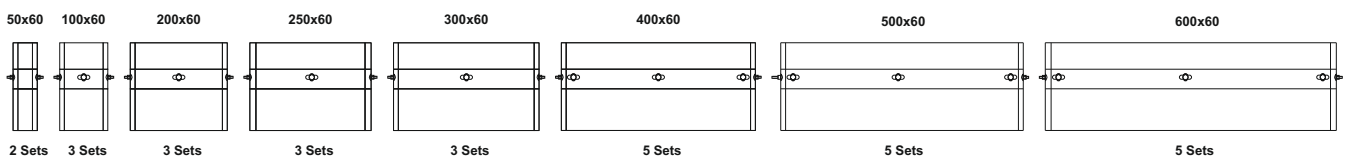


Width	Usable Cross-Section
50	29 cm <sup>2</sup>
100	58 cm <sup>2</sup>
150	88 cm <sup>2</sup>
200	118 cm <sup>2</sup>
300	178 cm <sup>2</sup>
400	238 cm <sup>2</sup>
500	298 cm <sup>2</sup>
600	358 cm <sup>2</sup>

### Recommended Quantities of Bolt and Nut For Integrated Cable Tray Connections

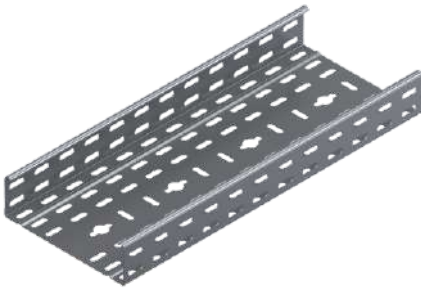
W	H	40	50	60	75	80	85	100
		2 Sets	2 Sets	2 Sets	-	-	-	-
50	100	3 Sets	3 Sets	3 Sets	5 Sets	5 Sets	5 Sets	5 Sets
	150	3 Sets	3 Sets	3 Sets	5 Sets	5 Sets	5 Sets	5 Sets
200	250	3 Sets	3 Sets	3 Sets	5 Sets	5 Sets	5 Sets	5 Sets
	300	3 Sets	3 Sets	3 Sets	5 Sets	5 Sets	5 Sets	5 Sets
400	500	5 Sets	5 Sets	5 Sets	7 Sets	7 Sets	7 Sets	7 Sets
	600	5 Sets	5 Sets	5 Sets	7 Sets	7 Sets	7 Sets	7 Sets

### Recommended Quantities of Bolt and Nut For Integrated Cable Tray Connections



## Perforated Cable Trays - Return Flanges

Ağır Hizmet Kablo Kanalı - Перфорированные лотки



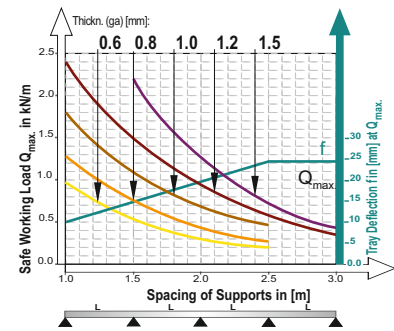
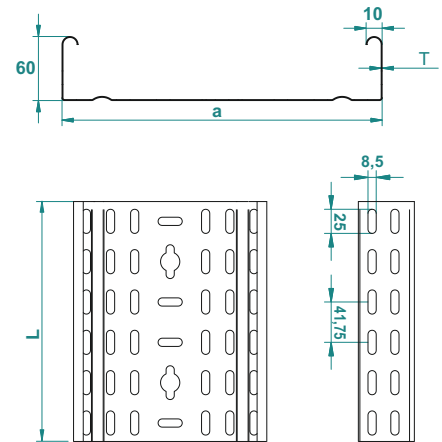
**Important!**  
Joining cable tray sections together only through the use of couplers 2 pcs for 1 Length  
To install cable tray - straight use Screw Sets CFS M6 or CFS M8

### Pre - Galvanised

APK ... H60		0.6mm			
CODE	Width a mm	Length L mm	KG 1 mt	pcs	
APK 605 06 PG	50	3000	0.71	2	
APK 607 06 PG	75	3000	0.81	2	
APK 610 06 PG	100	3000	0.90	2	
APK 612 06 PG	125	3000	0.99	2	
APK 615 06 PG	150	3000	1.09	2	
APK 620 06 PG	200	3000	1.28	2	
		0.8mm			
APK 605 08 PG	50	3000	0.94	2	
APK 607 08 PG	75	3000	1.07	2	
APK 610 08 PG	100	3000	1.19	2	
APK 612 08 PG	125	3000	1.32	2	
APK 615 08 PG	150	3000	1.45	2	
APK 620 08 PG	200	3000	1.70	2	
APK 622 08 PG	225	3000	1.82	2	
APK 625 08 PG	250	3000	1.95	2	
APK 630 08 PG	300	3000	2.20	2	
		1.0mm			
APK 605 10 PG	50	3000	1.18	2	
APK 607 10 PG	75	3000	1.33	2	
APK 610 10 PG	100	3000	1.49	2	
APK 612 10 PG	125	3000	1.64	2	
APK 615 10 PG	150	3000	1.80	2	
APK 620 10 PG	200	3000	2.11	2	
APK 622 10 PG	225	3000	2.27	2	
APK 625 10 PG	250	3000	2.43	2	
APK 630 10 PG	300	3000	2.74	2	
APK 640 10 PG	400	3000	3.37	2	

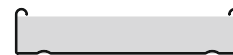
APK ... H60		1.2mm			
CODE	Width a mm	Length L mm	KG 1 mt	pcs	
APK 605 12 PG	50	3000	1.41	2	
APK 607 12 PG	75	3000	1.59	2	
APK 610 12 PG	100	3000	1.78	2	
APK 612 12 PG	125	3000	1.97	2	
APK 615 12 PG	150	3000	2.16	2	
APK 620 12 PG	200	3000	2.54	2	
APK 622 12 PG	225	3000	2.73	2	
APK 625 12 PG	250	3000	2.91	2	
APK 630 12 PG	300	3000	3.29	2	
APK 640 12 PG	400	3000	4.04	2	
APK 645 12 PG	450	3000	4.42	2	
APK 650 12 PG	500	3000	4.80	2	
APK 660 12 PG	600	3000	5.55	2	
		1.5mm			
APK 605 15 PG	50	3000	1.74	2	
APK 607 15 PG	75	3000	1.98	2	
APK 610 15 PG	100	3000	2.21	2	
APK 612 15 PG	125	3000	2.44	2	
APK 615 15 PG	150	3000	2.68	2	
APK 620 15 PG	200	3000	3.15	2	
APK 622 15 PG	225	3000	3.38	2	
APK 625 15 PG	250	3000	3.62	2	
APK 630 15 PG	300	3000	4.10	2	
APK 640 15 PG	400	3000	5.03	2	
APK 645 15 PG	450	3000	5.50	2	
APK 650 15 PG	500	3000	5.98	2	
APK 660 15 PG	600	3000	6.92	2	

### APK H60

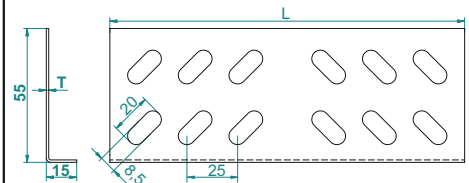


This diagram comply with IEC 61537 with connection to 1/5 of the span and the end span = 0,8x the span  
Q = max. admissible load (kg/m)  
L = support distance (m)  
f = Deflection (mm) / Max. deflection = L/100  
Safety co-efficient = 1.5

Width	Usable Cross-Section
50	29 cm <sup>2</sup>
100	58 cm <sup>2</sup>
150	88 cm <sup>2</sup>
200	118 cm <sup>2</sup>
300	178 cm <sup>2</sup>
400	238 cm <sup>2</sup>
500	298 cm <sup>2</sup>
600	358 cm <sup>2</sup>



### KBE 2



M6x15 Round head square neck bolt & M6 Flanged nut



## Straight Connector (Coupler)

Birleştirme Elemanı - Прямой соединитель



To Install one length :use 2 pieces of KBE connector 8 sets of CFS bolts and nuts. (M6 or M8)

### Pre - Galvanised

KBE 2 ... H60		1.2mm			
CODE	Length L mm	KG 1 pc	pcs		
KBE 260 12 PG	175	0.1	100		

KBE 2 ... H60		1.5mm			
CODE	Length L mm	KG 1 pc	pcs		
KBE 260 15 PG	175	0.13	100		

### Electro - Galvanized

CFS M6		M6			
CODE	Size mm	Length L mm	KG 1Set	pcs	
CFS M6 EG	M6	15	0,008	500	

CFS M8		M8			
CODE	Size mm	Length L mm	KG 1Set	pcs	
CFS M8 EG	M8	15	0,014	500	

### APPLICATIONS

Cable routing

### MATERIAL

Steel, strip-galv. acc. to the Sendzimir method to TS-EN 10346:2011 (PG)

Available finishes:

HDG-steel, hot-dip galv. to TS-EN ISO 1461:2011 (HDG)  
SS- stainless steel AISI 304L and AISI 316L (SS)  
EP- powder coating in a full range of colours (RAL)

Thickn. (ga) [mm]: **0.6 0.8 1.0 1.2 1.5**



## Non Perforated Cable Trays - Return Flanges

Ağır Hizmet Deliksiz Kablo Kanalı - Сплошные лотки



Important!  
Joining cable tray sections together only through the use of couplers 2 pcs for 1 Length  
To install cable tray - straight use Screw Sets CFS M6 or CFS M8

### Pre - Galvanised

ADK ... H60		0.6mm	
CODE	Width a mm	Length L mm	KG 1 mt
ADK 605 06 PG	50	3000	0.89
ADK 607 06 PG	75	3000	1.01
ADK 610 06 PG	100	3000	1.13
ADK 612 06 PG	125	3000	1.24
ADK 615 06 PG	150	3000	1.36
ADK 620 06 PG	200	3000	1.60
		0.8mm	
ADK 605 08 PG	50	3000	1.18
ADK 607 08 PG	75	3000	1.34
ADK 610 08 PG	100	3000	1.49
ADK 612 08 PG	125	3000	1.65
ADK 615 08 PG	150	3000	1.81
ADK 620 08 PG	200	3000	2.12
ADK 622 08 PG	225	3000	2.28
ADK 625 08 PG	250	3000	2.44
ADK 630 08 PG	300	3000	2.75
		1.0mm	
ADK 605 10 PG	50	3000	1.47
ADK 607 10 PG	75	3000	1.66
ADK 610 10 PG	100	3000	1.86
ADK 612 10 PG	125	3000	2.05
ADK 615 10 PG	150	3000	2.25
ADK 620 10 PG	200	3000	2.64
ADK 622 10 PG	225	3000	2.84
ADK 625 10 PG	250	3000	3.04
ADK 630 10 PG	300	3000	3.43
ADK 640 10 PG	400	3000	4.21

ADK ... H60		1.2mm	
CODE	Width a mm	Length L mm	KG 1 mt
ADK 605 12 PG	50	3000	1.76
ADK 607 12 PG	75	3000	1.99
ADK 610 12 PG	100	3000	2.23
ADK 612 12 PG	125	3000	2.46
ADK 615 12 PG	150	3000	2.70
ADK 620 12 PG	200	3000	3.17
ADK 622 12 PG	225	3000	3.41
ADK 625 12 PG	250	3000	3.64
ADK 630 12 PG	300	3000	4.11
ADK 640 12 PG	400	3000	5.05
ADK 645 12 PG	450	3000	5.53
ADK 650 12 PG	500	3000	6.00
ADK 660 12 PG	600	3000	6.94
		1.5mm	
ADK 605 15 PG	50	3000	2.17
ADK 607 15 PG	75	3000	2.47
ADK 610 15 PG	100	3000	2.76
ADK 612 15 PG	125	3000	3.05
ADK 615 15 PG	150	3000	3.35
ADK 620 15 PG	200	3000	3.94
ADK 622 15 PG	225	3000	4.23
ADK 625 15 PG	250	3000	4.53
ADK 630 15 PG	300	3000	5.12
ADK 640 15 PG	400	3000	6.29
ADK 645 15 PG	450	3000	6.88
ADK 650 15 PG	500	3000	7.47
ADK 660 15 PG	600	3000	8.65

## Seperator

Seperator - Перегородка



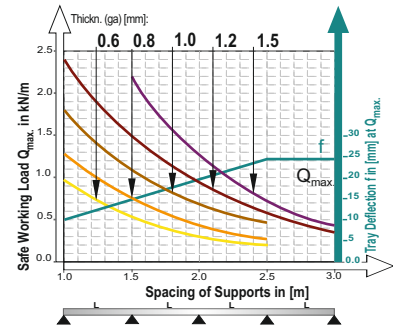
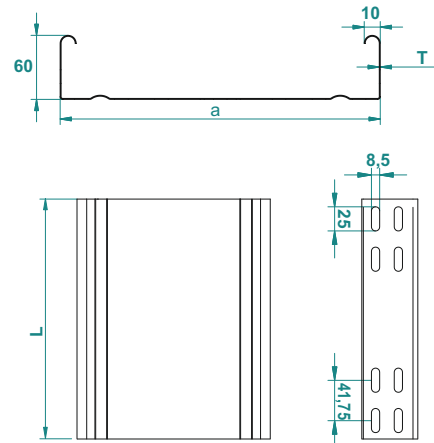
To Install Seperator use CFS bolts and nuts. (M6 or M8)

### Pre - Galvanised

SEP 1 ... H60		1.0mm	
CODE	Length L mm	KG 1m	pcs
SEP 160 10 PG	3000	0.57	1

SEP 1 ... H60		1.5mm	
CODE	Length L mm	KG 1m	pcs
SEP 160 15 PG	3000	0.86	1

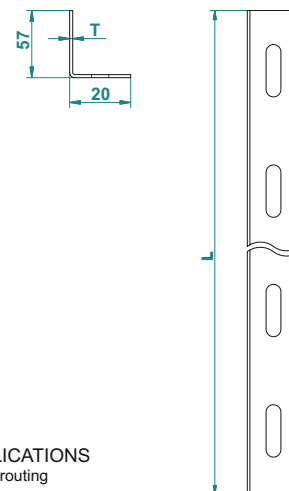
## ADK H60



This diagram comply with IEC 61537 with connection to 1/5 of the span and the end span = 0,8x the span  
Q = max. admissible load (kg/m)  
L = support distance (m)  
f = Deflection (mm) / Max. deflection = L/100  
Safety co-efficient = 1.5

Width	Usable Cross-Section
50	29 cm <sup>2</sup>
100	58 cm <sup>2</sup>
150	88 cm <sup>2</sup>
200	118 cm <sup>2</sup>
300	178 cm <sup>2</sup>
400	238 cm <sup>2</sup>
500	298 cm <sup>2</sup>
600	358 cm <sup>2</sup>

## SEP 1 H60



APPLICATIONS  
Cable routing

MATERIAL  
Steel, strip-galv. acc. to the Sendzimir method to TS-EN 10346:2011 (PG)

Available finishes:  
HDG-steel, hot-dip galv. to TS-EN ISO 1461:2011 (HDG)  
SS- stainless steel AISI 304L and AISI 316L (SS)  
EP- powder coating in a full range of colours (RAL)

Thickn. (ga) [mm]: **0.6 | 0.8 | 1.0 | 1.2 | 1.5**

## 90° Horizontal Bend of Cable Tray

90° Yatay Kanal Dönüş Elemanı - Угол горизонтальный 90°



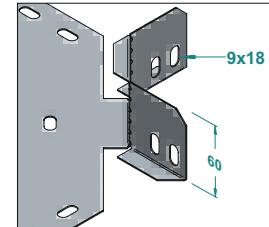
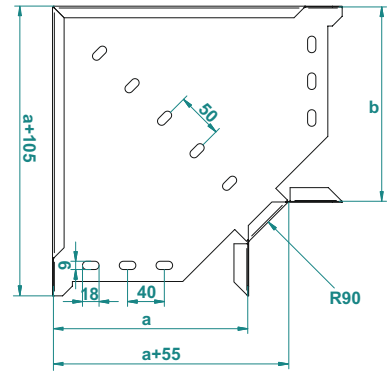
Pre - Galvanised

Important!  
To install cable tray - bend use Screw Sets CFS M6 or CFS M8

KA90 ... H60		1.0mm	
CODE	Width a=b mm	kg 1 pc	pcs
KA90 605 10 PG	50	0.28	1
KA90 607 10 PG	75	0.34	1
KA90 610 10 PG	100	0.51	1
KA90 612 10 PG	125	0.60	1
KA90 615 10 PG	150	0.70	1
KA90 620 10 PG	200	0.93	1
KA90 622 10 PG	225	1.06	1
KA90 625 10 PG	250	1.19	1
		1.2mm	
KA90 630 12 PG	300	1.89	1
KA90 640 12 PG	400	2.71	1
KA90 645 12 PG	450	3.18	1
KA90 650 12 PG	500	3.70	1
KA90 660 12 PG	600	4.82	1

KA90 ... H60		1.5mm	
CODE	Width a=b mm	kg 1 pc	pcs
KA90 605 15 PG	50	0.42	1
KA90 607 15 PG	75	0.52	1
KA90 610 15 PG	100	0.77	1
KA90 612 15 PG	125	0.90	1
KA90 615 15 PG	150	1.06	1
KA90 620 15 PG	200	1.40	1
KA90 622 15 PG	225	1.58	1
KA90 625 15 PG	250	1.78	1
KA90 630 15 PG	300	2.35	1
KA90 640 15 PG	400	3.39	1
KA90 645 15 PG	450	3.98	1
KA90 650 15 PG	500	4.62	1
KA90 660 15 PG	600	6.03	1

### KA90 H60



## 45° Horizontal Bend of Cable Tray

45° Yatay Kanal Dönüş Elemanı - Угол горизонтальный 45°



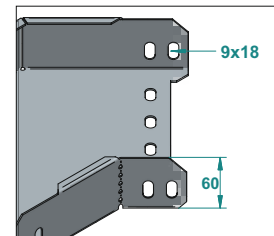
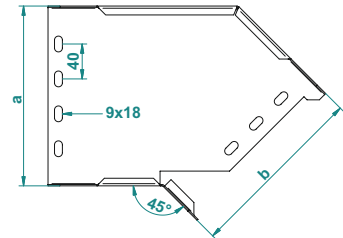
Pre - Galvanised

Important!  
To install cable tray - bend use Screw Sets CFS M6 or CFS M8

KA45 ... H60		1.0mm	
CODE	Width a=b mm	kg 1 pc	pcs
KA45 605 10 PG	50	0.30	1
KA45 607 10 PG	75	0.37	1
KA45 610 10 PG	100	0.45	1
KA45 612 10 PG	125	0.58	1
KA45 615 10 PG	150	0.67	1
KA45 620 10 PG	200	0.90	1
KA45 622 10 PG	225	1.02	1
KA45 625 10 PG	250	1.15	1
		1.2mm	
KA45 630 12 PG	300	1.73	1
KA45 640 12 PG	400	2.52	1
KA45 645 12 PG	450	2.98	1
KA45 650 12 PG	500	3.47	1
KA45 660 12 PG	600	4.58	1

KA45 ... H60		1.5mm	
CODE	Width a=b mm	kg 1 pc	pcs
KA45 605 15 PG	50	0.44	1
KA45 607 15 PG	75	0.54	1
KA45 610 15 PG	100	0.66	1
KA45 612 15 PG	125	0.86	1
KA45 615 15 PG	150	1.01	1
KA45 620 15 PG	200	1.34	1
KA45 622 15 PG	225	1.53	1
KA45 625 15 PG	250	1.73	1
KA45 630 15 PG	300	2.15	1
KA45 640 15 PG	400	3.15	1
KA45 645 15 PG	450	3.72	1
KA45 650 15 PG	500	4.34	1
KA45 660 15 PG	600	5.72	1

### KA45 H60



### APPLICATIONS

Cable routing

### MATERIAL

Steel, strip-galv. acc. to the Sendzimir method to TS-EN 10346:2011 (PG)

Available finishes:

HDG-steel, hot-dip galv. to TS-EN ISO 1461:2011 (HDG)  
SS- stainless steel AISI 304L and AISI 316L (SS)  
EP- powder coating in a full range of colours (RAL)

Thickn. (ga) [mm]:

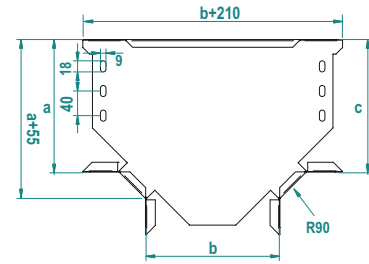
**0.6 | 0.8 | 1.0 | 1.2 | 1.5**

## Tee Horizontal Bend of Cable Tray

"T" Yatay Kanal Dönüş Elemanı - T-отвод горизонтальный



KAT H60

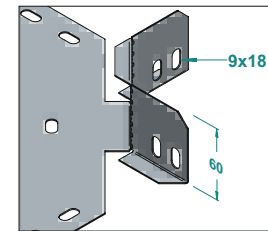


Pre - Galvanised

Important!  
To install cable tray - bend use Screw Sets CFS M6 or CFS M8

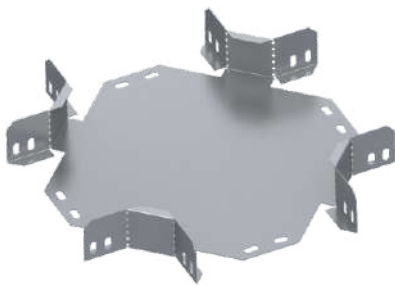
KAT ... H60		1.0mm	
CODE	Width a=b=c mm	kg 1 pc	pcs
KAT 605 10 PG	50	0.36	1
KAT 607 10 PG	75	0.44	1
KAT 610 10 PG	100	0.66	1
KAT 612 10 PG	125	0.76	1
KAT 615 10 PG	150	0.87	1
KAT 620 10 PG	200	1.13	1
KAT 622 10 PG	225	1.26	1
KAT 625 10 PG	250	1.41	1
		1.2mm	
KAT 630 12 PG	300	2.28	1
KAT 640 12 PG	400	3.18	1
KAT 645 12 PG	450	3.70	1
KAT 650 12 PG	500	4.25	1
KAT 660 12 PG	600	5.46	1

KAT ... H60		1.5mm	
CODE	Width a=b=c mm	kg 1 pc	pcs
KAT 605 15 PG	50	0.54	1
KAT 607 15 PG	75	0.66	1
KAT 610 15 PG	100	0.98	1
KAT 612 15 PG	125	1.14	1
KAT 615 15 PG	150	1.31	1
KAT 620 15 PG	200	1.69	1
KAT 622 15 PG	225	1.90	1
KAT 625 15 PG	250	2.11	1
KAT 630 15 PG	300	2.85	1
KAT 640 15 PG	400	3.98	1
KAT 645 15 PG	450	4.62	1
KAT 650 15 PG	500	5.31	1
KAT 660 15 PG	600	6.82	1

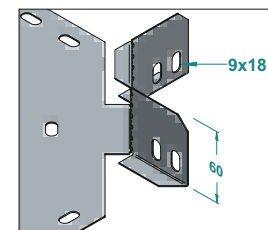
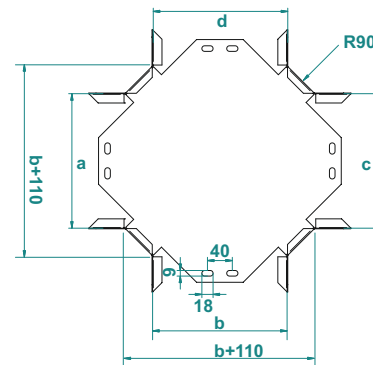


## Cross Bend of Cable Tray

4'lü Bağlantı Elemanı- Крестовина



KAD H60



Pre - Galvanised

Important!  
To install cable tray - bend use Screw Sets CFS M6 or CFS M8

KAD ... H60		1.0mm	
CODE	Width a=b=c=d mm	kg 1 pc	pcs
KAD 605 10 PG	50	0.47	1
KAD 607 10 PG	75	0.57	1
KAD 610 10 PG	100	0.84	1
KAD 612 10 PG	125	0.95	1
KAD 615 10 PG	150	1.08	1
KAD 620 10 PG	200	1.36	1
KAD 622 10 PG	225	1.50	1
KAD 625 10 PG	250	1.66	1
		1.2mm	
KAD 630 12 PG	300	2.76	1
KAD 640 12 PG	400	3.74	1
KAD 645 12 PG	450	4.30	1
KAD 650 12 PG	500	4.88	1
KAD 660 12 PG	600	6.18	1

KAD ... H60		1.5mm	
CODE	Width a=b=c=d mm	kg 1 pc	pcs
KAD 605 15 PG	50	0.71	1
KAD 607 15 PG	75	0.85	1
KAD 610 15 PG	100	1.26	1
KAD 612 15 PG	125	1.43	1
KAD 615 15 PG	150	1.62	1
KAD 620 15 PG	200	2.04	1
KAD 622 15 PG	225	2.26	1
KAD 625 15 PG	250	2.50	1
KAD 630 15 PG	300	3.45	1
KAD 640 15 PG	400	4.68	1
KAD 645 15 PG	450	5.37	1
KAD 650 15 PG	500	6.10	1
KAD 660 15 PG	600	7.71	1

### APPLICATIONS

Cable routing

### MATERIAL

Steel, strip-galv. acc. to the Sendzimir method to TS-EN 10346:2011 (PG)

Available finishes:

HDG-steel, hot-dip galv. to TS-EN ISO 1461:2011 (HDG)  
SS- stainless steel AISI 304L and AISI 316L (SS)  
EP- powder coating in a full range of colours (RAL)

Thickn. (ga) [mm]:

**0.6 | 0.8 | 1.0 | 1.2 | 1.5**

## Vertical Outside Bend of Cable Tray (Flexible)

Kanal Dış Bükme - Арка универсальная, внешний изгиб



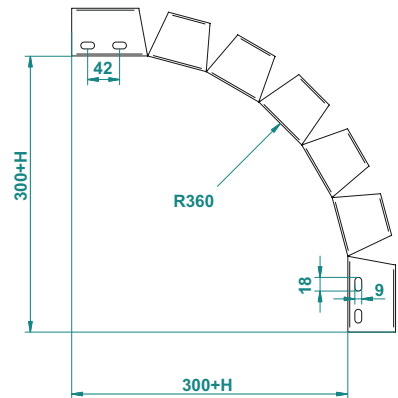
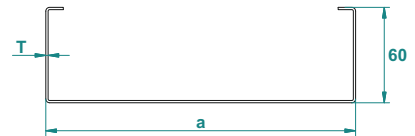
Pre - Galvanised

Important!  
To install vertical bend - use 2 pieces of KBE connectors and 4 sets of CFS bolts and nuts ( M6 or M8).

KADB ... H60		1.0mm		kg	pcs
CODE	Width a mm	Length L mm	kg	1 pc	pcs
KADB 605 10 PG	50	600	0.74	1	
KADB 607 10 PG	75	600	0.83	1	
KADB 610 10 PG	100	600	0.93	1	
KADB 612 10 PG	125	600	1.03	1	
KADB 615 10 PG	150	600	1.13	1	
KADB 620 10 PG	200	600	1.32	1	
KADB 622 10 PG	225	600	1.42	1	
KADB 625 10 PG	250	600	1.52	1	
		1.2mm		kg	pcs
KADB 630 12 PG	300	600	2.06	1	
KADB 640 12 PG	400	600	3.03	1	
KADB 645 12 PG	450	600	3.32	1	
KADB 650 12 PG	500	600	3.60	1	
KADB 660 12 PG	600	600	4.16	1	

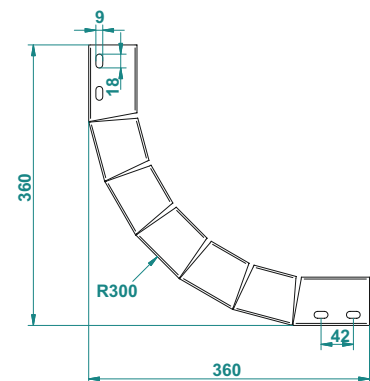
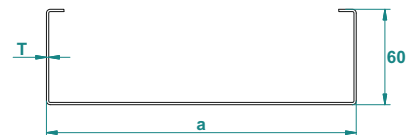
KADB ... H60		1.5mm		kg	pcs
CODE	Width a mm	Length L mm	kg	1 pc	pcs
KADB 605 15 PG	50	600	1.09	1	
KADB 607 15 PG	75	600	1.23	1	
KADB 610 15 PG	100	600	1.38	1	
KADB 612 15 PG	125	600	1.53	1	
KADB 615 15 PG	150	600	1.68	1	
KADB 620 15 PG	200	600	1.97	1	
KADB 622 15 PG	225	600	2.12	1	
KADB 625 15 PG	250	600	2.26	1	
KADB 630 15 PG	300	600	2.56	1	
KADB 640 15 PG	400	600	3.78	1	
KADB 645 15 PG	450	600	4.13	1	
KADB 650 15 PG	500	600	4.48	1	
KADB 660 15 PG	600	600	5.19	1	

### KADB H60



KADB and KAIB are the same items, shipped flat.  
To install - Bend manually during application.  
in Flat Length = 600mm

### KAIB H60



KADB and KAIB are the same items, shipped flat.  
To install - Bend manually during application.  
in Flat Length = 600mm

### APPLICATIONS

Cable routing

### MATERIAL

Steel, strip-galv. acc. to the Sendzimir method to TS-EN 10346:2011 (PG)

Available finishes:

HDG-steel, hot-dip galv. to TS-EN ISO 1461:2011 (HDG)  
SS- stainless steel AISI 304L and AISI 316L (SS)  
EP- powder coating in a full range of colours (RAL)

Thickn. (ga) [mm]: **0.6 | 0.8 | 1.0 | 1.2 | 1.5**

## Vertical Inside Bend of Cable Tray (Flexible)

Kanal İç Bükme- Арка универсальная, внутренний изгиб



Pre - Galvanised

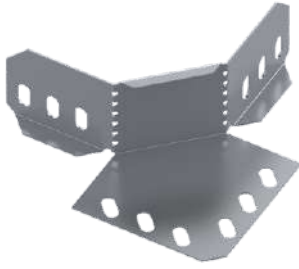
Important!  
To install vertical bend - use 2 pieces of KBE connectors and 4 sets of CFS bolts and nuts ( M6 or M8).

KAIB ... H60		1.0mm		kg	pcs
CODE	Width a mm	Length L mm	kg	1 pc	pcs
KAIB 605 10 PG	50	600	0.74	1	
KAIB 607 10 PG	75	600	0.83	1	
KAIB 610 10 PG	100	600	0.93	1	
KAIB 612 10 PG	125	600	1.03	1	
KAIB 615 10 PG	150	600	1.13	1	
KAIB 620 10 PG	200	600	1.32	1	
KAIB 622 10 PG	225	600	1.42	1	
KAIB 625 10 PG	250	600	1.52	1	
		1.2mm		kg	pcs
KAIB 630 12 PG	300	600	2.06	1	
KAIB 640 12 PG	400	600	3.03	1	
KAIB 645 12 PG	450	600	3.32	1	
KAIB 650 12 PG	500	600	3.60	1	
KAIB 660 12 PG	600	600	4.16	1	

KAIB ... H60		1.5mm		kg	pcs
CODE	Width a mm	Length L mm	kg	1 pc	pcs
KAIB 605 15 PG	50	600	1.09	1	
KAIB 607 15 PG	75	600	1.23	1	
KAIB 610 15 PG	100	600	1.38	1	
KAIB 612 15 PG	125	600	1.53	1	
KAIB 615 15 PG	150	600	1.68	1	
KAIB 620 15 PG	200	600	1.97	1	
KAIB 622 15 PG	225	600	2.12	1	
KAIB 625 15 PG	250	600	2.26	1	
KAIB 630 15 PG	300	600	2.56	1	
KAIB 640 15 PG	400	600	3.78	1	
KAIB 645 15 PG	450	600	4.13	1	
KAIB 650 15 PG	500	600	4.48	1	
KAIB 660 15 PG	600	600	5.19	1	

## Add On 90° Horizontal Corner Bend of Cable Tray

90° Köşe Yatay Kanal Dönüş Eki - Угол 90° врезной



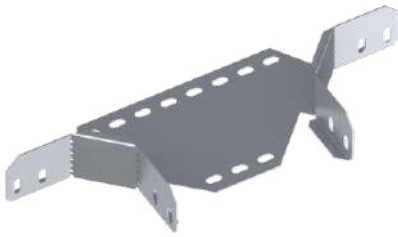
Pre - Galvanised

Important!  
To install cable tray - bend use Screw Sets CFS M6 or CFS M8

KA90E ... H60					KA90E ... H60				
1.0mm					1.5mm				
CODE	a mm	Radius R mm	KG 1 pc	pcs	CODE	a mm	Radius R mm	KG 1 pc	pcs
KA90E 6 10 PG	55	90	0.17	1	KA90E 6 15 PG	55	90	0.26	1
KA90ER1 6 10 PG	90	150	0.26	1	KA90ER1 6 15 PG	90	150	0.39	1
KA90ER2 6 10 PG	180	300	0.54	1	KA90ER2 6 15 PG	180	300	0.80	1

## Add on tee horizontal bend

"T" yatay kanal dönüő eki - T-отвод горизонтальный врезной



Pre - Galvanised

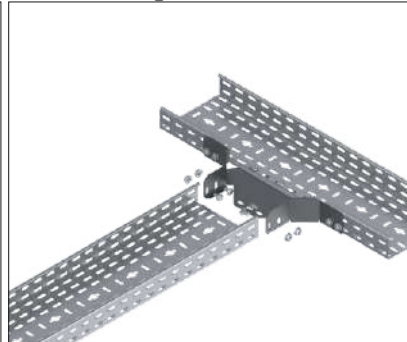
Important!  
To install cable tray - bend use Screw Sets CFS M6 or CFS M8

KATE ... H60					KATER1 ... H60				
1.0mm					1.5mm				
CODE	Width a mm	Radius R mm	KG 1 pc	pcs	CODE	Width a mm	Radius R mm	KG 1 pc	pcs
KATE 610 10 PG	100	90	0.39	1	KATER1 610 15 PG	100	150	1.12	1
KATE 612 10 PG	125	90	0.42	1	KATER1 612 15 PG	125	150	1.18	1
KATE 615 10 PG	150	90	0.45	1	KATER1 615 15 PG	150	150	1.25	1
KATE 620 10 PG	200	90	0.50	1	KATER1 620 15 PG	200	150	1.38	1
KATE 622 10 PG	225	90	0.53	1	KATER1 622 15 PG	225	150	1.44	1
KATE 625 10 PG	250	90	0.55	1	KATER1 625 15 PG	250	150	1.50	1
1.2mm									
CODE	Width a mm	Radius R mm	KG 1 pc	pcs	CODE	Width a mm	Radius R mm	KG 1 pc	pcs
KATE 630 12 PG	300	90	0.73	1	KATER1 630 15 PG	300	150	1.62	1
KATE 640 12 PG	400	90	0.86	1	KATER1 640 15 PG	400	150	1.88	1
KATE 645 12 PG	450	90	0.92	1	KATER1 645 15 PG	450	150	2.01	1
KATE 650 12 PG	500	90	0.98	1	KATER1 650 15 PG	500	150	2.14	1
KATE 660 12 PG	600	90	1.11	1	KATER1 660 15 PG	600	150	2.39	1

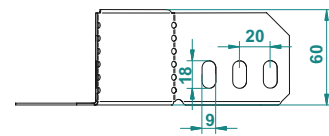
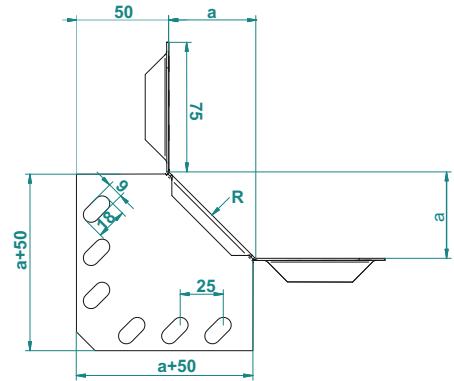
### KA90E Mounting



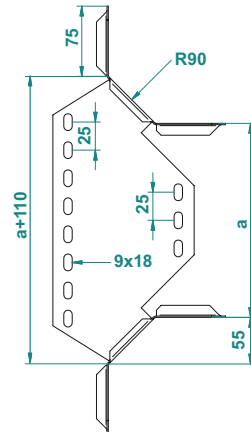
### KATE Mounting



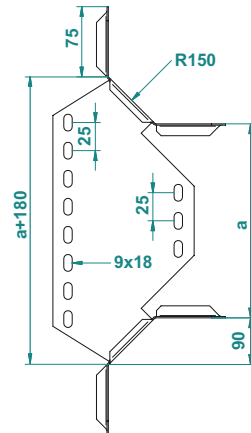
### KA90E H60



### KATE H60



### KATER1 H60



### APPLICATIONS

Cable routing

### MATERIAL

Steel, strip-galv. acc. to the Sendzimir method to TS-EN 10346:2011 (PG)

Available finishes:

HDG-steel, hot-dip galv. to TS-EN ISO 1461:2011 (HDG)  
SS- stainless steel AISI 304L and AISI 316L (SS)  
EP- powder coating in a full range of colours (RAL)

Thickn. (ga) [mm]:

0.6 0.8 1.0 1.2 1.5

## Adjustable Vertical Connector (2 Pcs)

*Dikey Seviye Degistirme Eki (2 Adet) - Шарнирный соединитель для лотка*



Pre - Galvanised

To Install one lenght; use 2 pieces of BDD connector and 10 sets of CFS bolts and nuts. (M6 or M8)

BDD 2 ... H60				BDD 2 ... H60			
1.2mm				1.5mm			
CODE	Length L mm	KG 1 pc	pcs	CODE	Length L mm	KG 1 pc	pcs
BDD 260 12 PG	250	0.18	1	BDD 260 15 PG	250	0.23	1

## Adjustable Horizontal Connector

*Yatay Seviye Degistirme Eki - Угловой соединитель*



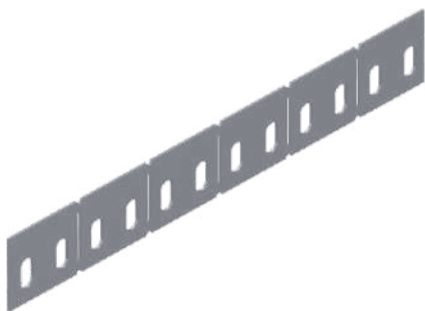
Pre - Galvanised

To Install one lenght; use 2 pieces of BYD connector and 8 sets of CFS bolts and nuts. (M6 or M8)

BYD 2 ... H60				BYD 2 ... H60			
1.2mm				1.5mm			
CODE	Length L mm	KG 1 pc	pcs	CODE	Length L mm	KG 1 pc	pcs
BYD 260 12 PG	175	0,1	1	BYD 260 15 PG	175	0.13	1

## Adjustable horizontal connector - Long Type

*Yatay seviye degistirme eki uzun tip - Угловой соединитель - длинный*

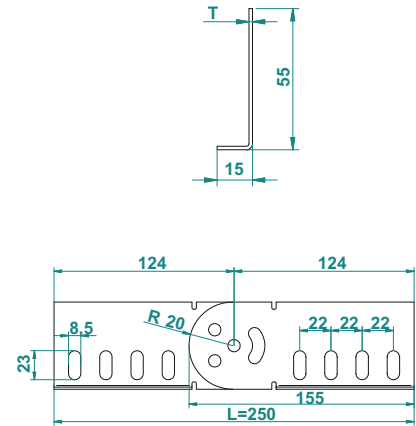


Pre - Galvanised

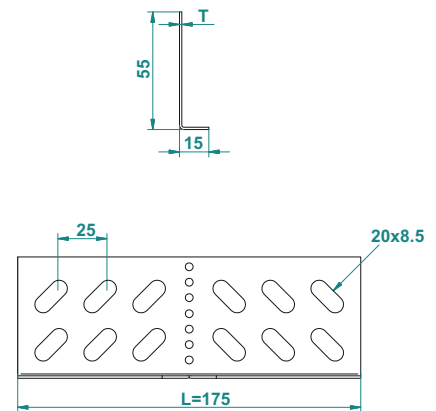
Important!  
To install cable tray - connector use Screw Sets CFS M6 or CFS M8

BYDU 1 ... H60				BYDU 1 ... H60			
1.2mm				1.5mm			
CODE	Length L mm	KG 1 pc	pcs	CODE	Length L mm	KG 1 pc	pcs
BYDU 160 12 PG	1000	0.3	1	BYDU 160 15 PG	1000	0.38	1

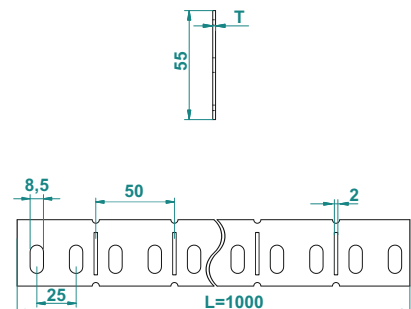
### BDD 2 H60



### BYD 2 H60



### BYDU 1 H60



### APPLICATIONS

Cable routing

### MATERIAL

Steel, strip-galv. acc. to the Sendzimir method to TS-EN 10346:2011 (PG)

Available finishes:

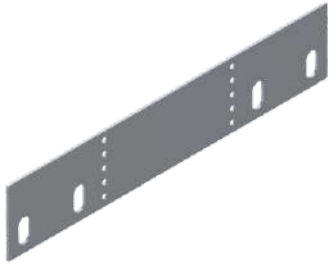
HDG-steel, hot-dip galv. to TS-EN ISO 1461:2011 (HDG)  
SS- stainless steel AISI 304L and AISI 316L (SS)  
EP- powder coating in a full range of colours (RAL)

Thickn. (ga) [mm]:

0.6 0.8 1.0 1.2 1.5

## Reducer Connector - Single Type

Redüksiyon Eki (Tek) - Редукционный переходник



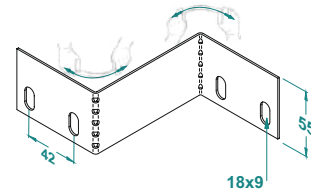
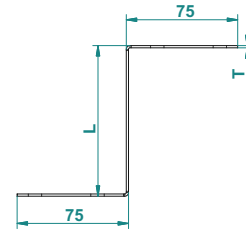
**Important!**  
To install cable tray - reducer use Screw Sets CFS M6 or CFS M8

Pre - Galvanised

RT ... H60		1.5mm	
CODE	Length L mm	KG 1 pc	pcs
RT 60 25 15 PG	25	0.112	1
RT 60 50 15 PG	50	0.127	1
RT 60 75 15 PG	75	0.143	1
RT 60 100 15 PG	100	0.159	1
RT 60 125 15 PG	125	0.175	1
RT 60 150 15 PG	150	0.191	1
RT 60 175 15 PG	175	0.207	1
RT 60 200 15 PG	200	0.222	1
RT 60 225 15 PG	225	0.239	1
RT 60 250 15 PG	250	0.255	1
RT 60 275 15 PG	275	0.270	1
RT 60 300 15 PG	300	0.300	1

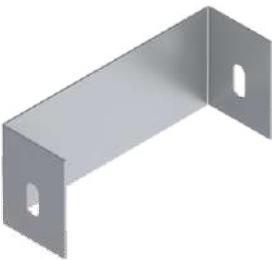
RT ... H60		1.5mm	
CODE	Length L mm	KG 1 pc	pcs
RT 60 325 15 PG	325	0.302	1
RT 60 350 15 PG	350	0.318	1
RT 60 375 15 PG	375	0.334	1
RT 60 400 15 PG	400	0.350	1
RT 60 425 15 PG	425	0.365	1
RT 60 450 15 PG	450	0.382	1
RT 60 475 15 PG	475	0.398	1
RT 60 500 15 PG	500	0.413	1
RT 60 525 15 PG	525	0.429	1
RT 60 550 15 PG	550	0.446	1
RT 60 575 15 PG	575	0.461	1

## RT H60



## Stop End (Blind End)

Sonlandırma - Заглушка



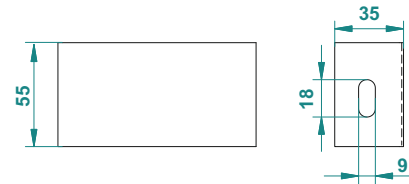
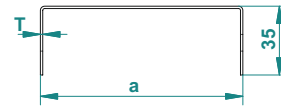
**Important!**  
To install cable tray - stop end use Screw Sets CFS M6 or CFS M8

Pre - Galvanised

SON ... H60		1.2mm	
CODE	Width a mm	KG 1 pc	pcs
SON 605 12 PG	50	0.086	1
SON 607 12 PG	75	0.099	1
SON 610 12 PG	100	0.112	1
SON 612 12 PG	125	0.124	1
SON 615 12 PG	150	0.134	1
SON 620 12 PG	200	0.163	1
SON 622 12 PG	225	0.176	1
SON 625 12 PG	250	0.188	1
SON 630 12 PG	300	0.213	1
SON 640 12 PG	400	0.265	1
SON 645 12 PG	450	0.290	1
SON 650 12 PG	500	0.315	1
SON 660 12 PG	600	0.366	1

SON ... H60		1.5mm	
CODE	Width a mm	KG 1 pc	pcs
SON 605 15 PG	50	0.108	1
SON 607 15 PG	75	0.124	1
SON 610 15 PG	100	0.140	1
SON 612 15 PG	125	0.156	1
SON 615 15 PG	150	0.172	1
SON 620 15 PG	200	0.203	1
SON 622 15 PG	225	0.220	1
SON 625 15 PG	250	0.235	1
SON 630 15 PG	300	0.267	1
SON 640 15 PG	400	0.330	1
SON 645 15 PG	450	0.363	1
SON 650 15 PG	500	0.394	1
SON 660 15 PG	600	0.458	1

## SON H60



### APPLICATIONS

Cable routing

### MATERIAL

Steel, strip-galv. acc. to the Sendzimir method to TS-EN 10346:2011 (PG)

Available finishes:

HDG-steel, hot-dip galv. to TS-EN ISO 1461:2011 (HDG)

SS- stainless steel AISI 304L and AISI 316L (SS)

EP- powder coating in a full range of colours (RAL)

Thickn. (ga) [mm]: **0.6 | 0.8 | 1.0 | 1.2 | 1.5**

## Integrated Perforated Cable Trays - Return Flanges

Geçmeli Tip Kablo Kanalı - Интегрированные Перфорированные лотки



Important!  
Joining cable tray sections together only use  
Screw Sets CFS M6 or CFS M8

### Pre - Galvanised

GPK ... H80		0.6mm		KG	pcs
CODE	Width a mm	Length L mm	1 mt		
GPK 807 06 PG	75	3000	0.96	2	
GPK 810 06 PG	100	3000	1.05	2	
GPK 812 06 PG	125	3000	1.14	2	
GPK 815 06 PG	150	3000	1.24	2	
GPK 820 06 PG	200	3000	1.43	2	

GPK ... H80		0.7mm		KG	pcs
CODE	Width a mm	Length L mm	1 mt		
GPK 807 07 PG	75	3000	1.12	2	
GPK 810 07 PG	100	3000	1.22	2	
GPK 812 07 PG	125	3000	1.34	2	
GPK 815 07 PG	150	3000	1.45	2	
GPK 820 07 PG	200	3000	1.66	2	

GPK ... H80		0.8mm		KG	pcs	
CODE	Width a mm	Length L mm	1 mt			
GPK 807 08 PG	75	3000	1.27	2		
GPK 810 08 PG	100	3000	1.39	2		
GPK 812 08 PG	125	3000	1.52	2		
GPK 815 08 PG	150	3000	1.65	2		
GPK 820 08 PG	200	3000	1.90	2		
GPK 822 08 PG	225	3000	2.02	2		
GPK 825 08 PG	250	3000	2.15	2		
GPK 830 08 PG	300	3000	2.40	2		

GPK ... H80		1.0mm		KG	pcs
CODE	Width a mm	Length L mm	1 mt		
GPK 807 10 PG	75	3000	1.58	2	
GPK 810 10 PG	100	3000	1.74	2	
GPK 812 10 PG	125	3000	1.90	2	
GPK 815 10 PG	150	3000	2.05	2	
GPK 820 10 PG	200	3000	2.37	2	
GPK 822 10 PG	225	3000	2.52	2	
GPK 825 10 PG	250	3000	2.68	2	
GPK 830 10 PG	300	3000	2.99	2	
GPK 840 10 PG	400	3000	3.62	2	

GPK ... H80		1.2mm		KG	pcs
CODE	Width a mm	Length L mm	1 mt		
GPK 807 12 PG	75	3000	1.90	2	
GPK 810 12 PG	100	3000	2.08	2	
GPK 812 12 PG	125	3000	2.27	2	
GPK 815 12 PG	150	3000	2.46	2	
GPK 820 12 PG	200	3000	2.84	2	
GPK 822 12 PG	225	3000	3.02	2	
GPK 825 12 PG	250	3000	3.22	2	
GPK 830 12 PG	300	3000	3.59	2	
GPK 840 12 PG	400	3000	4.34	2	
GPK 845 12 PG	450	3000	4.72	2	
GPK 850 12 PG	500	3000	5.10	2	
GPK 860 12 PG	600	3000	5.85	2	

### GPK H80

This diagram comply with IEC 61537 with connection to 1/5 of the span and the end span = 0,8x the span  
 Q = max. admissible load (kg/m)  
 L = support distance (m)  
 f = Deflection (mm) / Max. deflection = L/100  
 Safety co-efficient = 1.5

Width	Usable Cross-Section
50	38 cm <sup>2</sup>
100	78 cm <sup>2</sup>
150	118 cm <sup>2</sup>
200	158 cm <sup>2</sup>
300	238 cm <sup>2</sup>
400	318 cm <sup>2</sup>
500	398 cm <sup>2</sup>
600	478 cm <sup>2</sup>

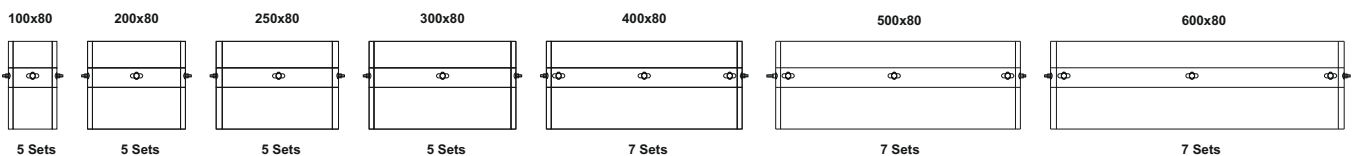
### Mounting Example



#### Recommended Quantities of Bolt and Nut For Integrated Cable Tray Connections

W	H	40	50	60	75	80	85	100
50	2 Sets	2 Sets	2 Sets	-	-	-	-	-
100	3 Sets	3 Sets	3 Sets	5 Sets	5 Sets	5 Sets	5 Sets	5 Sets
150	3 Sets	3 Sets	3 Sets	5 Sets	5 Sets	5 Sets	5 Sets	5 Sets
200	3 Sets	3 Sets	3 Sets	5 Sets	5 Sets	5 Sets	5 Sets	5 Sets
250	3 Sets	3 Sets	3 Sets	5 Sets	5 Sets	5 Sets	5 Sets	5 Sets
300	3 Sets	3 Sets	3 Sets	5 Sets	5 Sets	5 Sets	5 Sets	5 Sets
400	5 Sets	5 Sets	5 Sets	7 Sets	7 Sets	7 Sets	7 Sets	7 Sets
500	5 Sets	5 Sets	5 Sets	7 Sets	7 Sets	7 Sets	7 Sets	7 Sets
600	5 Sets	5 Sets	5 Sets	7 Sets	7 Sets	7 Sets	7 Sets	7 Sets

#### Recommended Quantities of Bolt and Nut For Integrated Cable Tray Connections





## Integrated Perforated Cable Trays - Return Flanges

Geçmeli Tip Kablo Kanalı - Интегрированные Перфорированные лотки



Important!  
Joining cable tray sections together only use  
Screw Sets CFS M6 or CFS M8

### Pre - Galvanised

GDK ... H80		0.6mm	
CODE	Width a mm	Length L mm	KG 1 mt
GDK 807 06 PG	75	3000	0.96
GDK 810 06 PG	100	3000	1.05
GDK 812 06 PG	125	3000	1.14
GDK 815 06 PG	150	3000	1.24
GDK 820 06 PG	200	3000	1.43

GDK ... H80		0.7mm	
CODE	Width a mm	Length L mm	KG 1 mt
GDK 807 07 PG	75	3000	1.12
GDK 810 07 PG	100	3000	1.22
GDK 812 07 PG	125	3000	1.34
GDK 815 07 PG	150	3000	1.45
GDK 820 07 PG	200	3000	1.66

GDK ... H80		0.8mm	
CODE	Width a mm	Length L mm	KG 1 mt
GDK 807 08 PG	75	3000	1.27
GDK 810 08 PG	100	3000	1.39
GDK 812 08 PG	125	3000	1.52
GDK 815 08 PG	150	3000	1.65
GDK 820 08 PG	200	3000	1.90
GDK 822 08 PG	225	3000	2.02
GDK 825 08 PG	250	3000	2.15
GDK 830 08 PG	300	3000	2.40

GDK ... H80		1.0mm	
CODE	Width a mm	Length L mm	KG 1 mt
GDK 807 10 PG	75	3000	1.58
GDK 810 10 PG	100	3000	1.74
GDK 812 10 PG	125	3000	1.90
GDK 815 10 PG	150	3000	2.05
GDK 820 10 PG	200	3000	2.37
GDK 822 10 PG	225	3000	2.52
GDK 825 10 PG	250	3000	2.68
GDK 830 10 PG	300	3000	2.99
GDK 840 10 PG	400	3000	3.62

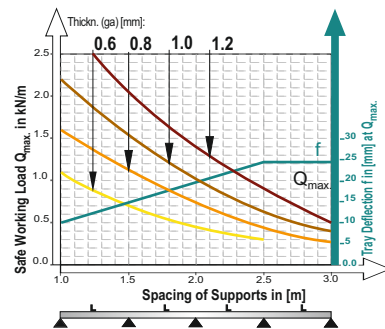
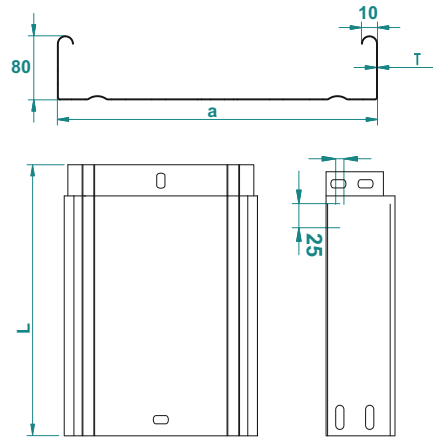
  

GDK ... H80		1.2mm	
CODE	Width a mm	Length L mm	KG 1 mt
GDK 807 12 PG	75	3000	1.90
GDK 810 12 PG	100	3000	2.08
GDK 812 12 PG	125	3000	2.27
GDK 815 12 PG	150	3000	2.46
GDK 820 12 PG	200	3000	2.84
GDK 822 12 PG	225	3000	3.02
GDK 825 12 PG	250	3000	3.22
GDK 830 12 PG	300	3000	3.59
GDK 840 12 PG	400	3000	4.34
GDK 845 12 PG	450	3000	4.72
GDK 850 12 PG	500	3000	5.10
GDK 860 12 PG	600	3000	5.85

### Mounting Example



### GDK H80



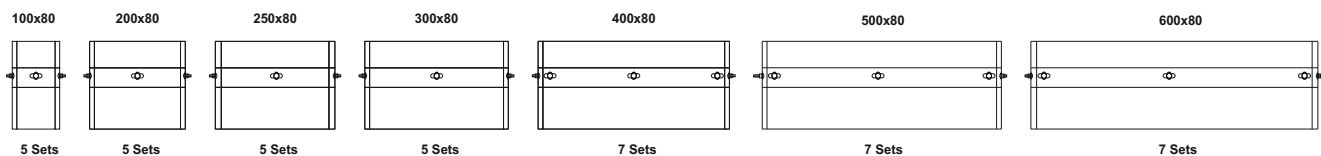
This diagram comply with IEC 61537 with connection to 1/5 of the span and the end span = 0,8x the span  
 Q = max. admissible load (kg/m)  
 L = support distance (m)  
 f = Deflection (mm) / Max. deflection = L/100  
 Safety co-efficient = 1.5

Width	Usable Cross-Section
50	38 cm <sup>2</sup>
100	78 cm <sup>2</sup>
150	118 cm <sup>2</sup>
200	158 cm <sup>2</sup>
300	238 cm <sup>2</sup>
400	318 cm <sup>2</sup>
500	398 cm <sup>2</sup>
600	478 cm <sup>2</sup>

### Recommended Quantities of Bolt and Nut For Integrated Cable Tray Connections

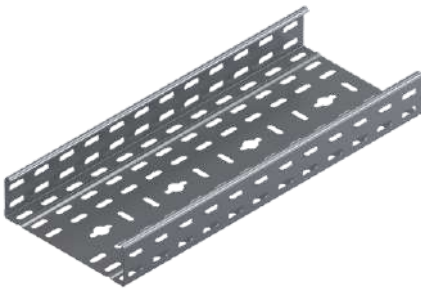
W	H	40	50	60	75	80	85	100
Width Of Cable Tray	50	2 Sets	2 Sets	2 Sets	-	-	-	-
	100	3 Sets	3 Sets	3 Sets	5 Sets	5 Sets	5 Sets	5 Sets
	150	3 Sets	3 Sets	3 Sets	5 Sets	5 Sets	5 Sets	5 Sets
	200	3 Sets	3 Sets	3 Sets	5 Sets	5 Sets	5 Sets	5 Sets
	250	3 Sets	3 Sets	3 Sets	5 Sets	5 Sets	5 Sets	5 Sets
	300	3 Sets	3 Sets	3 Sets	5 Sets	5 Sets	5 Sets	5 Sets
	400	5 Sets	5 Sets	5 Sets	7 Sets	7 Sets	7 Sets	7 Sets
	500	5 Sets	5 Sets	5 Sets	7 Sets	7 Sets	7 Sets	7 Sets
600	5 Sets	5 Sets	5 Sets	7 Sets	7 Sets	7 Sets	7 Sets	

### Recommended Quantities of Bolt and Nut For Integrated Cable Tray Connections



## Perforated Cable Trays - Return Flanges

Ağır Hizmet Kablo Kanalı - Перфорированные лотки



**Important!**  
Joining cable tray sections together only through the use of couplers 2 pcs for 1 Length  
To install cable tray - straight use Screw Sets CFS M6 or CFS M8

### Pre - Galvanised

APK ... H80					APK ... H80				
0.6mm					1.2mm				
CODE	Width a mm	Length L mm	KG 1 mt	pcs	CODE	Width a mm	Length L mm	KG 1 mt	pcs
APK 807 06 PG	75	3000	0.96	2	APK 807 12 PG	75	3000	1.90	2
APK 810 06 PG	100	3000	1.05	2	APK 810 12 PG	100	3000	2.08	2
APK 812 06 PG	125	3000	1.14	2	APK 812 12 PG	125	3000	2.27	2
APK 815 06 PG	150	3000	1.24	2	APK 815 12 PG	150	3000	2.46	2
APK 820 06 PG	200	3000	1.43	2	APK 822 12 PG	225	3000	3.02	2
					0.8mm				
APK 807 08 PG	75	3000	1.27	2	APK 825 12 PG	250	3000	3.22	2
APK 810 08 PG	100	3000	1.39	2	APK 830 12 PG	300	3000	3.59	2
APK 812 08 PG	125	3000	1.52	2	APK 840 12 PG	400	3000	4.34	2
APK 815 08 PG	150	3000	1.65	2	APK 845 12 PG	450	3000	4.72	2
APK 820 08 PG	200	3000	1.90	2	APK 850 12 PG	500	3000	5.10	2
APK 822 08 PG	225	3000	2.02	2	APK 860 12 PG	600	3000	5.85	2
APK 825 08 PG	250	3000	2.15	2					
APK 830 08 PG	300	3000	2.40	2	1.5mm				
					APK 807 15 PG	75	3000	2.35	2
APK 807 10 PG	75	3000	1.58	2	APK 810 15 PG	100	3000	2.58	2
APK 810 10 PG	100	3000	1.74	2	APK 812 15 PG	125	3000	2.82	2
APK 812 10 PG	125	3000	1.90	2	APK 815 15 PG	150	3000	3.06	2
APK 815 10 PG	150	3000	2.05	2	APK 820 15 PG	200	3000	3.53	2
APK 820 10 PG	200	3000	2.37	2	APK 822 15 PG	225	3000	3.76	2
APK 822 10 PG	225	3000	2.52	2	APK 825 15 PG	250	3000	4.00	2
APK 825 10 PG	250	3000	2.68	2	APK 830 15 PG	300	3000	4.47	2
APK 830 10 PG	300	3000	2.99	2	APK 840 15 PG	400	3000	5.41	2
APK 840 10 PG	400	3000	3.62	2	APK 845 15 PG	450	3000	5.88	2
					APK 850 15 PG	500	3000	6.35	2
					APK 860 15 PG	600	3000	7.30	2

## Straight Connector (Coupler)

Birleştirme Elemanı - Прямой соединитель



To Install one lenght ; use 2 pieces of KBE connector 8 sets of CFS bolts and nuts. (M6 or M8)

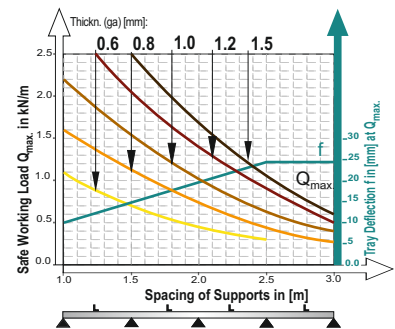
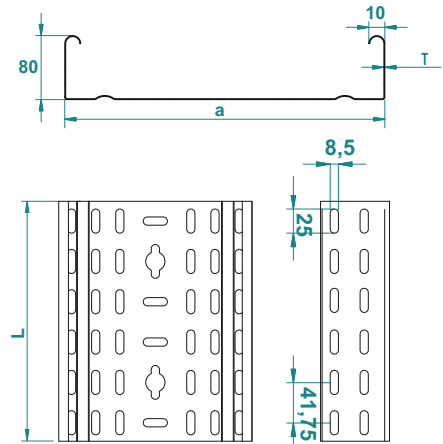
### Pre - Galvanised

KBE 2 ... H80					KBE 2 ... H80				
1.2mm					1.5mm				
CODE	Length L mm	KG 1 pc	pcs		CODE	Length L mm	KG 1 pc	pcs	
KBE 280 12 PG	175	0.12	100		KBE 280 15 PG	175	0.15	100	

### Electro - Galvanized

CFS M6					CFS M8				
M6					M8				
CODE	Size mm	Length L mm	KG 1Set	pcs	CODE	Size mm	Length L mm	KG 1Set	pcs
CFS M6 EG	M6	15	0,008	500	CFS M8 EG	M8	15	0,014	500

## APK H80

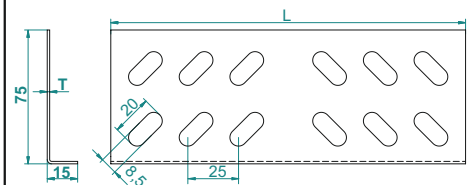


This diagram comply with IEC 61537 with connection to 1/5 of the span and the end span = 0,8x the span  
Q = max. admissible load (kg/m)  
L = support distance (m)  
f = Deflection (mm) / Max. deflection = L/100  
Safety co-efficient = 1.5

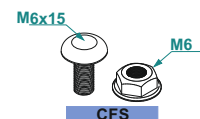
Width	Usable Cross-Section
50	38 cm <sup>2</sup>
100	78 cm <sup>2</sup>
150	118 cm <sup>2</sup>
200	158 cm <sup>2</sup>
300	238 cm <sup>2</sup>
400	318 cm <sup>2</sup>
500	398 cm <sup>2</sup>
600	478 cm <sup>2</sup>



## KBE 2



M6x15 Round head squire neck bolt & M6 Flanged nut



## APPLICATIONS

Cable routing

## MATERIAL

Steel, strip-galv. acc. to the Sendzimir method to TS-EN 10346:2011 (PG)

Available finishes:

HDG-steel, hot-dip galv. to TS-EN ISO 1461:2011 (HDG)  
SS- stainless steel AISI 304L and AISI 316L (SS)  
EP- powder coating in a full range of colours (RAL)

Thickn. (ga) [mm]: **0.6 | 0.8 | 1.0 | 1.2 | 1.5**

## Non Perforated Cable Trays - Return Flanges

Ağır Hizmet Deliksiz Kablo Kanalı - Сплошные лотки



Important!  
Joining cable tray sections together only through the use of couplers 2 pcs for 1 Length  
To install cable tray - straight use Screw Sets CFS M6 or CFS M8

### Pre - Galvanised

ADK ... H80					0.6mm
CODE	Width a mm	Length L mm	KG 1 pc	pcs	
ADK 807 06 PG	75	3000	1.20	2	
ADK 810 06 PG	100	3000	1.31	2	
ADK 812 06 PG	125	3000	1.43	2	
ADK 815 06 PG	150	3000	1.55	2	
ADK 820 06 PG	200	3000	1.79	2	
					0.8mm
ADK 807 08 PG	75	3000	1.59	2	
ADK 810 08 PG	100	3000	1.74	2	
ADK 812 08 PG	125	3000	1.90	2	
ADK 815 08 PG	150	3000	2.06	2	
ADK 820 08 PG	200	3000	2.37	2	
ADK 822 08 PG	225	3000	2.53	2	
ADK 825 08 PG	250	3000	2.69	2	
ADK 830 08 PG	300	3000	3.00	2	
					1.0mm
ADK 807 10 PG	75	3000	1.98	2	
ADK 810 10 PG	100	3000	2.17	2	
ADK 812 10 PG	125	3000	2.37	2	
ADK 815 10 PG	150	3000	2.56	2	
ADK 820 10 PG	200	3000	2.96	2	
ADK 822 10 PG	225	3000	3.15	2	
ADK 825 10 PG	250	3000	3.35	2	
ADK 830 10 PG	300	3000	3.74	2	
ADK 840 10 PG	400	3000	4.53	2	

ADK ... H80					1.2mm
CODE	Width a mm	Length L mm	KG 1 pc	pcs	
ADK 807 12 PG	75	3000	2.37	2	
ADK 810 12 PG	100	3000	2.60	2	
ADK 812 12 PG	125	3000	2.84	2	
ADK 815 12 PG	150	3000	3.08	2	
ADK 820 12 PG	200	3000	3.55	2	
ADK 822 12 PG	225	3000	3.78	2	
ADK 825 12 PG	250	3000	4.02	2	
ADK 830 12 PG	300	3000	4.49	2	
ADK 840 12 PG	400	3000	5.43	2	
ADK 845 12 PG	450	3000	5.90	2	
ADK 850 12 PG	500	3000	6.37	2	
ADK 860 12 PG	600	3000	7.31	2	
					1.5mm
ADK 807 15 PG	75	3000	2.94	2	
ADK 810 15 PG	100	3000	3.23	2	
ADK 812 15 PG	125	3000	3.53	2	
ADK 815 15 PG	150	3000	3.82	2	
ADK 820 15 PG	200	3000	4.41	2	
ADK 822 15 PG	225	3000	4.70	2	
ADK 825 15 PG	250	3000	5.00	2	
ADK 830 15 PG	300	3000	5.59	2	
ADK 840 15 PG	400	3000	6.76	2	
ADK 845 15 PG	450	3000	7.35	2	
ADK 850 15 PG	500	3000	7.94	2	
ADK 860 15 PG	600	3000	9.12	2	

## Seperator

Seperatör - Перегородка



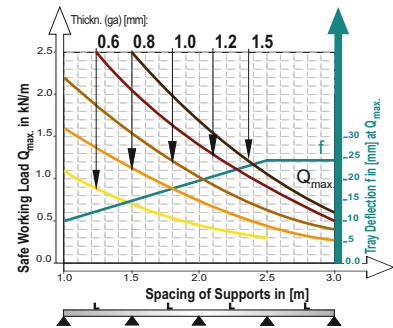
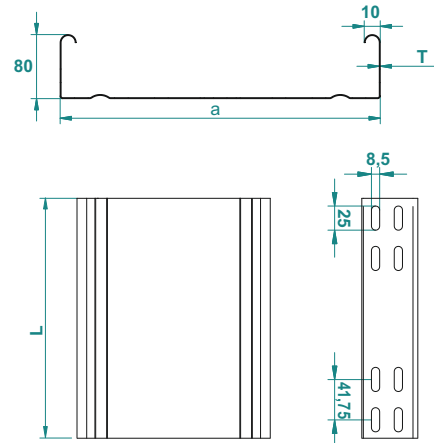
To Install Seperator use CFS bolts and nuts. (M6 or M8)

### Pre - Galvanised

SEP 1 ... H80					1.0mm
CODE	Length L mm	KG 1m	pcs		
SEP 180 10 PG	3000	0.75	1		

SEP 1 ... H80					1.5mm
CODE	Length L mm	KG 1m	pcs		
SEP 180 15 PG	3000	1.12	1		

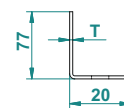
## ADK H80



This diagram comply with IEC 61537 with connection to 1/5 of the span and the end span = 0,8x the span  
Q = max. admissible load (kg/m)  
L = support distance (m)  
f = Deflection (mm) / Max. deflection = L/100  
Safely co-efficient = 1.5

Width	Usable Cross-Section
50	40 cm <sup>2</sup>
100	80 cm <sup>2</sup>
150	120 cm <sup>2</sup>
200	160 cm <sup>2</sup>
300	240 cm <sup>2</sup>
400	320 cm <sup>2</sup>
500	400 cm <sup>2</sup>
600	480 cm <sup>2</sup>

## SEP 1 H80



## APPLICATIONS

Cable routing

## MATERIAL

Steel, strip-galv. acc. to the Sendzimir method to TS-EN 10346:2011 (PG)

Available finishes:

HDG-steel, hot-dip galv. to TS-EN ISO 1461:2011 (HDG)  
SS- stainless steel AISI 304L and AISI 316L (SS)  
EP- powder coating in a full range of colours (RAL)

Thickn. (ga) [mm]: **0.6 0.8 1.0 1.2 1.5**

## 90° Horizontal Bend of Cable Tray

90° Yatay Kanal Dönüş Elemanı - Угол горизонтальный 90°



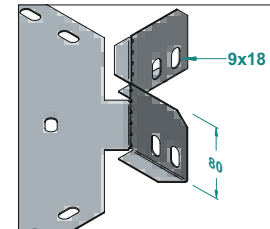
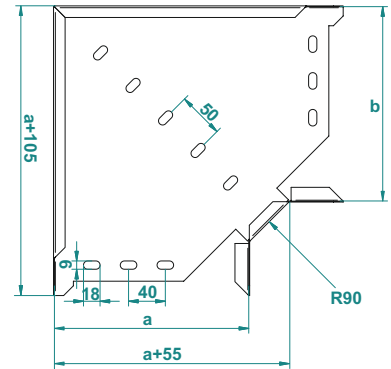
Pre - Galvanised

Important!  
To install cable tray - bend use Screw Sets CFS M6 or CFS M8

KA90 ... H80		1.0mm	
CODE	Width a=b mm	kg 1 pc	pcs
KA90 807 10 PG	75	0.38	1
KA90 810 10 PG	100	0.55	1
KA90 812 10 PG	125	0.64	1
KA90 815 10 PG	150	0.74	1
KA90 820 10 PG	200	0.97	1
KA90 822 10 PG	225	1.09	1
KA90 825 10 PG	250	1.22	1
		1.2mm	
KA90 830 12 PG	300	1.91	1
KA90 840 12 PG	400	2.72	1
KA90 845 12 PG	450	3.17	1
KA90 850 12 PG	500	3.66	1
KA90 860 12 PG	600	4.75	1

KA90 ... H80		1.5mm	
CODE	Width a=b mm	kg 1 pc	pcs
KA90 807 15 PG	75	0.57	1
KA90 810 15 PG	100	0.82	1
KA90 812 15 PG	125	0.96	1
KA90 815 15 PG	150	1.11	1
KA90 820 15 PG	200	1.45	1
KA90 822 15 PG	225	1.63	1
KA90 825 15 PG	250	1.83	1
KA90 830 15 PG	300	2.39	1
KA90 840 15 PG	400	3.39	1
KA90 845 15 PG	450	3.96	1
KA90 850 15 PG	500	4.58	1
KA90 860 15 PG	600	5.94	1

### KA90 H80



## 45° Horizontal Bend of Cable Tray

45° Yatay Kanal Dönüş Elemanı - Угол горизонтальный 45°



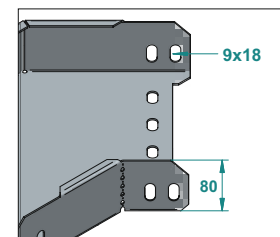
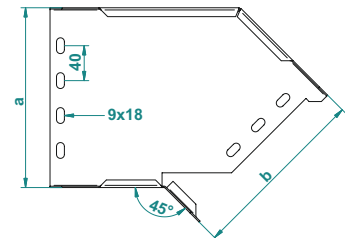
Pre - Galvanised

Important!  
To install cable tray - bend use Screw Sets CFS M6 or CFS M8

KA45 ... H80		1.0mm	
CODE	Width a=b mm	kg 1 pc	pcs
KA45 807 10 PG	75	0.41	1
KA45 810 10 PG	100	0.49	1
KA45 812 10 PG	125	0.62	1
KA45 815 10 PG	150	0.72	1
KA45 820 10 PG	200	0.94	1
KA45 822 10 PG	225	1.06	1
KA45 825 10 PG	250	1.19	1
		1.2mm	
KA45 830 12 PG	300	1.76	1
KA45 840 12 PG	400	2.54	1
KA45 845 12 PG	450	2.98	1
KA45 850 12 PG	500	3.46	1
KA45 860 12 PG	600	4.52	1

KA45 ... H80		1.5mm	
CODE	Width a=b mm	kg 1 pc	pcs
KA45 807 15 PG	75	0.61	1
KA45 810 15 PG	100	0.73	1
KA45 812 15 PG	125	0.93	1
KA45 815 15 PG	150	1.08	1
KA45 820 15 PG	200	1.41	1
KA45 822 15 PG	225	1.59	1
KA45 825 15 PG	250	1.78	1
KA45 830 15 PG	300	2.20	1
KA45 840 15 PG	400	3.18	1
KA45 845 15 PG	450	3.73	1
KA45 850 15 PG	500	4.32	1
KA45 860 15 PG	600	5.65	1

### KA45 H80



### APPLICATIONS

Cable routing

### MATERIAL

Steel, strip-galv. acc. to the Sendzimir method to TS-EN 10346:2011 (PG)

Available finishes:

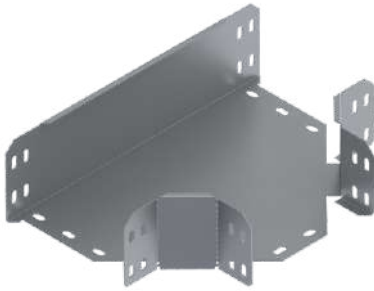
HDG-steel, hot-dip galv. to TS-EN ISO 1461:2011 (HDG)  
SS- stainless steel AISI 304L and AISI 316L (SS)  
EP- powder coating in a full range of colours (RAL)

Thickn. (ga) [mm]:

**0.6 0.8 1.0 1.2 1.5**

## Tea Horizontal Bend of Cable Tray

"T" Yatay Kanal Dönüş Elemanı - T-отвод горизонтальный



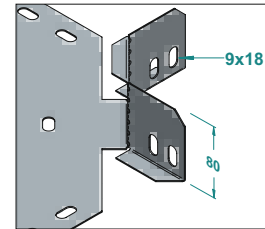
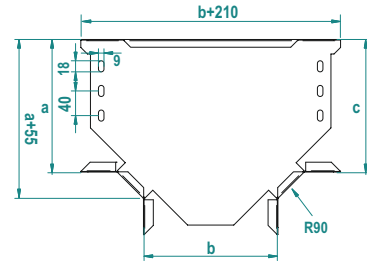
Pre - Galvanised

Important!  
To install cable tray - bend use Screw Sets CFS M6 or CFS M8

KAT ... H80		1.0mm	
CODE	Width a=b=c mm	Kg 1 pc	pcs
KAT 807 10 PG	75	0.51	1
KAT 810 10 PG	100	0.73	1
KAT 812 10 PG	125	0.84	1
KAT 815 10 PG	150	0.95	1
KAT 820 10 PG	200	1.20	1
KAT 822 10 PG	225	1.34	1
KAT 825 10 PG	250	1.49	1
		1.2mm	
KAT 830 12 PG	300	2.37	1
KAT 840 12 PG	400	3.26	1
KAT 845 12 PG	450	3.76	1
KAT 850 12 PG	500	4.30	1
KAT 860 12 PG	600	5.47	1

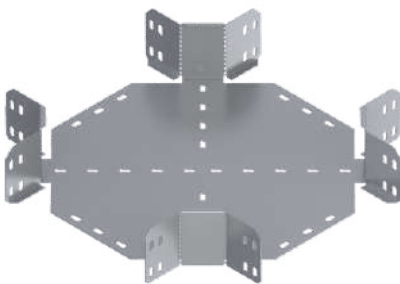
KAT ... H80		1.5mm	
CODE	Width a=b=c mm	Kg 1 pc	pcs
KAT 807 15 PG	75	0.77	1
KAT 810 15 PG	100	1.09	1
KAT 812 15 PG	125	1.25	1
KAT 815 15 PG	150	1.43	1
KAT 820 15 PG	200	1.81	1
KAT 822 15 PG	225	2.01	1
KAT 825 15 PG	250	2.23	1
KAT 830 15 PG	300	2.96	1
KAT 840 15 PG	400	4.08	1
KAT 845 15 PG	450	4.70	1
KAT 850 15 PG	500	5.37	1
KAT 860 15 PG	600	6.84	1

KAT H80



## Cross Bend of Cable Tray

4'lü Bağlantı Elemanı- Крестовина



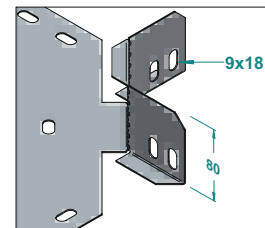
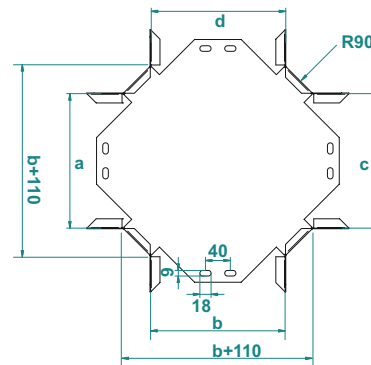
Pre - Galvanised

Important!  
To install cable tray - bend use Screw Sets CFS M6 or CFS M8

KAD ... H80		1.0mm	
CODE	Width a=b=c=d mm	Kg 1 pc	pcs
KAD 807 10 PG	75	0.68	1
KAD 810 10 PG	100	0.97	1
KAD 812 10 PG	125	1.09	1
KAD 815 10 PG	150	1.22	1
KAD 820 10 PG	200	1.50	1
KAD 822 10 PG	225	1.65	1
KAD 825 10 PG	250	1.81	1
		1.2mm	
KAD 830 12 PG	300	2.94	1
KAD 840 12 PG	400	3.92	1
KAD 845 12 PG	450	4.47	1
KAD 850 12 PG	500	5.04	1
KAD 860 12 PG	600	6.31	1

KAD ... H80		1.5mm	
CODE	Width a=b=c=d mm	Kg 1 pc	pcs
KAD 807 15 PG	75	1.02	1
KAD 810 15 PG	100	1.45	1
KAD 812 15 PG	125	1.63	1
KAD 815 15 PG	150	1.83	1
KAD 820 15 PG	200	2.25	1
KAD 822 15 PG	225	2.48	1
KAD 825 15 PG	250	2.72	1
KAD 830 15 PG	300	3.67	1
KAD 840 15 PG	400	4.90	1
KAD 845 15 PG	450	5.58	1
KAD 850 15 PG	500	6.31	1
KAD 860 15 PG	600	7.89	1

KAD H80



### APPLICATIONS

Cable routing

### MATERIAL

Steel, strip-galv. acc. to the Sendzimir method to TS-EN 10346:2011 (PG)

Available finishes:

HDG-steel, hot-dip galv. to TS-EN ISO 1461:2011 (HDG)

SS- stainless steel AISI 304L and AISI 316L (SS)

EP- powder coating in a full range of colours (RAL)

Thickn. (ga) [mm]:

0.6 0.8 1.0 1.2 1.5

## Vertical Outside Bend of Cable Tray (Flexible)

Kanal Dış Bükü - Арка универсальная, внешний изгиб



Pre - Galvanised

KADB ... H80		1.0mm		kg	pcs
CODE	Width a mm	Length L mm	kg	1 pc	pcs
KADB 807 10 PG	75	600	0.93	1	
KADB 810 10 PG	100	600	1.02	1	
KADB 812 10 PG	125	600	1.11	1	
KADB 815 10 PG	150	600	1.20	1	
KADB 820 10 PG	200	600	1.39	1	
KADB 822 10 PG	225	600	1.48	1	
KADB 825 10 PG	250	600	1.58	1	
		1.2mm		kg	pcs
KADB 830 12 PG	300	600	2.11	1	
KADB 840 12 PG	400	600	3.05	1	
KADB 845 12 PG	450	600	3.32	1	
KADB 850 12 PG	500	600	3.59	1	
KADB 860 12 PG	600	600	4.12	1	

Important!  
To install vertical bend - use 2 pieces of KBE connectors and 4 sets of CFS bolts and nuts ( M6 or M8).

KADB ... H80		1.5mm		kg	pcs
CODE	Width a mm	Length L mm	kg	1 pc	pcs
KADB 807 15 PG	75	600	1.38	1	
KADB 810 15 PG	100	600	1.52	1	
KADB 812 15 PG	125	600	1.66	1	
KADB 815 15 PG	150	600	1.79	1	
KADB 820 15 PG	200	600	2.07	1	
KADB 822 15 PG	225	600	2.21	1	
KADB 825 15 PG	250	600	2.35	1	
KADB 830 15 PG	300	600	2.62	1	
KADB 840 15 PG	400	600	3.80	1	
KADB 845 15 PG	450	600	4.14	1	
KADB 850 15 PG	500	600	4.47	1	
KADB 860 15 PG	600	600	5.13	1	

## Vertical Inside Bend of Cable Tray (Flexible)

Kanal İç Bükü - Арка универсальная, внутренний изгиб



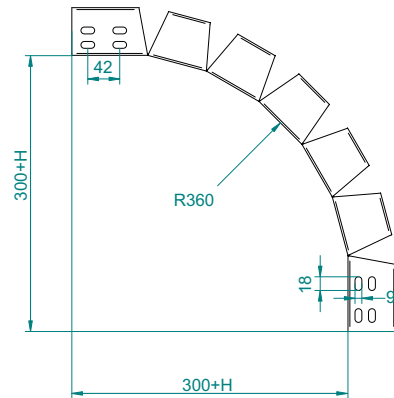
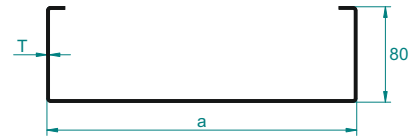
Pre - Galvanised

KAIB ... H80		1.0mm		kg	pcs
CODE	Width a mm	Length L mm	kg	1 pc	pcs
KAIB 807 10 PG	75	600	0.93	1	
KAIB 810 10 PG	100	600	1.02	1	
KAIB 812 10 PG	125	600	1.11	1	
KAIB 815 10 PG	150	600	1.20	1	
KAIB 820 10 PG	200	600	1.39	1	
KAIB 822 10 PG	225	600	1.48	1	
KAIB 825 10 PG	250	600	1.58	1	
		1.2mm		kg	pcs
KAIB 830 12 PG	300	600	2.11	1	
KAIB 840 12 PG	400	600	3.05	1	
KAIB 845 12 PG	450	600	3.32	1	
KAIB 850 12 PG	500	600	3.59	1	
KAIB 860 12 PG	600	600	4.12	1	

Important!  
To install vertical bend - use 2 pieces of KBE connectors and 4 sets of CFS bolts and nuts ( M6 or M8).

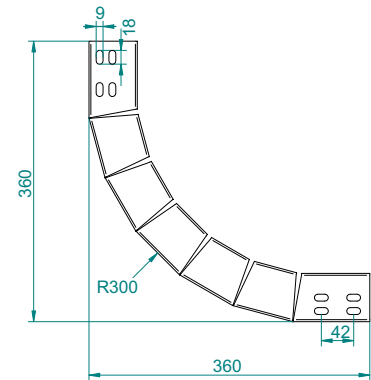
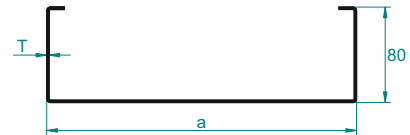
KAIB ... H80		1.5mm		kg	pcs
CODE	Width a mm	Length L mm	kg	1 pc	pcs
KAIB 807 15 PG	75	600	1.38	1	
KAIB 810 15 PG	100	600	1.52	1	
KAIB 812 15 PG	125	600	1.66	1	
KAIB 815 15 PG	150	600	1.79	1	
KAIB 820 15 PG	200	600	2.07	1	
KAIB 822 15 PG	225	600	2.21	1	
KAIB 825 15 PG	250	600	2.35	1	
KAIB 830 15 PG	300	600	2.62	1	
KAIB 840 15 PG	400	600	3.80	1	
KAIB 845 15 PG	450	600	4.14	1	
KAIB 850 15 PG	500	600	4.47	1	
KAIB 860 15 PG	600	600	5.13	1	

### KADB H80



KADB and KAIB are the same items, shipped flat.  
To install - Bend manually during application.  
in Flat Length = 600mm

### KAIB H80



KADB and KAIB are the same items, shipped flat.  
To install - Bend manually during application.  
in Flat Length = 600mm

### APPLICATIONS

Cable routing

### MATERIAL

Steel, strip-galv. acc. to the Sendzimir method to TS-EN 10346:2011 (PG)

Available finishes:

HDG-steel, hot-dip galv. to TS-EN ISO 1461:2011 (HDG)  
SS- stainless steel AISI 304L and AISI 316L (SS)  
EP- powder coating in a full range of colours (RAL)

Thickn. (ga) [mm]: **0.6 0.8 1.0 1.2 1.5**

## Add On 90° Horizontal Corner Bend of Cable Tray

90° Köşe Yatay Kanal Dönüş Eki - Угол 90° врезной



Pre - Galvanised

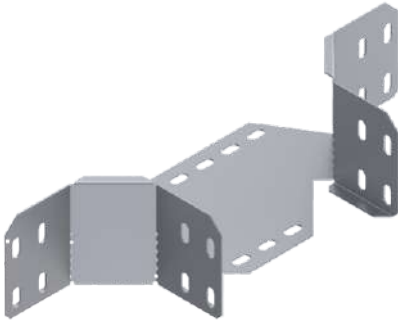
Important!  
To install cable tray - bend use Screw Sets CFS M6 or CFS M8

KA90E ... H80		1.0mm		kg	pcs
CODE	a mm	Radius R mm	R mm	1 pc	1 pc
KA90E 8 10 PG	55	90	0.18	1	
KA90ER1 8 10 PG	90	150	0.27	1	
KA90ER2 8 10 PG	180	300	0.54	1	

KA90E ... H80		1.5mm		kg	pcs
CODE	a mm	Radius R mm	R mm	1 pc	1 pc
KA90E 8 15 PG	55	90	0.27	1	
KA90ER1 8 15 PG	90	150	0.41	1	
KA90ER2 8 15 PG	180	300	0.81	1	

## Add on tee horizontal bend

"T" yatay kanal dönüş eki - T-отвод горизонтальный врезной



Pre - Galvanised

Important!  
To install cable tray - bend use Screw Sets CFS M6 or CFS M8

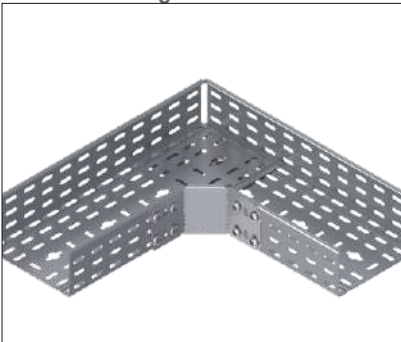
KATE ... H80		1.0mm		kg	pcs
CODE	Width a mm	Radius R mm	R mm	1 pc	1 pc
KATE 810 10 PG	100	90	0.44	1	
KATE 812 10 PG	125	90	0.46	1	
KATE 815 10 PG	150	90	0.49	1	
KATE 820 10 PG	200	90	0.55	1	
KATE 822 10 PG	225	90	0.58	1	
KATE 825 10 PG	250	90	0.60	1	

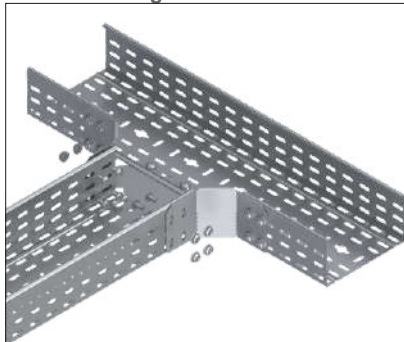
KATE ... H80		1.2mm		kg	pcs
CODE	Width a mm	Radius R mm	R mm	1 pc	1 pc
KATE 830 12 PG	300	90	0.79	1	
KATE 840 12 PG	400	90	0.93	1	
KATE 845 12 PG	450	90	0.99	1	
KATE 850 12 PG	500	90	0.98	1	
KATE 860 12 PG	600	90	1.19	1	

KATER1 ... H80		1.5mm		kg	pcs
CODE	Width a mm	Radius R mm	R mm	1 pc	1 pc
KATER1 810 15 PG	100	150	1.18	1	
KATER1 812 15 PG	125	150	1.24	1	
KATER1 815 15 PG	150	150	1.31	1	
KATER1 820 15 PG	200	150	1.43	1	
KATER1 822 15 PG	225	150	1.50	1	
KATER1 825 15 PG	250	150	1.56	1	
KATER1 830 15 PG	300	150	1.69	1	
KATER1 840 15 PG	400	150	1.95	1	
KATER1 845 15 PG	450	150	2.07	1	
KATER1 850 15 PG	500	150	2.20	1	
KATER1 860 15 PG	600	150	2.46	1	

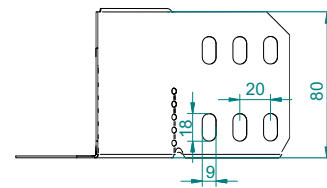
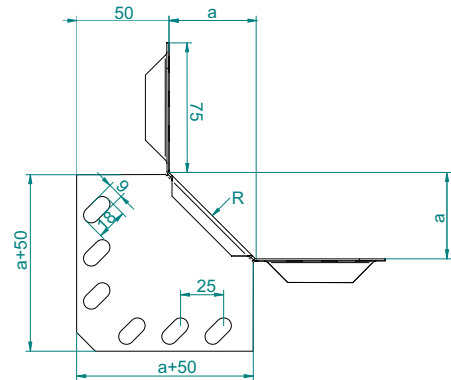
### KA90E Mounting



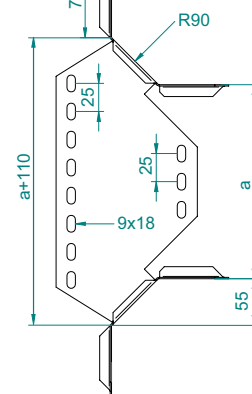
### KATE Mounting



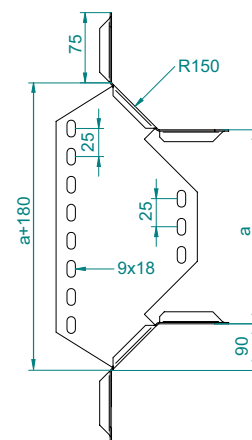
### KA90E H80



### KATE H80



### KATER1 H80



APPLICATIONS  
Cable routing

MATERIAL  
Steel, strip-galv. acc. to the Sendzimir method to TS-EN 10346:2011 (PG)

Available finishes:  
HDG-steel, hot-dip galv. to TS-EN ISO 1461:2011 (HDG)  
SS- stainless steel AISI 304L and AISI 316L (SS)  
EP- powder coating in a full range of colours (RAL)

Thickn. (ga) [mm]: **0.6 0.8 1.0 1.2 1.5**

## Adjustable Vertical Connector (2 Pcs)

*Dikey Seviye Degistirme Eki (2 Adet) - Шарнирный соединитель для лотка*



Pre - Galvanised

To Install one lenght; use 2 pieces of BDD connector and 10 sets of CFS bolts and nuts. (M6 or M8 )

BDD 2 ... H80				BDD 2 ... H80			
1.2mm				1.5mm			
CODE	Length L mm	KG 1 pc	pcs	CODE	Length L mm	KG 1 pc	pcs
BDD 280 12 PG	250	0.22	1	BDD 280 15 PG	250	0.27	1

## Adjustable Horizontal Connector

*Yatay Seviye Degistirme Eki - Угловой соединитель*



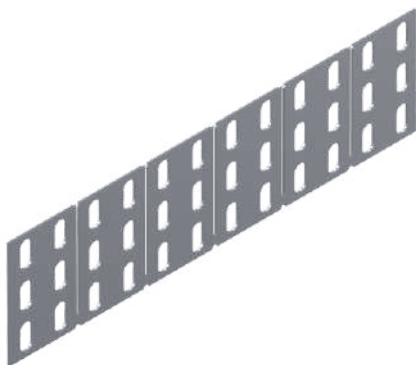
Pre - Galvanised

To Install one lenght; use 2 pieces of BYD connector and 8 sets of CFS bolts and nuts. (M6 or M8)

BYD 2 ... H80				BYD 2 ... H80			
1.2mm				1.5mm			
CODE	Length L mm	KG 1 pc	pcs	CODE	Length L mm	KG 1 pc	pcs
BYD 280 12 PG	175	0,12	1	BYD 280 15 PG	175	0.15	1

## Adjustable horizontal connector - Long Type

*Yatay seviye degistirme eki uzun tip - Угловой соединитель - длинный*

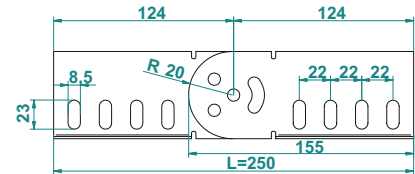
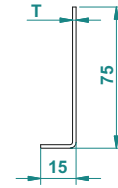


Pre - Galvanised

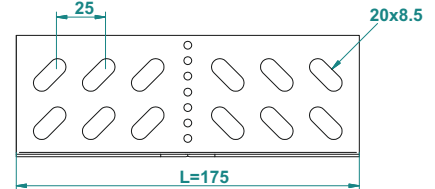
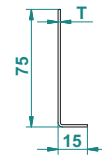
Important!  
To install cable tray - connector use Screw Sets CFS M6 or CFS M8

BYDU 1 ... H80				BYDU 1 ... H80			
1.2mm				1.5mm			
CODE	Length L mm	KG 1 pc	pcs	CODE	Length L mm	KG 1 pc	pcs
BYDU 180 12 PG	1000	0.29	1	BYDU 180 15 PG	1000	0.36	1

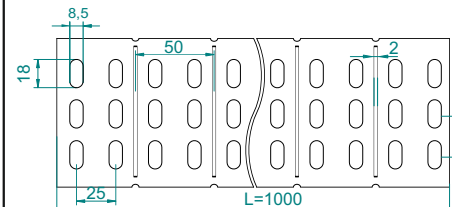
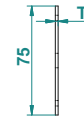
### BDD 2 H80



### BYD 2 H80



### BYDU 1 H60



### APPLICATIONS

Cable routing

### MATERIAL

Steel, strip-galv. acc. to the Sendzimir method to TS-EN 10346:2011 (PG)

Available finishes:

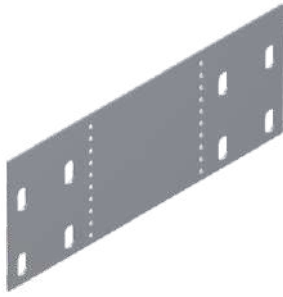
HDG-steel, hot-dip galv. to TS-EN ISO 1461:2011 (HDG)  
SS- stainless steel AISI 304L and AISI 316L (SS)  
EP- powder coating in a full range of colours (RAL)

Thickn. (ga) [mm]: **0.6|0.8|1.0|1.2|1.5**

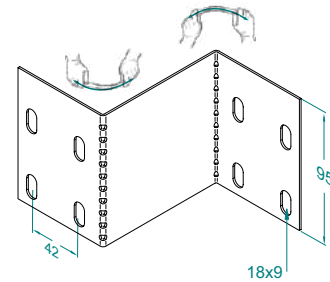
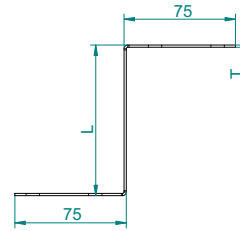


## Reducer Connector - Single Type

Redüksiyon Eki (Tek) - Редукционный переходник



### RT H80



Pre - Galvanised

Important!  
To install cable tray - reducer use Screw Sets  
CFS M6 or CFS M8

RT ... H80		1.5mm	
CODE	Length L mm	kg 1 pc	pcs
RT 80 25 15 PG	25	0,12	1
RT 80 50 15 PG	50	0,14	1
RT 80 75 15 PG	75	0,16	1
RT 80 100 15 PG	100	0,18	1
RT 80 125 15 PG	125	0,19	1
RT 80 150 15 PG	150	0,21	1
RT 80 175 15 PG	175	0,23	1
RT 80 200 15 PG	200	0,25	1
RT 80 225 15 PG	225	0,26	1
RT 80 250 15 PG	250	0,28	1
RT 80 275 15 PG	275	0,30	1
RT 80 300 15 PG	300	0,32	1

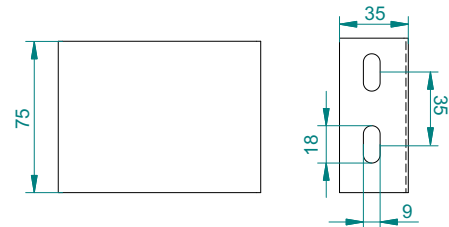
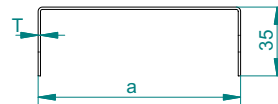
RT ... H80		1.5mm	
CODE	Length L mm	kg 1 pc	pcs
RT 80 325 15 PG	325	0,34	1
RT 80 350 15 PG	350	0,35	1
RT 80 375 15 PG	375	0,37	1
RT 80 400 15 PG	400	0,39	1
RT 80 425 15 PG	425	0,41	1
RT 80 450 15 PG	450	0,42	1
RT 80 475 15 PG	475	0,44	1
RT 80 500 15 PG	500	0,46	1
RT 80 525 15 PG	525	0,48	1
RT 80 550 15 PG	550	0,49	1
RT 80 575 15 PG	575	0,51	1

## Stop End (Blind End)

Sonlandırma - Зарпушка



### SON H80



Pre - Galvanised

Important!  
To install cable tray - stop end use Screw Sets  
CFS M6 or CFS M8

SON ... H80		1.2mm	
CODE	Width a mm	kg 1 pc	pcs
SON 807 12 PG	75	0,11	1
SON 810 12 PG	100	0,12	1
SON 812 12 PG	125	0,14	1
SON 815 12 PG	150	0,15	1
SON 820 12 PG	200	0,18	1
SON 822 12 PG	225	0,19	1
SON 825 12 PG	250	0,21	1
SON 830 12 PG	300	0,24	1
SON 840 12 PG	400	0,29	1
SON 845 12 PG	450	0,32	1
SON 850 12 PG	500	0,35	1
SON 860 12 PG	600	0,41	1

SON ... H80		1.5mm	
CODE	Width a mm	kg 1 pc	pcs
SON 807 15 PG	75	0,14	1
SON 810 15 PG	100	0,16	1
SON 812 15 PG	125	0,17	1
SON 815 15 PG	150	0,19	1
SON 820 15 PG	200	0,23	1
SON 822 15 PG	225	0,24	1
SON 825 15 PG	250	0,26	1
SON 830 15 PG	300	0,30	1
SON 840 15 PG	400	0,37	1
SON 845 15 PG	450	0,40	1
SON 850 15 PG	500	0,44	1
SON 860 15 PG	600	0,51	1

### APPLICATIONS

Cable routing

### MATERIAL

Steel, strip-galv. acc. to the Sendzimir method to TS-EN 10346:2011 (PG)

Available finishes:

HDG-steel, hot-dip galv. to TS-EN ISO 1461:2011 (HDG)  
SS- stainless steel AISI 304L and AISI 316L (SS)  
EP- powder coating in a full range of colours (RAL)

Thickn. (ga) [mm]:

0.6 | 0.8 | 1.0 | 1.2 | 1.5

# Cable Trays - System of Side Height H100



## Integrated Perforated Cable Trays - Return Flanges

Geçmeli Tip Kablo Kanalı - Интегрированные Перфорированные лотки



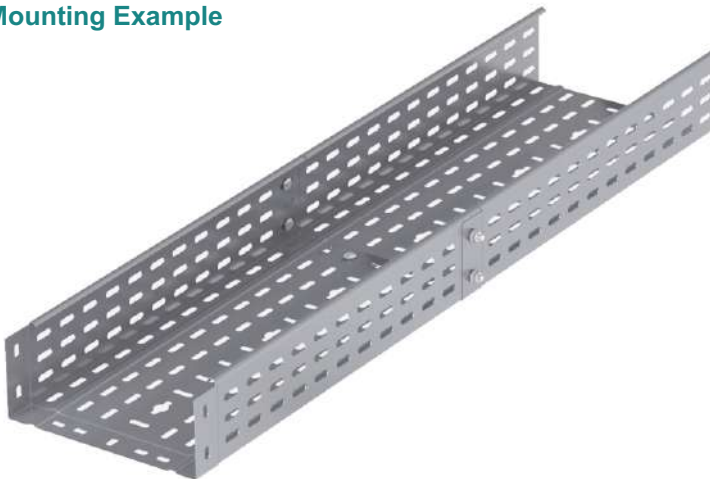
### Pre - Galvanised

GPK ... H100						0.6mm
CODE	Width a mm	Length L mm	KG 1 mt	pcs		
GPK 110 06 PG	100	3000	1.20	2		
GPK 112 06 PG	125	3000	1.30	2		
GPK 115 06 PG	150	3000	1.39	2		
GPK 120 06 PG	200	3000	1.58	2		
GPK ... H100						0.7mm
CODE	Width a mm	Length L mm	KG 1 mt	pcs		
GPK 110 07 PG	100	3000	1.40	2		
GPK 112 07 PG	125	3000	1.51	2		
GPK 115 07 PG	150	3000	1.62	2		
GPK 120 07 PG	200	3000	1.84	2		
GPK ... H100						0.8mm
CODE	Width a mm	Length L mm	KG 1 mt	pcs		
GPK 110 08 PG	100	3000	1.60	2		
GPK 112 08 PG	125	3000	1.72	2		
GPK 115 08 PG	150	3000	1.85	2		
GPK 120 08 PG	200	3000	2.10	2		
GPK 122 08 PG	225	3000	2.22	2		
GPK 125 08 PG	250	3000	2.35	2		
GPK 130 08 PG	300	3000	2.60	2		

Important!  
Joining cable tray sections together only use  
Screw Sets CFS M6 or CFS M8

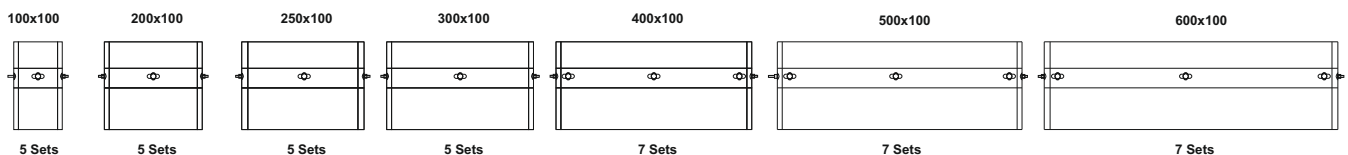
GPK ... H100						1.0mm
CODE	Width a mm	Length L mm	KG 1 mt	pcs		
GPK 110 10 PG	100	3000	1.99	2		
GPK 112 10 PG	125	3000	2.14	2		
GPK 115 10 PG	150	3000	2.30	2		
GPK 120 10 PG	200	3000	2.62	2		
GPK 122 10 PG	225	3000	2.78	2		
GPK 125 10 PG	250	3000	2.93	2		
GPK 130 10 PG	300	3000	3.25	2		
GPK 140 10 PG	400	3000	3.87	2		
GPK ... H100						1.2mm
CODE	Width a mm	Length L mm	KG 1 mt	pcs		
GPK 110 12 PG	100	3000	2.38	2		
GPK 112 12 PG	125	3000	2.58	2		
GPK 115 12 PG	150	3000	2.76	2		
GPK 120 12 PG	200	3000	3.14	2		
GPK 122 12 PG	225	3000	3.33	2		
GPK 125 12 PG	250	3000	3.51	2		
GPK 130 12 PG	300	3000	3.90	2		
GPK 140 12 PG	400	3000	4.65	2		
GPK 145 12 PG	450	3000	5.02	2		
GPK 150 12 PG	500	3000	5.40	2		
GPK 160 12 PG	600	3000	6.15	2		

### Mounting Example

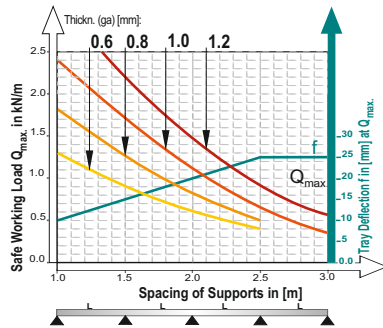
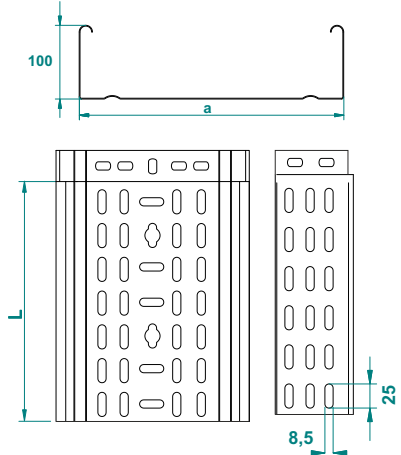


### Recommended Quantities of Bolt and Nut For Integrated Cable Tray Connections

Width of Cable Tray	W	H	40	50	60	75	80	85	100
50	2 Sets	2 Sets	2 Sets	-	-	-	-	-	-
100	3 Sets	3 Sets	3 Sets	5 Sets	5 Sets	5 Sets	5 Sets	5 Sets	5 Sets
150	3 Sets	3 Sets	3 Sets	5 Sets	5 Sets	5 Sets	5 Sets	5 Sets	5 Sets
200	3 Sets	3 Sets	3 Sets	5 Sets	5 Sets	5 Sets	5 Sets	5 Sets	5 Sets
250	3 Sets	3 Sets	3 Sets	5 Sets	5 Sets	5 Sets	5 Sets	5 Sets	5 Sets
300	3 Sets	3 Sets	3 Sets	5 Sets	5 Sets	5 Sets	5 Sets	5 Sets	5 Sets
400	5 Sets	5 Sets	5 Sets	7 Sets	7 Sets	7 Sets	7 Sets	7 Sets	7 Sets
500	5 Sets	5 Sets	5 Sets	7 Sets	7 Sets	7 Sets	7 Sets	7 Sets	7 Sets
600	5 Sets	5 Sets	5 Sets	7 Sets	7 Sets	7 Sets	7 Sets	7 Sets	7 Sets



### GPK H100



This diagram comply with IEC 61537 with connection to 1/5 of the span and the end span = 0,8x the span  
 $Q = \text{max. admissible load (kg/m)}$   
 $L = \text{support distance (m)}$   
 $f = \text{Deflection (mm) / Max. deflection} = L/100$   
 Safely co-efficient = 1.5

Width	Usable Cross-Section
100	98 cm <sup>2</sup>
150	148 cm <sup>2</sup>
200	198 cm <sup>2</sup>
300	298 cm <sup>2</sup>
400	398 cm <sup>2</sup>
500	498 cm <sup>2</sup>
600	598 cm <sup>2</sup>

Available finishes:  
 HDG-steel, hot-dip galv. to TS-EN ISO 1461:2011 (HDG)  
 SS- stainless steel AISI 304L and AISI 316L (SS)  
 EP- powder coating in a full range of colours (RAL)

Thickn. (ga) [mm]: 0.8 1.0 1.2 1.5

# Cable Trays - System of Side Height H100



## Integrated Perforated Cable Trays - Return Flanges

Geçmeli Tip Kablo Kanalı - Интегрированные Перфорированные лотки



Important!  
Joining cable tray sections together only use  
Screw Sets CFS M6 or CFS M8

### Pre - Galvanised

GDK ... H100		0.6mm	
CODE	Width a mm	Length L mm	KG 1 mt
GDK 110 06 PG	100	3000	1.50
GDK 112 06 PG	125	3000	1.62
GDK 115 06 PG	150	3000	1.74
GDK 120 06 PG	200	3000	1.97

GDK ... H100		0.7mm	
CODE	Width a mm	Length L mm	KG 1 pc
GDK 110 07 PG	100	3000	1.75
GDK 112 07 PG	125	3000	1.89
GDK 115 07 PG	150	3000	2.03
GDK 120 07 PG	200	3000	2.30

GDK ... H100		0.8mm	
CODE	Width a mm	Length L mm	KG 1 mt
GDK 110 08 PG	100	3000	2.00
GDK 112 08 PG	125	3000	2.15
GDK 115 08 PG	150	3000	2.31
GDK 120 08 PG	200	3000	2.62
GDK 122 08 PG	225	3000	2.78
GDK 125 08 PG	250	3000	2.94
GDK 130 08 PG	300	3000	3.25

GDK ... H100		1.0mm	
CODE	Width a mm	Length L mm	KG 1mt
GDK 110 10 PG	100	3000	2.49
GDK 112 10 PG	125	3000	2.68
GDK 115 10 PG	150	3000	2.88
GDK 120 10 PG	200	3000	3.27
GDK 122 10 PG	225	3000	3.47
GDK 125 10 PG	250	3000	3.66
GDK 130 10 PG	300	3000	4.06
GDK 140 10 PG	400	3000	4.84

GDK ... H100		1.2mm	
CODE	Width a mm	Length L mm	KG 1 mt
GDK 110 12 PG	100	3000	2.89
GDK 112 12 PG	125	3000	3.22
GDK 115 12 PG	150	3000	3.45
GDK 120 12 PG	200	3000	3.92
GDK 122 12 PG	225	3000	4.16
GDK 125 12 PG	250	3000	4.39
GDK 130 12 PG	300	3000	4.87
GDK 140 12 PG	400	3000	5.81
GDK 145 12 PG	450	3000	6.28
GDK 150 12 PG	500	3000	6.75
GDK 160 12 PG	600	3000	7.69

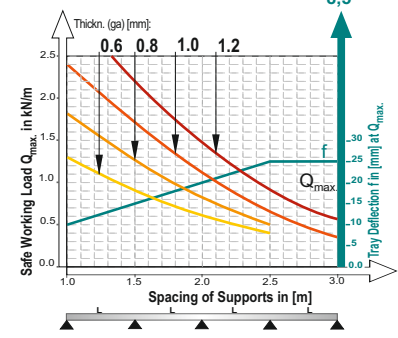
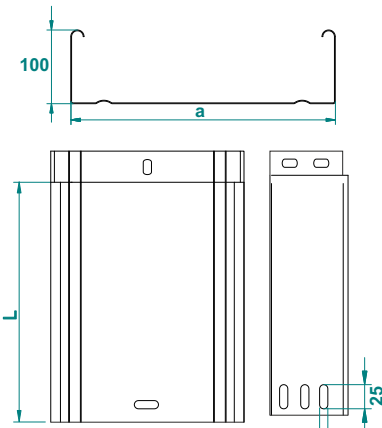
### Mounting Example



### Recommended Quantities of Bolt and Nut For Integrated Cable Tray Connections

Width	Quantity
100x100	5 Sets
200x100	5 Sets
250x100	5 Sets
300x100	5 Sets
400x100	7 Sets
500x100	7 Sets
600x100	7 Sets

### GDK H100



This diagram comply with IEC 61537 with connection to 1/5 of the span and the end span = 0,8x the span  
 $Q = \text{max. admissible load (kg/m)}$   
 $L = \text{support distance (m)}$   
 $f = \text{Deflection (mm) / Max. deflection} = L/100$   
 Safety co-efficient = 1.5

Width	Usable Cross-Section
100	98 cm <sup>2</sup>
150	148 cm <sup>2</sup>
200	198 cm <sup>2</sup>
300	298 cm <sup>2</sup>
400	398 cm <sup>2</sup>
500	498 cm <sup>2</sup>
600	598 cm <sup>2</sup>

Available finishes:  
 HDG-steel, hot-dip galv. to TS-EN ISO 1461:2011 (HDG)  
 SS- stainless steel AISI 304L and AISI 316L (SS)  
 EP- powder coating in a full range of colours (RAL)

Thickn. (ga) [mm]: 0.8 1.0 1.2 1.5

Recommended Quantities of Bolt and Nut For Integrated Cable Tray Connections								
W	H	40	50	60	75	80	85	100
Width Of Cable Tray	50	2 Sets	2 Sets	2 Sets	-	-	-	-
	100	3 Sets	3 Sets	3 Sets	5 Sets	5 Sets	5 Sets	5 Sets
	150	3 Sets	3 Sets	3 Sets	5 Sets	5 Sets	5 Sets	5 Sets
	200	3 Sets	3 Sets	3 Sets	5 Sets	5 Sets	5 Sets	5 Sets
	250	3 Sets	3 Sets	3 Sets	5 Sets	5 Sets	5 Sets	5 Sets
	300	3 Sets	3 Sets	3 Sets	5 Sets	5 Sets	5 Sets	5 Sets
	400	5 Sets	5 Sets	5 Sets	7 Sets	7 Sets	7 Sets	7 Sets
	500	5 Sets	5 Sets	5 Sets	7 Sets	7 Sets	7 Sets	7 Sets
600	5 Sets	5 Sets	5 Sets	7 Sets	7 Sets	7 Sets	7 Sets	

## Perforated Cable Trays - Return Flanges

Ağır Hizmet Kablo Kanalı - Перфорированные лотки



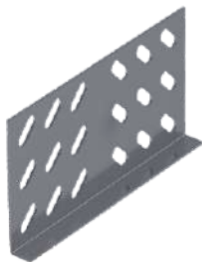
**Important!**  
Joining cable tray sections together only through the use of couplers 2 pcs for 1 Length  
To install cable tray - straight use Screw Sets CFS M6 or CFS M8

### Pre - Galvanised

APK ... H100					APK ... H100				
0.6mm					1.2mm				
CODE	Width a mm	Length L mm	KG 1 mt	pcs	CODE	Width a mm	Length L mm	KG 1 mt	pcs
APK 110 06 PG	100	3000	1.20	2	APK 110 12 PG	100	3000	2.38	2
APK 112 06 PG	125	3000	1.30	2	APK 112 12 PG	125	3000	2.58	2
APK 115 06 PG	150	3000	1.39	2	APK 115 12 PG	150	3000	2.76	2
APK 120 06 PG	200	3000	1.58	2	APK 120 12 PG	200	3000	3.14	2
0.8mm					APK 122 12 PG	225	3000	3.33	2
APK 110 08 PG	100	3000	1.60	2	APK 125 12 PG	250	3000	3.51	2
APK 112 08 PG	125	3000	1.72	2	APK 130 12 PG	300	3000	3.90	2
APK 115 08 PG	150	3000	1.85	2	APK 140 12 PG	400	3000	4.65	2
APK 120 08 PG	200	3000	2.10	2	APK 145 12 PG	450	3000	5.02	2
APK 122 08 PG	225	3000	2.22	2	APK 150 12 PG	500	3000	5.40	2
APK 125 08 PG	250	3000	2.35	2	APK 160 12 PG	600	3000	6.15	2
APK 130 08 PG	300	3000	2.60	2	1.5mm				
1.0mm					APK 110 15 PG	100	3000	2.96	2
APK 110 10 PG	100	3000	1.99	2	APK 112 15 PG	125	3000	3.20	2
APK 112 10 PG	125	3000	2.14	2	APK 115 15 PG	150	3000	3.43	2
APK 115 10 PG	150	3000	2.30	2	APK 120 15 PG	200	3000	3.90	2
APK 120 10 PG	200	3000	2.62	2	APK 122 15 PG	225	3000	4.14	2
APK 122 10 PG	225	3000	2.78	2	APK 125 15 PG	250	3000	4.38	2
APK 125 10 PG	250	3000	2.93	2	APK 130 15 PG	300	3000	4.85	2
APK 130 10 PG	300	3000	3.25	2	APK 140 15 PG	400	3000	5.78	2
APK 140 10 PG	400	3000	3.87	2	APK 145 15 PG	450	3000	6.26	2
					APK 150 15 PG	500	3000	6.73	2
					APK 160 15 PG	600	3000	7.67	2

## Straight Connector (Coupler)

Birleştirme Elemanı - Прямой соединитель



To Install one length ; use 2 pieces of KBE connector 8 sets of CFS bolts and nuts. (M6 or M8)

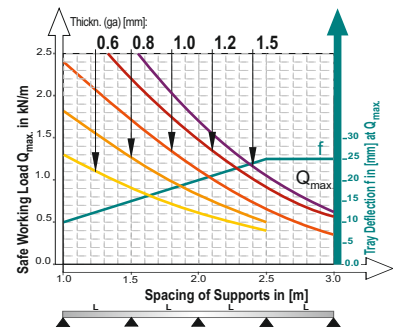
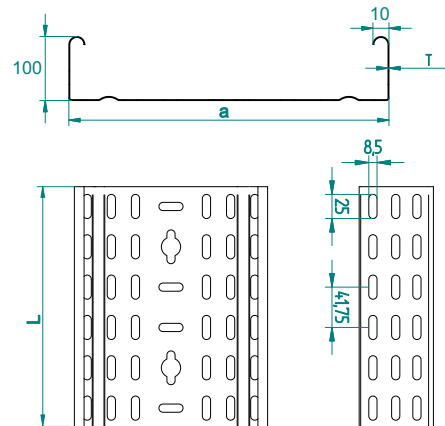
### Pre - Galvanised

KBE 2 ... H100					KBE 2 ... H100				
1.2mm					1.5mm				
CODE	Length L mm	KG 1 pc	pcs		CODE	Length L mm	KG 1 pc	pcs	
KBE 210 12 PG	175	0.14	100		KBE 210 15 PG	175	0.18	100	

### Electro - Galvanized

CFS					CFS M8				
M6					M8				
CODE	Size mm	Length L mm	KG 1Set	pcs	CODE	Size mm	Length L mm	KG 1Set	pcs
CFS M6 EG	M6	15	0.008	500	CFS M8 EG	M8	15	0.014	500

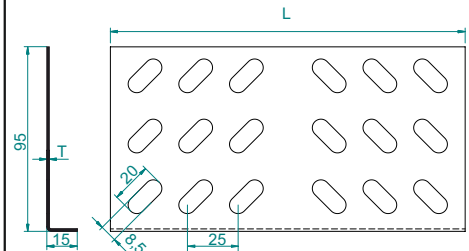
## APK H100



This diagram comply with IEC 61537 with connection to 1/5 of the span and the end span = 0,8x the span  
Q = max. admissible load (kg/m)  
L = support distance (m)  
f = Deflection (mm) / Max. deflection = L/100  
Safety co-efficient = 1.5

Width	Usable Cross-Section
100	98 cm <sup>2</sup>
150	148 cm <sup>2</sup>
200	198 cm <sup>2</sup>
300	298 cm <sup>2</sup>
400	398 cm <sup>2</sup>
500	498 cm <sup>2</sup>
600	598 cm <sup>2</sup>

## KBE2



M6x15 Round head squire neck bolt & M6 Flanged nut



### APPLICATIONS

Cable routing

### MATERIAL

Steel, strip-galv. acc. to the Sendzimir method to TS-EN 10346:2011 (PG)

Available finishes:

HDG-steel, hot-dip galv. to TS-EN ISO 1461:2011 (HDG)  
SS- stainless steel AISI 304L and AISI 316L (SS)  
EP- powder coating in a full range of colours (RAL)

Thickn. (ga) [mm]: **0.6 | 0.8 | 1.0 | 1.2 | 1.5**

## Cable Tray Non - Perforated Type

Deliksiz Tip Kablo Kanali - Сплошные лотки



### Pre - Galvanized

ADK ... H100		0.6mm		
CODE	Width a mm	Length L mm	KG 1 mt	pcs
ADK 110 06 PG	100	3000	1.50	2
ADK 112 06 PG	125	3000	1.62	2
ADK 115 06 PG	150	3000	1.74	2
ADK 120 06 PG	200	3000	1.97	2
		0.8mm		
ADK 110 08 PG	100	3000	2.00	2
ADK 112 08 PG	125	3000	2.15	2
ADK 115 08 PG	150	3000	2.31	2
ADK 120 08 PG	200	3000	2.62	2
ADK 122 08 PG	225	3000	2.78	2
ADK 125 08 PG	250	3000	2.94	2
ADK 130 08 PG	300	3000	3.25	2
		1.0mm		
ADK 110 10 PG	100	3000	2.49	2
ADK 112 10 PG	125	3000	2.68	2
ADK 115 10 PG	150	3000	2.88	2
ADK 120 10 PG	200	3000	3.27	2
ADK 122 10 PG	225	3000	3.47	2
ADK 125 10 PG	250	3000	3.66	2
ADK 130 10 PG	300	3000	4.06	2
ADK 140 10 PG	400	3000	4.84	2

**Important!**  
Joining cable tray sections together only through the use of couplers 2 pcs for 1 Length  
To install cable tray - straight use Screw Sets CFS M6 or CFS M8

ADK ... H100		1.2mm		
CODE	Width a mm	Length L mm	KG 1 mt	pcs
ADK 110 12 PG	100	3000	2.98	2
ADK 112 12 PG	125	3000	3.22	2
ADK 115 12 PG	150	3000	3.45	2
ADK 120 12 PG	200	3000	3.92	2
ADK 122 12 PG	225	3000	4.16	2
ADK 125 12 PG	250	3000	4.39	2
ADK 130 12 PG	300	3000	4.87	2
ADK 140 12 PG	400	3000	5.81	2
ADK 145 12 PG	450	3000	6.28	2
ADK 150 12 PG	500	3000	6.75	2
ADK 160 12 PG	600	3000	7.69	2
		1.5mm		
ADK 110 15 PG	50	3000	3.70	2
ADK 112 15 PG	75	3000	4.00	2
ADK 115 15 PG	100	3000	4.29	2
ADK 120 15 PG	125	3000	4.88	2
ADK 122 15 PG	150	3000	5.17	2
ADK 125 15 PG	200	3000	5.47	2
ADK 130 15 PG	225	3000	6.06	2
ADK 140 15 PG	250	3000	7.23	2
ADK 145 15 PG	300	3000	7.82	2
ADK 150 15 PG	400	3000	8.41	2
ADK 160 15 PG	450	3000	9.59	2

## Barrier Strip

Seperatör - Перегородка



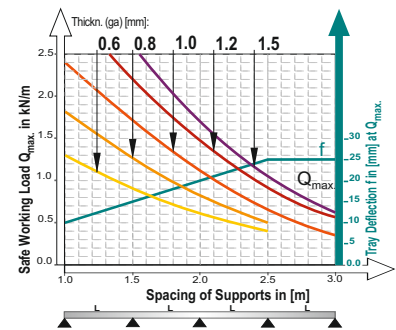
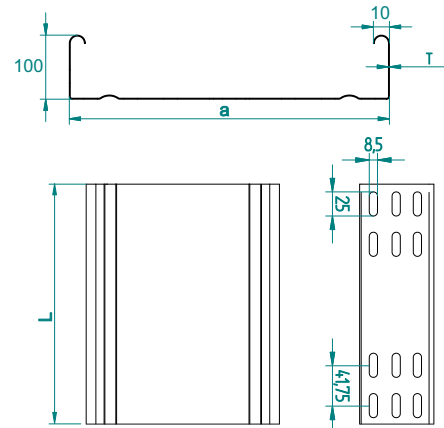
### Pre - Galvanized

SEP 1 ... H100		1.0mm	
CODE	Length L mm	KG 1m	pcs
SEP 110 10 PG	3000	0.90	1

**Important!**  
To install cable tray - bend use Screw Sets CFS M6 or CFS M8

SEP 1 ... H100		1.5mm	
CODE	Length L mm	KG 1m	pcs
SEP 110 15 PG	3000	1.35	1

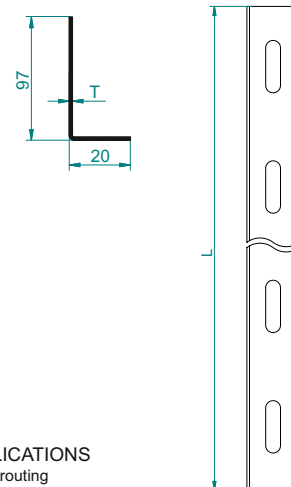
## ADK H100



This diagram comply with IEC 61537 with connection to 1/5 of the span and the end span = 0,8x the span  
Q = max. admissible load (kg/m)  
L = support distance (m)  
f = Deflection (mm) / Max. deflection = L/100  
Safely co-efficient = 1.5

Width	Usable Cross-Section
100	98 cm <sup>2</sup>
150	148 cm <sup>2</sup>
200	198 cm <sup>2</sup>
300	298 cm <sup>2</sup>
400	398 cm <sup>2</sup>
500	498 cm <sup>2</sup>
600	598 cm <sup>2</sup>

## SEP 1 H100



### APPLICATIONS

Cable routing

### MATERIAL

Steel, strip-galv. acc. to the Sendzimir method to TS-EN 10346:2011 (PG)

Available finishes:

- HDG-steel, hot-dip galv. to TS-EN ISO 1461:2011 (HDG)
- SS- stainless steel AISI 304L and AISI 316L (SS)
- EP- powder coating in a full range of colours (RAL)

Thickn. (ga) [mm]: **0.6 0.8 1.0 1.2 1.5**

## 90° Horizontal Bend of Cable Tray

90° Yatay Kanal Dönüş Elemanı - Угол горизонтальный 90°



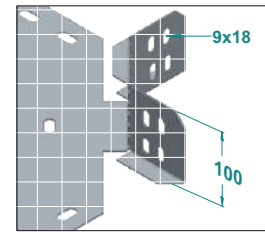
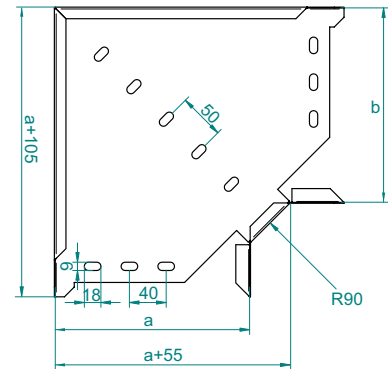
Pre - Galvanized

KA90 ... H100		1.0mm	
CODE	Width a=b mm	KG 1m	pcs
KA90 110 10 PG	100	0.62	1
KA90 112 10 PG	125	0.72	1
KA90 115 10 PG	150	0.83	1
KA90 120 10 PG	200	1.06	1
KA90 122 10 PG	225	1.19	1
KA90 125 10 PG	250	1.33	1
		1.2mm	
KA90 130 12 PG	300	2.06	1
KA90 140 12 PG	400	2.89	1
KA90 145 12 PG	450	3.36	1
KA90 150 12 PG	500	3.87	1
KA90 160 12 PG	600	4.99	1

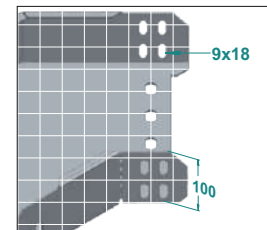
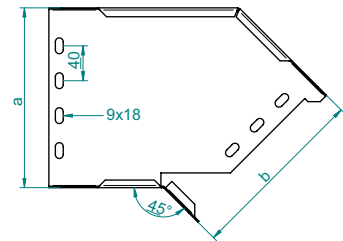
Important!  
To install cable tray - bend use Screw Sets CFS M6 or CFS M8

KA90 ... H100		1.5mm	
CODE	Width a=b mm	KG 1m	pcs
KA90 110 15 PG	100	0.93	1
KA90 112 15 PG	125	1.08	1
KA90 115 15 PG	150	2.24	1
KA90 120 15 PG	200	1.60	1
KA90 122 15 PG	225	1.79	1
KA90 125 15 PG	250	1.99	1
KA90 130 15 PG	300	2.58	1
KA90 140 15 PG	400	3.62	1
KA90 145 15 PG	450	4.20	1
KA90 150 15 PG	500	4.84	1
KA90 160 15 PG	600	6.23	1

## KA90 H100



## KA45 H100



## 45° Horizontal Bend of Cable Tray

45° Yatay Kanal Dönüş Elemanı - Угол горизонтальный 45°



Pre - Galvanized

KA45 ... H100		1.0mm	
CODE	Width a=b mm	KG 1m	pcs
KA45 110 10 PG	100	0.56	1
KA45 112 10 PG	125	0.70	1
KA45 115 10 PG	150	0.81	1
KA45 120 10 PG	200	1.04	1
KA45 122 10 PG	225	1.17	1
KA45 125 10 PG	250	1.30	1
		1.2mm	
KA45 130 12 PG	300	1.91	1
KA45 140 12 PG	400	2.72	1
KA45 145 12 PG	450	3.17	1
KA45 150 12 PG	500	3.66	1
KA45 160 12 PG	600	4.75	1

Important!  
To install cable tray - bend use Screw Sets CFS M6 or CFS M8

KA45 ... H100		1.5mm	
CODE	Width a=b mm	KG 1m	pcs
KA45 110 15 PG	100	0.83	1
KA45 112 15 PG	125	1.05	1
KA45 115 15 PG	150	1.21	1
KA45 120 15 PG	200	1.56	1
KA45 122 15 PG	225	1.75	1
KA45 125 15 PG	250	1.95	1
KA45 130 15 PG	300	2.39	1
KA45 140 15 PG	400	3.39	1
KA45 145 15 PG	450	3.96	1
KA45 150 15 PG	500	4.58	1
KA45 160 15 PG	600	5.94	1

APPLICATIONS  
Cable routing

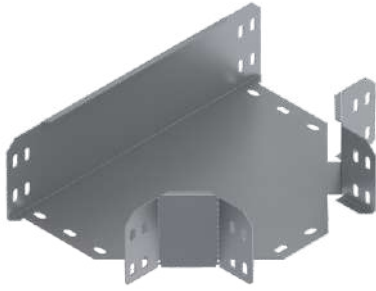
MATERIAL  
Steel, strip-galv. acc. to the Sendzimir method to TS-EN 10346:2011 (PG)

Available finishes:  
HDG-steel, hot-dip galv. to TS-EN ISO 1461:2011 (HDG)  
SS- stainless steel AISI 304L and AISI 316L (SS)  
EP- powder coating in a full range of colours (RAL)

Thickn. (ga) [mm]: **0.6 | 0.8 | 1.0 | 1.2 | 1.5**

## Tee Horizontal Bend of Cable Tray

"T" Yatay Kanal Dönüş Elemanı - T-отвод горизонтальный



Pre - Galvanized

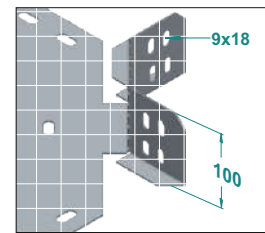
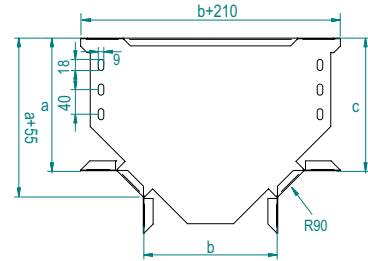
KAT ... H100		1.0mm	
CODE	Width a=b=c mm	kg 1pc	pcs
KAT 110 10 PG	100	0.85	1
KAT 112 10 PG	125	0.97	1
KAT 115 10 PG	150	1.09	1
KAT 120 10 PG	200	1.09	1
KAT 122 10 PG	225	1.36	1
KAT 125 10 PG	250	1.66	1
		1.2mm	
KAT 130 12 PG	300	2.61	1
KAT 140 12 PG	400	3.55	1
KAT 145 12 PG	450	4.07	1
KAT 150 12 PG	500	4.63	1
KAT 160 12 PG	600	5.85	1

Important!

To install cable tray - bend use Screw Sets  
CFS M6 or CFS M8

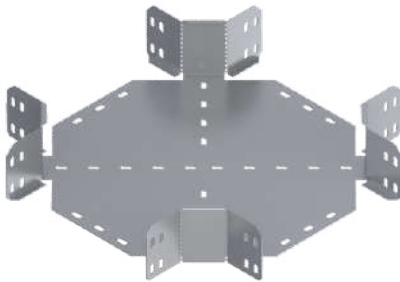
KAT ... H100		1.5mm	
CODE	Width a=b=c mm	kg 1pc	pcs
KAT 110 15 PG	100	1.28	1
KAT 112 15 PG	125	1.45	1
KAT 115 15 PG	150	1.64	1
KAT 120 15 PG	200	2.05	1
KAT 122 15 PG	225	2.27	1
KAT 125 15 PG	250	2.50	1
KAT 130 15 PG	300	3.27	1
KAT 140 15 PG	400	4.44	1
KAT 145 15 PG	450	5.09	1
KAT 150 15 PG	500	5.78	1
KAT 160 15 PG	600	7.31	1

## KAT H100



## Cross Bend of Cable Tray

4'ü Bağlantı Elemanı- Крестовина



Pre - Galvanized

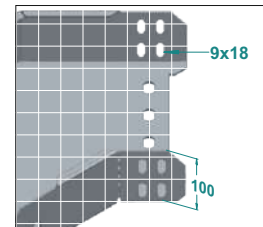
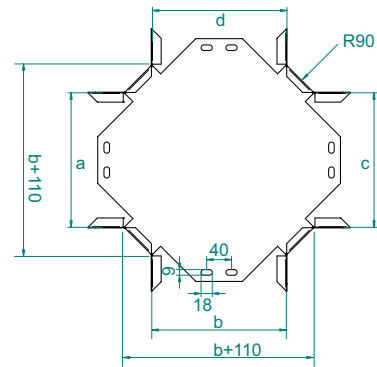
KAD ... H100		1.0mm	
CODE	Width a=b=c=d mm	kg 1pc	pcs
KAD 110 10 PG	100	1.17	1
KAD 112 10 PG	125	1.30	1
KAD 115 10 PG	150	1.44	1
KAD 120 10 PG	200	1.75	1
KAD 122 10 PG	225	1.91	1
KAD 125 10 PG	250	2.08	1
		1.2mm	
KAD 130 12 PG	300	3.32	1
KAD 140 12 PG	400	4.35	1
KAD 145 12 PG	450	4.93	1
KAD 150 12 PG	500	5.53	1
KAD 160 12 PG	600	6.85	1

Important!

To install cable tray - bend use Screw Sets  
CFS M6 or CFS M8

KAD ... H100		1.5mm	
CODE	Width a=b=c=d mm	kg 1pc	pcs
KAD 110 15 PG	100	1.75	1
KAD 112 15 PG	125	1.95	1
KAD 115 15 PG	150	2.16	1
KAD 120 15 PG	200	2.62	1
KAD 122 15 PG	225	2.87	1
KAD 125 15 PG	250	3.13	1
KAD 130 15 PG	300	4.14	1
KAD 140 15 PG	400	5.44	1
KAD 145 15 PG	450	6.16	1
KAD 150 15 PG	500	6.92	1
KAD 160 15 PG	600	8.57	1

## KAD H100



### APPLICATIONS

Cable routing

### MATERIAL

Steel, strip-galv. acc. to the Sendzimir method  
to TS-EN 10346:2011 (PG)

Available finishes:

HDG-steel, hot-dip galv. to TS-EN ISO 1461:2011 (HDG)  
SS- stainless steel AISI 304L and AISI 316L (SS)  
EP- powder coating in a full range of colours (RAL)

Thickn. (ga) [mm]:

**0.6 0.8 1.0 1.2 1.5**

## Vertical Outside Bend of Cable Tray (Flexible)

Kanal Dış Bükü - Арка универсальная, внешний изгиб



Pre - Galvanized

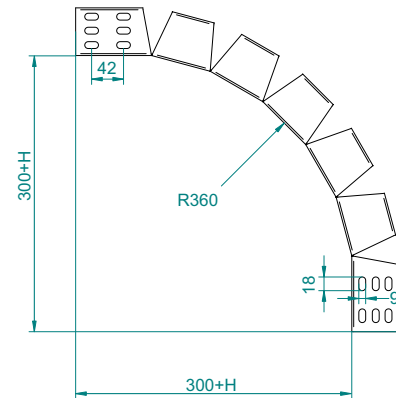
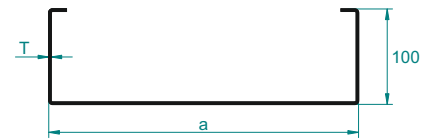
KADB ... H100		1.0mm		kg	pcs
CODE	Width a mm	Length L mm	kg 1m	kg	pcs
KADB 110 10 PG	100	600	1.17	1	
KADB 112 10 PG	125	600	1.26	1	
KADB 115 10 PG	150	600	1.35	1	
KADB 120 10 PG	200	600	1.54	1	
KADB 122 10 PG	225	600	1.63	1	
KADB 125 10 PG	250	600	1.72	1	
KADB ... H100		1.2mm		kg	pcs
CODE	Width a mm	Length L mm	kg 1m	kg	pcs
KADB 130 12 PG	300	600	2.28	1	
KADB 140 12 PG	400	600	3.27	1	
KADB 145 12 PG	450	600	3.53	1	
KADB 150 12 PG	500	600	3.80	1	
KADB 160 12 PG	600	600	4.33	1	

Important!

To install vertical bend - use 2 pieces of KBE con. and 4 sets of CFS bolts and nuts ( M6 or M8 ).

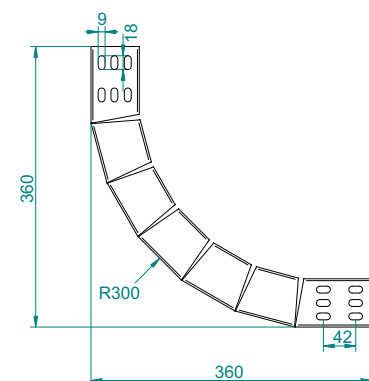
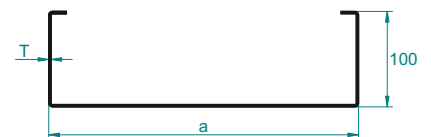
KADB ... H100		1.5mm		kg	pcs
CODE	Width a mm	Length L mm	kg 1m	kg	pcs
KADB 110 15 PG	100	600	1.74	1	
KADB 112 15 PG	125	600	1.88	1	
KADB 115 15 PG	150	600	2.01	1	
KADB 120 15 PG	200	600	2.29	1	
KADB 122 15 PG	225	600	2.43	1	
KADB 125 15 PG	250	600	2.57	1	
KADB 130 15 PG	300	600	2.84	1	
KADB 140 15 PG	400	600	4.07	1	
KADB 145 15 PG	450	600	4.40	1	
KADB 150 15 PG	500	600	4.73	1	
KADB 160 15 PG	600	600	5.39	1	

### KADB H100



KADB and KAIB are the same items, shipped flat. To install - Bend manually during application. in Flat Length = 600mm

### KAIB H100



KADB and KAIB are the same items, shipped flat. To install - Bend manually during application. in Flat Length = 600mm

### APPLICATIONS

Cable routing

### MATERIAL

Steel, strip-galv. acc. to the Sendzimir method to TS-EN 10346:2011 (PG)

Available finishes:

HDG-steel, hot-dip galv. to TS-EN ISO 1461:2011 (HDG)  
SS- stainless steel AISI 304L and AISI 316L (SS)  
EP- powder coating in a full range of colours (RAL)

Thickn. (ga) [mm]: **0.6 | 0.8 | 1.0 | 1.2 | 1.5**

## Vertical Inside Bend of Cable Tray (Flexible)

Kanal İç Bükü - Арка универсальная, внутренний изгиб



Pre - Galvanized

KAIB ... H100		1.0mm		kg	pcs
CODE	Width a mm	Length L mm	kg 1m	kg	pcs
KAIB 110 10 PG	100	600	1.17	1	
KAIB 112 10 PG	125	600	1.26	1	
KAIB 115 10 PG	150	600	1.35	1	
KAIB 120 10 PG	200	600	1.54	1	
KAIB 122 10 PG	225	600	1.63	1	
KAIB 125 10 PG	250	600	1.72	1	
KAIB ... H100		1.2mm		kg	pcs
CODE	Width a mm	Length L mm	kg 1m	kg	pcs
KAIB 130 12 PG	300	600	2.28	1	
KAIB 140 12 PG	400	600	3.27	1	
KAIB 145 12 PG	450	600	3.53	1	
KAIB 150 12 PG	500	600	3.80	1	
KAIB 160 12 PG	600	600	4.33	1	

Important!

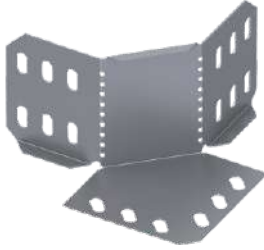
To install vertical bend - use 2 pieces of KBE con. and 4 sets of CFS bolts and nuts ( M6 or M8 ).

KAIB ... H100		1.5mm		kg	pcs
CODE	Width a mm	Length L mm	kg 1m	kg	pcs
KAIB 110 15 PG	100	600	1.74	1	
KAIB 112 15 PG	125	600	1.88	1	
KAIB 115 15 PG	150	600	2.01	1	
KAIB 120 15 PG	200	600	2.29	1	
KAIB 122 15 PG	225	600	2.43	1	
KAIB 125 15 PG	250	600	2.57	1	
KAIB 130 15 PG	300	600	2.84	1	
KAIB 140 15 PG	400	600	4.07	1	
KAIB 145 15 PG	450	600	4.40	1	
KAIB 150 15 PG	500	600	4.73	1	
KAIB 160 15 PG	600	600	5.39	1	



## Add on 90° Horizontal Corner Bend

90° Köşe yatay kanal dönüs eki - Угол 90° врезной



Pre - Galvanized

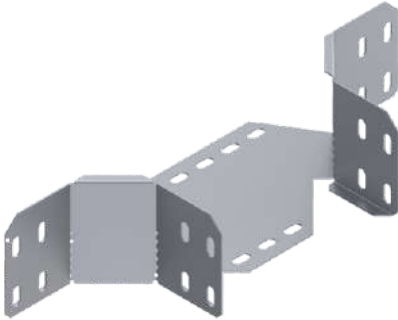
Important!  
To install cable tray - bend use Screw Sets  
CFS M6 or CFS M8

KA90E ... H100		1.0mm		
CODE	a mm	Radius R mm	KG 1pc	pcs
KA90E 1 10 PG	55	90	0.20	1
KA90ER1 10 10 PG	90	150	0.30	1
KA90ER2 10 10 PG	180	300	0.59	1

KA90E ... H100		1.5mm		
CODE	a mm	Radius R mm	KG 1pc	pcs
KA90E 1 15 PG	55	90	0.31	1
KA90ER1 10 15 PG	90	150	0.45	1
KA90ER2 10 15 PG	180	300	0.88	1

## Add on tee horizontal bend

T yatay kanal dönüş eki - T-отвод горизонтальный врезной



Pre - Galvanized

Important!  
To install cable tray - bend use Screw Sets  
CFS M6 or CFS M8

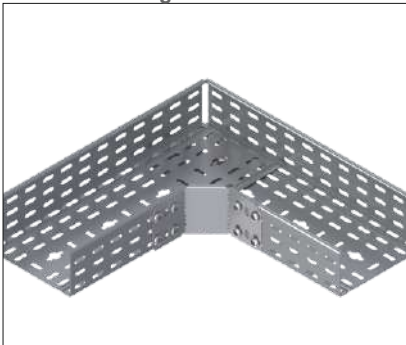
KATE... H100		1.0mm		
CODE	Width a mm	Radius R mm	KG 1m	pcs
KATE 110 10 PG	100	90	0.51	1
KATE 112 10 PG	125	90	0.54	1
KATE 115 10 PG	150	90	0.57	1
KATE 120 10 PG	200	90	0.63	1
KATE 122 10 PG	225	90	0.66	1
KATE 125 10 PG	250	90	0.69	1

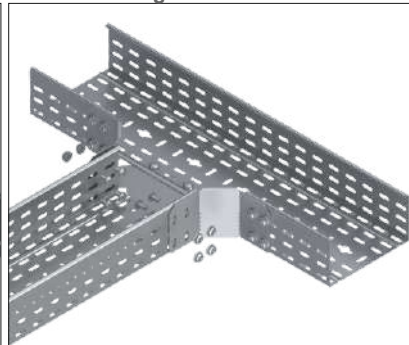
KATE... H100		1.2mm		
CODE	Width a mm	Radius R mm	KG 1m	pcs
KATE 130 12 PG	300	90	0.91	1
KATE 140 12 PG	400	90	1.05	1
KATE 145 12 PG	450	90	1.13	1
KATE 150 12 PG	500	90	1.20	1
KATE 160 12 PG	600	90	1.35	1

KATER1... H100		1.5mm		
CODE	Width a mm	Radius R mm	KG 1m	pcs
KATER1 110 15 PG	100	150	1.31	1
KATER1 112 15 PG	125	150	1.38	1
KATER1 115 15 PG	150	150	1.45	1
KATER1 120 15 PG	200	150	1.59	1
KATER1 122 15 PG	225	150	1.66	1
KATER1 125 15 PG	250	150	1.72	1
KATER1 130 15 PG	300	150	1.86	1
KATER1 140 15 PG	400	150	2.14	1
KATER1 145 15 PG	450	150	2.27	1
KATER1 150 15 PG	500	150	2.41	1
KATER1 160 15 PG	600	150	2.68	1

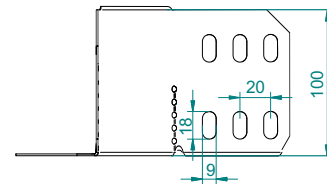
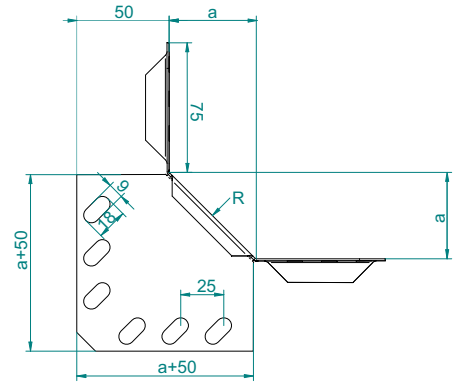
### KA90E Mounting



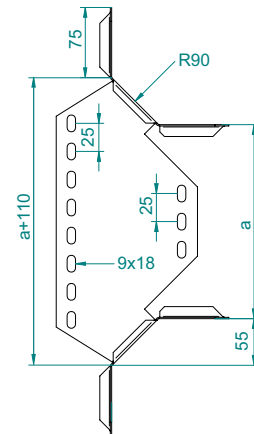
### KATE Mounting



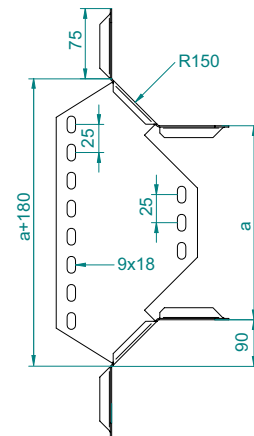
### KA90E H100



### KATE



### KATER1



### APPLICATIONS

Cable routing

### MATERIAL

Steel, strip-galv. acc. to the Sendzimir method to TS-EN 10346:2011 (PG)

Available finishes:

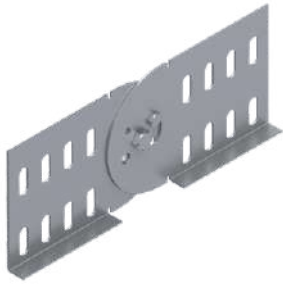
HDG-steel, hot-dip galv. to TS-EN ISO 1461:2011 (HDG)  
SS- stainless steel AISI 304L and AISI 316L (SS)  
EP- powder coating in a full range of colours (RAL)

Thickn. (ga) [mm]:

**0.6 0.8 1.0 1.2 1.5**

## Adjustable Vertical Connector (2 Pcs)

*Dikey Seviye Degistirme Eki (2 Adet) - Шарнирный соединитель для лотка*

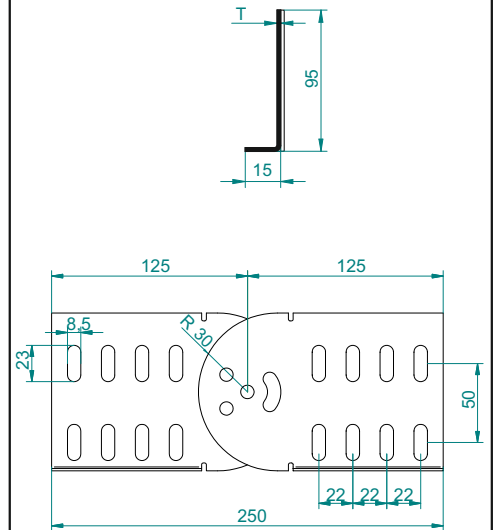


Pre - Galvanized

Important!  
To install cable tray - bend use Screw Sets  
CFS M6 or CFS M8

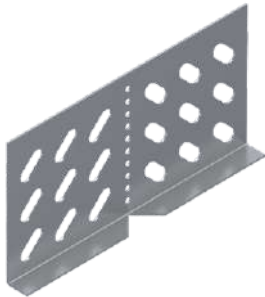
BDD 2 ... H100				BDD 2 ... H100			
1.2mm				1.5mm			
CODE	Length L mm	KG 1m	pcs	CODE	Length L mm	KG 1m	pcs
BDD 210 12 PG	250	0.26	1	BDD 210 15 PG	250	0.33	1

### BDD 2 H100



## Adjustable Horizontal Connector

*Yatay Seviye Degistirme Eki - Угловой соединитель*

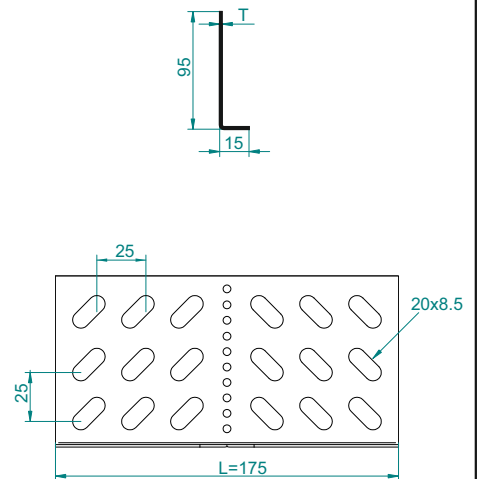


Pre - Galvanized

Important!  
To install cable tray - bend use Screw Sets  
CFS M6 or CFS M8

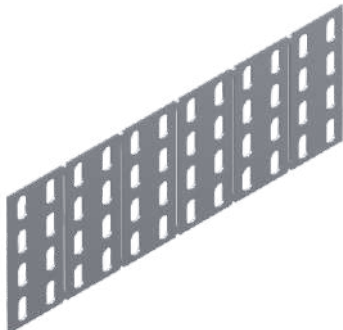
BYD 2 ... H100				BYD 2 ... H100			
1.2mm				1.5mm			
CODE	Length L mm	KG 1m	pcs	CODE	Length L mm	KG 1m	pcs
BYD 210 12 PG	175	0.14	1	BYD 210 15 PG	175	0.18	1

### BYD 2 H100



## Adjustable horizontal connector - Long Type

*Yatay seviye degistirme eki uzun tip - Угловой соединитель - длинный*

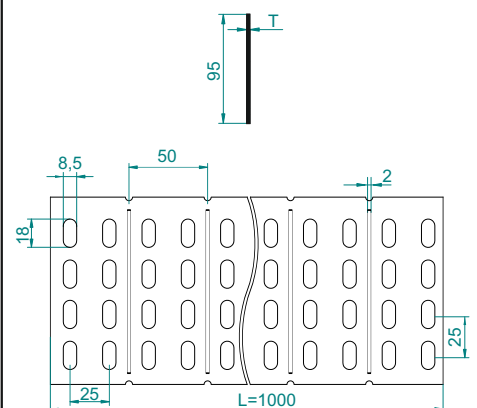


Pre - Galvanized

Important!  
To install cable tray - bend use Screw Sets  
CFS M6 or CFS M8

BYDU 1 ... H100				BYDU 1 ... H100			
1.2mm				1.5mm			
CODE	Length L mm	KG 1m	pcs	CODE	Length L mm	KG 1m	pcs
BYDU 110 12 PG	1000	0.71	1	BYDU 110 15 PG	1000	0.89	1

### BYDU 1



### APPLICATIONS

Cable routing

### MATERIAL

Steel, strip-galv. acc. to the Sendzimir method to TS-EN 10346:2011 (PG)

Available finishes:

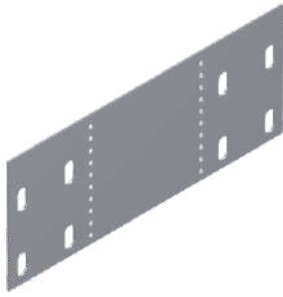
HDG-steel, hot-dip galv. to TS-EN ISO 1461:2011 (HDG)  
SS- stainless steel AISI 304L and AISI 316L (SS)  
EP- powder coating in a full range of colours (RAL)

Thickn. (ga) [mm]:

**0.6 | 0.8 | 1.0 | 1.2 | 1.5**

## Reducer Connector - Single Type

Redüksiyon Eki (Tek) - Редукционный переходник



Pre - Galvanized

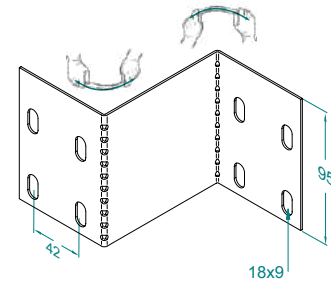
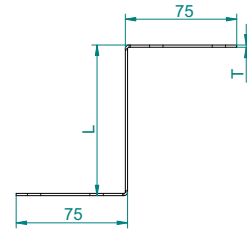
Important!

To install cable tray - bend use Screw Sets CFS M6 or CFS M8

RT ... H100		1.5mm	
CODE	Length L mm	KG 1m	pcs
RT 10 25 15 PG	25	0.15	1
RT 10 50 15 PG	50	0.18	1
RT 10 75 15 PG	75	0.20	1
RT 10 100 15 PG	100	0.22	1
RT 10 125 15 PG	125	0.24	1
RT 10 150 15 PG	150	0.26	1
RT 10 175 15 PG	175	0.29	1
RT 10 200 15 PG	200	0.31	1
RT 10 225 15 PG	225	0.33	1
RT 10 250 15 PG	250	0.35	1
RT 10 275 15 PG	275	0.38	1
RT 10 300 15 PG	300	0.40	1

RT ... H100		1.5mm	
CODE	Length L mm	KG 1m	pcs
RT 10 325 15 PG	325	0.42	1
RT 10 350 15 PG	350	0.44	1
RT 10 375 15 PG	375	0.46	1
RT 10 400 15 PG	400	0.49	1
RT 10 425 15 PG	425	0.51	1
RT 10 450 15 PG	450	0.53	1
RT 10 475 15 PG	475	0.55	1
RT 10 500 15 PG	500	0.57	1
RT 10 525 15 PG	525	0.60	1
RT 10 550 15 PG	550	0.62	1
RT 10 575 15 PG	575	0.64	1

## RT H100



## Stop End (Blind End)

Sonlandırma - Зарлушка



Pre - Galvanized

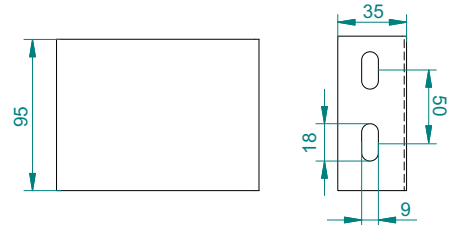
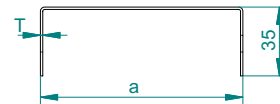
Important!

To install cable tray - bend use Screw Sets CFS M6 or CFS M8

SON ... H100		1.2mm	
CODE	Width a mm	KG 1m	pcs
SON 110 12 PG	100	1.98	1
SON 112 12 PG	125	1.98	1
SON 115 12 PG	150	2.28	1
SON 120 12 PG	200	2.28	1
SON 122 12 PG	225	2.96	1
SON 125 12 PG	250	2.96	1
SON 130 12 PG	300	3.65	1
SON 140 12 PG	400	3.65	1
SON 145 12 PG	450	2.28	1
SON 150 12 PG	500	2.96	1
SON 160 12 PG	600	2.96	1

SON ... H100		1.5mm	
CODE	Width a mm	KG 1m	pcs
SON 110 15 PG	100	1.98	1
SON 112 15 PG	125	1.98	1
SON 115 15 PG	150	2.28	1
SON 120 15 PG	200	2.28	1
SON 122 15 PG	225	2.96	1
SON 125 15 PG	250	2.96	1
SON 130 15 PG	300	3.65	1
SON 140 15 PG	400	3.65	1
SON 145 15 PG	450	2.28	1
SON 150 15 PG	500	2.96	1
SON 160 15 PG	600	2.96	1

## SON H100



## APPLICATIONS

Cable routing

## MATERIAL

Steel, strip-galv. acc. to the Sendzimir method to TS-EN 10346:2011 (PG)

Available finishes:

HDG-steel, hot-dip galv. to TS-EN ISO 1461:2011 (HDG)  
 SS- stainless steel AISI 304L and AISI 316L (SS)  
 EP- powder coating in a full range of colours (RAL)

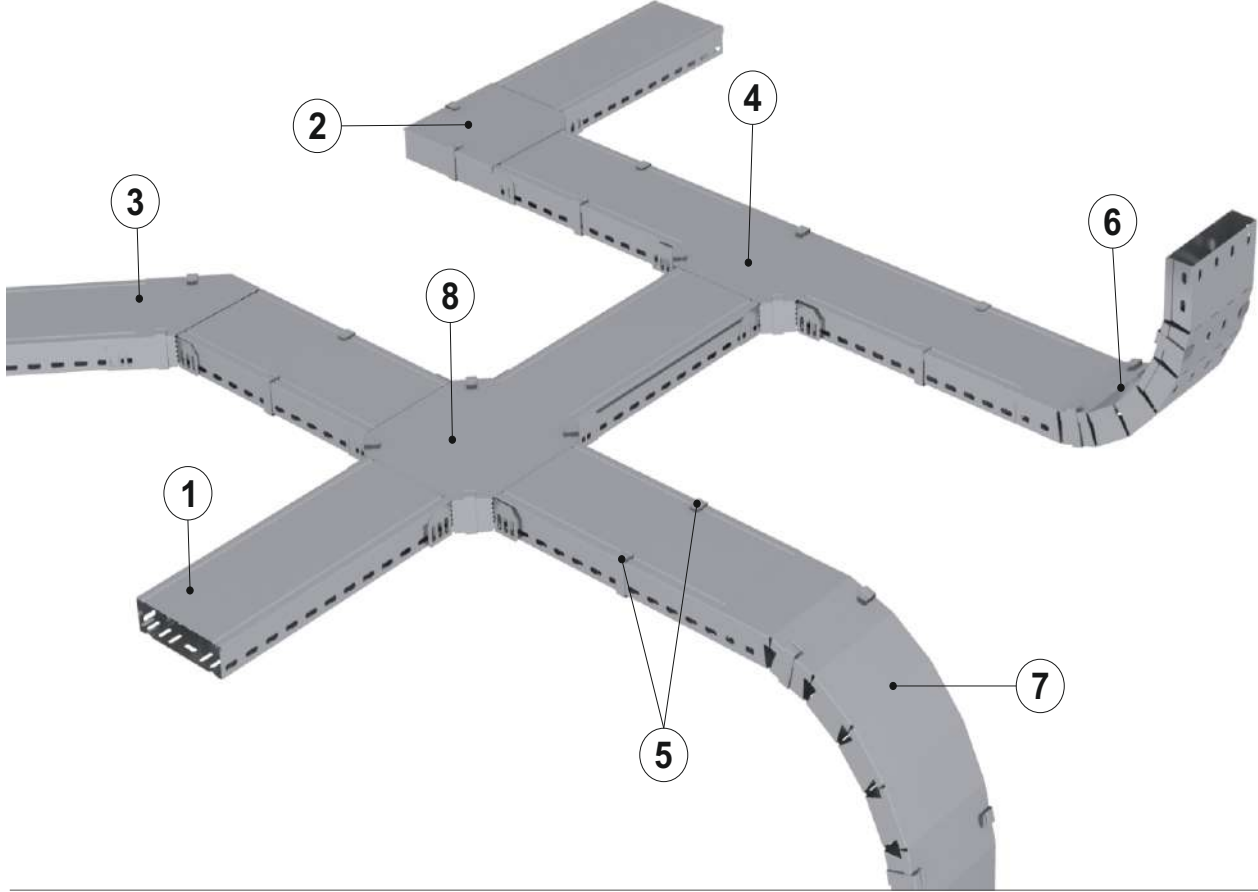
Thickn. (ga) [mm]:

**0.6 0.8 1.0 1.2 1.5**

## Covers of Cable Trays and Accessories

### Kanal ve Aksesuar Kapakları

### Крышка лотков и аксессуаров



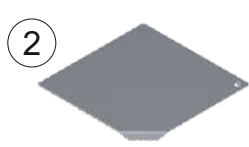
#### Accessories

**Cover of Cable Tray**  
Kablo Kanalı Kapağı



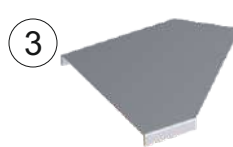
KK

**90° Hor. bend cover**  
90° Yat. dönüş kapağı



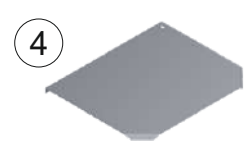
KK90

**45° Hor. bend cover**  
45° Yat. dönüş kapağı



KK45

**Tee bend cover**  
T dönüş kapağı



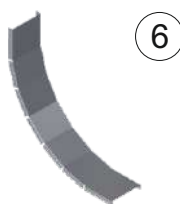
KKT

**Cover clamp**  
Kapak tutucu



KT/1

**Ver. inside bend cover**  
İç bükey dönüş kapağı



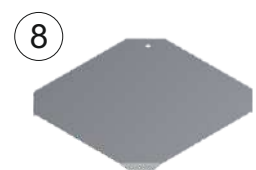
KKIB

**Ver. outside bend cover**  
Dış bükey dönüş kapağı



KKDB

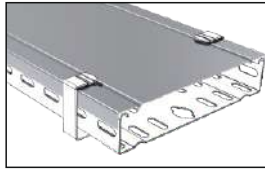
**Cross bend cover**  
Dörtlü dönüş kapağı



KKD

## Cover of Cable Tray / Ladder

Kablo Kanalı ve Merdiven Kapağı- Крышка лотков и кабельростов



### Important!

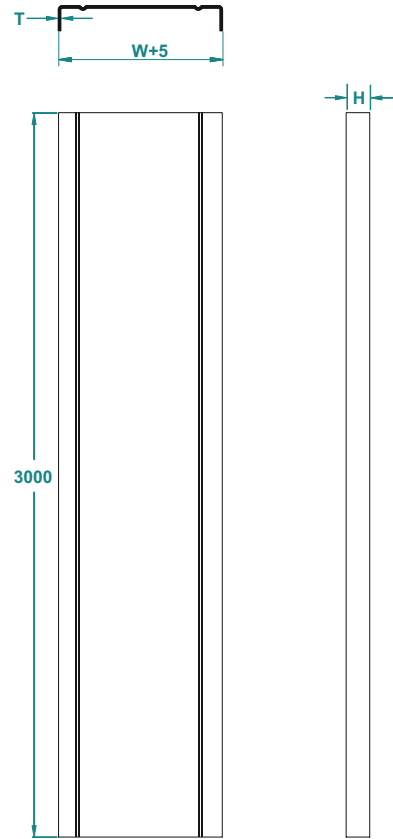
For fixing cable tray cover sections use 4 pcs of KT/1 cover clamps for 1 length

### Pre - Galvanised

KK ...		0.6mm			
CODE	Width W mm	Length L mm	KG 1 mt	pcs	
KK 05 06 PG	50	3000	0.38	2	
KK 07 06 PG	75	3000	0.50	2	
KK 10 06 PG	100	3000	0.62	2	
KK 12 06 PG	125	3000	0.74	2	
KK 15 06 PG	150	3000	0.85	2	
KK 20 06 PG	200	3000	1.09	2	
		0.8mm			
KK 05 08 PG	50	3000	0.51	2	
KK 07 08 PG	75	3000	0.66	2	
KK 10 08 PG	100	3000	0.82	2	
KK 12 08 PG	125	3000	0.98	2	
KK 15 08 PG	150	3000	1.14	2	
KK 20 08 PG	200	3000	1.45	2	
KK 22 08 PG	225	3000	1.61	2	
KK 25 08 PG	250	3000	1.76	2	
KK 30 08 PG	300	3000	2.08	2	
		1.0mm			
KK 05 10 PG	50	3000	0.63	2	
KK 07 10 PG	75	3000	0.83	2	
KK 10 10 PG	100	3000	1.03	2	
KK 12 10 PG	125	3000	1.22	2	
KK 15 10 PG	150	3000	1.42	2	
KK 20 10 PG	200	3000	1.81	2	
KK 22 10 PG	225	3000	2.01	2	
KK 25 10 PG	250	3000	2.20	2	
KK 30 10 PG	300	3000	2.60	2	
KK 40 10 PG	400	3000	3.38	2	

KK ...		1.2mm			
CODE	Width W mm	Length L mm	KG 1 mt	pcs	
KK 05 12 PG	50	3000	0.76	2	
KK 07 12 PG	75	3000	0.99	2	
KK 10 12 PG	100	3000	1.23	2	
KK 12 12 PG	125	3000	1.47	2	
KK 15 12 PG	150	3000	1.70	2	
KK 20 12 PG	200	3000	2.17	2	
KK 22 12 PG	225	3000	2.41	2	
KK 25 12 PG	250	3000	2.64	2	
KK 30 12 PG	300	3000	3.11	2	
KK 40 12 PG	400	3000	4.06	2	
KK 45 12 PG	450	3000	4.53	2	
KK 50 12 PG	500	3000	5.00	2	
KK 60 12 PG	600	3000	5.94	2	
		1.5mm			
KK 05 15 PG	50	3000	0.95	2	
KK 07 15 PG	75	3000	1.24	2	
KK 10 15 PG	100	3000	1.54	2	
KK 12 15 PG	125	3000	1.83	2	
KK 15 15 PG	150	3000	2.12	2	
KK 20 15 PG	200	3000	2.71	2	
KK 22 15 PG	225	3000	3.01	2	
KK 25 15 PG	250	3000	3.30	2	
KK 30 15 PG	300	3000	3.89	2	
KK 40 15 PG	400	3000	5.07	2	
KK 45 15 PG	450	3000	5.66	2	
KK 50 15 PG	500	3000	6.25	2	
KK 60 15 PG	600	3000	7.42	2	

KK



Standard



Reinforced

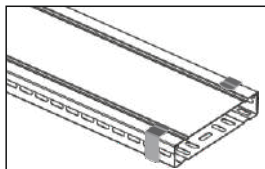
## Cover Clamp

Kapak Tutucusu KT/1 Tipi - Фиксатор крышки боковой, KT/1



### Important!

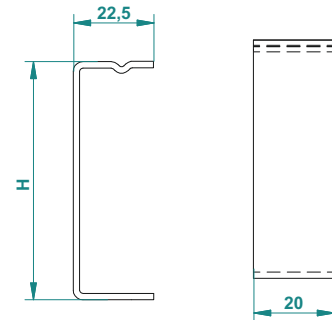
Use 4 pcs of KT/1 cover clamps for 1 length



### Pre - Galvanised

KT/1 ...		1.2mm			
CODE	H mm	KG 1 pc	pcs		
KT/1 40 PG	40	0.031	100		
KT/1 50 PG	50	0.034	100		
KT/1 60 PG	60	0.037	100		
KT/1 80 PG	80	0.034	100		
KT/1 100 PG	100	0.037	100		

KT/1



### APPLICATIONS

Cable routing

### MATERIAL

Steel, strip-galv. acc. to the Sendzimir method to TS-EN 10346:2011 (PG)

Available finishes:

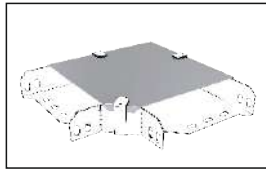
HDG-steel, hot-dip galv. to TS-EN ISO 1461:2011 (HDG)  
SS- stainless steel AISI 304L and AISI 316L (SS)  
EP- powder coating in a full range of colours (RAL)

Thickn. (ga) [mm]:

0.6 0.8 1.0 1.2 1.5

## Cover of 90° Horizontal Bend of Cable Tray

90° Kanal Yatay Dönüş Karağı - Крышка на угол горизонтальный 90°



### Important!

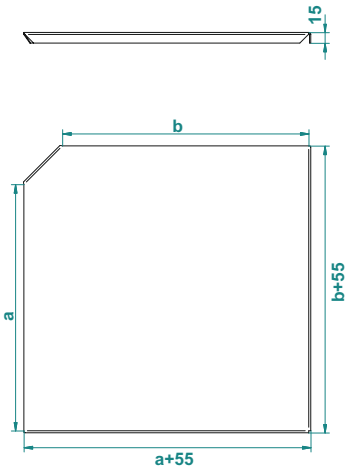
For fixing cable tray cover bend sections use 3 pcs of KT/1 cover clamps. Cover clamps fixing - side sliding.

### Pre - Galvanised

KK90 ...		1.0mm	
CODE	Width a=b mm	KG 1 pc	pcs
KK90 05 10 PG	50	0.10	1
KK90 07 10 PG	75	0.15	1
KK90 10 10 PG	100	0.21	1
KK90 12 10 PG	125	0.28	1
KK90 15 10 PG	150	0.36	1
KK90 20 10 PG	200	0.55	1
KK90 22 10 PG	225	0.66	1
KK90 25 10 PG	250	0.78	1
KK90 ...		1.2mm	
CODE	Width a=b mm	KG 1 pc	pcs
KK90 30 12 PG	300	1.25	1
KK90 40 12 PG	400	2.03	1
KK90 45 12 PG	450	2.49	1
KK90 50 12 PG	500	3.00	1
KK90 60 12 PG	600	4.16	1

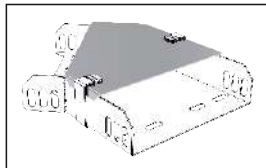
KK90 ...		1.5mm	
CODE	Width a=b mm	KG 1 pc	pcs
KK90 05 15 PG	50	0.15	1
KK90 07 15 PG	75	0.23	1
KK90 10 15 PG	100	0.32	1
KK90 12 15 PG	125	0.42	1
KK90 15 15 PG	150	0.54	1
KK90 20 15 PG	200	0.82	1
KK90 22 15 PG	225	0.99	1
KK90 25 15 PG	250	1.16	1
KK90 30 15 PG	300	1.56	1
KK90 40 15 PG	400	2.54	1
KK90 45 15 PG	450	3.12	1
KK90 50 15 PG	500	3.75	1
KK90 60 15 PG	600	5.20	1

## KK90



## Cover of 45° Horizontal Bend of Cable Tray

45° Kanal Yatay Dönüş Karağı - Крышка на угол горизонтальный 45°



### Important!

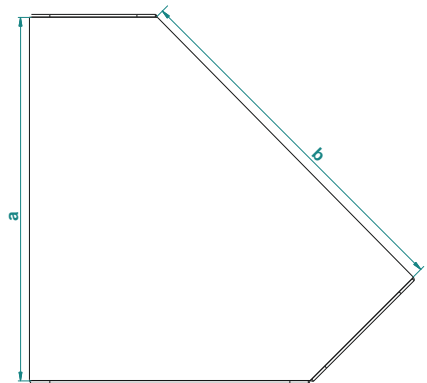
For fixing cable tray cover bend sections use 2 pcs of KT/1 cover clamps. Cover clamps fixing - side sliding.

### Pre - Galvanized

KK45 ...		1.0mm	
CODE	Width a=b mm	KG 1 pc	pcs
KK45 05 10 PG	50	0.08	1
KK45 07 10 PG	75	0.11	1
KK45 10 10 PG	100	0.16	1
KK45 12 10 PG	125	0.21	1
KK45 15 10 PG	150	0.27	1
KK45 20 10 PG	200	0.41	1
KK45 22 10 PG	225	0.49	1
KK45 25 10 PG	250	0.58	1
KK45 ...		1.2mm	
CODE	Width a=b mm	KG 1 pc	pcs
KK45 30 12 PG	300	0.92	1
KK45 40 12 PG	400	1.49	1
KK45 45 12 PG	450	1.82	1
KK45 50 12 PG	500	2.19	1
KK45 60 12 PG	600	3.02	1

KK45 ...		1.5mm	
CODE	Width a=b mm	KG 1 pc	pcs
KK45 05 15 PG	50	0.11	1
KK45 07 15 PG	75	0.17	1
KK45 10 15 PG	100	0.24	1
KK45 12 15 PG	125	0.32	1
KK45 15 15 PG	150	0.40	1
KK45 20 15 PG	200	0.61	1
KK45 22 15 PG	225	0.73	1
KK45 25 15 PG	250	0.86	1
KK45 30 15 PG	300	1.15	1
KK45 40 15 PG	400	1.86	1
KK45 45 15 PG	450	2.28	1
KK45 50 15 PG	500	2.74	1
KK45 60 15 PG	600	3.78	1

## KK45



### APPLICATIONS

Cable routing

### MATERIAL

Steel, strip-galv. acc. to the Sendzimir method to TS-EN 10346:2011 (PG)

Available finishes:

HDG-steel, hot-dip galv. to TS-EN ISO 1461:2011 (HDG)

SS- stainless steel AISI 304L and AISI 316L (SS)

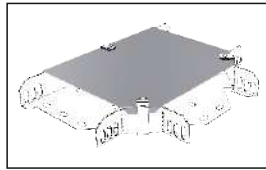
EP- powder coating in a full range of colours (RAL)

Thickn. (ga) [mm]:

**0.6 0.8 1.0 1.2 1.5**

## Cover of Horizontal Bend of Cable Tray

"T" Kanal Yatay Dönüş Karağı - Крышка T-отвода горизонтального



### Important!

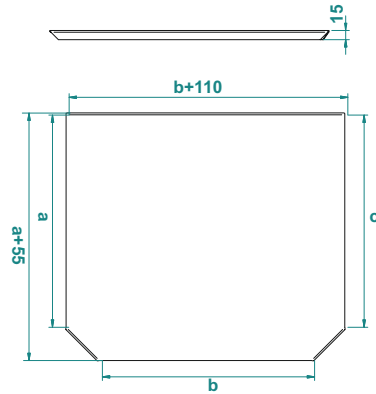
For fixing cable tray cover bend sections use 3 pcs of KT/1 cover clamps. Cover clamps fixing - side sliding.

Pre - Galvanised

KKT ...		1.0mm	
CODE	Width a=b=c mm	KG 1 pc	pcs
KKT 05 10 PG	50	0.13	1
KKT 07 10 PG	75	0.19	1
KKT 10 10 PG	100	0.26	1
KKT 12 10 PG	125	0.33	1
KKT 15 10 PG	150	0.42	1
KKT 20 10 PG	200	0.62	1
KKT 22 10 PG	225	0.74	1
KKT 25 10 PG	250	0.86	1
		1.2mm	
KKT 30 12 PG	300	1.37	1
KKT 40 12 PG	400	2.18	1
KKT 45 12 PG	450	2.66	1
KKT 50 12 PG	500	3.19	1
KKT 60 12 PG	600	4.38	1

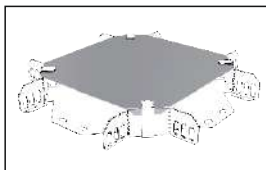
KKT ...		1.5mm	
CODE	Width a=b=c mm	KG 1 pc	pcs
KKT 05 15 PG	50	0.20	1
KKT 07 15 PG	75	0.29	1
KKT 10 15 PG	100	0.39	1
KKT 12 15 PG	125	0.50	1
KKT 15 15 PG	150	0.63	1
KKT 20 15 PG	200	0.93	1
KKT 22 15 PG	225	1.10	1
KKT 25 15 PG	250	1.29	1
KKT 30 15 PG	300	1.71	1
KKT 40 15 PG	400	2.73	1
KKT 45 15 PG	450	3.33	1
KKT 50 15 PG	500	3.98	1
KKT 60 15 PG	600	5.47	1

KKT



## Cover of Cross Bend of Cable Tray

Dörtlü Kanal Dönüş Karağı - Крышка Крестовины



### Important!

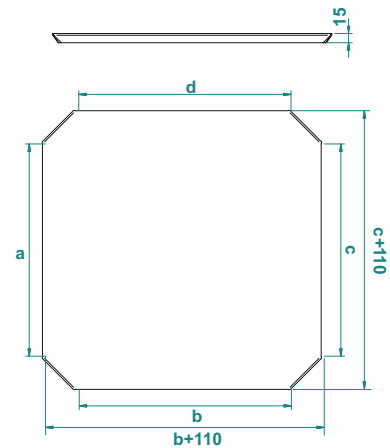
For fixing cable tray cover bend sections use 4 pcs of KT/1 cover clamps. Cover clamps fixing - side sliding.

Pre - Galvanised

KKD ...		1.0mm	
CODE	Width a=b=c=d mm	KG 1 pc	pcs
KKD 05 10 PG	50	0.17	1
KKD 07 10 PG	75	0.24	1
KKD 10 10 PG	100	0.31	1
KKD 12 10 PG	125	0.39	1
KKD 15 10 PG	150	0.49	1
KKD 20 10 PG	200	0.70	1
KKD 22 10 PG	225	0.82	1
KKD 25 10 PG	250	0.96	1
		1.2mm	
KKD 30 12 PG	300	1.50	1
KKD 40 12 PG	400	2.35	1
KKD 45 12 PG	450	2.84	1
KKD 50 12 PG	500	3.38	1
KKD 60 12 PG	600	4.60	1

KKD ...		1.5mm	
CODE	Width a=b=c=d mm	KG 1 pc	pcs
KKD 05 15 PG	50	0.26	1
KKD 07 15 PG	75	0.36	1
KKD 10 15 PG	100	0.47	1
KKD 12 15 PG	125	0.59	1
KKD 15 15 PG	150	0.73	1
KKD 20 15 PG	200	1.05	1
KKD 22 15 PG	225	1.24	1
KKD 25 15 PG	250	1.43	1
KKD 30 15 PG	300	1.87	1
KKD 40 15 PG	400	2.93	1
KKD 45 15 PG	450	3.55	1
KKD 50 15 PG	500	4.22	1
KKD 60 15 PG	600	5.75	1

KKD



### APPLICATIONS

Cable routing

### MATERIAL

Steel, strip-galv. acc. to the Sendzimir method to TS-EN 10346:2011 (PG)

Available finishes:

HDG-steel, hot-dip galv. to TS-EN ISO 1461:2011 (HDG)

SS- stainless steel AISI 304L and AISI 316L (SS)

EP- powder coating in a full range of colours (RAL)

Thickn. (ga) [mm]:

0.6 0.8 1.0 1.2 1.5

## Cover of Vertical Outside Bend of Cable Tray (Flexible)

*Dikey Kanal Dış Bükeye Karađı - Крышка арки гибкой внешней*



### Important!

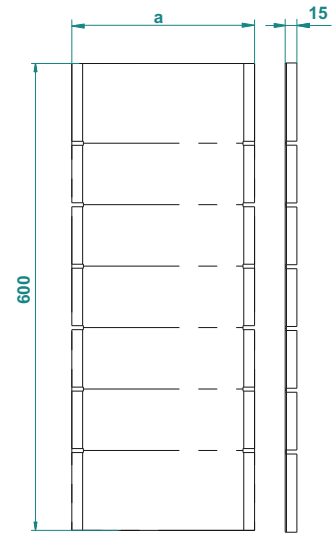
For fixing cable tray cover bend sections use 4 pcs of KT/1 cover clamps. Cover clamps fixing - side sliding.

### Pre - Galvanised

KKDB ... H15		1.0mm	
CODE	Width a mm	KG 1 pc	pcs
KKDB 05 10 PG	50	0.40	1
KKDB 07 10 PG	75	0.52	1
KKDB 10 10 PG	100	0.64	1
KKDB 12 10 PG	125	0.77	1
KKDB 15 10 PG	150	0.89	1
KKDB 20 10 PG	200	1.13	1
KKDB 22 10 PG	225	1.26	1
KKDB 25 10 PG	250	1.38	1
		1.2mm	
KKDB 30 12 PG	300	1.95	1
KKDB 40 12 PG	400	3.04	1
KKDB 45 12 PG	450	3.40	1
KKDB 50 12 PG	500	3.75	1
KKDB 60 12 PG	600	4.46	1

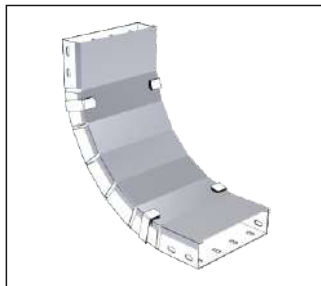
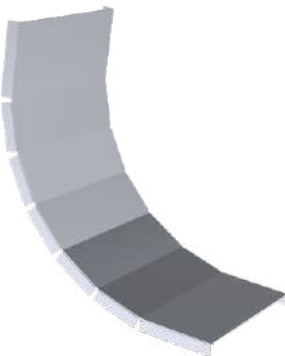
KKDB ... H15		1.5mm	
CODE	Width a mm	KG 1 pc	pcs
KKDB 05 15 PG	50	0.59	1
KKDB 07 15 PG	75	0.78	1
KKDB 10 15 PG	100	0.96	1
KKDB 12 15 PG	125	1.15	1
KKDB 15 15 PG	150	1.33	1
KKDB 20 15 PG	200	1.70	1
KKDB 22 15 PG	225	1.88	1
KKDB 25 15 PG	250	2.07	1
KKDB 30 15 PG	300	2.43	1
KKDB 40 15 PG	400	3.80	1
KKDB 45 15 PG	450	4.24	1
KKDB 50 15 PG	500	4.69	1
KKDB 60 15 PG	600	5.57	1

### KKDB



## Cover of Vertical Inside Bend of Cable Tray (Flexible)

*Dikey Kanal İç Bükeye Karađı - Крышка арки гибкой внутренней*



### Important!

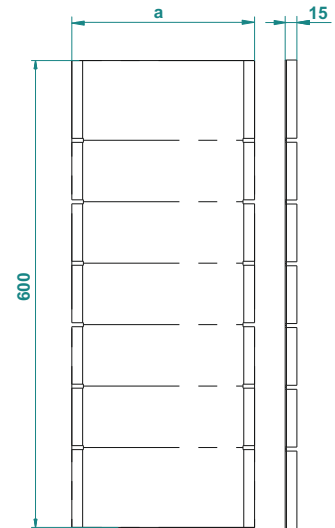
For fixing cable tray cover bend sections use 4 pcs of KT/1 cover clamps. Cover clamps fixing - side sliding.

### Pre - Galvanized

KKIB ... H15		1.0mm	
CODE	Width a mm	KG 1 pc	pcs
KKIB 05 10 PG	50	0.40	1
KKIB 07 10 PG	75	0.52	1
KKIB 10 10 PG	100	0.64	1
KKIB 12 10 PG	125	0.77	1
KKIB 15 10 PG	150	0.89	1
KKIB 20 10 PG	200	1.13	1
KKIB 22 10 PG	225	1.26	1
KKIB 25 10 PG	250	1.38	1
		1.2mm	
KKIB 30 12 PG	300	1.95	1
KKIB 40 12 PG	400	3.04	1
KKIB 45 12 PG	450	3.40	1
KKIB 50 12 PG	500	3.75	1
KKIB 60 12 PG	600	4.46	1

KKIB ... H15		1.5mm	
CODE	Width a mm	KG 1 pc	pcs
KKIB 05 15 PG	50	0.59	1
KKIB 07 15 PG	75	0.78	1
KKIB 10 15 PG	100	0.96	1
KKIB 12 15 PG	125	1.15	1
KKIB 15 15 PG	150	1.33	1
KKIB 20 15 PG	200	1.70	1
KKIB 22 15 PG	225	1.88	1
KKIB 25 15 PG	250	2.07	1
KKIB 30 15 PG	300	2.43	1
KKIB 40 15 PG	400	3.80	1
KKIB 45 15 PG	450	4.24	1
KKIB 50 15 PG	500	4.69	1
KKIB 60 15 PG	600	5.57	1

### KKIB



### APPLICATIONS

Cable routing

### MATERIAL

Steel, strip-galv. acc. to the Sendzimir method to TS-EN 10346:2011 (PG)

Available finishes:

HDG-steel, hot-dip galv. to TS-EN ISO 1461:2011 (HDG)

SS- stainless steel AISI 304L and AISI 316L (SS)

EP- powder coating in a full range of colours (RAL)

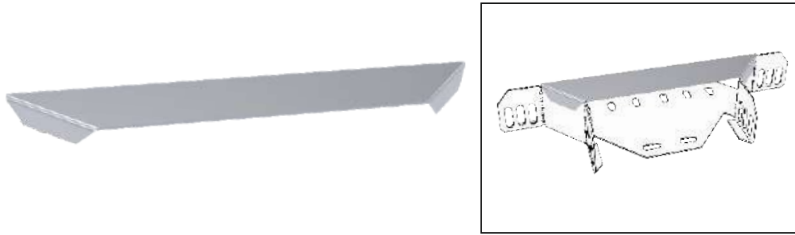
Thickn. (ga) [mm]:

**0.6 0.8 1.0 1.2 1.5**

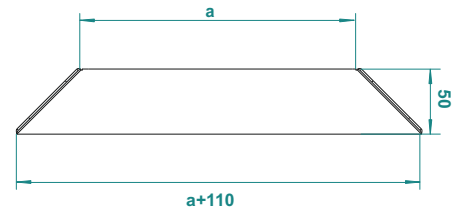


## Cover of Add On Tee Horizontal Bend of Cable Tray

"T" Kanal Yatay Dönüş Eki Kapağı - Крышка T-отвода горизонтального



KKTE



### Important!

For fixing cable tray cover bend sections use 2 pcs of KT/1 cover clamps. Cover clamps fixing - side sliding.

### Pre - Galvanised

KKTE ... H15		1.0mm	
CODE	Width a mm	kg 1 pc	pcs
KKTE 10 10 PG	50	0.08	1
KKTE 12 10 PG	75	0.09	1
KKTE 15 10 PG	100	0.10	1
KKTE 20 10 PG	125	0.12	1
KKTE 22 10 PG	150	0.13	1
KKTE 25 10 PG	200	0.14	1

KKTE ... H15		1.2mm	
CODE	Width a mm	kg 1 pc	pcs
KKTE 30 12 PG	300	0.19	1
KKTE 40 12 PG	400	0.23	1
KKTE 45 12 PG	450	0.26	1
KKTE 50 12 PG	500	0.28	1
KKTE 60 12 PG	600	0.33	1

KKTER1 ... H15		1.5mm	
CODE	Width a mm	kg 1 pc	pcs
KKTER1 10 15 PG	50	0.39	1
KKTER1 12 15 PG	75	0.42	1
KKTER1 15 15 PG	100	0.45	1
KKTER1 20 15 PG	125	0.51	1
KKTER1 22 15 PG	150	0.55	1
KKTER1 25 15 PG	200	0.58	1
KKTER1 30 15 PG	225	0.64	1
KKTER1 40 15 PG	250	0.76	1
KKTER1 45 15 PG	300	0.83	1
KKTER1 50 15 PG	400	0.89	1
KKTER1 60 15 PG	450	1.01	1

### APPLICATIONS

Cable routing

### MATERIAL

Steel, strip-galv. acc. to the Sendzimir method to TS-EN 10346:2011 (PG)

Available finishes:

HDG-steel, hot-dip galv. to TS-EN ISO 1461:2011 (HDG)

SS- stainless steel AISI 304L and AISI 316L (SS)

EP- powder coating in a full range of colours (RAL)

Thickn. (ga) [mm]:

**0.6 0.8 1.0 1.2 1.5**

## Edge Protection Strip

Kenar Koruma Fitili - Лента для защиты кромок



FIT SNG



FIT DBL

### PVC

FIT ...		FIT ...	
CODE	Length L mm	kg mt/kg	pcs
FIT SNG	50	0.10	1

FIT ...		FIT ...	
CODE	Length L mm	kg mt/kg	pcs
FIT DBL	50	0.20	1

## Zinc Spray

Çinko Sprey - Цинковый спрей



CODE	kg 1pc	pcs
ZINC 400	0.4	1

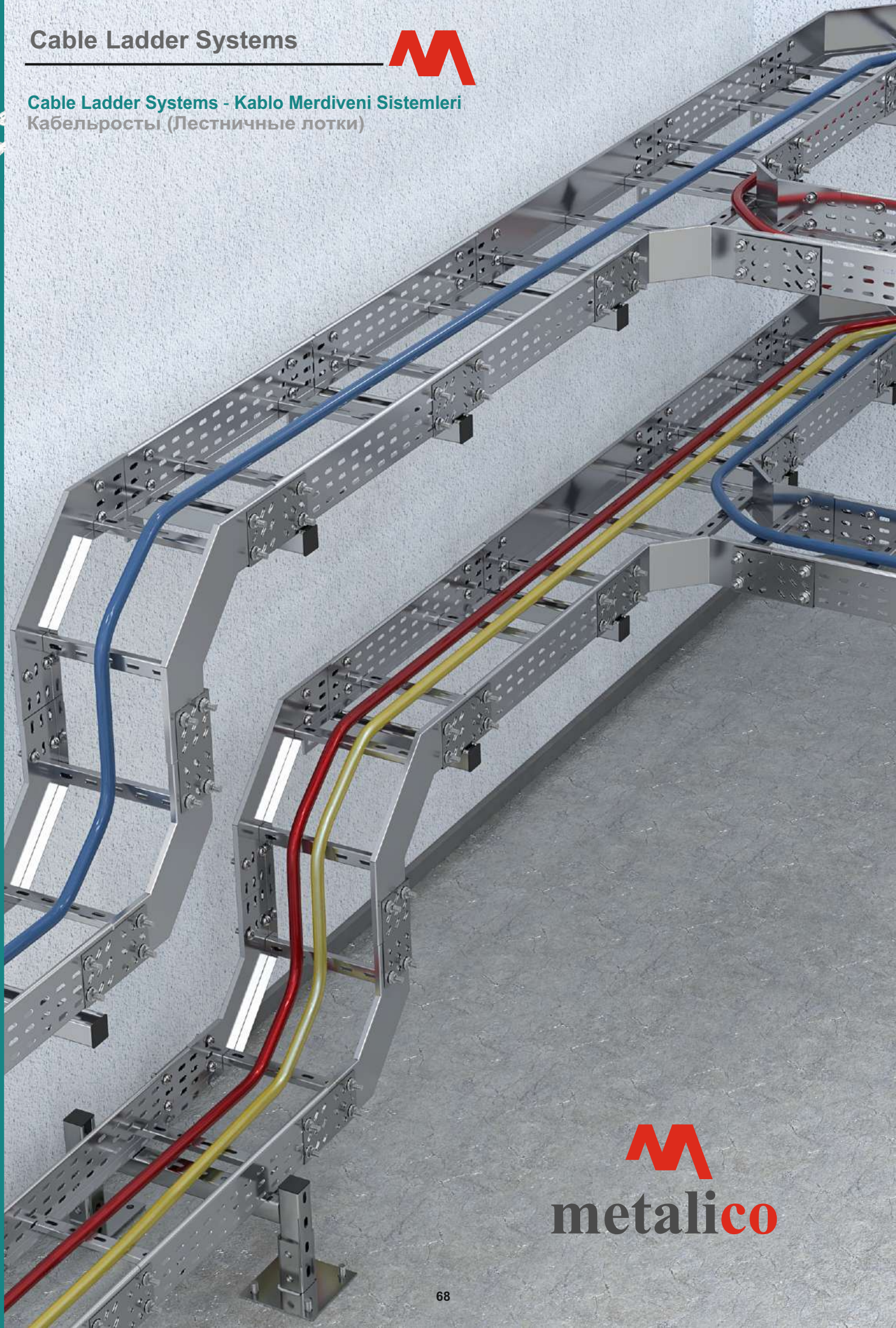
### APPLICATIONS

Cable routing / Standard : IEC 61537

# Cable Ladder Systems



Cable Ladder Systems - Kablo Merdiveni Sistemleri  
Кабельросты (Лестничные лотки)

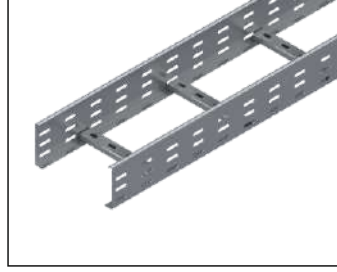


## Cable Ladder Systems - Kablo Merdiveni Sistemleri

### Кабельросты (Лестничные лотки)



PKM



SKM



UKM



CKM



ZKM



BKM

### Accessories

**Straight Connector**  
Ek Elemanı



KBE

**Adjustable horizontal connector**  
Yatay seviye deęiřtirme eki



BYD

**Adjustable Vertical Connector**  
Dikey Seviye Degiřtirme Eki



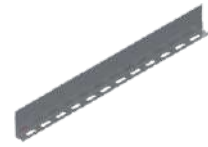
BDD

**Reducer Connector - Single Type**  
Reduksiyon



RT

**Barrier Strip**  
Separatör



SEP

**Stop End**  
Sonlandırma



SON

**Fixing unit**  
Merdiveni konsola sabitleme



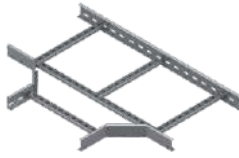
MT/1

**90° Hor. Ladder bend**  
90° Yat. merdiven dönüřü



PM90

**Tee Hor. Ladder bend**  
T merdiven dönüřü



PMT

**Cross bend cover**  
Dörtlü merdiven dönüřü



PMD

**Vertical inside 90° Ladder bend**  
90° Dikey iç bükey merdiven dönüřü



PMIS

**Vertical outside 90° Ladder bend**  
90° Dikey dış bükey merdiven dönüřü



PMDS

**Vertical inside 45° Ladder bend**  
45° Dikey iç bükey merdiven dönüřü



PMIS45

**Vertical outside 45° Ladder bend**  
45° Dikey dış bükey merdiven dönüřü



PMDS45

**Modular Riser**  
Modüler iniř-çıkıř



PMMB

## Cable Ladder

Kablo Merdiveni - Кабельности (Лестничные лотки)



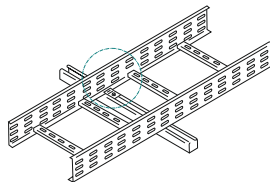
**Important!**  
Joining cable tray sections together only through the use of couplers 2 pcs for 1 Length  
To install cable tray - straight use Screw Sets CFS M6 or CFS M8

### Pre - Galvanised

PKM ...	H50...	1.2mm	1.5mm	
CODE	Width W mm	Length L mm	kg 1m	pcs
PKM 510 12 PG	100	3000	1.38	2
PKM 515 12 PG	150	3000	1.47	2
PKM 520 12 PG	200	3000	1.56	2
PKM 525 12 PG	250	3000	1.65	2
PKM 530 12 PG	300	3000	1.73	2
PKM 540 12 PG	400	3000	1.91	2
PKM 545 12 PG	450	3000	2.00	2
PKM 550 12 PG	500	3000	2.08	2
PKM 560 12 PG	600	3000	2.26	2

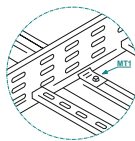
## Fixing Unit for Cable Ladder

Merdiven Sabitleme Elemanı - Фиксатор кабельности



### Pre - Galvanised

MT/1...	kg 1pc	pcs
MT/1 PG	0.036	100



## Straight Connector (Coupler)

Birleştirme Elemanı - Прямой соединитель



To Install one length ; use 2 pieces of KBE connector 8 sets of CFS bolts and nuts. (M6 or M8)

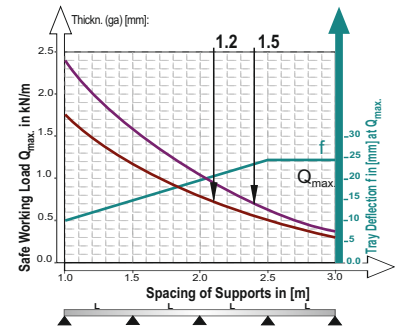
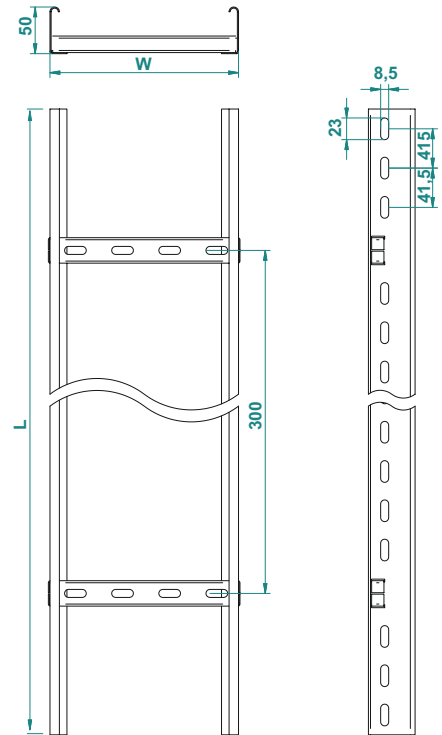
### Pre - Galvanised

KBE 2 ... H50	1.2mm	1.5mm	
CODE	Length L mm	kg 1pc	pcs
KBE 250 12 PG	175	0.09	100
KBE 250 15 PG	175	0.11	100

### Electro - Galvanised

CFS M6	M6	CFS M8	M8	
CODE	Size mm	Length L mm	kg 1Set	pcs
CFS M6 EG	M6	15	0,008	500
CFS M8 EG	M8	15	0,014	500

## PKM H50

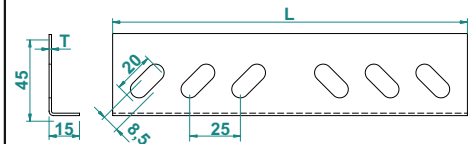


This diagram comply with IEC 61537 with connection to 1/5 of the span and the end span = 0,8x the span

Q = max. admissible load (kg/m)  
L = support distance (m)  
f = Deflection (mm) / Max. deflection = L/100  
Safety co-efficient = 1.5

Width	Usable Cross-Section
50	23 cm <sup>2</sup>
100	48 cm <sup>2</sup>
150	73 cm <sup>2</sup>
200	98 cm <sup>2</sup>
300	148 cm <sup>2</sup>
400	198 cm <sup>2</sup>
500	248 cm <sup>2</sup>
600	298 cm <sup>2</sup>

## KBE 2 H50



M6x15 Round head squire neck bolt & M6 Flanged nut

## APPLICATIONS

Cable routing

## MATERIAL

Steel, strip-galv. acc. to the Sendzimir method to TS-EN 10346:2011 (PG)

Available finishes:

HDG-steel, hot-dip galv. to TS-EN ISO 1461:2011 (HDG)  
SS- stainless steel AISI 304L and AISI 316L (SS)  
EP- powder coating in a full range of colours (RAL)

Thickn. (ga) [mm]: 1.2 1.5

## 90° Horizontal Bend of Cable Ladder

90° Merdiven Yatay Dönüş Elemanı - Угол кабельроста горизонтальный 90°



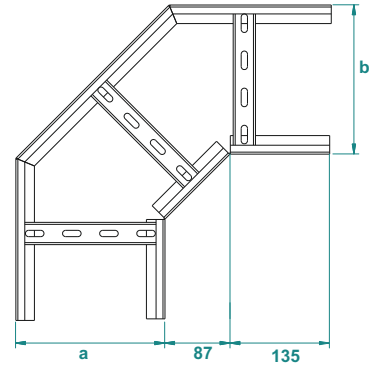
**Important!**  
To instal cable tray - bend use Screw Sets CFS M6 or CFS M8

Pre - Galvanised

PM90 ...	H50...	1.2mm		
CODE	Width W a=b	kg 1 pc	pcs	
PM90 510 12 PG	100	0.74	1	
PM90 515 12 PG	150	0.89	1	
PM90 520 12 PG	200	1.03	1	
PM90 525 12 PG	250	1.18	1	
PM90 530 12 PG	300	1.32	1	
PM90 540 12 PG	400	1.62	1	
PM90 545 12 PG	450	1.76	1	
PM90 550 12 PG	500	1.91	1	
PM90 560 12 PG	600	2.21	1	

PM90 ...	H50...	1.5mm		
CODE	Width W a=b	kg 1 pc	pcs	
PM90 510 15 PG	100	0.93	1	
PM90 515 15 PG	150	1.10	1	
PM90 520 15 PG	200	1.29	1	
PM90 525 15 PG	250	1.47	1	
PM90 530 15 PG	300	1.66	1	
PM90 540 15 PG	400	2.02	1	
PM90 545 15 PG	450	2.20	1	
PM90 550 15 PG	500	2.39	1	
PM90 560 15 PG	600	2.75	1	

PM90 H50



## 45° Horizontal Bend of Cable Ladder

45° Merdiven Yatay Dönüş Elemanı - Угол кабельроста горизонтальный 45°



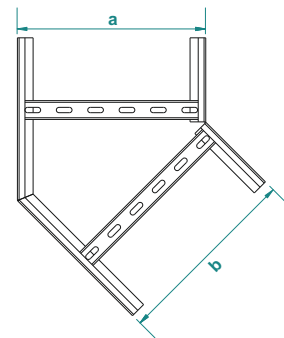
**Important!**  
To instal cable tray - bend use Screw Sets CFS M6 or CFS M8

Pre - Galvanised

PM45 ...	H50...	1.2mm		
CODE	Width W a=b	kg 1 pc	pcs	
PM45 510 12 PG	100	0.66	1	
PM45 515 12 PG	150	0.74	1	
PM45 520 12 PG	200	0.83	1	
PM45 525 12 PG	250	0.91	1	
PM45 530 12 PG	300	1.00	1	
PM45 540 12 PG	400	1.17	1	
PM45 545 12 PG	450	1.26	1	
PM45 550 12 PG	500	1.34	1	
PM45 560 12 PG	600	1.52	1	

PM45 ...	H50...	1.5mm		
CODE	Width W a=b	kg 1 pc	pcs	
PM45 510 15 PG	100	0.82	1	
PM45 515 15 PG	150	0.93	1	
PM45 520 15 PG	200	1.03	1	
PM45 525 15 PG	250	1.15	1	
PM45 530 15 PG	300	1.25	1	
PM45 540 15 PG	400	1.46	1	
PM45 545 15 PG	450	1.58	1	
PM45 550 15 PG	500	1.68	1	
PM45 560 15 PG	600	1.90	1	

PM45 H50



**APPLICATIONS**  
Cable routing

**MATERIAL**

Steel, strip-galv. acc. to the Sendzimir method to TS-EN 10346:2011 (PG)

Available finishes:

HDG-steel, hot-dip galv. to TS-EN ISO 1461:2011 (HDG)  
SS- stainless steel AISI 304L and AISI 316L (SS)  
EP- powder coating in a full range of colours (RAL)

Thickn. (ga) [mm]: 1.2 | 1.5

## Tee Horizontal Bend of Cable Ladder

"T" Merdiven Yatay Dönüş Elemanı - T-отвод кабельроста горизонтальный



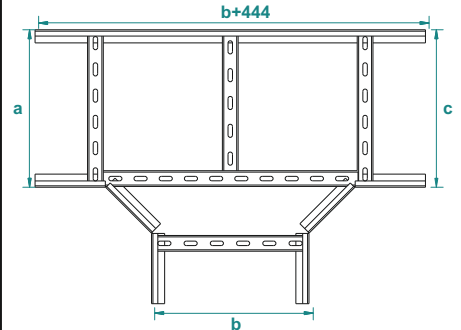
Important!  
To instal cable tray - bend use Screw Sets CFS M6  
or CFS M8

### Pre - Galvanised

PMT ...	H50...	1.2mm		
CODE	Width W a=b=c	Kg 1 pc	pcs	
PMT 510 12 PG	100	0.94	1	
PMT 515 12 PG	150	1.07	1	
PMT 520 12 PG	200	1.20	1	
PMT 525 12 PG	250	1.56	1	
PMT 530 12 PG	300	1.72	1	
PMT 540 12 PG	400	2.31	1	
PMT 545 12 PG	450	2.51	1	
PMT 550 12 PG	500	2.71	1	
PMT 560 12 PG	600	3.09	1	

PMT ...	H50...	1.5mm		
CODE	Width W a=b=c	Kg 1 pc	pcs	
PMT 510 15 PG	100	1.13	1	
PMT 515 15 PG	150	1.26	1	
PMT 520 15 PG	200	1.40	1	
PMT 525 15 PG	250	1.77	1	
PMT 530 15 PG	300	1.94	1	
PMT 540 15 PG	400	2.54	1	
PMT 545 15 PG	450	2.75	1	
PMT 550 15 PG	500	2.95	1	
PMT 560 15 PG	600	3.36	1	

### PMT H50



## Cross Bend of Cable Ladder

Dörtlü Merdiven Dönüş Elemanı - Крестовина кабельроста



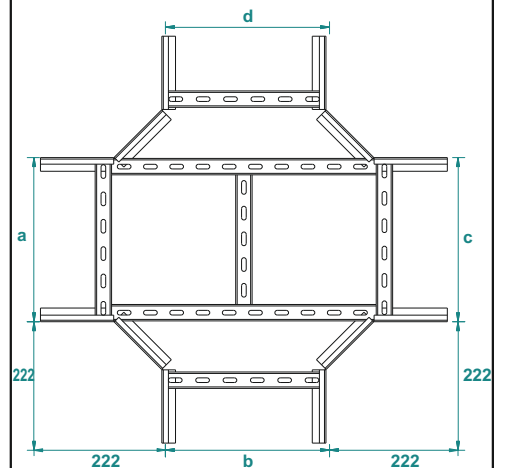
Important!  
To instal cable tray - bend use Screw Sets CFS M6  
OR CFS M8

### Pre - Galvanised

PMD ...	H50...	1.2mm		
CODE	Width W a=b=c=d	Kg 1 pc	pcs	
PMD 510 12 PG	100	1.16	1	
PMD 515 12 PG	150	1.29	1	
PMD 520 12 PG	200	1.42	1	
PMD 525 12 PG	250	1.79	1	
PMD 530 12 PG	300	1.95	1	
PMD 540 12 PG	400	2.28	1	
PMD 545 12 PG	450	2.81	1	
PMD 550 12 PG	500	3.00	1	
PMD 560 12 PG	600	3.40	1	

PMD ...	H50...	1.5mm		
CODE	Width W a=b=c=d	Kg 1 pc	pcs	
PMD 510 15 PG	100	1.38	1	
PMD 515 15 PG	150	1.51	1	
PMD 520 15 PG	200	1.64	1	
PMD 525 15 PG	250	2.00	1	
PMD 530 15 PG	300	2.17	1	
PMD 540 15 PG	400	2.50	1	
PMD 545 15 PG	450	3.02	1	
PMD 550 15 PG	500	3.22	1	
PMD 560 15 PG	600	3.62	1	

### PMD H50



### APPLICATIONS

Cable routing

### MATERIAL

Steel, strip-galv. acc. to the Sendzimir method  
to TS-EN 10346:2011 (PG)

Available finishes:

HDG-steel, hot-dip galv. to TS-EN ISO 1461:2011 (HDG)  
SS- stainless steel AISI 304L and AISI 316L (SS)  
EP- powder coating in a full range of colours (RAL)

Thickn. (ga) [mm]: 1.2 1.5

## Vertical 90° Outside Bend of Cable Ladder (Stable)

90° Dikey Merdiven Dış Bükey Elemanı - (Sabit) - Арка фиксированная кабельроста, внешняя 90°

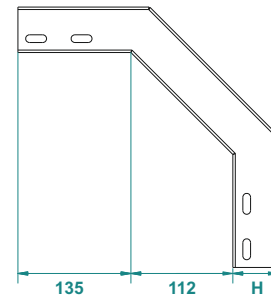
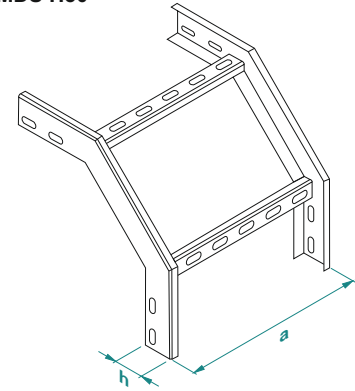


**Important!**  
To install vertical bend - use 2 pieces of KBE connectors and 4 sets of CFS bolts and nuts (M6 or M8)

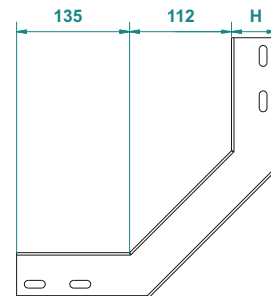
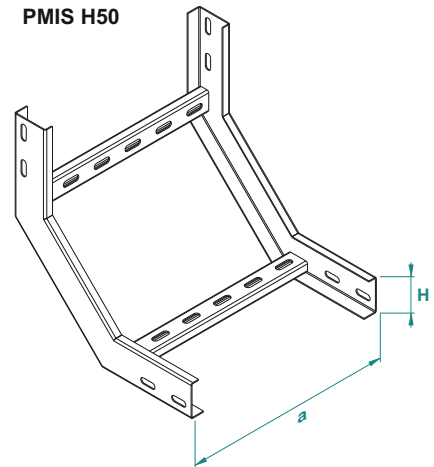
Pre - Galvanised

PMDS ... H50... 1.2mm				PMDS ... H50... 1.5mm			
CODE	Width W a mm	Kg 1 pc	pcs	CODE	Width W a mm	Kg 1 pc	pcs
PMDS 510 12 PG	100	0.88	1	PMDS 510 15 PG	100	1.10	1
PMDS 515 12 PG	150	1.96	1	PMDS 515 15 PG	150	1.20	1
PMDS 520 12 PG	200	1.04	1	PMDS 520 15 PG	200	1.30	1
PMDS 525 12 PG	250	1.12	1	PMDS 525 15 PG	250	1.40	1
PMDS 530 12 PG	300	1.19	1	PMDS 530 15 PG	300	1.50	1
PMDS 540 12 PG	400	1.54	1	PMDS 540 15 PG	400	1.92	1
PMDS 545 12 PG	450	1.62	1	PMDS 545 15 PG	450	2.02	1
PMDS 550 12 PG	500	1.70	1	PMDS 550 15 PG	500	2.12	1
PMDS 560 12 PG	600	1.85	1	PMDS 560 15 PG	600	2.31	1

PMDS H50



PMIS H50



## Vertical 90° Inside Bend of Cable Ladder (Stable)

90° Dikey Merdiven İç Bükey Elemanı - (Sabit) - Арка фиксированная кабельроста, внутренняя 90°



**Important!**  
To install cable tray - bend use Screw Sets CFS M6 or CFS M8

Pre - Galvanised

PMIS... H50... 1.2mm				PMIS ... H50... 1.5mm			
CODE	Width W a mm	Kg 1 pc	pcs	CODE	Width W a=b	Kg 1 pc	pcs
PMIS 510 12 PG	100	0.88	1	PMIS 510 15 PG	100	1.10	1
PMIS 515 12 PG	150	0.96	1	PMIS 515 15 PG	150	1.20	1
PMIS 520 12 PG	200	1.04	1	PMIS 520 15 PG	200	1.30	1
PMIS 525 12 PG	250	1.12	1	PMIS 525 15 PG	250	1.40	1
PMIS 530 12 PG	300	1.19	1	PMIS 530 15 PG	300	1.50	1
PMIS 540 12 PG	400	1.54	1	PMIS 540 15 PG	400	1.92	1
PMIS 545 12 PG	450	1.62	1	PMIS 545 15 PG	450	2.02	1
PMIS 550 12 PG	500	1.70	1	PMIS 550 15 PG	500	2.12	1
PMIS 560 12 PG	600	1.85	1	PMIS 560 15 PG	600	2.31	1

**APPLICATIONS**  
Cable routing

**MATERIAL**

Steel, strip-galv. acc. to the Sendzimir method to TS-EN 10346:2011 (PG)

Available finishes:

HDG-steel, hot-dip galv. to TS-EN ISO 1461:2011 (HDG)  
SS- stainless steel AISI 304L and AISI 316L (SS)  
EP- powder coating in a full range of colours (RAL)

Thickn. (ga) [mm]: 1.2 | 1.5

## Modular Adjustable Cable Ladder Riser

Modüler Merdiven İniş-Çıkış Elemanı - Шарнирный элемент дуги кабельроста

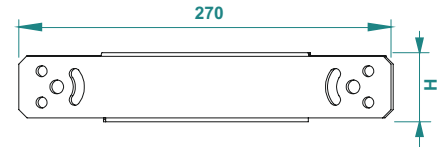
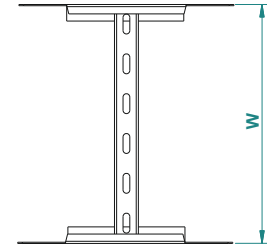


**Important!**  
To install cable tray - bend use Screw Sets CFS M6 or CFS M8

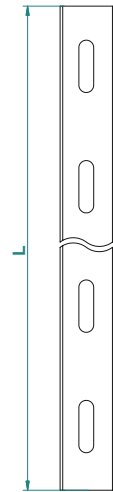
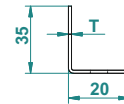
Pre - Galvanised

PMMB ... H50... 1.2mm				PMMB ... H50... 1.5mm			
CODE	Width W a mm	KG 1 pc	pcs	CODE	Width W a mm	KG 1 pc	pcs
PMMB 510 12 PG	100	0.41	1	PMMB 510 15 PG	100	0.52	1
PMMB 515 12 PG	150	0.44	1	PMMB 515 15 PG	150	0.55	1
PMMB 520 12 PG	200	0.47	1	PMMB 520 15 PG	200	0.59	1
PMMB 525 12 PG	250	0.49	1	PMMB 525 15 PG	250	0.62	1
PMMB 530 12 PG	300	0.52	1	PMMB 530 15 PG	300	0.65	1
PMMB 540 12 PG	400	0.57	1	PMMB 540 15 PG	400	0.72	1
PMMB 545 12 PG	450	0.60	1	PMMB 545 15 PG	450	0.75	1
PMMB 550 12 PG	500	0.62	1	PMMB 550 15 PG	500	0.79	1
PMMB 560 12 PG	600	0.68	1	PMMB 560 15 PG	600	0.85	1

PMMB H50



SEP 1 H35



## Seperator

Seperator - Перегородка

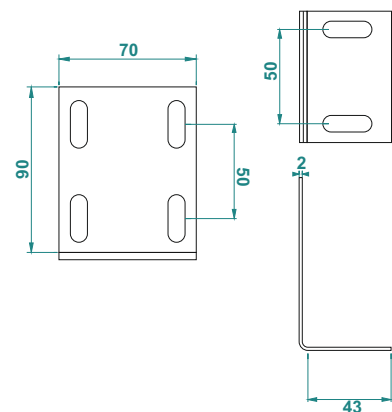


To Install Seperator use CFS bolts and nuts. ( M6 or M8 )

Pre - Galvanised

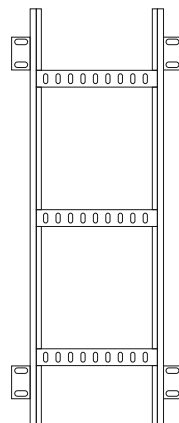
SEP 1 ... H35 1.0mm				SEP 1 ... H35 1.5mm			
CODE	Length L mm	KG 1m	pcs	CODE	Length L mm	KG 1m	pcs
SEP 135 10 PG	3000	0.40	1	SEP 135 15 PG	3000	0.59	1

DKE 90



## Wall Fixing Bracket

Duvara Tespit Elemanı - Стеновое крепление лотка



Pre - Galvanised

DKE				
CODE	Height H mm	Length L mm	KG 1 pc	pcs
DKE 90 PG	90	70	0.14	1

**APPLICATIONS**  
Cable routing

**MATERIAL**  
Steel, strip-galv. acc. to the Sendzimir method to TS-EN 10346:2011 (PG)

Available finishes:  
HDG-steel, hot-dip galv. to TS-EN ISO 1461:2011 (HDG)  
SS- stainless steel AISI 304L and AISI 316L (SS)  
EP- powder coating in a full range of colours (RAL)

Thickn. (ga) [mm]: **1.2 1.5**



## Cable Ladder

Kablo Merdiveni - Кабельности (Лестничные лотки)



Important!  
Joining cable tray sections together only through the use of couplers 2 pcs for 1 Length  
To install cable tray - straight use Screw Sets CFS M6 or CFS M8

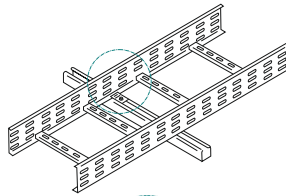
### Pre - Galvanised

PKM ...	H60...	1.2mm		
CODE	Width W mm	Length L mm	kg 1 mt	pcs
PKM 610 12 PG	100	3000	1.53	2
PKM 615 12 PG	150	3000	1.62	2
PKM 620 12 PG	200	3000	1.71	2
PKM 625 12 PG	250	3000	1.80	2
PKM 630 12 PG	300	3000	1.88	2
PKM 640 12 PG	400	3000	2.06	2
PKM 645 12 PG	450	3000	2.15	2
PKM 650 12 PG	500	3000	2.24	2
PKM 660 12 PG	600	3000	2.41	2

PKM ...	H60...	1.5mm		
CODE	Width W mm	Length L mm	kg 1 mt	pcs
PKM 610 15 PG	100	3000	1.92	2
PKM 615 15 PG	150	3000	2.03	2
PKM 620 15 PG	200	3000	2.14	2
PKM 625 15 PG	250	3000	2.25	2
PKM 630 15 PG	300	3000	2.36	2
PKM 640 15 PG	400	3000	2.57	2
PKM 645 15 PG	450	3000	2.68	2
PKM 650 15 PG	500	3000	2.79	2
PKM 660 15 PG	600	3000	3.01	2

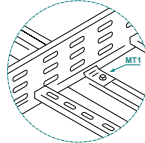
## Fixing Unit for Cable Ladder

Merdiven Sabitleme Elemanı - Фиксатор кабельности



### Pre - Galvanised

MT/1...		
CODE	kg 1 pc	pcs
MT/1 PG	0.036	100



## Straight Connector (Coupler)

Birleştirme Elemanı - Прямой соединитель



To Install one length ; use 2 pieces of KBE connector 8 sets of CFS bolts and nuts. (M6 or M8)

### Pre - Galvanised

KBE 2 ... H60	1.2mm		
CODE	Length L mm	kg 1pc	pcs
KBE 260 12 PG	175	0.1	100

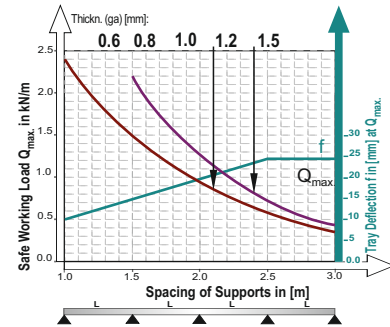
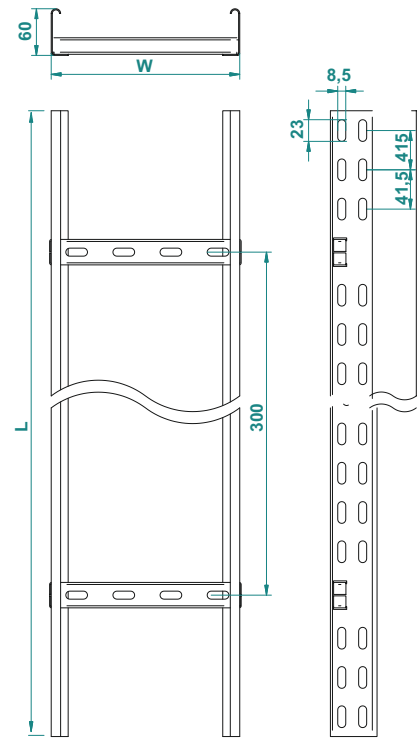
KBE 2 ... H60	1.5mm		
CODE	Length L mm	kg 1 pc	pcs
KBE 260 15 PG	0.13	0.11	100

### Electro - Galvanized

CFS M6	M6		
CODE	Size mm	Length L mm	kg 1Set pcs
CFS M6 EG	M6	15	0,008 500

CFS M8	M8		
CODE	Size mm	Length L mm	kg 1Set pcs
CFS M8 EG	M8	15	0,014 500

## PKM H60

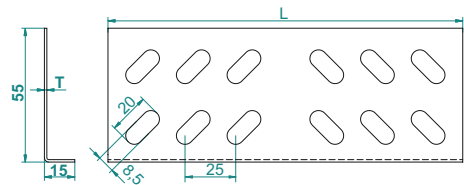


This diagram comply with IEC 61537 with connection to 1/5 of the span and the end span = 0,8x the span

Q = max. admissible load (kg/m)  
L = support distance (m)  
f = Deflection (mm) / Max. deflection = L/100  
Safety co-efficient = 1.5

Width	Usable Cross-Section
50	28 cm <sup>2</sup>
100	58 cm <sup>2</sup>
150	88 cm <sup>2</sup>
200	118 cm <sup>2</sup>
300	178 cm <sup>2</sup>
400	238 cm <sup>2</sup>
500	298 cm <sup>2</sup>
600	358 cm <sup>2</sup>

## KBE 2 H60



M6x15 Round head squire neck bolt & M6 Flanged nut

### APPLICATIONS

Cable routing

### MATERIAL

Steel, strip-galv. acc. to the Sendzimir method to TS-EN 10346:2011 (PG)

Available finishes:

HDG-steel, hot-dip galv. to TS-EN ISO 1461:2011 (HDG)  
SS- stainless steel AISI 304L and AISI 316L (SS)  
EP- powder coating in a full range of colours (RAL)

Thickn. (ga) [mm]: 1.2 1.5

## 90° Horizontal Bend of Cable Ladder

90° Merdiven Yatay Dönüş Elemanı - Угол кабельроста горизонтальный 90°



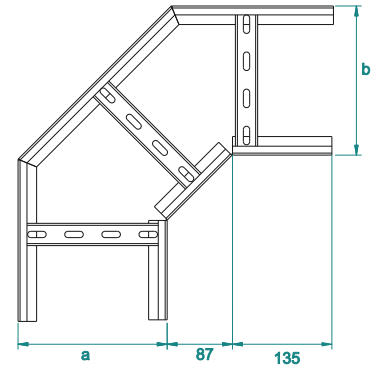
**Important!**  
To install cable tray - bend use Screw Sets CFS M6 or CFS M8

Pre - Galvanised

PM90 ...	H60...	1.2mm		
CODE	Width W a=b	Kg 1 pc	pcs	
PM90 610 12 PG	100	0.81	1	
PM90 615 12 PG	150	0.97	1	
PM90 620 12 PG	200	1.12	1	
PM90 625 12 PG	250	1.28	1	
PM90 630 12 PG	300	1.43	1	
PM90 640 12 PG	400	1.74	1	
PM90 645 12 PG	450	1.90	1	
PM90 650 12 PG	500	2.05	1	
PM90 660 12 PG	600	2.36	1	

PM90 ...	H60...	1.5mm		
CODE	Width W a=b	Kg 1 pc	pcs	
PM90 610 15 PG	100	1.01	1	
PM90 615 15 PG	150	1.21	1	
PM90 620 15 PG	200	1.40	1	
PM90 625 15 PG	250	1.60	1	
PM90 630 15 PG	300	1.79	1	
PM90 640 15 PG	400	2.18	1	
PM90 645 15 PG	450	2.37	1	
PM90 650 15 PG	500	2.57	1	
PM90 660 15 PG	600	2.95	1	

PM90 H60



## 45° Horizontal Bend of Cable Ladder

45° Merdiven Yatay Dönüş Elemanı - Угол кабельроста горизонтальный 45°



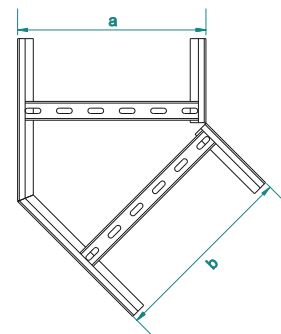
**Important!**  
To instal cable tray - bend use Screw Sets CFS M6 or CFS M8

Pre - Galvanised

PM45 ...	H60...	1.2mm		
CODE	Width W a=b	Kg 1 pc	pcs	
PM45 610 12 PG	100	0.72	1	
PM45 615 12 PG	150	0.81	1	
PM45 620 12 PG	200	0.91	1	
PM45 625 12 PG	250	0.99	1	
PM45 630 12 PG	300	1.08	1	
PM45 640 12 PG	400	1.27	1	
PM45 645 12 PG	450	1.35	1	
PM45 650 12 PG	500	1.45	1	
PM45 660 12 PG	600	1.63	1	

PM45 ...	H60...	1.5mm		
CODE	Width W a=b	Kg 1 pc	pcs	
PM45 610 15 PG	100	0.91	1	
PM45 615 15 PG	150	1.02	1	
PM45 620 15 PG	200	1.13	1	
PM45 625 15 PG	250	1.24	1	
PM45 630 15 PG	300	1.36	1	
PM45 640 15 PG	400	1.58	1	
PM45 645 15 PG	450	1.70	1	
PM45 650 15 PG	500	1.81	1	
PM45 660 15 PG	600	2.04	1	

PM45 H60



### APPLICATIONS

Cable routing

### MATERIAL

Steel, strip-galv. acc. to the Sendzimir method to TS-EN 10346:2011 (PG)

Available finishes:

HDG-steel, hot-dip galv. to TS-EN ISO 1461:2011 (HDG)  
SS- stainless steel AISI 304L and AISI 316L (SS)  
EP- powder coating in a full range of colours (RAL)

Thickn. (ga) [mm]: **1.2 1.5**

## Tee Horizontal Bend of Cable Ladder

"T" Merdiven Yatay Dönüş Elemanı - T-отвод кабельроста горизонтальный

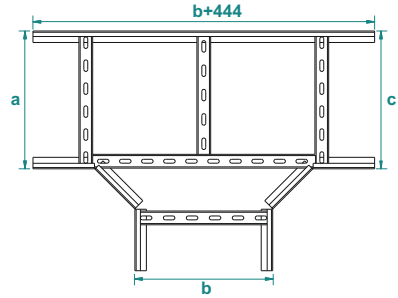


Important!  
To instal cable tray - bend use Screw Sets CFS M6  
OR CFS M8

Pre - Galvanised

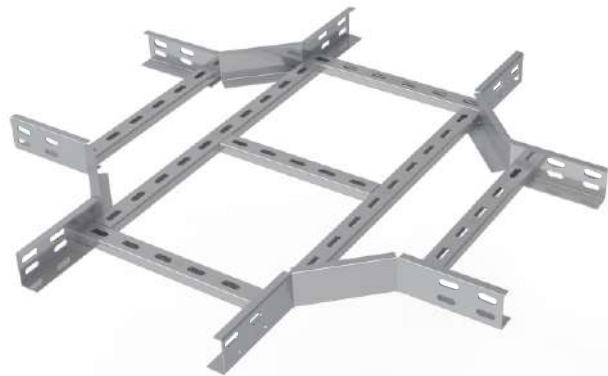
PMT ...		H60...		1.2mm	PMT ...		H60...		1.5mm
CODE	Width W a=b=c	Kg 1 pc	pcs		CODE	Width W a=b=c	Kg 1 pc	pcs	
PMT 610 12 PG	100	1.04	1		PMT 610 15 PG	100	1.25	1	
PMT 615 12 PG	150	1.17	1		PMT 615 15 PG	150	1.39	1	
PMT 620 12 PG	200	1.31	1		PMT 620 15 PG	200	1.53	1	
PMT 625 12 PG	250	1.67	1		PMT 625 15 PG	250	1.90	1	
PMT 630 12 PG	300	1.83	1		PMT 630 15 PG	300	2.07	1	
PMT 640 12 PG	400	2.42	1		PMT 640 15 PG	400	2.69	1	
PMT 645 12 PG	450	2.63	1		PMT 645 15 PG	450	2.89	1	
PMT 650 12 PG	500	2.83	1		PMT 650 15 PG	500	3.11	1	
PMT 660 12 PG	600	3.22	1		PMT 660 15 PG	600	3.52	1	

### PMT H60



## Cross Bend of Cable Ladder

Dörtlü Merdiven Dönüş Elemanı - Крестовина кабельроста

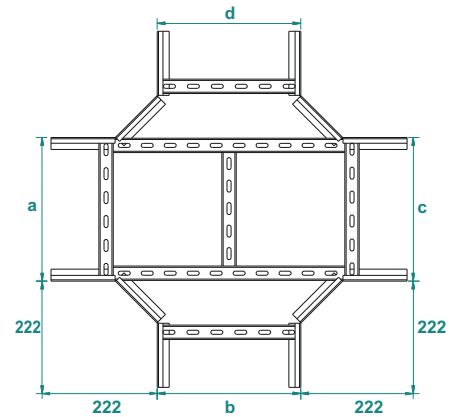


Important!  
To instal cable tray - bend use Screw Sets CFS M6  
OR CFS M8

Pre - Galvanised

PMD ...		H60...		1.2mm	PMD ...		H60...		1.5mm
CODE	Width W a=b=c=d	Kg 1 pc	pcs		CODE	Width W a=b=c=d	Kg 1 pc	pcs	
PMD 610 12 PG	100	1.26	1		PMD 610 15 PG	100	1.52	1	
PMD 615 12 PG	150	1.40	1		PMD 615 15 PG	150	1.65	1	
PMD 620 12 PG	200	1.53	1		PMD 620 15 PG	200	1.78	1	
PMD 625 12 PG	250	1.89	1		PMD 625 15 PG	250	2.15	1	
PMD 630 12 PG	300	2.05	1		PMD 630 15 PG	300	2.31	1	
PMD 640 12 PG	400	2.38	1		PMD 640 15 PG	400	2.64	1	
PMD 645 12 PG	450	2.91	1		PMD 645 15 PG	450	3.17	1	
PMD 650 12 PG	500	3.11	1		PMD 650 15 PG	500	3.36	1	
PMD 660 12 PG	600	3.50	1		PMD 660 15 PG	600	3.76	1	

### PMD H60



APPLICATIONS  
Cable routing

#### MATERIAL

Steel, strip-galv. acc. to the Sendzimir method  
to TS-EN 10346:2011 (PG)

Available finishes:

HDG-steel, hot-dip galv. to TS-EN ISO 1461:2011 (HDG)  
SS- stainless steel AISI 304L and AISI 316L (SS)  
EP- powder coating in a full range of colours (RAL)

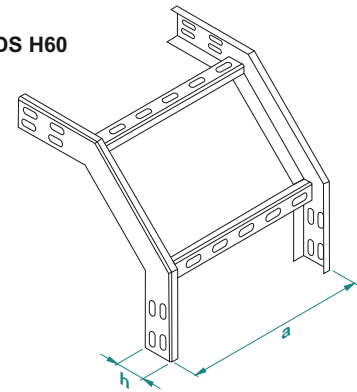
Thickn. (ga) [mm]: **1.2 | 1.5**

## Vertical 90° Outside Bend of Cable Ladder (Stable)

90° Dikey Merdiven Dış Bükey Elemanı - (Sabit) - Арка фиксированная кабельроста, внешняя 90°



PMDS H60

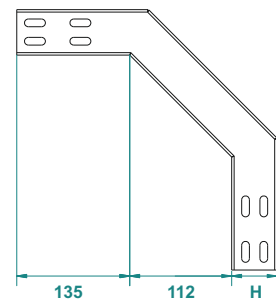


**Important!**  
To instal vertical bend - use 2 pieces of KBE connectors and 4 sets of CFS bolts and nuts (M6 or M8)

Pre - Galvanised

PMDS ...	H60...	1.2mm		
CODE	Width W a mm	kg 1 pc	pcs	
PMDS 610 12 PG	100	0.97	1	
PMDS 615 12 PG	150	1.05	1	
PMDS 620 12 PG	200	1.13	1	
PMDS 625 12 PG	250	1.21	1	
PMDS 630 12 PG	300	1.29	1	
PMDS 640 12 PG	400	1.65	1	
PMDS 645 12 PG	450	1.73	1	
PMDS 650 12 PG	500	1.81	1	
PMDS 660 12 PG	600	1.97	1	

PMDS ...	H60...	1.5mm		
CODE	Width W a mm	kg 1 pc	pcs	
PMDS 610 15 PG	100	1.21	1	
PMDS 615 15 PG	150	1.31	1	
PMDS 620 15 PG	200	1.41	1	
PMDS 625 15 PG	250	1.51	1	
PMDS 630 15 PG	300	1.61	1	
PMDS 640 15 PG	400	2.06	1	
PMDS 645 15 PG	450	2.16	1	
PMDS 650 15 PG	500	2.26	1	
PMDS 660 15 PG	600	2.46	1	

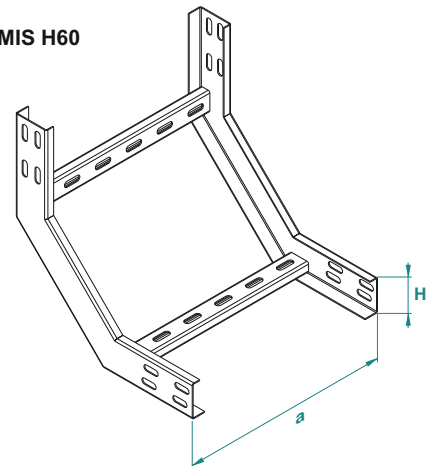


## Vertical 90° Inside Bend of Cable Ladder (Stable)

90° Dikey Merdiven İç Bükey Elemanı - (Sabit) - Арка фиксированная кабельроста, внутренняя 90°



PMIS H60

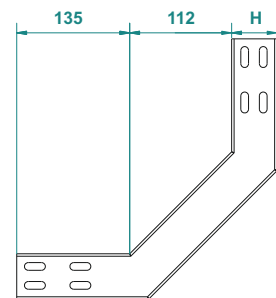


**Important!**  
To instal cable tray - bend use Screw Sets CFS M6 OR CFS M8

Pre - Galvanised

PMIS...	H60...	1.2mm		
CODE	Width W a=b	kg 1 pc	pcs	
PMIS 610 12 PG	100	0.97	1	
PMIS 615 12 PG	150	1.05	1	
PMIS 620 12 PG	200	1.13	1	
PMIS 625 12 PG	250	1.21	1	
PMIS 630 12 PG	300	1.29	1	
PMIS 640 12 PG	400	1.65	1	
PMIS 645 12 PG	450	1.73	1	
PMIS 650 12 PG	500	1.81	1	
PMIS 660 12 PG	600	1.97	1	

PMIS ...	H60...	1.5mm		
CODE	Width W a=b	kg 1 pc	pcs	
PMIS 610 15 PG	100	1.21	1	
PMIS 615 15 PG	150	1.31	1	
PMIS 620 15 PG	200	1.41	1	
PMIS 625 15 PG	250	1.51	1	
PMIS 630 15 PG	300	1.61	1	
PMIS 640 15 PG	400	2.06	1	
PMIS 645 15 PG	450	2.16	1	
PMIS 650 15 PG	500	2.26	1	
PMIS 660 15 PG	600	2.46	1	



**APPLICATIONS**  
Cable routing

**MATERIAL**  
Steel, strip-galv. acc. to the Sendzimir method to TS-EN 10346:2011 (PG)

Available finishes:  
HDG-steel, hot-dip galv. to TS-EN ISO 1461:2011 (HDG)  
SS- stainless steel AISI 304L and AISI 316L (SS)  
EP- powder coating in a full range of colours (RAL)

Thickn. (ga) [mm]: **1.2 1.5**

## Modular Adjustable Cable Ladder Riser

Modüler Merdiven İniş-Çıkış Elemanı - Шарнирный элемент дуги кабельроста



Important!  
To install cable tray - bend use Screw Sets CFS M6 or CFS M8

### Pre - Galvanised

PMMB ...	H60...	1.2mm			PMMB ...	H60...	1.5mm		
CODE	Width W a mm	kg 1 pc	pcs		CODE	Width W a mm	kg 1 pc	pcs	
PMMB 610 12 PG	100	0.46	1		PMMB 610 15 PG	100	0.58	1	
PMMB 615 12 PG	150	0.49	1		PMMB 615 15 PG	150	0.61	1	
PMMB 620 12 PG	200	0.51	1		PMMB 620 15 PG	200	0.64	1	
PMMB 625 12 PG	250	0.54	1		PMMB 625 15 PG	250	0.68	1	
PMMB 630 12 PG	300	0.57	1		PMMB 630 15 PG	300	0.71	1	
PMMB 640 12 PG	400	0.62	1		PMMB 640 15 PG	400	0.78	1	
PMMB 645 12 PG	450	0.65	1		PMMB 645 15 PG	450	0.81	1	
PMMB 650 12 PG	500	0.67	1		PMMB 650 15 PG	500	0.84	1	
PMMB 660 12 PG	600	0.72	1		PMMB 660 15 PG	600	0.91	1	

## Seperator

Seperator - Перегородка



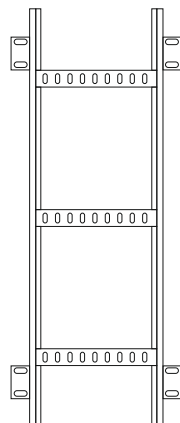
To Install Seperator use CFS bolts and nuts. ( M6 or M8 )

### Pre - Galvanised

SEP 1 ... H45	1.0mm			SEP 1 ... H45	1.5mm		
CODE	Length L mm	kg 1m	pcs	CODE	Length L mm	kg 1m	pcs
SEP 145 10 PG	3000	0.47	1	SEP 145 15 PG	3000	0.69	1

## Wall Fixing Bracket

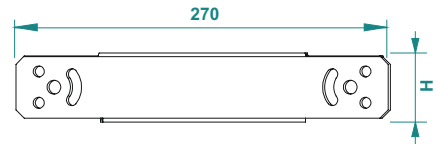
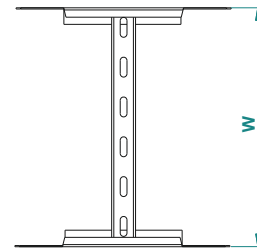
Duvara Tespit Elemanı - Стеновое крепление лотка



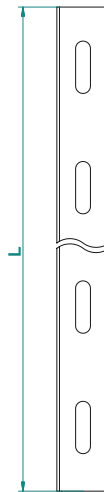
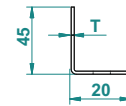
### Pre - Galvanised

DKE				
CODE	Height H mm	Length L mm	kg 1 pc	pcs
DKE 90 PG	90	70	0.14	1

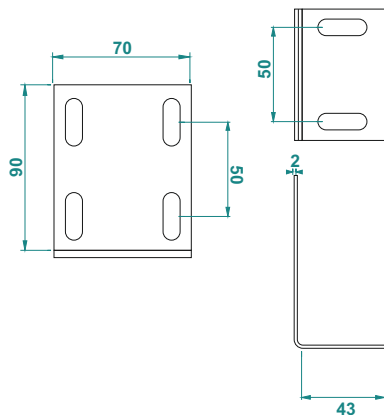
### PMMB H60



### SEP 1 H45



### DKE



APPLICATIONS  
Cable routing

### MATERIAL

Steel, strip-galv. acc. to the Sendzimir method to TS-EN 10346:2011 (PG)

Available finishes:

HDG-steel, hot-dip galv. to TS-EN ISO 1461:2011 (HDG)

SS- stainless steel AISI 304L and AISI 316L (SS)

EP- powder coating in a full range of colours (RAL)

Thickn. (ga) [mm]: 1.2 1.5

## Cable Ladder

Kablo Merdiveni - Кабельности (Лестничные лотки)



**Important!**  
Joining cable tray sections together only through the use of couplers 2 pcs for 1 Length  
To install cable tray - straight use Screw Sets CFS M6 or CFS M8

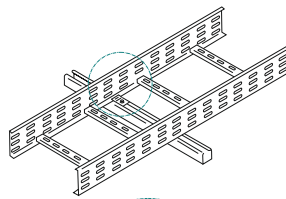
### Pre - Galvanised

PKM ...	H80...	1.2mm		
CODE	Width W mm	Length L mm	KG 1 mt	pcs
PKM 810 12 PG	100	3000	2.06	2
PKM 815 12 PG	150	3000	2.16	2
PKM 820 12 PG	200	3000	2.26	2
PKM 825 12 PG	250	3000	2.36	2
PKM 830 12 PG	300	3000	2.46	2
PKM 840 12 PG	400	3000	2.66	2
PKM 845 12 PG	450	3000	2.76	2
PKM 850 12 PG	500	3000	2.85	2
PKM 860 12 PG	600	3000	3.05	2

PKM ...	H80...	1.5mm		
CODE	Width W mm	Length L mm	KG 1 mt	pcs
PKM 815 15 PG	100	3000	2.58	2
PKM 815 15 PG	150	3000	2.70	2
PKM 820 15 PG	200	3000	2.83	2
PKM 825 15 PG	250	3000	2.95	2
PKM 830 15 PG	300	3000	3.07	2
PKM 840 15 PG	400	3000	3.32	2
PKM 845 15 PG	450	3000	3.44	2
PKM 850 15 PG	500	3000	3.57	2
PKM 860 15 PG	600	3000	3.82	2

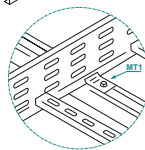
## Fixing Unit for Cable Ladder

Merdiven Sabitleme Elemani - Фиксатор кабельности



### Pre - Galvanised

MT/1...		
CODE	KG 1 pc	pcs
MT/1 PG	0.036	100



## Straight Connector (Coupler)

Birlestirme Elemani - Прямой соединитель



To Install one length ;use 2 pieces of KBE connector 8 sets of CFS bolts and nuts. (M6 or M8)

### Pre - Galvanised

KBE 2 ... H80	1.2mm		
CODE	Length L mm	KG 1pc	pcs
KBE 280 12 PG	175	0.12	100

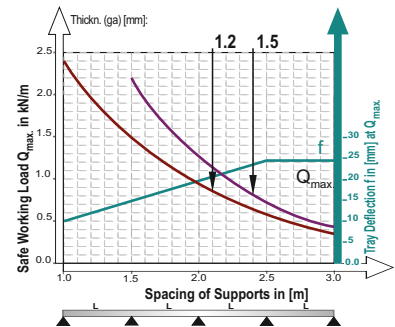
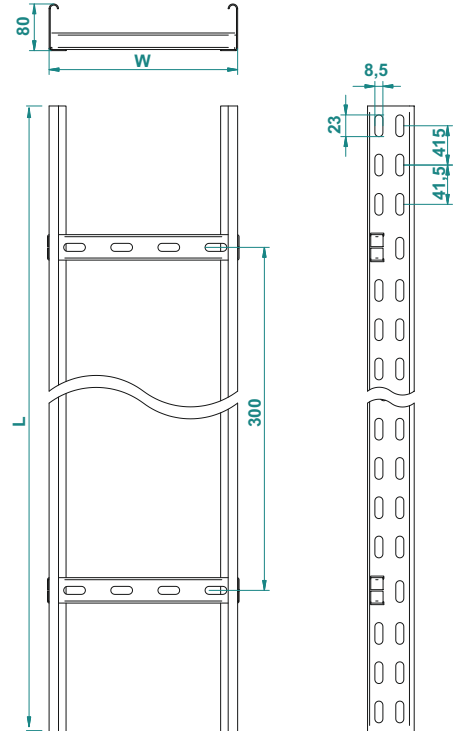
KBE 2 ... H80	1.5mm		
CODE	Length L mm	KG 1 pc	pcs
KBE 280 15 PG	0.15	0.11	100

### Electro - Galvanized

CFS M6	M6		
CODE	Size mm	Length L mm	KG 1Set pcs
CFS M6 EG	M6	15	0.008 500

CFS M8	M8		
CODE	Size mm	Length L mm	KG 1Set pcs
CFS M8 EG	M8	15	0.014 500

## PKM H80

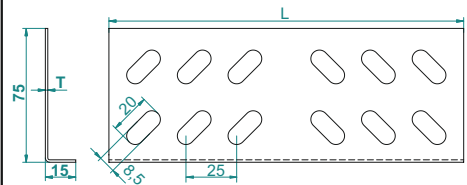


This diagram comply with IEC 61537 with connection to 1/5 of the span and the end span = 0,8x the span

Q = max. admissible load (kg/m)  
L = support distance (m)  
f = Deflection (mm) / Max. deflection = L/100  
Safety co-efficient = 1.5

Width	Usable Cross-Section
50	28 cm <sup>2</sup>
100	58 cm <sup>2</sup>
150	88 cm <sup>2</sup>
200	118 cm <sup>2</sup>
300	178 cm <sup>2</sup>
400	238 cm <sup>2</sup>
500	298 cm <sup>2</sup>
600	358 cm <sup>2</sup>

## KBE 2 H80



M6x15 Round head squire neck bolt & M6 Flanged nut

### APPLICATIONS

Cable routing

### MATERIAL

Steel, strip-galv. acc. to the Sendzimir method to TS-EN 10346:2011 (PG)

Available finishes:

HDG-steel, hot-dip galv. to TS-EN ISO 1461:2011 (HDG)  
SS- stainless steel AISI 304L and AISI 316L (SS)  
EP- powder coating in a full range of colours (RAL)

Thickn. (ga) [mm]: 1.2 1.5

## 90° Horizontal Bend of Cable Ladder

90° Merdiven Yatay Dönüş Elemanı - Угол кабельроста горизонтальный 90°



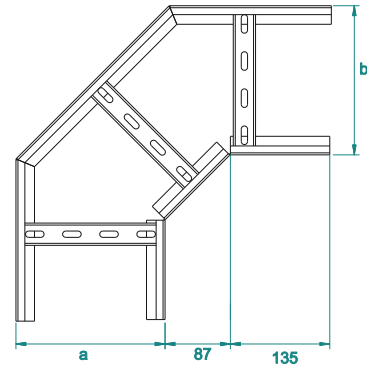
**Important!**  
To install cable tray - bend use Screw Sets CFS M6 or CFS M8

Pre - Galvanised

PM90 ...	H80...	1.2mm		
CODE	Width W a=b	kg 1 pc	kg 1 pc	pcs
PM90 810 12 PG	100	1.08		1
PM90 815 12 PG	150	1.27		1
PM90 820 12 PG	200	1.46		1
PM90 825 12 PG	250	1.65		1
PM90 830 12 PG	300	1.85		1
PM90 840 12 PG	400	2.23		1
PM90 845 12 PG	450	2.43		1
PM90 850 12 PG	500	2.62		1
PM90 860 12 PG	600	3.00		1

PM90 ...	H80...	1.5mm		
CODE	Width W a=b	kg 1 pc	kg 1 pc	pcs
PM90 810 15 PG	100	1.35		1
PM90 815 15 PG	150	1.58		1
PM90 820 15 PG	200	1.83		1
PM90 825 15 PG	250	2.07		1
PM90 830 15 PG	300	2.31		1
PM90 840 15 PG	400	2.79		1
PM90 845 15 PG	450	3.04		1
PM90 850 15 PG	500	3.27		1
PM90 860 15 PG	600	3.76		1

PM90 H80



## 45° Horizontal Bend of Cable Ladder

45° Merdiven Yatay Dönüş Elemanı - Угол кабельроста горизонтальный 45°



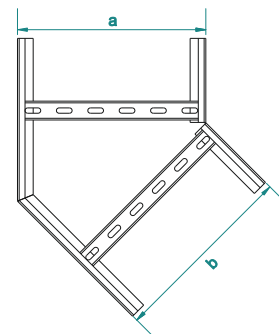
**Important!**  
To instal cable tray - bend use Screw Sets CFS M6 or CFS M8

Pre - Galvanised

PM45 ...	H80...	1.2mm		
CODE	Width W a=b	kg 1 pc	kg 1 pc	pcs
PM45 810 12 PG	100	0.96		1
PM45 815 12 PG	150	1.08		1
PM45 820 12 PG	200	1.19		1
PM45 825 12 PG	250	1.30		1
PM45 830 12 PG	300	1.42		1
PM45 840 12 PG	400	1.64		1
PM45 845 12 PG	450	1.75		1
PM45 850 12 PG	500	1.86		1
PM45 860 12 PG	600	2.08		1

PM45 ...	H80...	1.5mm		
CODE	Width W a=b	kg 1 pc	kg 1 pc	pcs
PM45 810 15 PG	100	1.21		1
PM45 815 15 PG	150	1.35		1
PM45 820 15 PG	200	1.49		1
PM45 825 15 PG	250	1.63		1
PM45 830 15 PG	300	1.77		1
PM45 840 15 PG	400	2.04		1
PM45 845 15 PG	450	2.19		1
PM45 850 15 PG	500	2.33		1
PM45 860 15 PG	600	2.60		1

PM45 H80



**APPLICATIONS**  
Cable routing

**MATERIAL**

Steel, strip-galv. acc. to the Sendzimir method to TS-EN 10346:2011 (PG)

Available finishes:

HDG-steel, hot-dip galv. to TS-EN ISO 1461:2011 (HDG)  
SS- stainless steel AISI 304L and AISI 316L (SS)  
EP- powder coating in a full range of colours (RAL)

Thickn. (ga) [mm]: **1.2 | 1.5**

## Tee Horizontal Bend of Cable Ladder

"T" Merdiven Yatay Dönüş Elemanı - T-отвод кабельроста горизонтальный

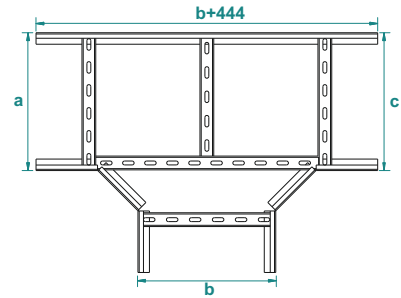


Important!  
To instal cable tray - bend use Screw Sets CFS M6  
OR CFS M8

Pre - Galvanised

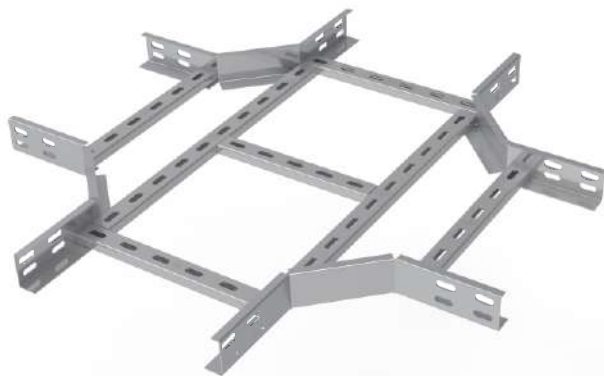
PMT ...		H80...		1.2mm	PMT ...		H80...		1.5mm
CODE	Width W a=b=c	KG 1 pc	pcs		CODE	Width W a=b=c	KG 1 pc	pcs	
PMT 810 12 PG	100	1.37	1		PMT 810 15 PG	100	1.66	1	
PMT 815 12 PG	150	1.54	1		PMT 815 15 PG	150	1.84	1	
PMT 820 12 PG	200	1.70	1		PMT 820 15 PG	200	1.2	1	
PMT 825 12 PG	250	2.11	1		PMT 825 15 PG	250	2.44	1	
PMT 830 12 PG	300	2.30	1		PMT 830 15 PG	300	2.64	1	
PMT 840 12 PG	400	2.99	1		PMT 840 15 PG	400	3.35	1	
PMT 845 12 PG	450	3.23	1		PMT 845 15 PG	450	3.60	1	
PMT 850 12 PG	500	3.46	1		PMT 850 15 PG	500	3.84	1	
PMT 860 12 PG	600	3.92	1		PMT 860 15 PG	600	4.32	1	

## PMT H80



## Cross Bend of Cable Ladder

Dörtlü Merdiven Dönüş Elemanı - Крестовина кабельроста

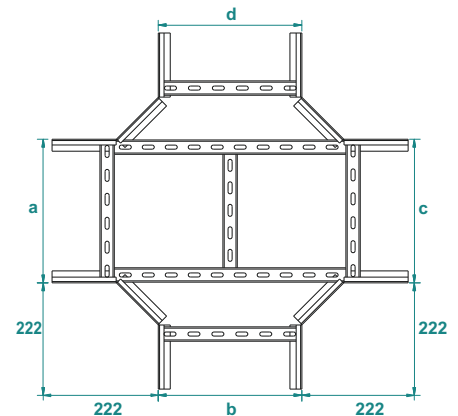


Important!  
To instal cable tray - bend use Screw Sets CFS M6  
OR CFS M8

Pre - Galvanised

PMD ...		H80...		1.2mm	PMD ...		H80...		1.5mm
CODE	Width W a=b=c=d	KG 1 pc	pcs		CODE	Width W a=b=c=d	KG 1 pc	pcs	
PMD 810 12 PG	100	1.67	1		PMD 810 15 PG	100	2.02	1	
PMD 815 12 PG	150	1.82	1		PMD 815 15 PG	150	2.17	1	
PMD 820 12 PG	200	1.97	1		PMD 820 15 PG	200	2.32	1	
PMD 825 12 PG	250	2.38	1		PMD 825 15 PG	250	2.73	1	
PMD 830 12 PG	300	2.56	1		PMD 830 15 PG	300	2.91	1	
PMD 840 12 PG	400	2.93	1		PMD 840 15 PG	400	3.29	1	
PMD 845 12 PG	450	3.53	1		PMD 845 15 PG	450	3.88	1	
PMD 850 12 PG	500	3.75	1		PMD 850 15 PG	500	4.10	1	
PMD 860 12 PG	600	4.19	1		PMD 860 15 PG	600	4.55	1	

## PMD H80



APPLICATIONS  
Cable routing

### MATERIAL

Steel, strip-galv. acc. to the Sendzimir method  
to TS-EN 10346:2011 (PG)

Available finishes:

HDG-steel, hot-dip galv. to TS-EN ISO 1461:2011 (HDG)  
SS- stainless steel AISI 304L and AISI 316L (SS)  
EP- powder coating in a full range of colours (RAL)

Thickn. (ga) [mm]: **1.2 1.5**



## Vertical 90° Outside Bend of Cable Ladder (Stable)

90° Dikey Merdiven Dış Bükey Elemanı - (Sabit) - Арка фиксированная кабельроста, внешняя 90°

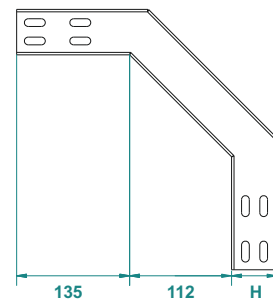
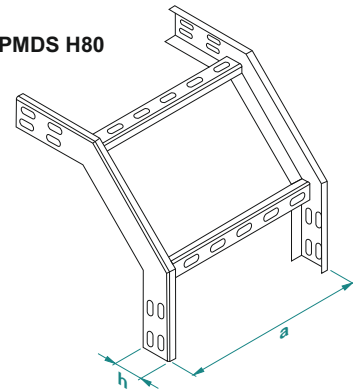


**Important!**  
To instal vertical bend - use 2 pieces of KBE connectors and 4 sets of CFS bolts and nuts (M6 or M8)

Pre - Galvanised

PMDS ...	H80...	1.2mm			PMDS ...	H80...	1.5mm		
CODE	Width W a mm	Kg 1 pc	pcs		CODE	Width W a mm	Kg 1 pc	pcs	
PMDS 810 12 PG	100	1.29	1		PMDS 810 15 PG	100	1.62	1	
PMDS 815 12 PG	150	1.38	1		PMDS 815 15 PG	150	1.73	1	
PMDS 820 12 PG	200	1.47	1		PMDS 820 15 PG	200	1.84	1	
PMDS 825 12 PG	250	1.56	1		PMDS 825 15 PG	250	1.95	1	
PMDS 830 12 PG	300	1.65	1		PMDS 830 15 PG	300	2.06	1	
PMDS 840 12 PG	400	2.11	1		PMDS 840 15 PG	400	2.64	1	
PMDS 845 12 PG	450	2.20	1		PMDS 845 15 PG	450	2.75	1	
PMDS 850 12 PG	500	2.29	1		PMDS 850 15 PG	500	2.86	1	
PMDS 860 12 PG	600	2.46	1		PMDS 860 15 PG	600	3.08	1	

PMDS H80



## Vertical 90° Inside Bend of Cable Ladder (Stable)

90° Dikey Merdiven İç Bükey Elemanı - (Sabit) - Арка фиксированная кабельроста, внутренняя 90°

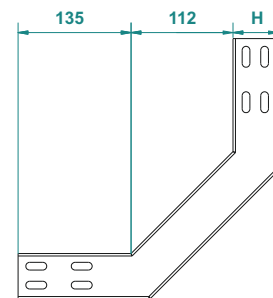
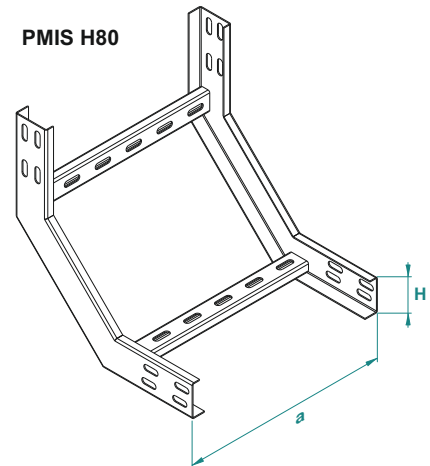


**Important!**  
To instal cable tray - bend use Screw Sets CFS M6 OR CFS M8

Pre - Galvanised

PMIS...	H80...	1.2mm			PMIS ...	H80...	1.5mm		
CODE	Width W a mm	Kg 1 pc	pcs		CODE	Width W a mm	Kg 1 pc	pcs	
PMIS 810 12 PG	100	1.29	1		PMIS 810 15 PG	100	1.62	1	
PMIS 815 12 PG	150	1.38	1		PMIS 815 15 PG	150	1.73	1	
PMIS 820 12 PG	200	1.47	1		PMIS 820 15 PG	200	1.84	1	
PMIS 825 12 PG	250	1.56	1		PMIS 825 15 PG	250	1.95	1	
PMIS 830 12 PG	300	1.65	1		PMIS 830 15 PG	300	2.06	1	
PMIS 840 12 PG	400	2.11	1		PMIS 840 15 PG	400	2.64	1	
PMIS 845 12 PG	450	2.20	1		PMIS 845 15 PG	450	2.75	1	
PMIS 850 12 PG	500	2.29	1		PMIS 850 15 PG	500	2.86	1	
PMIS 860 12 PG	600	2.46	1		PMIS 860 15 PG	600	3.08	1	

PMIS H80



**APPLICATIONS**  
Cable routing

**MATERIAL**

Steel, strip-galv. acc. to the Sendzimir method to TS-EN 10346:2011 (PG)

Available finishes:

HDG-steel, hot-dip galv. to TS-EN ISO 1461:2011 (HDG)  
SS- stainless steel AISI 304L and AISI 316L (SS)  
EP- powder coating in a full range of colours (RAL)

Thickn. (ga) [mm]: **1.2 | 1.5**

## Modular Adjustable Cable Ladder Riser

Modüler Merdiven İniş-Çıkış Elemanı - Шарнирный элемент дуги кабельроста

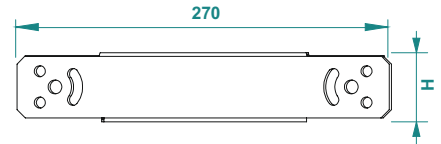
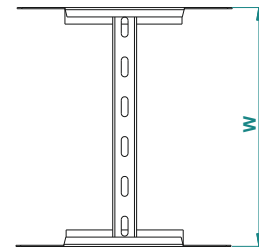


**Important!**  
To install cable tray - bend use Screw Sets CFS M6 or CFS M8

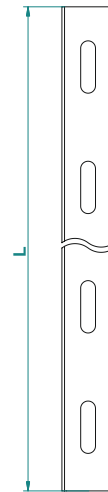
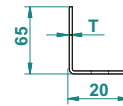
### Pre - Galvanised

PMMB ...	H80...	1.2mm		PMMB ...	H80...	1.5mm	
CODE	Width W a mm	KG 1 pc	pcs	CODE	Width W a mm	KG 1 pc	pcs
PMMB 810 12 PG	100	0.62	1	PMMB 810 15 PG	100	0.78	1
PMMB 815 12 PG	150	0.65	1	PMMB 815 15 PG	150	0.81	1
PMMB 820 12 PG	200	0.68	1	PMMB 820 15 PG	200	0.85	1
PMMB 825 12 PG	250	0.71	1	PMMB 825 15 PG	250	0.89	1
PMMB 830 12 PG	300	0.74	1	PMMB 830 15 PG	300	0.92	1
PMMB 840 12 PG	400	0.80	1	PMMB 840 15 PG	400	1.00	1
PMMB 845 12 PG	450	0.83	1	PMMB 845 15 PG	450	1.04	1
PMMB 850 12 PG	500	0.85	1	PMMB 850 15 PG	500	1.07	1
PMMB 860 12 PG	600	0.91	1	PMMB 860 15 PG	600	1.15	1

### PMMB H80



### SEP 1 H65



## Seperator

Seperatör - Перегородка

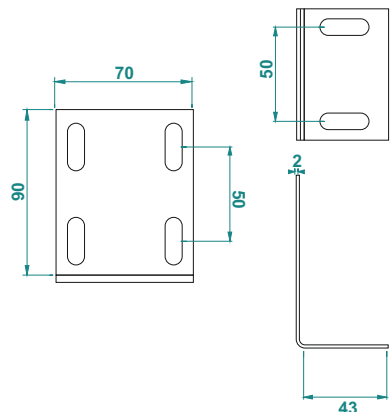


To Install Seperator use CFS bolts and nuts. ( M6 or M8 )

### Pre - Galvanised

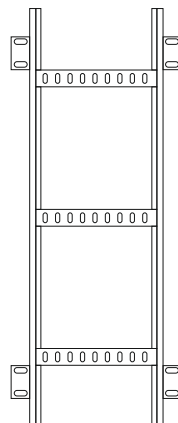
SEP 1 ... H65	1.0mm	SEP 1 ... H65	1.5mm				
CODE	Length L mm	KG 1m	pcs	CODE	Length L mm	KG 1m	pcs
SEP 165 10 PG	3000	0.60	1	SEP 165 15 PG	3000	0.91	1

### DKE



## Wall Fixing Bracket

Duvara Tespit Elemanı - Стеновое крепление лотка



### Pre - Galvanised

DKE				
CODE	Height H mm	Length L mm	KG 1 pc	pcs
DKE 90 PG	90	70	0.14	1

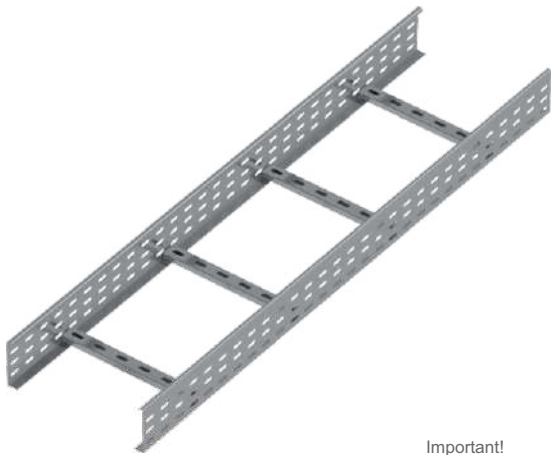
**APPLICATIONS**  
Cable routing

**MATERIAL**  
Steel, strip-galv. acc. to the Sendzimir method to TS-EN 10346:2011 (PG)  
Available finishes:  
HDG-steel, hot-dip galv. to TS-EN ISO 1461:2011 (HDG)  
SS- stainless steel AISI 304L and AISI 316L (SS)  
EP- powder coating in a full range of colours (RAL)

Thickn. (ga) [mm]: 1.2 1.5

## Cable Ladder

Kablo Merdiveni - Кабельности (Лестничные лотки)



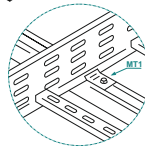
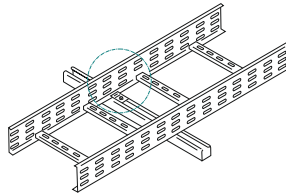
**Important!**  
Joining cable tray sections together only through the use of couplers 2 pcs for 1 Length  
To install cable tray - straight use Screw Sets CFS M6 or CFS M8

### Pre - Galvanised

PKM ...		H100...		1.2mm		PKM ...		H100...		1.5mm				
CODE	Width W mm	Length L mm	KG 1 mt	pcs	CODE	Width W mm	Length L mm	KG 1 mt	pcs	CODE	Width W mm	Length L mm	KG 1 mt	pcs
PKM 110 12 PG	100	3000	2.40	2	PKM 110 15 PG	100	3000	3.00	2	PKM 110 12 PG	100	3000	2.40	2
PKM 115 12 PG	150	3000	2.50	2	PKM 115 15 PG	150	3000	3.13	2	PKM 115 12 PG	150	3000	2.50	2
PKM 120 12 PG	200	3000	2.60	2	PKM 120 15 PG	200	3000	3.25	2	PKM 120 12 PG	200	3000	2.60	2
PKM 125 12 PG	250	3000	2.70	2	PKM 125 15 PG	250	3000	3.37	2	PKM 125 12 PG	250	3000	2.70	2
PKM 130 12 PG	300	3000	2.80	2	PKM 130 15 PG	300	3000	3.50	2	PKM 130 12 PG	300	3000	2.80	2
PKM 140 12 PG	400	3000	3.00	2	PKM 140 15 PG	400	3000	3.74	2	PKM 140 12 PG	400	3000	3.00	2
PKM 145 12 PG	450	3000	3.09	2	PKM 145 15 PG	450	3000	3.87	2	PKM 145 12 PG	450	3000	3.09	2
PKM 150 12 PG	500	3000	3.19	2	PKM 150 15 PG	500	3000	3.99	2	PKM 150 12 PG	500	3000	3.19	2
PKM 160 12 PG	600	3000	3.39	2	PKM 160 15 PG	600	3000	4.24	2	PKM 160 12 PG	600	3000	3.39	2

## Fixing Unit for Cable Ladder

Merdiven Sabitleme Elemanı - Фиксатор кабельности



### Pre - Galvanised

MT/1...		kg	pcs
CODE	L mm	1 pc	pcs
MT/1 PG	0.036	100	

## Straight Connector (Coupler)

Birleştirme Elemanı - Прямой соединитель



To Install one length ; use 2 pieces of KBE connector 8 sets of CFS bolts and nuts. (M6 or M8)

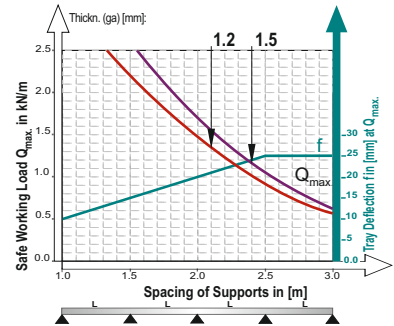
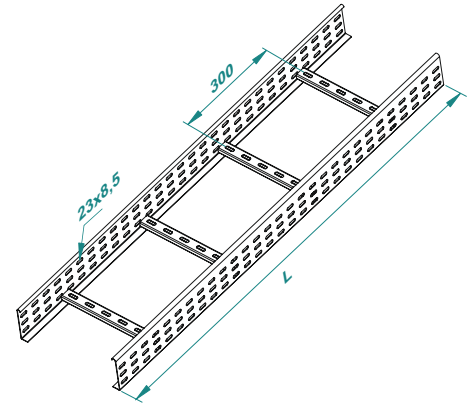
### Pre - Galvanised

KBE 2 ... H100		1.2mm		KBE 2 ... H100		1.5mm	
CODE	Length L mm	KG 1pc	pcs	CODE	Length L mm	KG 1 pc	pcs
KBE 210 12 PG	175	0.14	100	KBE 210 15 PG	0,15	0.18	100

### Electro - Galvanized

CFS M6		M6		CFS M8		M8			
CODE	Size mm	Length L mm	KG 1Set	pcs	CODE	Size mm	Length L mm	KG 1Set	pcs
CFS M6 EG	M6	15	0,008	500	CFS M8 EG	M8	15	0,014	500

## PKM H100

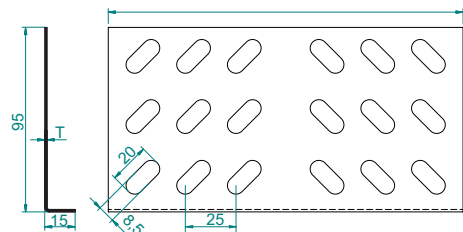


This diagram comply with IEC 61537 with connection to 1/5 of the span and the end span =0,8x the span

Q = max. admissible load (kg/m)  
L = support distance (m)  
f = Deflection (mm) / Max. deflection = L/100  
Safety co-efficient = 1.5

Width	Usable Cross-Section
50	28 cm <sup>2</sup>
100	58 cm <sup>2</sup>
150	88 cm <sup>2</sup>
200	118 cm <sup>2</sup>
300	178 cm <sup>2</sup>
400	238 cm <sup>2</sup>
500	298 cm <sup>2</sup>
600	358 cm <sup>2</sup>

## KBE 2 H100



M6x15 Round head squire neck bolt & M6 Flanged nut

### APPLICATIONS

Cable routing

### MATERIAL

Steel, strip-galv. acc. to the Sendzimir method to TS-EN 10346:2011 (PG)

Available finishes:

HDG-steel, hot-dip galv. to TS-EN ISO 1461:2011 (HDG)  
SS- stainless steel AISI 304L and AISI 316L (SS)  
EP- powder coating in a full range of colours (RAL)

Thickn. (ga) [mm]: 1.2 | 1.5

## 90° Horizontal Bend of Cable Ladder

90° Merdiven Yatay Dönüş Elemanı - Угол кабельроста горизонтальный 90°



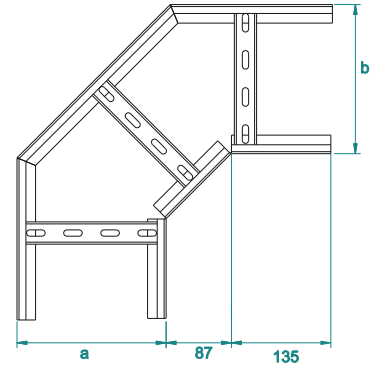
**Important!**  
To install cable tray - bend use Screw Sets CFS M6 or CFS M8

Pre - Galvanised

PM90 ...	H100...	1.2mm		
CODE	Width W a=b	kg 1 pc	kg 1 pc	pcs
PM90 110 12 PG	100	1.24	1	1
PM90 115 12 PG	150	1.46	1	1
PM90 120 12 PG	200	1.66	1	1
PM90 125 12 PG	250	1.88	1	1
PM90 130 12 PG	300	2.09	1	1
PM90 140 12 PG	400	2.51	1	1
PM90 145 12 PG	450	2.73	1	1
PM90 150 12 PG	500	2.93	1	1
PM90 160 12 PG	600	3.36	1	1

PM90 ...	H80...	1.5mm		
CODE	Width W a=b	kg 1 pc	kg 1 pc	pcs
PM90 110 15 PG	100	1.55	1	1
PM90 115 15 PG	150	1.82	1	1
PM90 120 15 PG	200	2.08	1	1
PM90 125 15 PG	250	2.35	1	1
PM90 130 15 PG	300	2.61	1	1
PM90 140 15 PG	400	3.14	1	1
PM90 145 15 PG	450	3.40	1	1
PM90 150 15 PG	500	3.67	1	1
PM90 160 15 PG	600	4.20	1	1

PM90 H100



## 45° Horizontal Bend of Cable Ladder

45° Merdiven Yatay Dönüş Elemanı - Угол кабельроста горизонтальный 45°



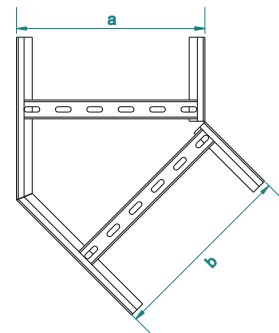
**Important!**  
To instal cable tray - bend use Screw Sets CFS M6 or CFS M8

Pre - Galvanised

PM45 ...	H100...	1.2mm		
CODE	Width W a=b	kg 1 pc	kg 1 pc	pcs
PM45 110 12 PG	100	1.13	1	1
PM45 115 12 PG	150	1.24	1	1
PM45 120 12 PG	200	1.36	1	1
PM45 125 12 PG	250	1.48	1	1
PM45 130 12 PG	300	1.61	1	1
PM45 140 12 PG	400	1.85	1	1
PM45 145 12 PG	450	1.97	1	1
PM45 150 12 PG	500	2.09	1	1
PM45 160 12 PG	600	2.33	1	1

PM45 ...	H100...	1.5mm		
CODE	Width W a=b	kg 1 pc	kg 1 pc	pcs
PM45 110 15 PG	100	1.41	1	1
PM45 115 15 PG	150	1.55	1	1
PM45 120 15 PG	200	1.71	1	1
PM45 125 15 PG	250	1.86	1	1
PM45 130 15 PG	300	2.01	1	1
PM45 140 15 PG	400	2.31	1	1
PM45 145 15 PG	450	2.46	1	1
PM45 150 15 PG	500	2.61	1	1
PM45 160 15 PG	600	2.92	1	1

PM45 H100



**APPLICATIONS**  
Cable routing

**MATERIAL**  
Steel, strip-galv. acc. to the Sendzimir method to TS-EN 10346:2011 (PG)

Available finishes:  
HDG-steel, hot-dip galv. to TS-EN ISO 1461:2011 (HDG)  
SS- stainless steel AISI 304L and AISI 316L (SS)  
EP- powder coating in a full range of colours (RAL)

Thickn. (ga) [mm]: **1.2 1.5**

## Tee Horizontal Bend of Cable Ladder

"T" Merdiven Yatay Dönüş Elemanı - T-отвод кабельроста горизонтальный

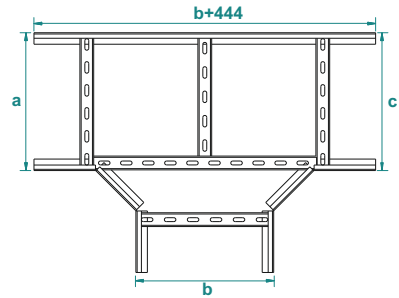


Important!  
To instal cable tray - bend use Screw Sets CFS M6  
OR CFS M8

Pre - Galvanised

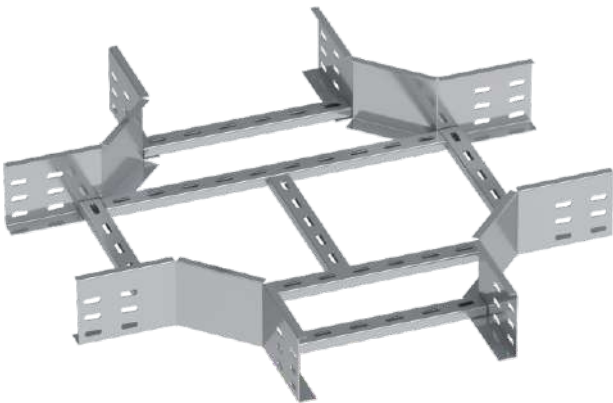
PMT ...		H100...		1.2mm	PMT ...		H100...		1.5mm
CODE	Width W a=b=c	Kg 1 pc	pcs		CODE	Width W a=b=c	Kg 1 pc	pcs	
PMT 110 12 PG	100	1.59	1		PMT 110 15 PG	100	1.93	1	
PMT 115 12 PG	150	1.76	1		PMT 115 15 PG	150	2.11	1	
PMT 120 12 PG	200	1.92	1		PMT 120 15 PG	200	2.29	1	
PMT 125 12 PG	250	2.35	1		PMT 125 15 PG	250	2.73	1	
PMT 130 12 PG	300	2.55	1		PMT 130 15 PG	300	2.94	1	
PMT 140 12 PG	400	3.25	1		PMT 140 15 PG	400	3.68	1	
PMT 145 12 PG	450	3.50	1		PMT 145 15 PG	450	3.93	1	
PMT 150 12 PG	500	3.74	1		PMT 150 15 PG	500	4.19	1	
PMT 160 12 PG	600	4.22	1		PMT 160 15 PG	600	4.69	1	

PMT H100



## Cross Bend of Cable Ladder

Dörtlü Merdiven Dönüş Elemanı - Крестовина кабельроста

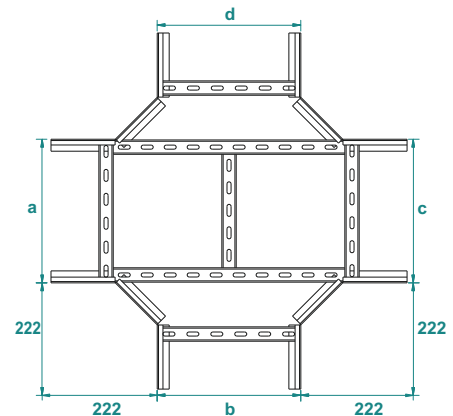


Important!  
To instal cable tray - bend use Screw Sets CFS M6  
OR CFS M8

Pre - Galvanised

PMD ...		H100...		1.2mm	PMD ...		H100...		1.5mm
CODE	Width W a=b=c=d	Kg 1 pc	pcs		CODE	Width W a=b=c=d	Kg 1 pc	pcs	
PMD 110 12 PG	100	1.93	1		PMD 110 15 PG	100	2.34	1	
PMD 115 12 PG	150	2.07	1		PMD 115 15 PG	150	2.49	1	
PMD 120 12 PG	200	2.22	1		PMD 120 15 PG	200	2.64	1	
PMD 125 12 PG	250	2.63	1		PMD 125 15 PG	250	3.04	1	
PMD 130 12 PG	300	2.82	1		PMD 130 15 PG	300	3.23	1	
PMD 140 12 PG	400	3.19	1		PMD 140 15 PG	400	3.60	1	
PMD 145 12 PG	450	3.78	1		PMD 145 15 PG	450	4.19	1	
PMD 150 12 PG	500	4.00	1		PMD 150 15 PG	500	4.42	1	
PMD 160 12 PG	600	4.45	1		PMD 160 15 PG	600	4.86	1	

PMD H100



APPLICATIONS  
Cable routing

### MATERIAL

Steel, strip-galv. acc. to the Sendzimir method to TS-EN 10346:2011 (PG)

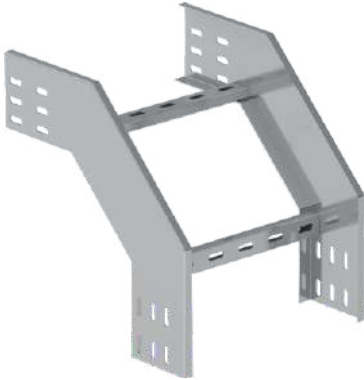
Available finishes:

HDG-steel, hot-dip galv. to TS-EN ISO 1461:2011 (HDG)  
SS- stainless steel AISI 304L and AISI 316L (SS)  
EP- powder coating in a full range of colours (RAL)

Thickn. (ga) [mm]: **1.2 | 1.5**

## Vertical 90° Outside Bend of Cable Ladder (Stable)

90° Dikey Merdiven Dış Bükey Elemanı - (Sabit) - Арка фиксированная кабельроста, внешняя 90°



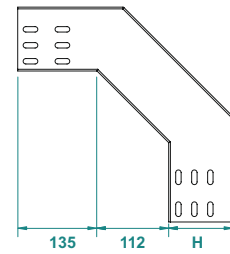
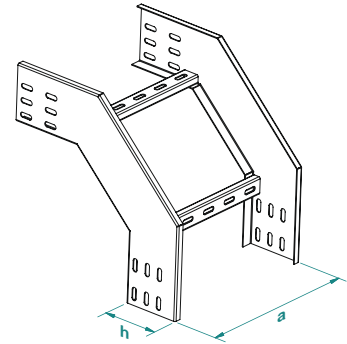
**Important!**  
To instal vertical bend - use 2 pieces of KBE connectors and 4 sets of CFS bolts and nuts (M6 or M8)

Pre - Galvanised

PMDS ...	H100...	1.2mm		
CODE	Width W a mm	Kg 1 pc	pcs	
PMDS 110 12 PG	100	1.50	1	
PMDS 115 12 PG	150	1.59	1	
PMDS 120 12 PG	200	1.68	1	
PMDS 125 12 PG	250	1.77	1	
PMDS 130 12 PG	300	1.86	1	
PMDS 140 12 PG	400	2.37	1	
PMDS 145 12 PG	450	2.46	1	
PMDS 150 12 PG	500	2.55	1	
PMDS 160 12 PG	600	2.72	1	

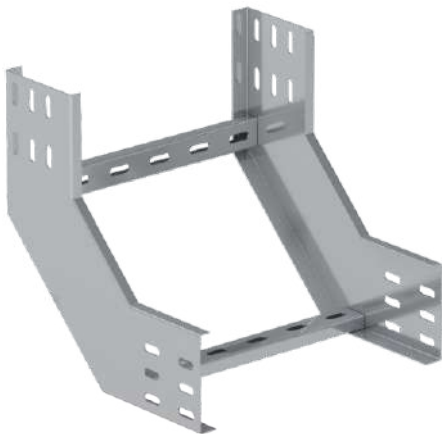
PMDS ...	H100...	1.5mm		
CODE	Width W a mm	Kg 1 pc	pcs	
PMDS 110 15 PG	100	1.88	1	
PMDS 115 15 PG	150	1.99	1	
PMDS 120 15 PG	200	2.10	1	
PMDS 125 15 PG	250	2.21	1	
PMDS 130 15 PG	300	2.32	1	
PMDS 140 15 PG	400	2.96	1	
PMDS 145 15 PG	450	3.07	1	
PMDS 150 15 PG	500	3.18	1	
PMDS 160 15 PG	600	3.41	1	

PMDS H100



## Vertical 90° Inside Bend of Cable Ladder (Stable)

90° Dikey Merdiven İç Bükey Elemanı - (Sabit) - Арка фиксированная кабельроста, внутренняя 90°



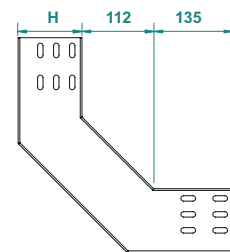
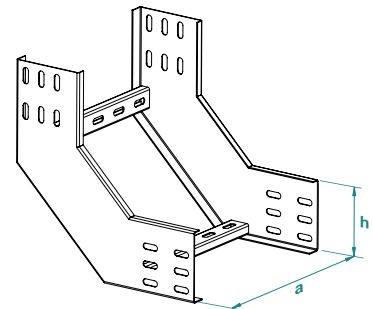
**Important!**  
To instal cable tray - bend use Screw Sets CFS M6 OR CFS M8

Pre - Galvanised

PMIS...	H100...	1.2mm		
CODE	Width W a=b	Kg 1 pc	pcs	
PMIS 110 12 PG	100	1.50	1	
PMIS 115 12 PG	150	1.59	1	
PMIS 120 12 PG	200	1.68	1	
PMIS 125 12 PG	250	1.77	1	
PMIS 130 12 PG	300	1.86	1	
PMIS 140 12 PG	400	2.37	1	
PMIS 145 12 PG	450	2.46	1	
PMIS 150 12 PG	500	2.55	1	
PMIS 160 12 PG	600	2.72	1	

PMIS ...	H100...	1.5mm		
CODE	Width W a=b	Kg 1 pc	pcs	
PMIS 110 15 PG	100	1.88	1	
PMIS 115 15 PG	150	1.99	1	
PMIS 120 15 PG	200	2.10	1	
PMIS 125 15 PG	250	2.21	1	
PMIS 130 15 PG	300	2.32	1	
PMIS 140 15 PG	400	2.96	1	
PMIS 145 15 PG	450	3.07	1	
PMIS 150 15 PG	500	3.18	1	
PMIS 160 15 PG	600	3.41	1	

PMIS H100



**APPLICATIONS**  
Cable routing

**MATERIAL**  
Steel, strip-galv. acc. to the Sendzimir method to TS-EN 10346:2011 (PG)

Available finishes:  
HDG-steel, hot-dip galv. to TS-EN ISO 1461:2011 (HDG)  
SS- stainless steel AISI 304L and AISI 316L (SS)  
EP- powder coating in a full range of colours (RAL)

Thickn. (ga) [mm]: **1.2 1.5**

## Modular Adjustable Cable Ladder Riser

Modüler Merdiven İniş - Çıkış Elemanı - Шарнирный элемент дуги кабельроста



**Important!**  
To install cable tray - bend use Screw Sets CFS M6 or CFS M8

Pre - Galvanised

PMMB ...	H100...	1.2mm				PMMB ...	H100...	1.5mm			
CODE	Width W a mm	kg 1 pc	pcs				CODE	Width W a mm	kg 1 pc	pcs	
PMMB 110 12 PG	100	0.72	1				PMMB 110 15 PG	100	0.90	1	
PMMB 115 12 PG	150	0.75	1				PMMB 115 15 PG	150	0.94	1	
PMMB 120 12 PG	200	0.78	1				PMMB 120 15 PG	200	0.98	1	
PMMB 125 12 PG	250	0.81	1				PMMB 125 15 PG	250	1.01	1	
PMMB 130 12 PG	300	0.84	1				PMMB 130 15 PG	300	1.05	1	
PMMB 140 12 PG	400	0.89	1				PMMB 140 15 PG	400	1.12	1	
PMMB 145 12 PG	450	0.92	1				PMMB 145 15 PG	450	1.16	1	
PMMB 150 12 PG	500	0.95	1				PMMB 150 15 PG	500	1.20	1	
PMMB 160 12 PG	600	1.01	1				PMMB 160 15 PG	600	1.27	1	

## Seperator

Seperator - Перегородка



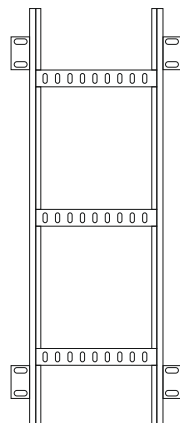
To Install Seperator use CFS bolts and nuts. ( M6 or M8 )

Pre - Galvanised

SEP 1 ... H85	1.0mm				SEP 1 ... H85	1.5mm				
CODE	Length L mm	kg 1m	pcs				CODE	Length L mm	kg 1m	pcs
SEP 185 10 PG	3000	0.75	1				SEP 185 15 PG	3000	1.12	1

## Wall Fixing Bracket

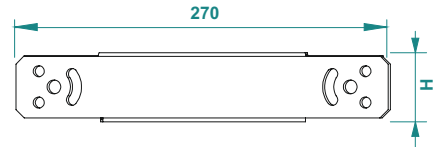
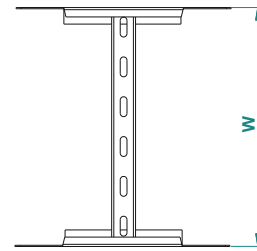
Duvara Tespit Elemanı - Стеновое крепление лотка



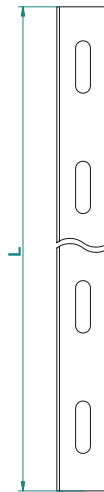
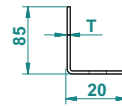
Pre - Galvanised

DKE					
CODE	Height H mm	Length L mm	kg 1 pc	pcs	
DKE 90 PG	90	70	0.14	1	

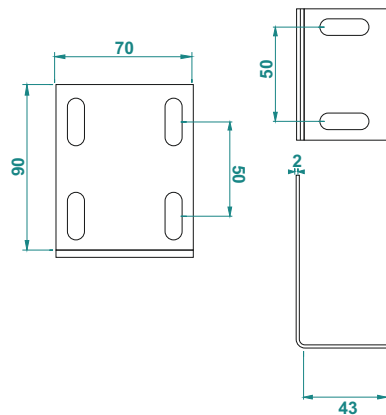
## PMMB H100



## SEP 1 H85



## DKE



**APPLICATIONS**  
Cable routing

### MATERIAL

Steel, strip-galv. acc. to the Sendzimir method to TS-EN 10346:2011 (PG)

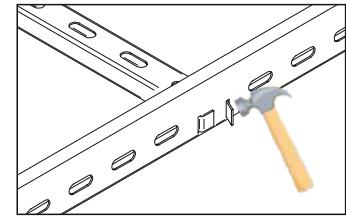
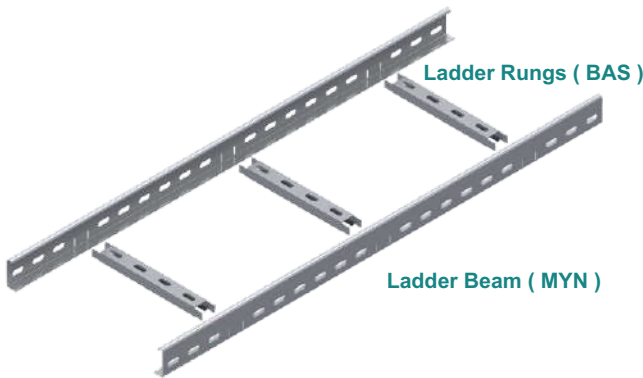
Available finishes:

HDG-steel, hot-dip galv. to TS-EN ISO 1461:2011 (HDG)  
SS- stainless steel AISI 304L and AISI 316L (SS)  
EP- powder coating in a full range of colours (RAL)

Thickn. (ga) [mm]: **1.2 1.5**

## Modular Cable Ladder Side Beam

Modüler Merdiven Yan Kenarı - Боковая планка кабельроста

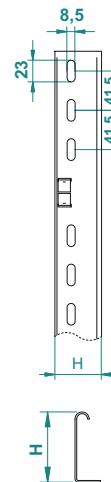


Important!  
To make modular cable ladder use BAS rungs

Pre - Galvanized

MYN				1.2mm			
CODE	Height H mm	KG 1 mt	pcs	CODE	Height H mm	KG 1 mt	pcs
MYN 40 12 PG	40	0.59	1	MYN 40 15 PG	40	0.74	1
MYN 50 12 PG	50	0.68	1	MYN 50 15 PG	50	0.85	1
MYN 60 12 PG	60	0.76	1	MYN 60 15 PG	60	0.95	1
MYN 70 12 PG	70	0.85	1	MYN 70 15 PG	70	1.06	1
MYN 80 12 PG	80	0.93	1	MYN 80 15 PG	80	1.17	1
MYN 100 12 PG	100	1.10	1	MYN 100 15 PG	100	1.38	1

MYN



## 35x15 Modular Cable Ladder Rung

35x15 Modüler Kablo Merdiven Basamağı - Перекладина кабельроста

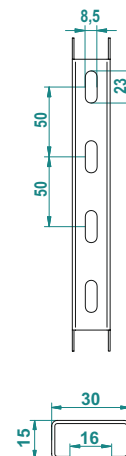


Important!  
To make modular cable ladder - use MYN side beams

Pre - Galvanized

BAS				1.2mm			
CODE	Width W mm	KG 1 pc	pcs	CODE	Width W mm	KG 1 pc	pcs
BAS 100 12 PG	100	0.07	1	BAS 100 15 PG	100	0.09	1
BAS 150 12 PG	150	0.10	1	BAS 150 15 PG	150	0.13	1
BAS 200 12 PG	200	0.13	1	BAS 200 15 PG	200	0.16	1
BAS 250 12 PG	250	0.16	1	BAS 250 15 PG	250	0.20	1
BAS 300 12 PG	300	0.19	1	BAS 300 15 PG	300	0.24	1
BAS 400 12 PG	400	0.25	1	BAS 400 15 PG	400	0.31	1
BAS 450 12 PG	450	0.28	1	BAS 450 15 PG	450	0.35	1
BAS 500 12 PG	500	0.31	1	BAS 500 15 PG	500	0.39	1
BAS 600 12 PG	600	0.37	1	BAS 600 15 PG	600	0.46	1

BAS



### APPLICATIONS

Cable routing

### MATERIAL

Steel, strip-galv. acc. to the Sendzimir method to TS-EN 10346:2011 (PG)

Available finishes:

HDG-steel, hot-dip galv. to TS-EN ISO 1461:2011 (HDG)

SS- stainless steel AISI 304L and AISI 316L (SS)

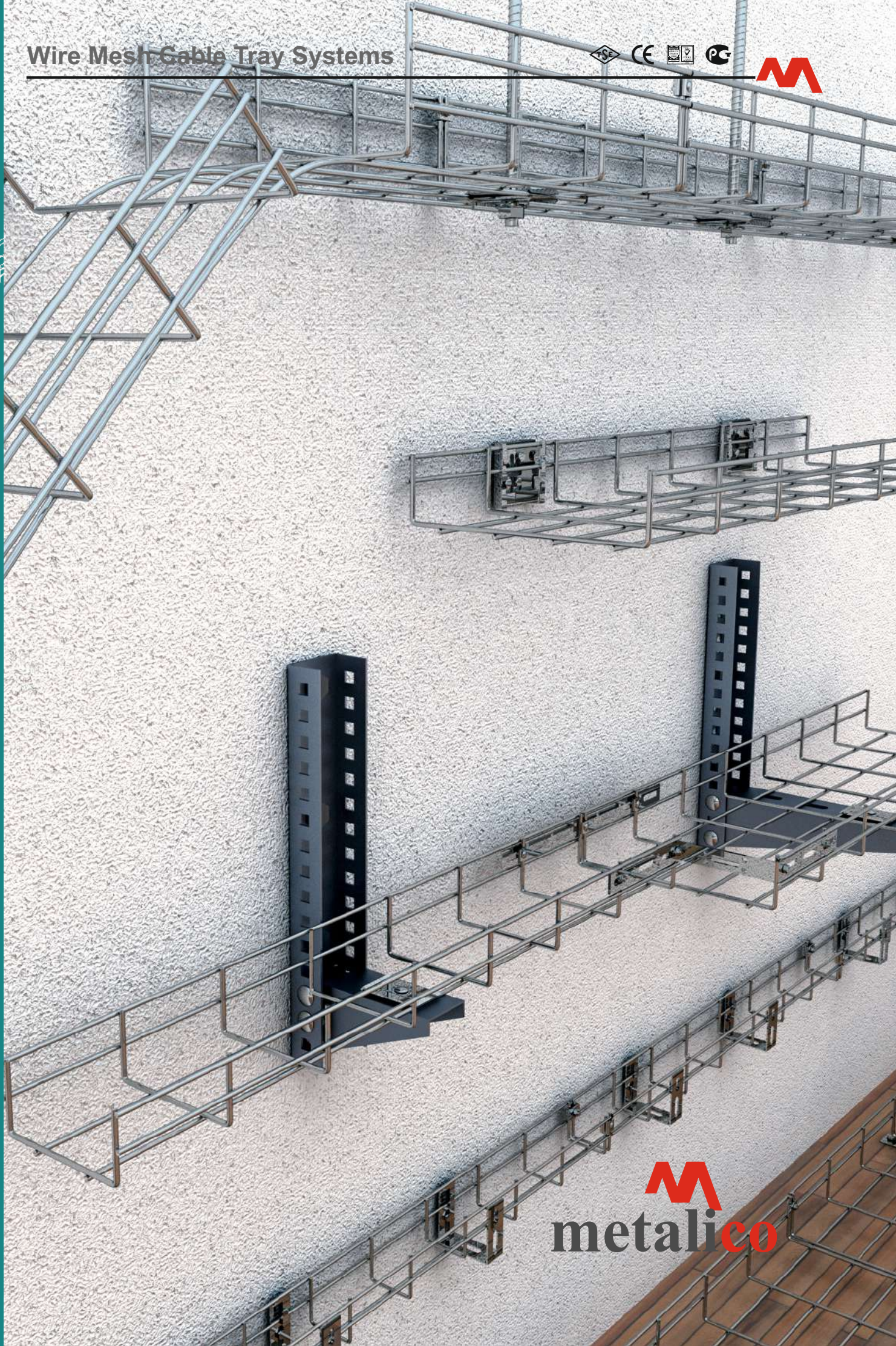
EP- powder coating in a full range of colours (RAL)

Thickn. (ga) [mm]: **1.2 1.5**

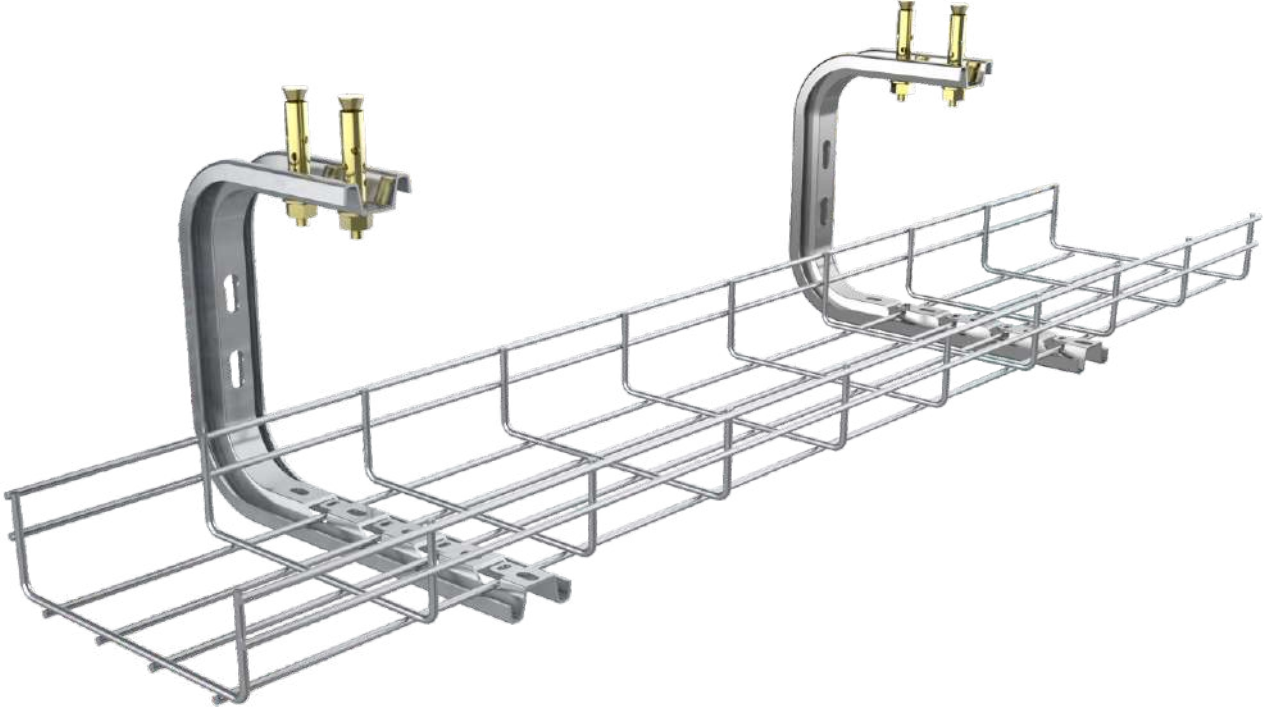



















# Wire Mesh Cable Tray Systems



## Wire Mesh Cable Trays - Tel Örgü Kablo Kanalı Проволочные лотки

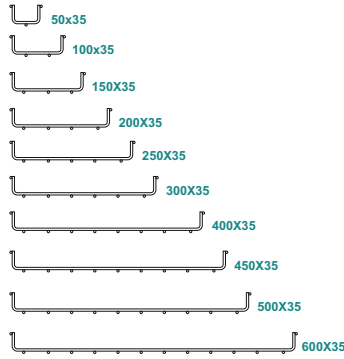
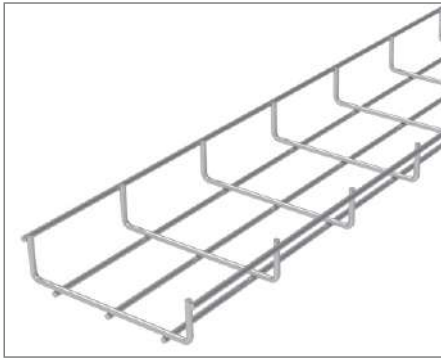


### Accessories

<p>Connector - TBE Birleştirme Elemanı</p>  <p><b>TBE</b></p>	<p>Fixing Unit Sabitleme Elemanı</p>  <p><b>TSE</b></p>	<p>Suspension Clamp Ortadan Tek Tijli Taşıyıcı</p>  <p><b>SC</b></p>	<p>Straight Quick Connector Hızlı Birleştirme Elemanı</p>  <p><b>GBE</b></p>	<p>Multipurpose Connection Strip Birleştirme Şeridi</p>  <p><b>VBE</b></p>
<p>Support For Wall Mounting Tırnaklı Duvar Konsolu</p>  <p><b>WBH</b></p>	<p>Hanging Rail Çift Tijli Taşıyıcı (Tırnaklı)</p>  <p><b>HR</b></p>	<p>Support For Floor and Wall Mounting Yere Duvara Tespit Elemanı</p>  <p><b>FWH</b></p>	<p>Hanger / Central Support Tijli Askı Elemanı</p>  <p><b>H 10</b></p>	<p>Hanger / Side Support Yandan Askı Elemanı - Taşıyıcı</p>  <p><b>HC</b></p>
<p>Cover of Wire Mesh Cable Tray Tel Kanal Kapağı</p>  <p><b>TKK</b></p>	<p>Cable Guider Kablo İniş Kanalı</p>  <p><b>CG</b></p>	<p>Wire Bracket and Boxes Fixing Unit Duvar Konsolu ve Kutu Montaj Elemanı</p>  <p><b>MSB</b></p>	<p>Barrier Strip Seperatör</p>  <p><b>BS</b></p>	<p>Earthing Clamp Topraklama Elemanı</p>  <p><b>TPC</b></p>

## Wire Mesh Cable Trays

Tel Kablo Kanalı - Проволочные лотки



### Electro Galvanised

TOK ...	H35	4.0mm		
CODE	Width W mm	Length L mm	KG 1 m	pcs
TOK 305 40 EG	50	3000	0.43	2
TOK 310 40 EG	100	3000	0.58	2
TOK 315 40 EG	150	3000	0.73	2
TOK 320 40 EG	200	3000	0.89	2
TOK 325 40 EG	250	3000	1.04	2
TOK 330 40 EG	300	3000	1.19	2
TOK 340 40 EG	400	3000	1.49	2
TOK 345 40 EG	450	3000	1.64	2
TOK 350 40 EG	500	3000	1.79	2
TOK 360 40 EG	600	3000	2.09	2

		4.5mm		
CODE	Width W mm	Length L mm	KG 1 m	pcs
TOK 305 45 EG	50	3000	0.55	2
TOK 310 45 EG	100	3000	0.74	2
TOK 315 45 EG	150	3000	0.93	2
TOK 320 45 EG	200	3000	1.12	2
TOK 325 45 EG	250	3000	1.32	2
TOK 330 45 EG	300	3000	1.51	2
TOK 340 45 EG	400	3000	1.89	2
TOK 345 45 EG	450	3000	2.08	2
TOK 350 45 EG	500	3000	2.27	2
TOK 360 45 EG	600	3000	2.66	2

		5.0mm		
CODE	Width W mm	Length L mm	KG 1 m	pcs
TOK 305 50 EG	50	3000	0.68	2
TOK 310 50 EG	100	3000	0.91	2
TOK 315 50 EG	150	3000	1.15	2
TOK 320 50 EG	200	3000	1.39	2
TOK 325 50 EG	250	3000	1.62	2
TOK 330 50 EG	300	3000	1.86	2
TOK 340 50 EG	400	3000	2.33	2
TOK 345 50 EG	450	3000	2.57	2
TOK 350 50 EG	500	3000	2.81	2
TOK 360 50 EG	600	3000	3.28	2

### Hot Dip Galvanised

TOK ...	H35	4.0mm		
CODE	Width W mm	Length L mm	KG 1 m	pcs
TOK 305 40 HDG	50	3000	0.43	2
TOK 310 40 HDG	100	3000	0.58	2
TOK 315 40 HDG	150	3000	0.73	2
TOK 320 40 HDG	200	3000	0.89	2
TOK 325 40 HDG	250	3000	1.04	2
TOK 330 40 HDG	300	3000	1.19	2
TOK 340 40 HDG	400	3000	1.49	2
TOK 345 40 HDG	450	3000	1.64	2
TOK 350 40 HDG	500	3000	1.79	2
TOK 360 40 HDG	600	3000	2.09	2

		4.5mm		
CODE	Width W mm	Length L mm	KG 1 m	pcs
TOK 305 45 HDG	50	3000	0.55	2
TOK 310 45 HDG	100	3000	0.74	2
TOK 315 45 HDG	150	3000	0.93	2
TOK 320 45 HDG	200	3000	1.12	2
TOK 325 45 HDG	250	3000	1.32	2
TOK 330 45 HDG	300	3000	1.51	2
TOK 340 45 HDG	400	3000	1.89	2
TOK 345 45 HDG	450	3000	2.08	2
TOK 350 45 HDG	500	3000	2.27	2
TOK 360 45 HDG	600	3000	2.66	2

		5.0mm		
CODE	Width W mm	Length L mm	KG 1 m	pcs
TOK 305 50 HDG	50	3000	0.68	2
TOK 310 50 HDG	100	3000	0.91	2
TOK 315 50 HDG	150	3000	1.15	2
TOK 320 50 HDG	200	3000	1.39	2
TOK 325 50 HDG	250	3000	1.62	2
TOK 330 50 HDG	300	3000	1.86	2
TOK 340 50 HDG	400	3000	2.33	2
TOK 345 50 HDG	450	3000	2.57	2
TOK 350 50 HDG	500	3000	2.81	2
TOK 360 50 HDG	600	3000	3.28	2

## Wire Mesh Cable Tray

Tel Kablo Kanalı - Tok Serisi - Проволочные лотки



### Electro - Galvanised

TOK ...	H35 ...	4.0mm		
CODE	Width W mm	Length L mm	KG 1 m	pcs
TOK 035 40 EG	50	3000	0.52	2

		4.5mm		
CODE	Width W mm	Length L mm	KG 1 m	pcs
TOK 035 45 EG	50	3000	0.68	2

		5.0mm		
CODE	Width W mm	Length L mm	KG 1 m	pcs
TOK 035 50 EG	50	3000	0.82	2

### Hot Dip. Galvanised

TOK ...	H35 ...	4.0mm		
CODE	Width W mm	Length L mm	KG 1 m	pcs
TOK 035 40 HDG	50	3000	0.52	2

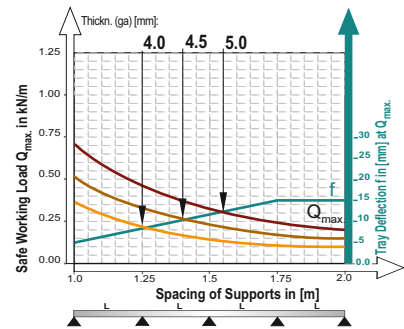
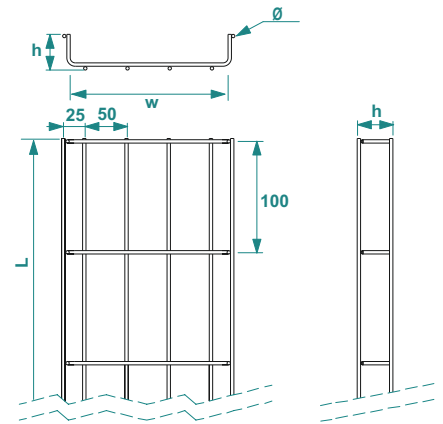
  

		4.5mm		
CODE	Width W mm	Length L mm	KG 1 m	pcs
TOK 035 45 HDG	50	3000	0.68	2

		5.0mm		
CODE	Width W mm	Length L mm	KG 1 m	pcs
TOK 035 50 HDG	50	3000	0.68	2

## TOK H35

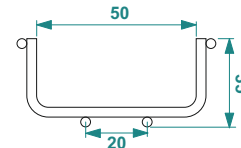


This diagram comply with IEC 61537 with connection to 1/5 of the span and the end span = 0,8x the span

Q = max. admissible load (kg/m)  
L = support distance (m)  
f = Deflection (mm) / Max. deflection = L/100  
Safety co-efficient = 1.5

Width	Usable Cross-Section
50	12 cm <sup>2</sup>
100	25 cm <sup>2</sup>
150	37 cm <sup>2</sup>
200	50 cm <sup>2</sup>
300	75 cm <sup>2</sup>
400	100 cm <sup>2</sup>
500	125 cm <sup>2</sup>
600	150 cm <sup>2</sup>

## TOK H35



### APPLICATIONS

Cable routing

### MATERIAL

EG: Electro - Galvanised (8-12 micron) EN ISO 2081  
HDG-Steel, hot-dip galv. to TS-EN ISO 1461:2011 (HDG)

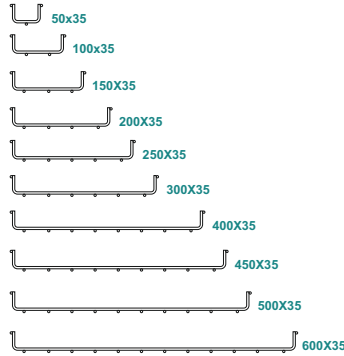
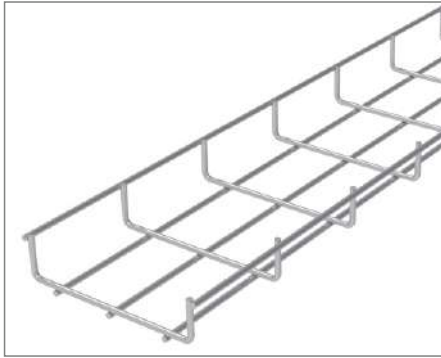
Available finishes:

SS - Stainless steel AISI 304L and aisi 316L (SS)  
EP- powder coating in a full range of colours (RAL)

Thickn. (ga) [mm]: 4.0 4.5 5.0

## Wire Mesh Cable Trays

Tel Kablo Kanalı - Проволочные лотки



### Stainless Steel 304 - Passivated

TOK ...	H35	4.0mm		
CODE	Width W mm	Length L mm	KG 1 m	pcs
TOK 305 40 S4	50	3000	0.43	2
TOK 310 40 S4	100	3000	0.58	2
TOK 315 40 S4	150	3000	0.73	2
TOK 320 40 S4	200	3000	0.89	2
TOK 325 40 S4	250	3000	1.04	2
TOK 330 40 S4	300	3000	1.19	2
TOK 340 40 S4	400	3000	1.49	2
TOK 345 40 S4	450	3000	1.64	2
TOK 350 40 S4	500	3000	1.79	2
TOK 360 40 S4	600	3000	2.09	2
		5.0mm		
CODE	Width W mm	Length L mm	KG 1 m	pcs
TOK 305 50 S4	50	3000	0.68	2
TOK 310 50 S4	100	3000	0.91	2
TOK 315 50 S4	150	3000	1.15	2
TOK 320 50 S4	200	3000	1.39	2
TOK 325 50 S4	250	3000	1.62	2
TOK 330 50 S4	300	3000	1.86	2
TOK 340 50 S4	400	3000	2.33	2
TOK 345 50 S4	450	3000	2.57	2
TOK 350 50 S4	500	3000	2.81	2
TOK 360 50 S4	600	3000	3.28	2

### Stainless Steel 304 - Polished

TOK ...	H35	4.0mm		
CODE	Width W mm	Length L mm	KG 1 m	pcs
TOK 305 40 SP4	50	3000	0.43	2
TOK 310 40 SP4	100	3000	0.58	2
TOK 315 40 SP4	150	3000	0.73	2
TOK 320 40 SP4	200	3000	0.89	2
TOK 325 40 SP4	250	3000	1.04	2
TOK 330 40 SP4	300	3000	1.19	2
TOK 340 40 SP4	400	3000	1.49	2
TOK 345 40 SP4	450	3000	1.64	2
TOK 350 40 SP4	500	3000	1.79	2
TOK 360 40 SP4	600	3000	2.09	2
		5.0mm		
CODE	Width W mm	Length L mm	KG 1 m	pcs
TOK 305 50 SP4	50	3000	0.68	2
TOK 310 50 SP4	100	3000	0.91	2
TOK 315 50 SP4	150	3000	1.15	2
TOK 320 50 SP4	200	3000	1.39	2
TOK 325 50 SP4	250	3000	1.62	2
TOK 330 50 SP4	300	3000	1.86	2
TOK 340 50 SP4	400	3000	2.33	2
TOK 345 50 SP4	450	3000	2.57	2
TOK 350 50 SP4	500	3000	2.81	2
TOK 360 50 SP4	600	3000	3.28	2

### Stainless Steel 316 - Passivated

TOK ...	H35	4.0mm		
CODE	Width W mm	Length L mm	KG 1 m	pcs
TOK 305 40 S6	50	3000	0.43	2
TOK 310 40 S6	100	3000	0.58	2
TOK 315 40 S6	150	3000	0.73	2
TOK 320 40 S6	200	3000	0.89	2
TOK 325 40 S6	250	3000	1.04	2
TOK 330 40 S6	300	3000	1.19	2
TOK 340 40 S6	400	3000	1.49	2
TOK 345 40 S6	450	3000	1.64	2
TOK 350 40 S6	500	3000	1.79	2
TOK 360 40 S6	600	3000	2.09	2

### Stainless Steel 316 - Polished

TOK ...	H35	4.0mm		
CODE	Width W mm	Length L mm	KG 1 m	pcs
TOK 305 40 SP6	50	3000	0.43	2
TOK 310 40 SP6	100	3000	0.58	2
TOK 315 40 SP6	150	3000	0.73	2
TOK 320 40 SP6	200	3000	0.89	2
TOK 325 40 SP6	250	3000	1.04	2
TOK 330 40 SP6	300	3000	1.19	2
TOK 340 40 SP6	400	3000	1.49	2
TOK 345 40 SP6	450	3000	1.64	2
TOK 350 40 SP6	500	3000	1.79	2
TOK 360 40 SP6	600	3000	2.09	2

## Wire Mesh Cable Tray

Tel Kablo Kanalı - Tok Serisi - Проволочные лотки

## Double Wire on Base

Tabanı Çift Tel - две проволоки на основании



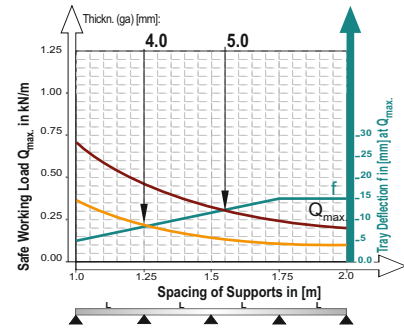
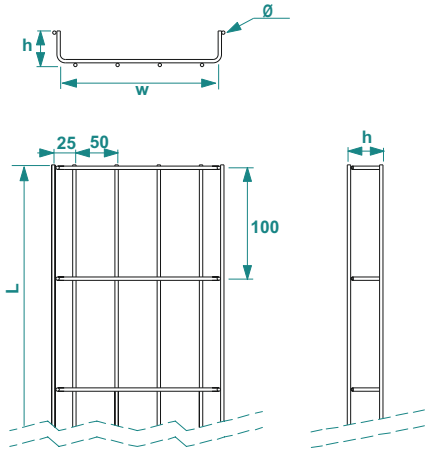
### Stainless Steel 304 - Passivated

TOK ...	H35 ...	4.0mm		
CODE	Width W mm	Length L mm	KG 1 m	pcs
TOK 035 40 S4	50	3000	0.52	2
		5.0mm		
CODE	Width W mm	Length L mm	KG 1 m	pcs
TOK 035 50 S4	50	3000	0.68	2

### Stainless Steel 304 - Polished

TOK ...	H35 ...	4.0mm		
CODE	Width W mm	Length L mm	KG 1 m	pcs
TOK 035 40 SP4	50	3000	0.52	2
		5.0mm		
CODE	Width W mm	Length L mm	KG 1 m	pcs
TOK 035 50 SP4	50	3000	0.68	2

### TOK H35 (Stainless Steel)

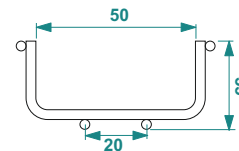


This diagram comply with IEC 61537 with connection to 1/5 of the span and the end span = 0,8x the span

Q = max. admissible load (kg/m)  
L = support distance (m)  
f = Deflection (mm) / Max. deflection = L/100  
Safety co-efficient = 1.5

Width	Usable Cross-Section
50	12 cm <sup>2</sup>
100	25 cm <sup>2</sup>
150	37 cm <sup>2</sup>
200	50 cm <sup>2</sup>
300	75 cm <sup>2</sup>
400	100 cm <sup>2</sup>
500	125 cm <sup>2</sup>
600	150 cm <sup>2</sup>

### TOK H35 (Stainless Steel)



APPLICATIONS  
Cable routing

### MATERIAL

SS 304- Stainless Steel AISI 304L (S4)  
SS 316- Stainless steel AISI 316L (S6)

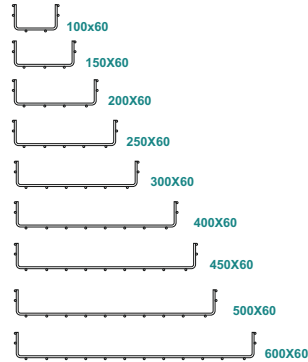
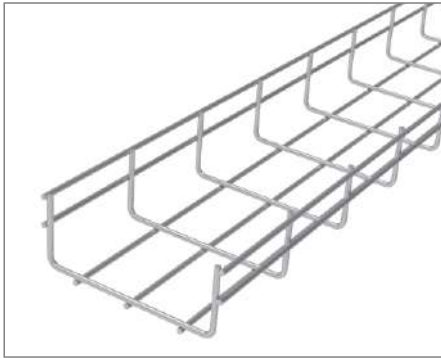
Available finishes:

EG: Electro-galvanized  
HDG-steel, hot-dip galv. to TS-EN ISO 1461:2011 (HDG)  
EP-Powder coating in a full range of colours (RAL)

Thickn. (ga) [mm]: 4.0 5.0

## Wire Mesh Cable Trays

Tel Kablo Kanalı - Проволочные лотки



### Electro Galvanised

TOK ...	H60	4.0mm		
CODE	Width W mm	Length L mm	KG 1 m	pcs
TOK 605 40 EG	50	3000	0.68	2
TOK 610 40 EG	100	3000	0.83	2
TOK 615 40 EG	150	3000	0.99	2
TOK 620 40 EG	200	3000	1.14	2
TOK 625 40 EG	250	3000	1.29	2
TOK 630 40 EG	300	3000	1.44	2
TOK 640 40 EG	400	3000	1.74	2
TOK 645 40 EG	450	3000	1.89	2
TOK 650 40 EG	500	3000	2.04	2
TOK 660 40 EG	600	3000	2.35	2

TOK ...	H60	4.5mm		
CODE	Width W mm	Length L mm	KG 1 m	pcs
TOK 605 45 EG	50	3000	0.87	2
TOK 610 45 EG	100	3000	1.06	2
TOK 615 45 EG	150	3000	1.25	2
TOK 620 45 EG	200	3000	1.44	2
TOK 625 45 EG	250	3000	1.63	2
TOK 630 45 EG	300	3000	1.83	2
TOK 640 45 EG	400	3000	2.21	2
TOK 645 45 EG	450	3000	2.40	2
TOK 650 45 EG	500	3000	2.59	2
TOK 660 45 EG	600	3000	2.98	2

TOK ...	H60	5.0mm		
CODE	Width W mm	Length L mm	KG 1 m	pcs
TOK 605 50 EG	50	3000	1.07	2
TOK 610 50 EG	100	3000	1.31	2
TOK 615 50 EG	150	3000	1.54	2
TOK 620 50 EG	200	3000	1.78	2
TOK 625 50 EG	250	3000	2.02	2
TOK 630 50 EG	300	3000	2.25	2
TOK 640 50 EG	400	3000	2.73	2
TOK 645 50 EG	450	3000	2.96	2
TOK 650 50 EG	500	3000	3.20	2
TOK 660 50 EG	600	3000	3.67	2

### Hot Dip Galvanised

TOK ...	H60	4.0mm		
CODE	Width W mm	Length L mm	KG 1 m	pcs
TOK 605 40 HDG	50	3000	0.68	2
TOK 610 40 HDG	100	3000	0.83	2
TOK 615 40 HDG	150	3000	0.99	2
TOK 620 40 HDG	200	3000	1.14	2
TOK 625 40 HDG	250	3000	1.29	2
TOK 630 40 HDG	300	3000	1.44	2
TOK 640 40 HDG	400	3000	1.74	2
TOK 645 40 HDG	450	3000	1.89	2
TOK 650 40 HDG	500	3000	2.04	2
TOK 660 40 HDG	600	3000	2.35	2

TOK ...	H60	4.5mm		
CODE	Width W mm	Length L mm	KG 1 m	pcs
TOK 605 45 HDG	50	3000	0.87	2
TOK 610 45 HDG	100	3000	1.06	2
TOK 615 45 HDG	150	3000	1.25	2
TOK 620 45 HDG	200	3000	1.44	2
TOK 625 45 HDG	250	3000	1.63	2
TOK 630 45 HDG	300	3000	1.83	2
TOK 640 45 HDG	400	3000	2.21	2
TOK 645 45 HDG	450	3000	2.40	2
TOK 650 45 HDG	500	3000	2.59	2
TOK 660 45 HDG	600	3000	2.98	2

TOK ...	H60	5.0mm		
CODE	Width W mm	Length L mm	KG 1 m	pcs
TOK 605 50 HDG	50	3000	0.87	2
TOK 610 50 HDG	100	3000	1.31	2
TOK 615 50 HDG	150	3000	1.54	2
TOK 620 50 HDG	200	3000	1.78	2
TOK 625 50 HDG	250	3000	2.02	2
TOK 630 50 HDG	300	3000	2.25	2
TOK 640 50 HDG	400	3000	2.73	2
TOK 645 50 HDG	450	3000	2.96	2
TOK 650 50 HDG	500	3000	3.20	2
TOK 660 50 HDG	600	3000	3.67	2

## Wire Mesh Cable Tray

Tel Kablo Kanalı - Tok Serisi - Проволочные лотки



### Electro-Galvanised

TOK ...	H60	4.0mm		
CODE	Width W mm	Length L mm	KG 1 m	pcs
TOK 050 40 EG	50	3000	0.75	2

TOK ...	H60	4.5mm		
CODE	Width W mm	Length L mm	KG 1 m	pcs
TOK 050 45 EG	50	3000	0.95	2

TOK ...	H60	5.0mm		
CODE	Width W mm	Length L mm	KG 1 m	pcs
TOK 050 50 EG	50	3000	1.20	2

### Hot Dip Galvanised

TOK ...	H60	4.0mm		
CODE	Width W mm	Length L mm	KG 1 m	pcs
TOK 050 40 HDG	50	3000	0.75	2

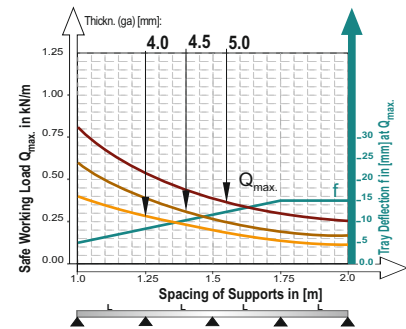
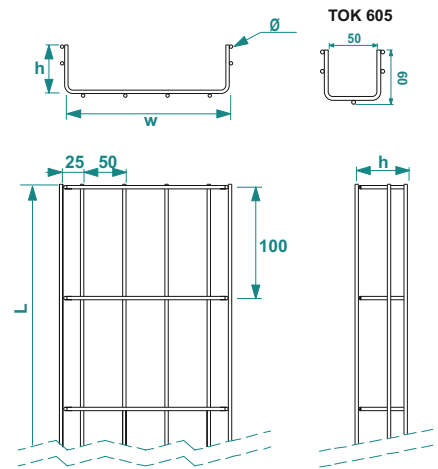
TOK ...	H60	4.5mm		
CODE	Width W mm	Length L mm	KG 1 m	pcs
TOK 050 45 HDG	50	3000	0.95	2

TOK ...	H60	5.0mm		
CODE	Width W mm	Length L mm	KG 1 m	pcs
TOK 050 50 HDG	50	3000	1.20	2

## Double Wire on Base

Tabanı Çift Tel - две проволоки на основании

### TOK H60

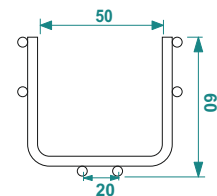


This diagram comply with IEC 61537 with connection to 1/5 of the span and the end span = 0,8x the span

Q = max. admissible load (kg/m)  
L = support distance (m)  
f = Deflection (mm) / Max. deflection = L/100  
Safety co-efficient = 1.5

Width	Usable Cross-Section
50	25 cm <sup>2</sup>
100	50 cm <sup>2</sup>
150	75 cm <sup>2</sup>
200	100 cm <sup>2</sup>
300	150 cm <sup>2</sup>
400	200 cm <sup>2</sup>
500	250 cm <sup>2</sup>
600	300 cm <sup>2</sup>

### TOK H60



### APPLICATIONS

Cable routing

### MATERIAL

EG: Electro - Galvanised (8-12 micron) EN ISO 2081  
HDG-Steel, hot-dip galv. to TS-EN ISO 1461:2011 (HDG)

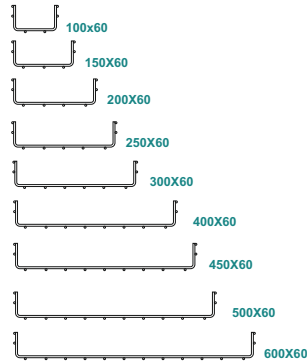
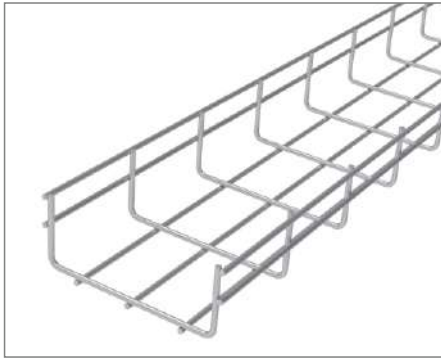
Available finishes:

SS - Stainless steel AISI 304L and aisi 316L (SS)  
EP - powder coating in a full range of colours (RAL)

Thickn. (ga) [mm]: **4.0 4.5 5.0**

## Wire Mesh Cable Trays

Tel Kablo Kanalı - Проволочные лотки



### Stainless Steel 304 - Passivated

TOK ...	H60	4.0mm		
CODE	Width W mm	Length L mm	KG 1 m	pcs
TOK 605 40 S4	50	3000	0.68	2
TOK 610 40 S4	100	3000	0.83	2
TOK 615 40 S4	150	3000	0.99	2
TOK 620 40 S4	200	3000	1.14	2
TOK 625 40 S4	250	3000	1.29	2
TOK 630 40 S4	300	3000	1.44	2
TOK 640 40 S4	400	3000	1.74	2
TOK 645 40 S4	450	3000	1.89	2
TOK 650 40 S4	500	3000	2.04	2
TOK 660 40 S4	600	3000	2.35	2

TOK ...	H60	5.0mm		
CODE	Width W mm	Length L mm	KG 1 m	pcs
TOK 605 50 S4	50	3000	1.07	2
TOK 610 50 S4	100	3000	1.31	2
TOK 615 50 S4	150	3000	1.54	2
TOK 620 50 S4	200	3000	1.78	2
TOK 625 50 S4	250	3000	2.02	2
TOK 630 50 S4	300	3000	2.25	2
TOK 640 50 S4	400	3000	2.73	2
TOK 645 50 S4	450	3000	2.96	2
TOK 650 50 S4	500	3000	3.20	2
TOK 660 50 S4	600	3000	3.67	2

### Stainless Steel 304 Polished

TOK ...	H60	4.0mm		
CODE	Width W mm	Length L mm	KG 1 m	pcs
TOK 605 40 SP4	50	3000	0.68	2
TOK 610 40 SP4	100	3000	0.83	2
TOK 615 40 SP4	150	3000	0.99	2
TOK 620 40 SP4	200	3000	1.14	2
TOK 625 40 SP4	250	3000	1.29	2
TOK 630 40 SP4	300	3000	1.44	2
TOK 640 40 SP4	400	3000	1.74	2
TOK 645 40 SP4	450	3000	1.89	2
TOK 650 40 SP4	500	3000	2.04	2
TOK 660 40 SP4	600	3000	2.35	2

TOK ...	H60	5.0mm		
CODE	Width W mm	Length L mm	KG 1 m	pcs
TOK 605 50 SP4	50	3000	0.87	2
TOK 610 50 SP4	100	3000	1.31	2
TOK 615 50 SP4	150	3000	1.54	2
TOK 620 50 SP4	200	3000	1.78	2
TOK 625 50 SP4	250	3000	2.02	2
TOK 630 50 SP4	300	3000	2.25	2
TOK 640 50 SP4	400	3000	2.73	2
TOK 645 50 SP4	450	3000	2.96	2
TOK 650 50 SP4	500	3000	3.20	2
TOK 660 50 SP4	600	3000	3.67	2

### Stainless Steel 316 - Passivated

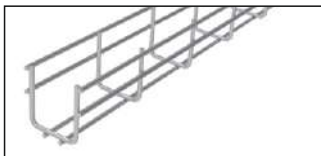
TOK ...	H60	4.0mm		
CODE	Width W mm	Length L mm	KG 1 m	pcs
TOK 605 40 S6	50	3000	0.68	2
TOK 610 40 S6	100	3000	0.83	2
TOK 615 40 S6	150	3000	0.99	2
TOK 620 40 S6	200	3000	1.14	2
TOK 625 40 S6	250	3000	1.29	2
TOK 630 40 S6	300	3000	1.44	2
TOK 640 40 S6	400	3000	1.74	2
TOK 645 40 S6	450	3000	1.89	2
TOK 650 40 S6	500	3000	2.04	2
TOK 660 40 S6	600	3000	2.35	2

### Stainless Steel 316 Polished

TOK ...	H60	4.0mm		
CODE	Width W mm	Length L mm	KG 1 m	pcs
TOK 605 40 SP6	50	3000	0.68	2
TOK 610 40 SP6	100	3000	0.83	2
TOK 615 40 SP6	150	3000	0.99	2
TOK 620 40 SP6	200	3000	1.14	2
TOK 625 40 SP6	250	3000	1.29	2
TOK 630 40 SP6	300	3000	1.44	2
TOK 640 40 SP6	400	3000	1.74	2
TOK 645 40 SP6	450	3000	1.89	2
TOK 650 40 SP6	500	3000	2.04	2
TOK 660 40 SP6	600	3000	2.35	2

## Wire Mesh Cable Tray

Tel Kablo Kanalı - Tok Serisi - Проволочные лотки



## Double Wire on Base

Tabanı Çift Tel - две проволоки на основании

### Stainless Steel 304 - Passivated

TOK ...	H60	4.0mm		
CODE	W mm	Length L mm	KG 1 m	pcs
TOK 050 40 S4	50	3000	0.75	2

TOK ...	H60	5.0mm		
CODE	Width W mm	Length L mm	KG 1 m	pcs
TOK 050 50 S4	50	3000	1.20	2

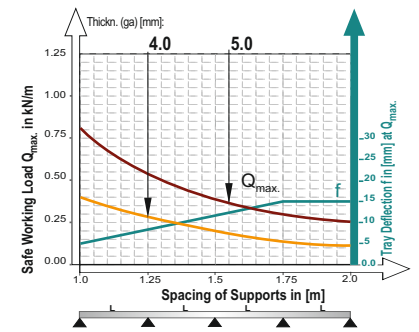
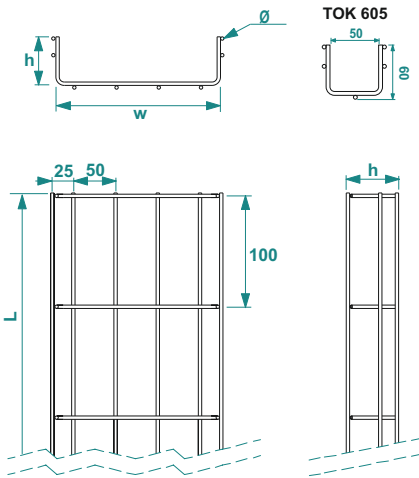
### Stainless Steel Polished

TOK ...	H60	4.0mm		
CODE	Width W mm	Length L mm	KG 1 m	pcs
TOK 050 40 SP4	50	3000	0.75	2

TOK ...	H60	5.0mm		
CODE	Width W mm	Length L mm	KG 1 m	pcs
TOK 050 50 SP4	50	3000	1.20	2

### TOK H60 (Stainless Steel)

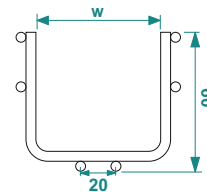


This diagram comply with IEC 61537 with connection to 1/5 of the span and the end span = 0,8x the span

Q = max. admissible load (kg/m)  
L = support distance (m)  
f = Deflection (mm) / Max. deflection = L/100  
Safety co-efficient = 1.5

Width	Usable Cross-Section
50	25 cm <sup>2</sup>
100	50 cm <sup>2</sup>
150	75 cm <sup>2</sup>
200	100 cm <sup>2</sup>
300	150 cm <sup>2</sup>
400	200 cm <sup>2</sup>
500	250 cm <sup>2</sup>
600	300 cm <sup>2</sup>

### TOK H60 (Stainless Steel)



### APPLICATIONS

Cable routing

### MATERIAL

SS 304- Stainless Steel AISI 304L (S4)  
SS 316- Stainless steel AISI 316L (S6)

Available finishes:

EG: Electro-galvanized  
HDG: steel, hot-dip galv. to TS-EN ISO 1461:2011 (HDG)  
EP: Powder coating in a full range of colours (RAL)

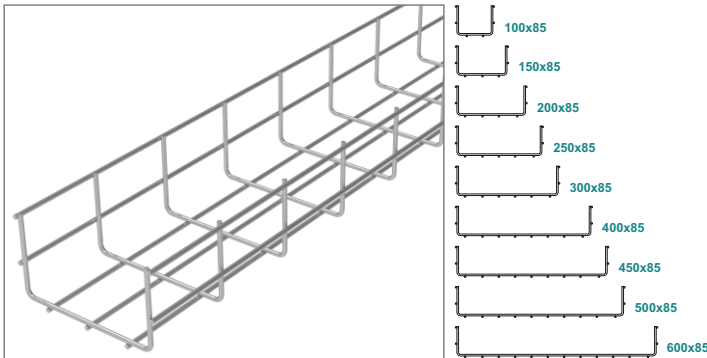
Thickn. (ga) [mm]: 4.0 5.0

# Wire Mesh Cable Trays - Side Height H85



## Wire Mesh Cable Trays

Tel Kablo Kanali - Проволочные лотки



### Electro Galvanised

TOK ...	H85	4.0mm		
CODE	Width W mm	Length L mm	Kg 1 m	pcs
TOK 810 40 EG	100	3000	0.89	2
TOK 815 40 EG	150	3000	1.04	2
TOK 820 40 EG	200	3000	1.19	2
TOK 825 40 EG	250	3000	1.34	2
TOK 830 40 EG	300	3000	1.49	2
TOK 840 40 EG	400	3000	1.79	2
TOK 845 40 EG	450	3000	1.94	2
TOK 850 40 EG	500	3000	2.09	2
TOK 860 40 EG	600	3000	2.40	2

TOK ...	H85	4.5mm		
CODE	Width W mm	Length L mm	Kg 1 m	pcs
TOK 810 45 EG	100	3000	1.12	2
TOK 815 45 EG	150	3000	1.32	2
TOK 820 45 EG	200	3000	1.51	2
TOK 825 45 EG	250	3000	1.70	2
TOK 830 45 EG	300	3000	1.89	2
TOK 840 45 EG	400	3000	2.27	2
TOK 845 45 EG	450	3000	2.47	2
TOK 850 45 EG	500	3000	2.66	2
TOK 860 45 EG	600	3000	3.04	2

TOK ...	H85	5.0mm		
CODE	Width W mm	Length L mm	Kg 1 m	pcs
TOK 810 50 EG	100	3000	1.39	2
TOK 815 50 EG	150	3000	1.62	2
TOK 820 50 EG	200	3000	1.86	2
TOK 825 50 EG	250	3000	2.10	2
TOK 830 50 EG	300	3000	2.33	2
TOK 840 50 EG	400	3000	2.81	2
TOK 845 50 EG	450	3000	3.04	2
TOK 850 50 EG	500	3000	3.28	2
TOK 860 50 EG	600	3000	3.75	2

### Hot Dip Galvanised

TOK ...	H85	4.0mm		
CODE	Width W mm	Length L mm	Kg 1 m	pcs
TOK 810 40 HDG	100	3000	0.89	2
TOK 815 40 HDG	150	3000	1.04	2
TOK 820 40 HDG	200	3000	1.19	2
TOK 825 40 HDG	250	3000	1.34	2
TOK 830 40 HDG	300	3000	1.49	2
TOK 840 40 HDG	400	3000	1.79	2
TOK 845 40 HDG	450	3000	1.94	2
TOK 850 40 HDG	500	3000	2.09	2
TOK 860 40 HDG	600	3000	2.40	2

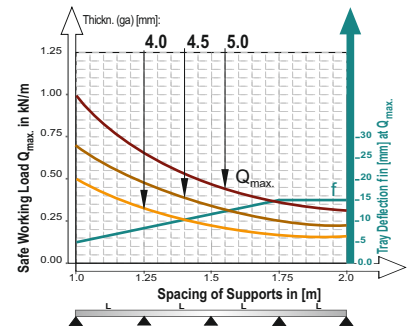
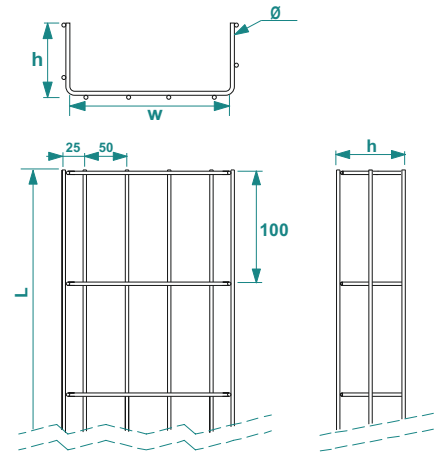
  

TOK ...	H85	4.5mm		
CODE	Width W mm	Length L mm	Kg 1 m	pcs
TOK 810 45 HDG	100	3000	1.12	2
TOK 815 45 HDG	150	3000	1.32	2
TOK 820 45 HDG	200	3000	1.51	2
TOK 825 45 HDG	250	3000	1.70	2
TOK 830 45 HDG	300	3000	1.89	2
TOK 840 45 HDG	400	3000	2.27	2
TOK 845 45 HDG	450	3000	2.47	2
TOK 850 45 HDG	500	3000	2.66	2
TOK 860 45 HDG	600	3000	3.04	2

TOK ...	H85	5.0mm		
CODE	Width W mm	Length L mm	Kg 1 m	pcs
TOK 810 50 HDG	100	3000	1.39	2
TOK 815 50 HDG	150	3000	1.62	2
TOK 820 50 HDG	200	3000	1.86	2
TOK 825 50 HDG	250	3000	2.10	2
TOK 830 50 HDG	300	3000	2.33	2
TOK 840 50 HDG	400	3000	2.81	2
TOK 845 50 HDG	450	3000	3.04	2
TOK 850 50 HDG	500	3000	3.28	2
TOK 860 50 HDG	600	3000	3.75	2

### TOK H85



This diagram comply with IEC 61537 with connection to 1/5 of the span and the end span = 0,8x the span

$Q$  = max. admissible load (kg/m)  
 $L$  = support distance (m)  
 $f$  = Deflection (mm) / Max. deflection =  $L/100$   
 Safety co-efficient = 1.5

Width	Usable Cross-Section
100	75 cm <sup>2</sup>
150	112 cm <sup>2</sup>
200	150 cm <sup>2</sup>
300	225 cm <sup>2</sup>
400	300 cm <sup>2</sup>
500	375 cm <sup>2</sup>
600	450 cm <sup>2</sup>

### APPLICATIONS

Cable routing

### MATERIAL

EG: Electro - Galvanised (8-12 micron) EN ISO 2081  
 HDG-Steel, hot-dip galv. to TS-EN ISO 1461:2011 (HDG)

Available finishes:

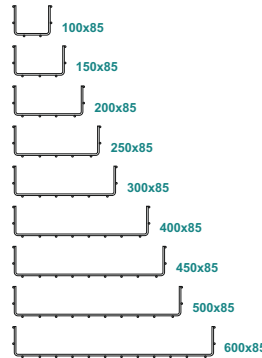
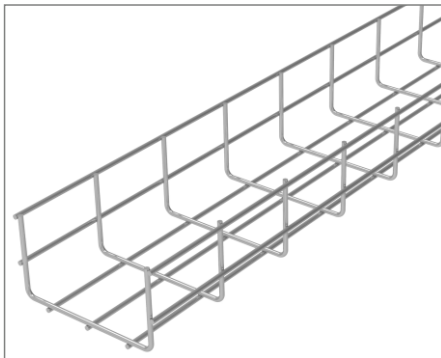
SS - Stainless steel AISI 304L and aisi 316L (SS)  
 EP- powder coating in a full range of colours (RAL)

Thickn. (ga) [mm]: 4.0 4.5 5.0



## Wire Mesh Cable Trays

Tel Kablo Kanalı - Проволочные лотки



### Stainless Steel 304 - Passivated

TOK ...	H85	4.0mm		
CODE	Width W mm	Length L mm	KG 1 m	pcs
TOK 810 40 S4	100	3000	0.89	2
TOK 815 40 S4	150	3000	1.04	2
TOK 820 40 S4	200	3000	1.19	2
TOK 825 40 S4	250	3000	1.34	2
TOK 830 40 S4	300	3000	1.49	2
TOK 840 40 S4	400	3000	1.79	2
TOK 845 40 S4	450	3000	1.94	2
TOK 850 40 S4	500	3000	2.09	2
TOK 860 40 S4	600	3000	2.40	2
<b>5.0mm</b>				
CODE	Width W mm	Length L mm	KG 1 m	pcs
TOK 810 50 S4	100	3000	1.39	2
TOK 815 50 S4	150	3000	1.62	2
TOK 820 50 S4	200	3000	1.86	2
TOK 825 50 S4	250	3000	2.10	2
TOK 830 50 S4	300	3000	2.33	2
TOK 840 50 S4	400	3000	2.81	2
TOK 845 50 S4	450	3000	3.04	2
TOK 850 50 S4	500	3000	3.28	2
TOK 860 50 S4	600	3000	3.75	2

### Stainless Steel 304 - Polished

TOK ...	H85	4.0mm		
CODE	Width W mm	Length L mm	KG 1 m	pcs
TOK 810 40 SP4	100	3000	0.89	2
TOK 815 40 SP4	150	3000	1.04	2
TOK 820 40 SP4	200	3000	1.19	2
TOK 825 40 SP4	250	3000	1.34	2
TOK 830 40 SP4	300	3000	1.49	2
TOK 840 40 SP4	400	3000	1.79	2
TOK 845 40 SP4	450	3000	1.94	2
TOK 850 40 SP4	500	3000	2.09	2
TOK 860 40 SP4	600	3000	2.40	2
<b>5.0mm</b>				
CODE	Width W mm	Length L mm	KG 1 m	pcs
TOK 810 50 SP4	100	3000	1.39	2
TOK 815 50 SP4	150	3000	1.62	2
TOK 820 50 SP4	200	3000	1.86	2
TOK 825 50 SP4	250	3000	2.10	2
TOK 830 50 SP4	300	3000	2.33	2
TOK 840 50 SP4	400	3000	2.81	2
TOK 845 50 SP4	450	3000	3.04	2
TOK 850 50 SP4	500	3000	3.28	2
TOK 860 50 SP4	600	3000	3.75	2

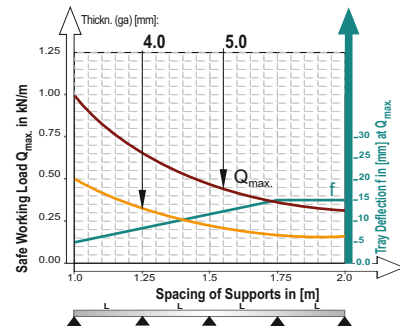
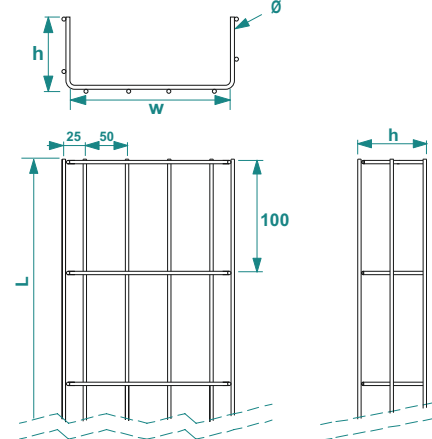
### Stainless Steel 316 - Passivated

TOK ...	H85	4.0mm		
CODE	Width W mm	Length L mm	KG 1 m	pcs
TOK 810 40 S6	100	3000	0.89	2
TOK 815 40 S6	150	3000	1.04	2
TOK 820 40 S6	200	3000	1.19	2
TOK 825 40 S6	250	3000	1.34	2
TOK 830 40 S6	300	3000	1.49	2
TOK 840 40 S6	400	3000	1.79	2
TOK 845 40 S6	450	3000	1.94	2
TOK 850 40 S6	500	3000	2.09	2
TOK 860 40 S6	600	3000	2.40	2
<b>5.0mm</b>				
CODE	Width W mm	Length L mm	KG 1 m	pcs
TOK 810 50 S6	100	3000	1.39	2
TOK 815 50 S6	150	3000	1.62	2
TOK 820 50 S6	200	3000	1.86	2
TOK 825 50 S6	250	3000	2.10	2
TOK 830 50 S6	300	3000	2.33	2
TOK 840 50 S6	400	3000	2.81	2
TOK 845 50 S6	450	3000	3.04	2
TOK 850 50 S6	500	3000	3.28	2
TOK 860 50 S6	600	3000	3.75	2

### Stainless Steel 316 - Polished

TOK ...	H85	4.0mm		
CODE	Width W mm	Length L mm	KG 1 m	pcs
TOK 810 40 SP6	100	3000	0.89	2
TOK 815 40 SP6	150	3000	1.04	2
TOK 820 40 SP6	200	3000	1.19	2
TOK 825 40 SP6	250	3000	1.34	2
TOK 830 40 SP6	300	3000	1.49	2
TOK 840 40 SP6	400	3000	1.79	2
TOK 845 40 SP6	450	3000	1.94	2
TOK 850 40 SP6	500	3000	2.09	2
TOK 860 40 SP6	600	3000	2.40	2
<b>5.0mm</b>				
CODE	Width W mm	Length L mm	KG 1 m	pcs
TOK 810 50 SP6	100	3000	1.39	2
TOK 815 50 SP6	150	3000	1.62	2
TOK 820 50 SP6	200	3000	1.86	2
TOK 825 50 SP6	250	3000	2.10	2
TOK 830 50 SP6	300	3000	2.33	2
TOK 840 50 SP6	400	3000	2.81	2
TOK 845 50 SP6	450	3000	3.04	2
TOK 850 50 SP6	500	3000	3.28	2
TOK 860 50 SP6	600	3000	3.75	2

### TOK H85 (Stainless Steel)



This diagram comply with IEC 61537 with connection to 1/5 of the span and the end span = 0,8x the span

Q = max. admissible load (kg/m)  
 L = support distance (m)  
 f = Deflection (mm) / Max. deflection = L/100  
 Safely co-efficient = 1.5

Width	Usable Cross-Section
100	75 cm <sup>2</sup>
150	112 cm <sup>2</sup>
200	150 cm <sup>2</sup>
300	225 cm <sup>2</sup>
400	300 cm <sup>2</sup>
500	375 cm <sup>2</sup>
600	450 cm <sup>2</sup>

### APPLICATIONS

Cable routing

### MATERIAL

SS 304- Stainless Steel AISI 304L (S4)  
 SS 316- Stainless steel AISI 316L (S6)

Available finishes:

EG- Electro-galvanized  
 HDG-steel, hot-dip galv. to TS-EN ISO 1461:2011 (HDG)  
 EP- Powder coating in a full range of colours (RAL)

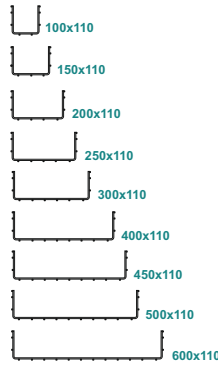
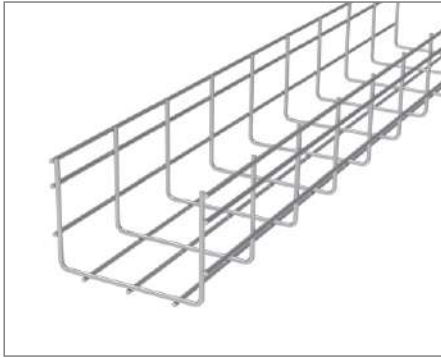
Thickn. (ga) [mm]: **4.0 5.0**

# Wire Mesh Cable Trays - Side Height H110



## Wire Mesh Cable Trays

Tel Kablo Kanalı - Проволочные лотки



### Electro Galvanised

TOK ...	H110	4.0mm		
CODE	Width W mm	Length L mm	KG 1 m	pcs
TOK 110 40 EG	100	3000	1.14	2
TOK 115 40 EG	150	3000	1.29	2
TOK 120 40 EG	200	3000	1.44	2
TOK 125 40 EG	250	3000	1.59	2
TOK 130 40 EG	300	3000	1.74	2
TOK 140 40 EG	400	3000	2.04	2
TOK 145 40 EG	450	3000	2.19	2
TOK 150 40 EG	500	3000	2.35	2
TOK 160 40 EG	600	3000	2.65	2

TOK ...	H110	4.5mm		
CODE	Width W mm	Length L mm	KG 1 m	pcs
TOK 110 45 EG	100	3000	1.44	2
TOK 115 45 EG	150	3000	1.63	2
TOK 120 45 EG	200	3000	1.83	2
TOK 125 45 EG	250	3000	2.02	2
TOK 130 45 EG	300	3000	2.21	2
TOK 140 45 EG	400	3000	2.59	2
TOK 145 45 EG	450	3000	2.78	2
TOK 150 45 EG	500	3000	2.98	2
TOK 160 45 EG	600	3000	3.36	2

TOK ...	H110	5.0mm		
CODE	Width W mm	Length L mm	KG 1 m	pcs
TOK 110 50 EG	100	3000	1.78	2
TOK 115 50 EG	150	3000	2.02	2
TOK 120 50 EG	200	3000	2.25	2
TOK 125 50 EG	250	3000	2.49	2
TOK 130 50 EG	300	3000	2.73	2
TOK 140 50 EG	400	3000	3.20	2
TOK 145 50 EG	450	3000	3.44	2
TOK 150 50 EG	500	3000	3.67	2
TOK 160 50 EG	600	3000	4.14	2

### Hot Dip Galvanised

TOK ...	H110	4.0mm		
CODE	Width W mm	Length L mm	KG 1 m	pcs
TOK 110 40 HDG	100	3000	1.14	2
TOK 115 40 HDG	150	3000	1.29	2
TOK 120 40 HDG	200	3000	1.44	2
TOK 125 40 HDG	250	3000	1.59	2
TOK 130 40 HDG	300	3000	1.74	2
TOK 140 40 HDG	400	3000	2.04	2
TOK 145 40 HDG	450	3000	2.19	2
TOK 150 40 HDG	500	3000	2.35	2
TOK 160 40 HDG	600	3000	2.65	2

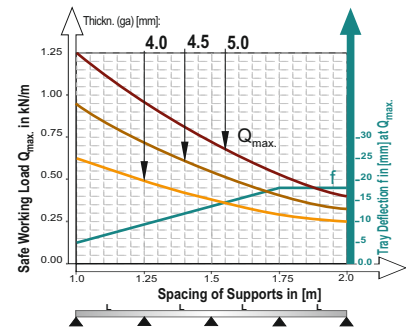
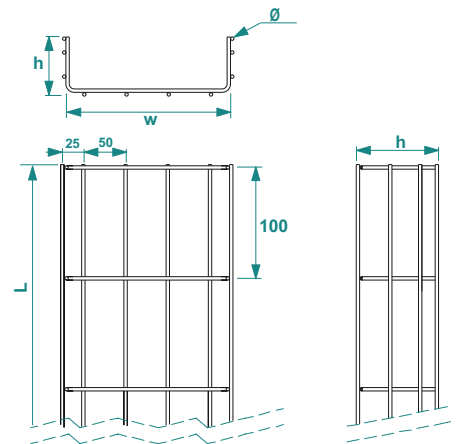
  

TOK ...	H110	4.5mm		
CODE	Width W mm	Length L mm	KG 1 m	pcs
TOK 110 45 HDG	100	3000	1.44	2
TOK 115 45 HDG	150	3000	1.63	2
TOK 120 45 HDG	200	3000	1.83	2
TOK 125 45 HDG	250	3000	2.02	2
TOK 130 45 HDG	300	3000	2.21	2
TOK 140 45 HDG	400	3000	2.59	2
TOK 145 45 HDG	450	3000	2.78	2
TOK 150 45 HDG	500	3000	2.98	2
TOK 160 45 HDG	600	3000	3.36	2

TOK ...	H110	5.0mm		
CODE	Width W mm	Length L mm	KG 1 m	pcs
TOK 110 50 HDG	100	3000	1.78	2
TOK 115 50 HDG	150	3000	2.02	2
TOK 120 50 HDG	200	3000	2.25	2
TOK 125 50 HDG	250	3000	2.49	2
TOK 130 50 HDG	300	3000	2.73	2
TOK 140 50 HDG	400	3000	3.20	2
TOK 145 50 HDG	450	3000	3.44	2
TOK 150 50 HDG	500	3000	3.67	2
TOK 160 50 HDG	600	3000	4.14	2

### TOK 110



This diagram comply with IEC 61537 with connection to 1/5 of the span and the end span = 0,8x the span

Q = max. admissible load (kg/m)  
 L = support distance (m)  
 f = Deflection (mm) / Max. deflection = L/100  
 Safety co-efficient = 1.5

Width	Usable Cross-Section
100	100 cm <sup>2</sup>
150	150 cm <sup>2</sup>
200	200 cm <sup>2</sup>
300	300 cm <sup>2</sup>
400	400 cm <sup>2</sup>
500	500 cm <sup>2</sup>
600	600 cm <sup>2</sup>

### APPLICATIONS

Cable routing

### MATERIAL

EG: Electro - Galvanised (8-12 Micron) EN ISO 2081  
 HDG-Steel, hot-dip galv. to TS-EN ISO 1461:2011 (HDG)

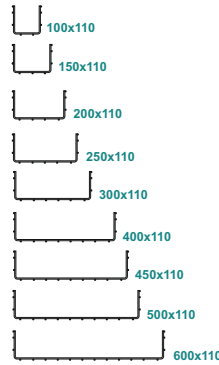
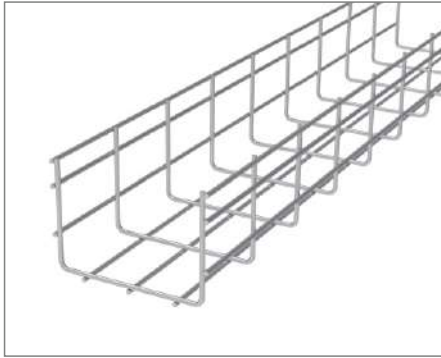
Available finishes:

SS - Stainless steel AISI 304L and aisi 316L (SS)  
 EP- powder coating in a full range of colours (RAL)

Thickn. (ga) [mm]: 4.0 | 4.5 | 5.0

## Wire Mesh Cable Trays

Tel Kablo Kanali - Проволочные лотки



### Stainless Steel 304 - Passivated

TOK ...	H110	4.0mm		
CODE	Width W mm	Length L mm	KG 1 m	pcs
TOK 110 40 S4	100	3000	1.14	2
TOK 115 40 S4	150	3000	1.29	2
TOK 120 40 S4	200	3000	1.44	2
TOK 125 40 S4	250	3000	1.59	2
TOK 130 40 S4	300	3000	1.74	2
TOK 140 40 S4	400	3000	2.04	2
TOK 145 40 S4	450	3000	2.19	2
TOK 150 40 S4	500	3000	2.35	2
TOK 160 40 S4	600	3000	2.65	2
<b>5.0mm</b>				
CODE	Width W mm	Length L mm	KG 1 m	pcs
TOK 110 50 S4	100	3000	1.78	2
TOK 115 50 S4	150	3000	2.02	2
TOK 120 50 S4	200	3000	2.25	2
TOK 125 50 S4	250	3000	2.49	2
TOK 130 50 S4	300	3000	2.73	2
TOK 140 50 S4	400	3000	3.20	2
TOK 145 50 S4	450	3000	3.44	2
TOK 150 50 S4	500	3000	3.67	2
TOK 160 50 S4	600	3000	4.14	2

### Stainless Steel 304 - Polished

TOK ...	H110	4.0mm		
CODE	Width W mm	Length L mm	KG 1 m	pcs
TOK 110 40 SP4	100	3000	1.14	2
TOK 115 40 SP4	150	3000	1.29	2
TOK 120 40 SP4	200	3000	1.44	2
TOK 125 40 SP4	250	3000	1.59	2
TOK 130 40 SP4	300	3000	1.74	2
TOK 140 40 SP4	400	3000	2.04	2
TOK 145 40 SP4	450	3000	2.19	2
TOK 150 40 SP4	500	3000	2.35	2
TOK 160 40 SP4	600	3000	2.65	2
<b>5.0mm</b>				
CODE	Width W mm	Length L mm	KG 1 m	pcs
TOK 110 50 SP4	100	3000	1.78	2
TOK 115 50 SP4	150	3000	2.02	2
TOK 120 50 SP4	200	3000	2.25	2
TOK 125 50 SP4	250	3000	2.49	2
TOK 130 50 SP4	300	3000	2.73	2
TOK 140 50 SP4	400	3000	3.20	2
TOK 145 50 SP4	450	3000	3.44	2
TOK 150 50 SP4	500	3000	3.67	2
TOK 160 50 SP4	600	3000	4.14	2

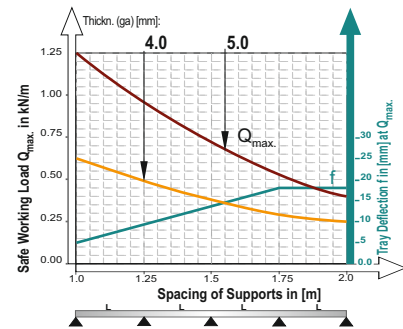
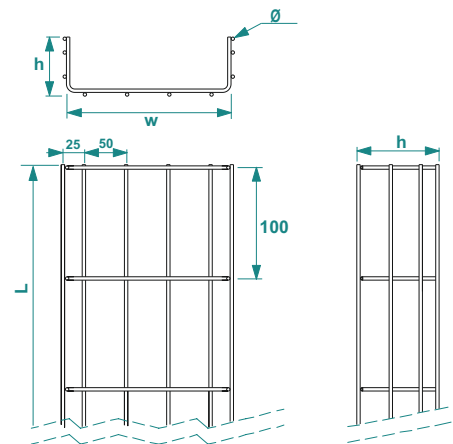
### Stainless Steel 316 - Passivated

TOK ...	H110	4.0mm		
CODE	Width W mm	Length L mm	KG 1 m	pcs
TOK 110 40 S6	100	3000	1.14	2
TOK 115 40 S6	150	3000	1.29	2
TOK 120 40 S6	200	3000	1.44	2
TOK 125 40 S6	250	3000	1.59	2
TOK 130 40 S6	300	3000	1.74	2
TOK 140 40 S6	400	3000	2.04	2
TOK 145 40 S6	450	3000	2.19	2
TOK 150 40 S6	500	3000	2.35	2
TOK 160 40 S6	600	3000	2.65	2
<b>5.0mm</b>				
CODE	Width W mm	Length L mm	KG 1 m	pcs
TOK 110 50 S6	100	3000	1.78	2
TOK 115 50 S6	150	3000	2.02	2
TOK 120 50 S6	200	3000	2.25	2
TOK 125 50 S6	250	3000	2.49	2
TOK 130 50 S6	300	3000	2.73	2
TOK 140 50 S6	400	3000	3.20	2
TOK 145 50 S6	450	3000	3.44	2
TOK 150 50 S6	500	3000	3.67	2
TOK 160 50 S6	600	3000	4.14	2

### Stainless Steel 316 - Polished

TOK ...	H110	4.0mm		
CODE	Width W mm	Length L mm	KG 1 m	pcs
TOK 110 40 SP6	100	3000	1.14	2
TOK 115 40 SP6	150	3000	1.29	2
TOK 120 40 SP6	200	3000	1.44	2
TOK 125 40 SP6	250	3000	1.59	2
TOK 130 40 SP6	300	3000	1.74	2
TOK 140 40 SP6	400	3000	2.04	2
TOK 145 40 SP6	450	3000	2.19	2
TOK 150 40 SP6	500	3000	2.35	2
TOK 160 40 SP6	600	3000	2.65	2
<b>5.0mm</b>				
CODE	Width W mm	Length L mm	KG 1 m	pcs
TOK 110 50 SP6	100	3000	1.78	2
TOK 115 50 SP6	150	3000	2.02	2
TOK 120 50 SP6	200	3000	2.25	2
TOK 125 50 SP6	250	3000	2.49	2
TOK 130 50 SP6	300	3000	2.73	2
TOK 140 50 SP6	400	3000	3.20	2
TOK 145 50 SP6	450	3000	3.44	2
TOK 150 50 SP6	500	3000	3.67	2
TOK 160 50 SP6	600	3000	4.14	2

### TOK H110 (Stainless Steel)



This diagram comply with IEC 61537 with connection to 1/5 of the span and the end span = 0,8x the span

Q = max. admissible load (kg/m)  
L = support distance (m)  
f = Deflection (mm) / Max. deflection = L/100  
Safely co-efficient = 1.5

Width	Usable Cross-Section
50	29 cm <sup>2</sup>
100	58 cm <sup>2</sup>
150	88 cm <sup>2</sup>
200	118 cm <sup>2</sup>
300	178 cm <sup>2</sup>
400	238 cm <sup>2</sup>
500	298 cm <sup>2</sup>
600	358 cm <sup>2</sup>

### APPLICATIONS

Cable routing

### MATERIAL

SS 304- Stainless Steel AISI 304L (S4)  
SS 316- Stainless steel AISI 316L (S6)

Available finishes:

EG: Electro-galvanized  
HDG-steel, hot-dip galv. to TS-EN ISO 1461:2011 (HDG)  
EP-Powder coating in a full range of colours (RAL)

Thickn. (ga) [mm]: **4.0 5.0**

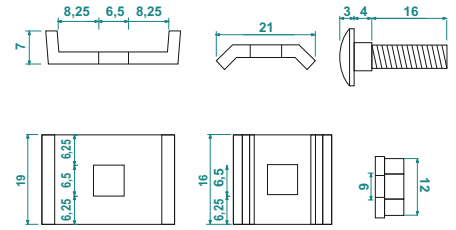
## Connector - TBE (Set : U30+U25+C M6 20+FS M6)

Birleştirme Elemanı - TBE (4 Parça: U30+U25+C M6 20+FS M6)

Соединители - TBE (в комп: U30+U25+C M6 20+FS M6)



### TBE



Suggested quantities TBE connectors (per each length of wire mesh cable trays)

Width	H:35	H:60	H:85	H:110
50	2	2		
100	2	2	2+1	2+1
150	2	2	2+1	2+1
200	2+1	2+1	2+2	2+2
250	2+1	2+1	2+2	2+2
300	2+2	2+2	2+3	2+3
400	2+2	2+2	2+3	2+3
450	2+2	2+2	2+3	2+3
500	2+3	2+3	2+4	2+4
600	2+3	2+3	2+4	2+4

### Galvanised

TBE			
CODE	Finish	kg 1 Set	pcs
TBE EG	EG	0.03	100
TBE HDG	DAK	0.03	100

EG: Electro zinc plated  
DAK: Dacromet

### Stainless Steel

TBE			
CODE	Finish	kg 1 Set	pcs
TBE S4	S4	0.03	100
TBE S6	S6	0.03	100

S4: Stainless steel AISI 304L  
S6: Stainless steel AISI 316L

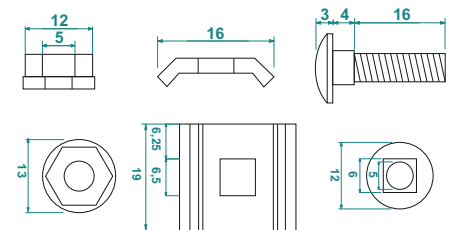
## Fixing Unit - TSE (Set : U25+C M6 20+FS M6)

Sabitleme Elemanları - TSE (3 Parça: U25+C M6 20+FS M6)

Фиксатор - TSE (в комп: U25+C M6 20+FS M6)



### TSE



Suggested quantities of TSE fixing (per bracket)

Width	Set / Bracket
50	1
100	1
150	1
200	2
250	2
300	2
400	2
450	2
500	2
600	2

### Galvanised

TSE			
CODE	Finish	kg 1 Set	pcs
TSE EG	EG	0.018	100
TSE HDG	DAK	0.018	100

EG: Electro zinc plated  
DAK: Dacromet

### Stainless Steel

TSE			
CODE	Finish	kg 1 Set	pcs
TSE S4	EG	0.018	100
TSE S6	DAK	0.018	100

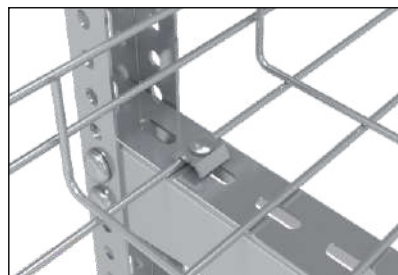
S4: Stainless steel AISI 304L  
S6: Stainless steel AISI 316L

## Mounting Examples

TBE



TSE



## APPLICATIONS

Cable routing

## MATERIAL & FINISH

STEEL GRADE for EG & HDG FINISH: SAE 1006

EG: Electro-galvanized (8-12 micron) EN ISO 2081  
HDG-steel, hot-dip galv. to TS-EN ISO 1461:2011 (HDG)  
SS-Stainless steel AISI 304L and AISI 316L (SS)

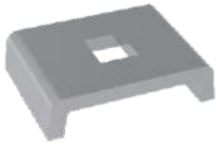
Available Finishes:

EP-Powder coating in a full range of colours (RAL)

Thickn. (ga) [mm]: 4.0 4.5 5.0

## Connector piece - U30

Bağlantı Parçası - U30 Шайба U30 для соединения проволочного лотка



### Galvanised

U30				
CODE	Finish	Length L, mm	kg 1 pc	pcs
U30 EG	EG	30	0.012	100
U30 HDG	DAK	30	0.012	100

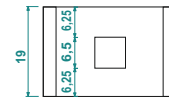
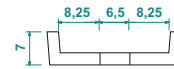
EG: Electro-zinc plated  
DAK: Dacromet

### Stainless Steel

U30				
CODE	Finish	Length L, mm	kg 1 pc	pcs
U30 S4	S4	30	0.012	100
U30 S6	S6	30	0.012	100

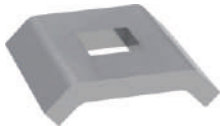
S4: Stainless steel AISI 304L  
S6: Stainless steel AISI 316L

## U30



## Connector Piece - U25

Bağlantı Parçası - U25 Шайба U25 для соединения проволочного лотка



### Galvanised

U25				
CODE	Finish	Length L, mm	kg 1 pc	pcs
U25 EG	EG	25	0.009	100
U25 HDG	DAK	25	0.009	100

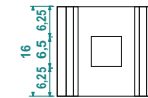
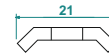
EG: Electro-zinc plated  
DAK: Dacromet

### Stainless Steel

U25				
CODE	Finish	Length L, mm	kg 1 pc	pcs
U25 S4	S4	25	0.009	100
U25 S6	S6	25	0.009	100

S4: Stainless steel AISI 304L  
S6: Stainless steel AISI 316L

## U25



## Round Head Squire Neck Bolt

Yuvarlak Başlıklı Kare Boyunlu Kanal Civatası

Болты с грибовидной головкой и квадратным подголовником



### Galvanised

C M6 20				
CODE	Finish	Size	kg 1 pc	pcs
C M6 20 EG	EG	M6x20	0.007	100
C M6 20 HDG	DAK	M6x20	0.007	100

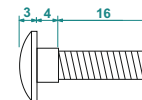
EG: Electro-zinc plated  
DAK: Dacromet

### Stainless Steel

C M6 20				
CODE	Finish	Size	kg 1 pc	pcs
C M6 20 S4	A2	M6x20	0.007	100
C M6 20 S6	A4	M6x20	0.007	100

A2: Stainless steel AISI 304L  
A4: Stainless steel AISI 316L

## C M6 20



## DIN 6923 Flanged Nut

DIN 6923 Flanşlı Somun

Гайки с насечкой



### Galvanised

FS M6				
CODE	Finish	Size	kg 1 pc	pcs
FS M6 EG	EG	M6	0.002	100
FS M6 HDG	DAK	M6	0.002	100

EG: Electro-zinc plated  
DAK: Dacromet

### Stainless Steel

FS M6				
CODE	Finish	Size	kg 1 pc	pcs
FS M6 S4	A2	M6	0.002	100
FS M6 S6	A4	M6	0.002	100

A2: Stainless steel AISI 304L  
A4: Stainless steel AISI 316L

## FS M6



### APPLICATIONS

Cable routing

### MATERIAL & FINISH

STEEL GRADE for EG & HDG FINISH: SAE 1006

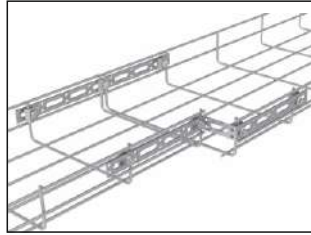
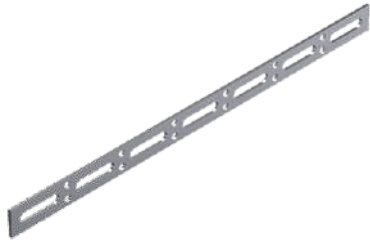
EG: Electro-galvanized (8-12 micron) EN ISO 2081  
HDG-steel, hot-dip galv. to TS-EN ISO 1461:2011 (HDG)  
SS-Stainless steel AISI 304L and AISI 316L (SS)

### Available Finishes:

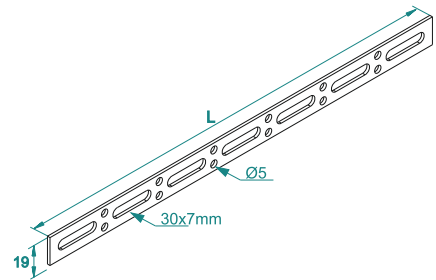
EP-Powder coating in a full range of colours (RAL)

## Multipurpose Connection Strip

Birleştirme Şeridi - Соединительная пластина



VBE



Galvanised

VBE				
CODE	Finish	Length L, mm	kg 1 pc	pcs
VBE 3 PG	PG	300	0.045	100
VBE 6 PG	PG	600	0.090	50
VBE 12 PG	PG	1200	0.180	20
VBE 3 HDG	DAK	300	0.045	100
VBE 6 HDG	DAK	600	0.090	50
VBE 12 HDG	DAK	1200	0.180	20

PG: Pregalvanised steel  
DAK: Dacromet

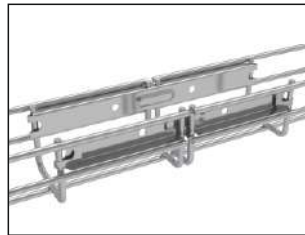
Stainless Steel

VBE				
CODE	Finish	Length L, mm	kg 1 pc	pcs
VBE 3 S4	S4	300	0.045	100
VBE 6 S4	S4	600	0.090	50
VBE 12 S4	S4	1200	0.180	20
VBE 3 S6	S6	300	0.045	100
VBE 6 S6	S6	600	0.090	50
VBE 12 S6	S6	1200	0.180	20

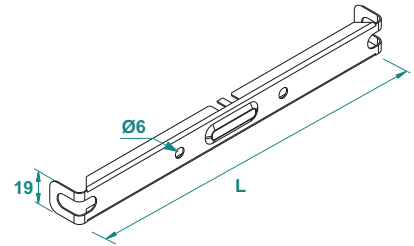
S4: Stainless steel AISI 304L  
S6: Stainless steel AISI 316L

## Boltless Connector

Vidasız Birleştirme Elemanı - Соединитель безболтовой



HBE



Galvanised

HBE				
CODE	Finish	Length L, mm	kg 1 pc	pcs
HBE PG	PG	220	0.080	50
HBE HDG	DAK	220	0.080	50

PG: Pregalvanised steel  
DAK: Dacromet

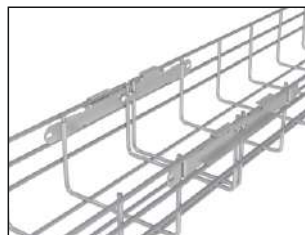
Stainless Steel

HBE				
CODE	Finish	Length L, mm	kg 1 pc	pcs
HBE S4	S4	220	0.080	50
HBE S6	S6	220	0.080	50

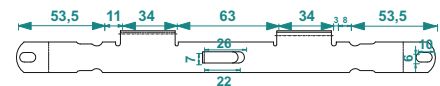
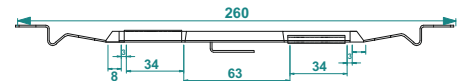
S4: Stainless steel AISI 304L  
S6: Stainless steel AISI 316L

## Straight Quick Connector

Hızlı Birleştirme Elemanı - Быстрый соединитель



GBE



APPLICATIONS  
Cable routing

MATERIAL & FINISH  
STEEL GRADE for EG & HDG FINISH: SAE 1006

EG: Electro-galvanized (8-12 micron) EN ISO 2081  
HDG-steel, hot-dip galv. to TS-EN ISO 1461:2011 (HDG)  
SS-Stainless steel AISI 304L and AISI 316L (SS)

Available Finishes:  
EP-Powder coating in a full range of colours (RAL)

Galvanised

GBE				
CODE	Finish	Length L, mm	kg 1 pc	pcs
GBE PG	PG	260	0.100	50
GBE HDG	DAK	260	0.100	50

PG: Pregalvanised steel  
DAK: Dacromet

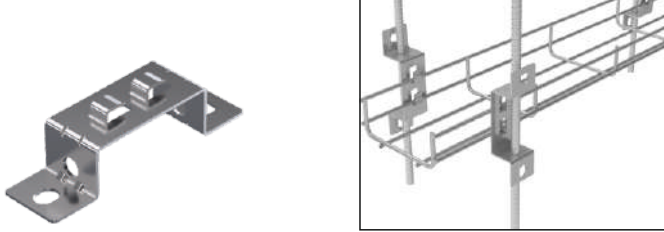
Stainless Steel

GBE				
CODE	Finish	Length L, mm	kg 1 pc	pcs
GBE S4	S4	260	0.100	50
GBE S6	S6	260	0.100	50

S4: Stainless steel AISI 304L  
S6: Stainless steel AISI 316L

## Hanger / Side Support

Taşıyıcı / Yandan Askı Elemanı - Боковой держатель



### Galvanised

HC				
CODE	Finish	Size	kg 1 pc	pcs
HC PG	PG	113X30	0.050	100
HC HDG	DAK	113X30	0.050	100

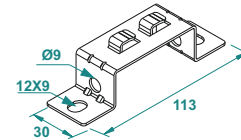
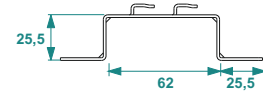
PG: Pregalvanised steel  
DAK: Dacromet

### Stainless Steel

HC				
CODE	Finish	Size	kg 1 pc	pcs
HC S4	S4	113x30	0.050	100
HC S6	S6	113x30	0.050	100

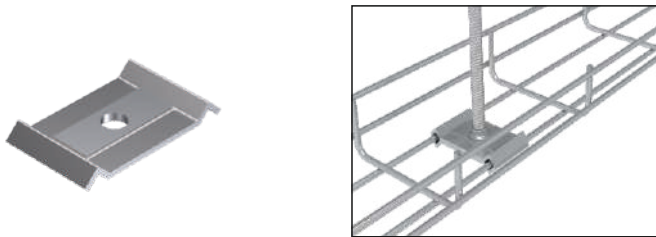
S4: Stainless steel AISI 304L  
S6: Stainless steel AISI 316L

### HC



## Suspension Clamp / Central Support

Ortadan Tek Tijli Taşıyıcı / Konsola Sabitleme Elemanı - Центральный подвес / Фиксатор



### Galvanised

SC				
CODE	Finish	Size	kg 1 pc	pcs
SC EG	EG	60x35	0.040	100
SC HDG	DAK	60x35	0.040	100

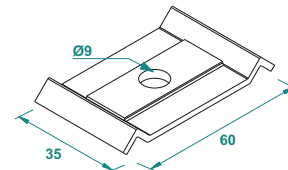
PG: Pregalvanised steel  
DAK: Dacromet

### Stainless Steel

SC				
CODE	Finish	Size	kg 1 pc	pcs
SC S4	S4	60x35	0.040	100
SC S6	S6	60x35	0.040	100

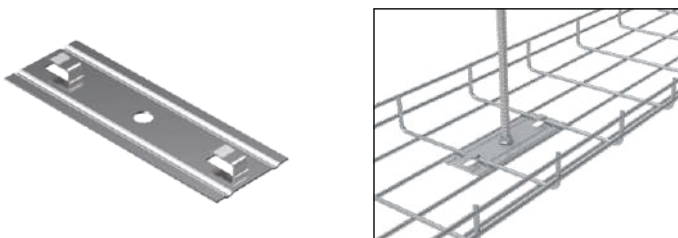
S4: Stainless steel AISI 304L  
S6: Stainless steel AISI 316L

### SC



## Hanger / Central Support

Tijli Askı Elemanı - Центральный подвес



### Galvanised

H10				
CODE	Finish	Length L, mm	kg 1 pc	pcs
H10 PG	PG	130	0.052	50
H10 HDG	DAK	130	0.052	50

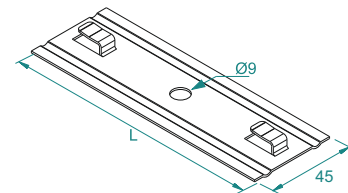
PG: Pregalvanised steel  
DAK: Dacromet

### Stainless Steel

H10				
CODE	Finish	Length L, mm	kg 1 pc	pcs
H10 S4	S4	130	0.052	50
H10 S6	S6	130	0.052	50

S4: Stainless steel AISI 304L  
S6: Stainless steel AISI 316L

### H10



APPLICATIONS  
Cable routing

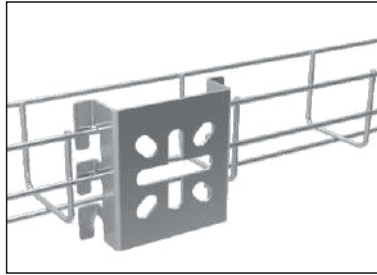
MATERIAL & FINISH  
STEEL GRADE for EG & HDG FINISH: SAE 1006

EG: Electro-galvanized (8-12 micron) EN ISO 2081  
HDG-steel, hot-dip galv. to TS-EN ISO 1461:2011 (HDG)  
SS-Stainless steel AISI 304L and AISI 316L (SS)

Available Finishes:  
EP-Powder coating in a full range of colours (RAL)

## Wall Bracket and Boxes Fixing Support

Duvar Konsolu ve Kutu Montaj Elemanı (Tel Kanal) - Универсальная пластина



### Galvanised

MSB				
CODE	Finish	Size	kg 1 pc	pcs
MSB PG	PG	85x75	0.100	50
MSB HDG	DAK	85x75	0.100	50

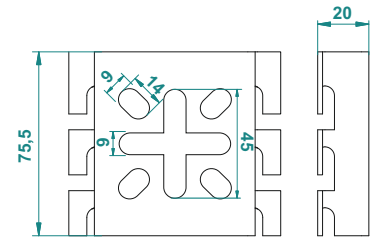
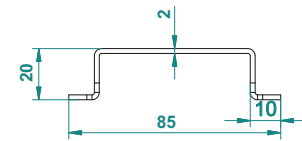
PG: Pregalvanised steel  
DAK: Dacromet

### Stainless Steel

MSB				
CODE	Finish	Size	kg 1 pc	pcs
MSB S4	S4	85x75	0.100	50
MSB S6	S6	85x75	0.100	50

S4: Stainless steel AISI 304L  
S6: Stainless steel AISI 316L

### MSB



## D16-20mm Pipe Mount Spider Bracket

Ø 16-20mm Boru Montaj Elemanı (Tel Kanal) - Монтажная пластина для крепления труб 16-20мм



### Galvanised

BSB				
CODE	Finish	Size	kg 1 pc	pcs
BSB PG	PG	85x75	0.100	50
BSB HDG	DAK	85x75	0.100	50

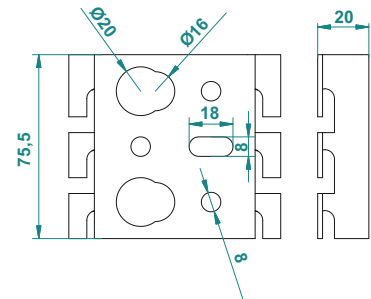
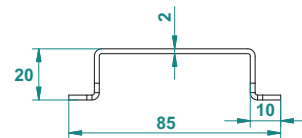
PG: Pregalvanised steel  
DAK: Dacromet

### Stainless Steel

BSB				
CODE	Finish	Size	kg 1 pc	pcs
BSB S4	S4	85x75	0.100	50
BSB S6	S6	85x75	0.100	50

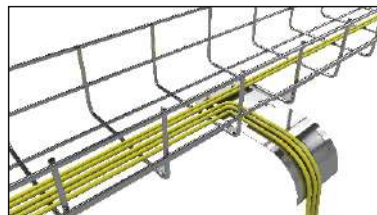
S4: Stainless steel AISI 304L  
S6: Stainless steel AISI 316L

### BSB



## Cable Guider - CG

Kablo İniş Elemanı (Tırnaklı) - Отвод кабеля



### Galvanised

CG				
CODE	Finish	Size	kg 1 pc	pcs
CG PG	PG	80x135	0.150	50
CG HDG	DAK	80x135	0.150	50

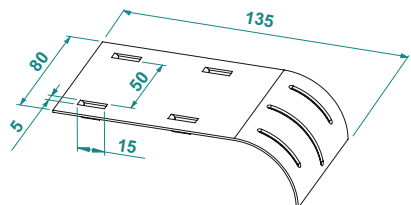
PG: Pregalvanised steel  
DAK: Dacromet

### Stainless Steel

CG				
CODE	Finish	Size	kg 1 pc	pcs
CG S4	S4	80x135	0.150	50
CG S6	S6	80x135	0.150	50

S4: Stainless steel AISI 304L  
S6: Stainless steel AISI 316L

### CG



### APPLICATIONS

Cable routing

### MATERIAL & FINISH

STEEL GRADE FOR EG & HDG FINISH: SAE 1006

EG: Electro-galvanized (8-12 micron) EN ISO 2081  
HDG-steel, hot-dip galv. to TS-EN ISO 1461:2011 (HDG)  
SS-Stainless steel AISI 304L and AISI 316L (SS)

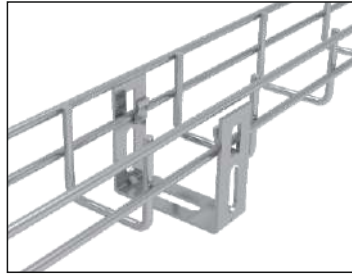
### Available Finishes:

EP-Powder coating in a full range of colours (RAL)



## 50 Floor Stand

50 Kanal Destek (Yere ve Duvara Montaj Elemanı) - Держатель сетчатого лотка, 50mm



### Galvanised

FWS 50				
CODE	Finish	Size	KG 1 pc	pcs
FWS 50 PG	PG	70x70	0.080	50
FWS 50 HDG	DAK	70x70	0.080	50

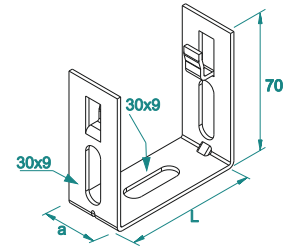
PG: Pregalvanised steel  
DAK: Dacromet

### Stainless Steel

FWS 50				
CODE	Finish	Size	KG 1 pc	pcs
FWS 50 S4	S4	70x70	0.080	50
FWS 50 S6	S6	70x70	0.080	50

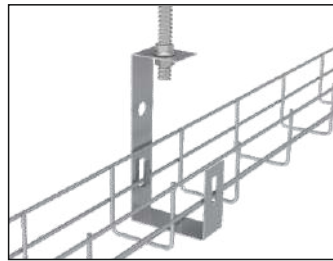
S4: Stainless steel AISI 304L  
S6: Stainless steel AISI 316L

### FWS 50



## 50 Single Rod Ceiling Bracket (M8)

50 Kanal Tek Tijli Askı Konsolu - Подвес сетчатого лотка, 50mm



### Galvanised

CWS 50				
CODE	Finish	Size	KG 1 pc	pcs
CWS 50 PG	PG	70x130	0.120	50
CWS 50 HDG	DAK	70x130	0.120	50

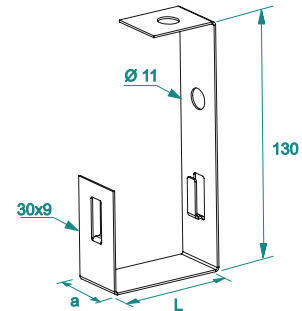
PG: Pregalvanised steel  
DAK: Dacromet

### Stainless Steel

CWS 50				
CODE	Finish	Size	KG 1 pc	pcs
CWS 50 S4	S4	70x130	0.120	50
CWS 50 S6	S6	70x130	0.120	50

S4: Stainless steel AISI 304L  
S6: Stainless steel AISI 316L

### CWS 50



## Wire Mesh Hanging Bracket

Tel Kanal Omega Askı Konsolu - Потолочная статина для проволочного лотка



### Galvanised

OHB				
CODE	Finish	Size	KG 1 pc	pcs
OHB EG	EG		0.521	10
OHB HDG	DAK		0.521	10

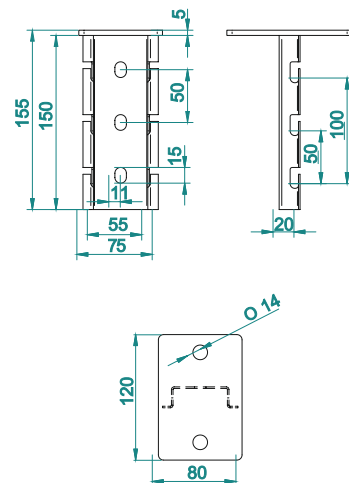
PG: Pregalvanised steel  
DAK: Dacromet

### Stainless Steel

OHB				
CODE	Finish	Size	KG 1 pc	pcs
OHB S4	S4		0.521	10
OHB S6	S6		0.521	10

S4: Stainless steel AISI 304L  
S6: Stainless steel AISI 316L

### OHB 50



### APPLICATIONS

Cable routing

### MATERIAL & FINISH

STEEL GRADE for EG & HDG FINISH: SAE 1006

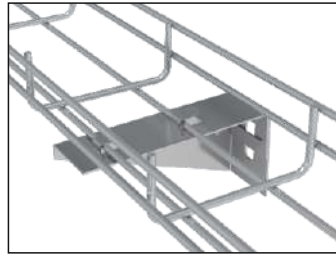
EG: Electro-galvanized (8-12 micron) EN ISO 2081  
HDG-steel, hot-dip galv. to TS-EN ISO 1461:2011 (HDG)  
SS-Stainless steel AISI 304L and AISI 316L (SS)

### Available Finishes:

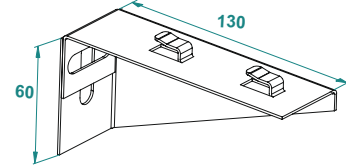
EP-Powder coating in a full range of colours (RAL)

## Support For Wall Mounting

Tırnaklı Duvar Konsolu - Настенный кронштейн



WBH 10



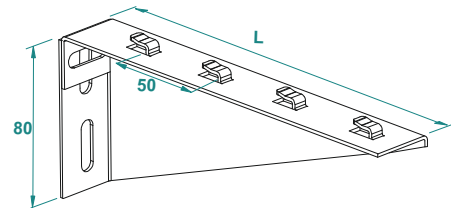
### Pre-Galvanised

WBH	PG			
CODE	Width of Tray	Length L, mm	Kg 1 pc	pcs
WBH 10 PG	100	130	0.150	50
WBH 15 PG	150	180	0.194	50
WBH 20 PG	200	230	0.233	50
WBH 25 PG	250	280	0.260	50
WBH 30 PG	300	330	0.370	50
WBH 40 PG	400	430	0.570	50
WBH 45 PG	450	480	0.640	25
WBH 50 PG	500	530	0.710	25
WBH 60 PG	600	630	0.850	25

### Hot Dip Galvanised

WBH	HDG			
CODE	Width of Tray	Length L, mm	Kg 1 pc	pcs
WBH 10 HDG	100	130	0.150	50
WBH 15 HDG	150	180	0.194	50
WBH 20 HDG	200	230	0.233	50
WBH 25 HDG	250	280	0.260	50
WBH 30 HDG	300	330	0.370	50
WBH 40 HDG	400	430	0.570	50
WBH 45 HDG	450	480	0.640	25
WBH 50 HDG	500	530	0.710	25
WBH 60 HDG	600	630	0.850	25

WBH 20 - WBH 60



### Stainless Steel AISI 304

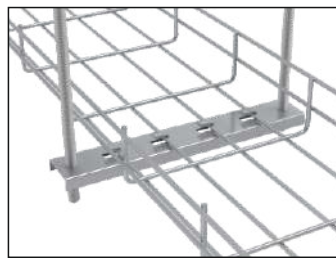
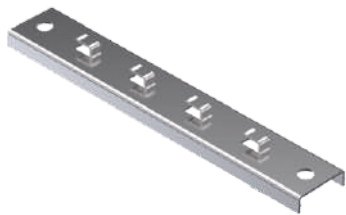
WBH	S4			
CODE	Width of Tray	Length L, mm	Kg 1 pc	pcs
WBH 10 S4	100	130	0.150	50
WBH 15 S4	150	180	0.194	50
WBH 20 S4	200	230	0.233	50
WBH 25 S4	250	280	0.260	50
WBH 30 S4	300	330	0.370	50
WBH 40 S4	400	430	0.570	50
WBH 45 S4	450	480	0.640	25
WBH 50 S4	500	530	0.710	25
WBH 60 S4	600	630	0.850	25

### Stainless Steel AISI 316

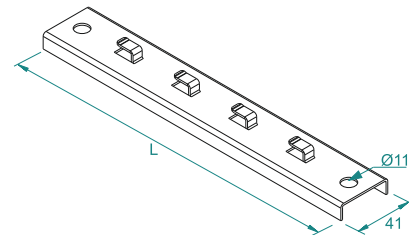
WBH	S6			
CODE	Width of Tray	Length L, mm	Kg 1 pc	pcs
WBH 10 S6	100	130	0.150	50
WBH 15 S6	150	180	0.194	50
WBH 20 S6	200	230	0.233	50
WBH 25 S6	250	280	0.260	50
WBH 30 S6	300	330	0.370	50
WBH 40 S6	400	430	0.570	50
WBH 45 S6	450	480	0.640	25
WBH 50 S6	500	530	0.710	25
WBH 60 S6	600	630	0.850	25

## Hanging Rail / Central Support

Çift Tijli Kanal Taşıyıcı (Tırnaklı) - Профиль для подвеса проволочных лотков



HR



### Pre-Galvanised

HR	PG			
CODE	Width of Tray	Length L, mm	Kg 1 pc	pcs
HR 10 PG	100	160	0.100	50
HR 15 PG	150	210	0.141	50
HR 20 PG	200	260	0.175	50
HR 25 PG	250	310	0.208	50
HR 30 PG	300	360	0.242	50
HR 40 PG	400	460	0.309	50
HR 45 PG	450	510	0.340	25
HR 50 PG	500	560	0.376	25
HR 60 PG	600	660	0.443	25

### Hot Dip Galvanised

HR	HDG			
CODE	Width of Tray	Length L, mm	Kg 1 pc	pcs
HR 10 HDG	100	160	0.100	50
HR 15 HDG	150	210	0.141	50
HR 20 HDG	200	260	0.175	50
HR 25 HDG	250	310	0.208	50
HR 30 HDG	300	360	0.242	50
HR 40 HDG	400	460	0.309	50
HR 45 HDG	450	510	0.340	25
HR 50 HDG	500	560	0.376	25
HR 60 HDG	600	660	0.443	25

### Stainless Steel AISI 304

HR	S4			
CODE	Width of Tray	Length L, mm	Kg 1 pc	pcs
HR 10 S4	100	160	0.100	50
HR 15 S4	150	210	0.141	50
HR 20 S4	200	260	0.175	50
HR 25 S4	250	310	0.208	50
HR 30 S4	300	360	0.242	50
HR 40 S4	400	460	0.309	50
HR 45 S4	450	510	0.340	25
HR 50 S4	500	560	0.376	25
HR 60 S4	600	660	0.443	25

### Stainless Steel AISI 316

HR	S6			
CODE	Width of Tray	Length L, mm	Kg 1 pc	pcs
HR 10 S6	100	160	0.100	50
HR 15 S6	150	210	0.141	50
HR 20 S6	200	260	0.175	50
HR 25 S6	250	310	0.208	50
HR 30 S6	300	360	0.242	50
HR 40 S6	400	460	0.309	50
HR 45 S6	450	510	0.340	25
HR 50 S6	500	560	0.376	25
HR 60 S6	600	660	0.443	25

APPLICATIONS  
Cable routing

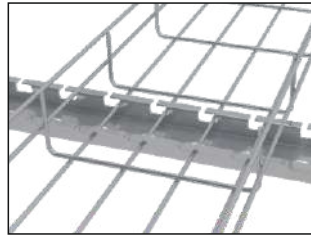
MATERIAL & FINISH  
STEEL GRADE for EG & HDG FINISH: SAE 1006

EG: Electro-galvanized (8-12 micron) EN ISO 2081  
HDG: steel, hot-dip galv. to TS-EN ISO 1461:2011 (HDG)  
SS: Stainless steel AISI 304L and AISI 316L (SS)

Available Finishes:  
EP: Powder coating in a full range of colours (RAL)

## Wire Mesh Omega Support Hanger

Tel Kanal Omega Askı Profili - Профиль для вертикального подвеса проволочных лотков



### Pre-Galvanised

OMG	PG	2.0mm	
CODE	Length L, mm	kg 1 pc	pcs
OMG 100 PG	1000	1.520	2
OMG 150 PG	1500	2.280	2
OMG 200 PG	2000	3.040	2
OMG 250 PG	2500	3.800	2
OMG 300 PG	3000	4.560	2

### Hot Dip Galvanised

OMG	HDG	2.0mm	
CODE	Length L, mm	kg 1 pc	pcs
OMG 100 HDG	1000	1.520	2
OMG 150 HDG	1500	2.280	2
OMG 200 HDG	2000	3.040	2
OMG 250 HDG	2500	3.800	2
OMG 300 HDG	3000	4.560	2

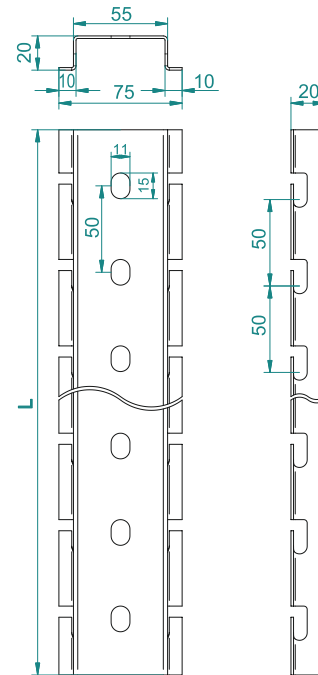
### Pre-Galvanised

OMG	S4	2.0mm	
CODE	Length L, mm	kg 1 pc	pcs
OMG 100 S4	1000	1.520	2
OMG 150 S4	1500	2.280	2
OMG 200 S4	2000	3.040	2
OMG 250 S4	2500	3.800	2
OMG 300 S4	3000	4.560	2

### Hot Dip Galvanised

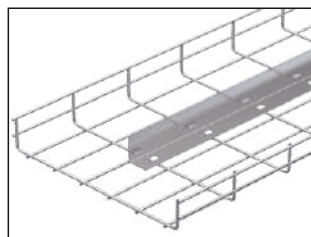
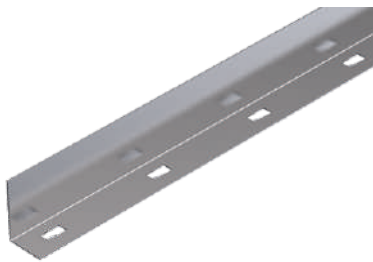
OMG	S6	2.0mm	
CODE	Length L, mm	kg 1 pc	pcs
OMG 100 S6	1000	1.520	2
OMG 150 S6	1500	2.280	2
OMG 200 S6	2000	3.040	2
OMG 250 S6	2500	3.800	2
OMG 300 S6	3000	4.560	2

## OMG



## Barrier Strip Hook Type

Separatör (Tırnaklı, Tel Kanal İçin) - Перегородка проволочного лотка



### Pre-Galvanised

BS	PG			
CODE	Height H, mm	Length L, mm	kg 1 pc	pcs
BS 35 PG	25	3000	0.432	1
BS 60 PG	50	3000	0.628	1
BS 85 PG	75	3000	0.824	1
BS 110 PG	100	3000	1.021	1

### Hot Dip Galvanised

BS	HDG			
CODE	Height H, mm	Length L, mm	kg 1 pc	pcs
BS 35 HDG	25	3000	0.518	1
BS 60 HDG	50	3000	0.754	1
BS 85 HDG	75	3000	1.236	1
BS 110 HDG	100	3000	1.532	1

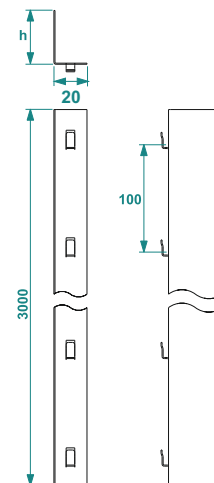
### Stainless Steel AISI 304

BS	S4			
CODE	Height H, mm	Length L, mm	kg 1 pc	pcs
BS 35 S4	25	3000	0.432	1
BS 60 S4	50	3000	0.628	1
BS 85 S4	75	3000	0.824	1
BS 110 S4	100	3000	1.021	1

### Stainless Steel AISI 316

BS	S6			
CODE	Height H, mm	Length L, mm	kg 1 pc	pcs
BS 35 S6	25	3000	0.432	1
BS 60 S6	50	3000	0.628	1
BS 85 S6	75	3000	0.824	1
BS 110 S6	100	3000	1.021	1

## BS



**APPLICATIONS**  
Cable routing

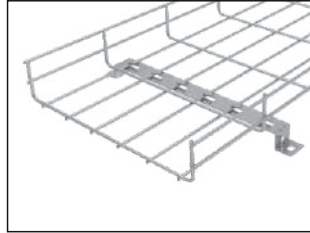
**MATERIAL & FINISH**  
STEEL GRADE for EG & HDG FINISH: SAE 1006

EG: Electro-galvanized (8-12 micron) EN ISO 2081  
HDG-steel, hot-dip galv. to TS-EN ISO 1461:2011 (HDG)  
SS-Stainless steel AISI 304L and AISI 316L (SS)

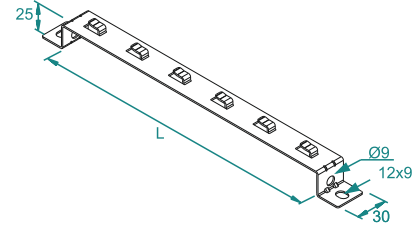
**Available Finishes:**  
EP-Powder coating in a full range of colours (RAL)

## Support For Floor and Wall Mounting

Yere Duvara Tespit Elemanı (Tırnaklı) - Напольный/настенный кронштейн



**FWH**



### Pre-Galvanised

FWH	PG			
CODE	Width of Tray	Length L, mm	kg 1 pc	pcs
FWH 10 PG	100	100	0.140	50
FWH 15 PG	150	150	0.180	50
FWH 20 PG	200	200	0.210	50
FWH 25 PG	250	250	0.250	50
FWH 30 PG	300	300	0.280	50
FWH 40 PG	400	400	0.350	50
FWH 45 PG	450	450	0.390	25
FWH 50 PG	500	500	0.420	25
FWH 60 PG	600	600	0.490	25

### Hot Dip Galvanised

FWH	HDG			
CODE	Width of Tray	Length L, mm	kg 1 pc	pcs
FWH 10 HDG	100	100	0.140	50
FWH 15 HDG	150	150	0.180	50
FWH 20 HDG	200	200	0.210	50
FWH 25 HDG	250	250	0.250	50
FWH 30 HDG	300	300	0.280	50
FWH 40 HDG	400	400	0.350	50
FWH 45 HDG	450	450	0.390	25
FWH 50 HDG	500	500	0.420	25
FWH 60 HDG	600	600	0.490	25

### Stainless Steel AISI 304

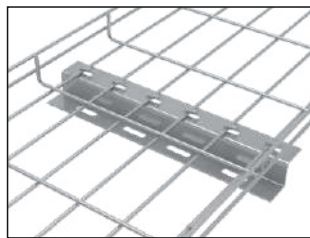
FWH	S4			
CODE	Width of Tray	Length L, mm	kg 1 pc	pcs
FWH 10 S4	100	100	0.140	50
FWH 15 S4	150	150	0.180	50
FWH 20 S4	200	200	0.210	50
FWH 25 S4	250	250	0.250	50
FWH 30 S4	300	300	0.280	50
FWH 40 S4	400	400	0.350	50
FWH 45 S4	450	450	0.390	25
FWH 50 S4	500	500	0.420	25
FWH 60 S4	600	600	0.490	25

### Stainless Steel AISI 316

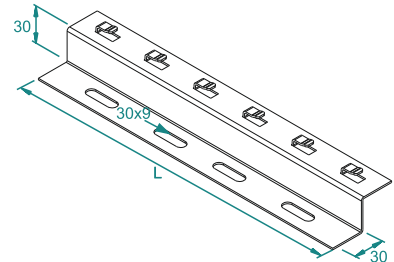
FWH	S6			
CODE	Width of Tray	Length L, mm	kg 1 pc	pcs
FWH 10 S6	100	100	0.140	50
FWH 15 S6	150	150	0.180	50
FWH 20 S6	200	200	0.210	50
FWH 25 S6	250	250	0.250	50
FWH 30 S6	300	300	0.280	50
FWH 40 S6	400	400	0.350	50
FWH 45 S6	450	450	0.390	25
FWH 50 S6	500	500	0.420	25
FWH 60 S6	600	600	0.490	25

## Z Support for Floor and Wall Mounting

Z Tipi Yere Duvara Tespit Elemanı (Tırnaklı) - Z-образный кронштейн



**ZFW**



### Pre-Galvanised

ZFW	PG			
CODE	Width of Tray	Length L, mm	kg 1 pc	pcs
ZFW 10 PG	100	100	0.110	50
ZFW 15 PG	150	150	0.160	50
ZFW 20 PG	200	200	0.210	50
ZFW 25 PG	250	250	0.260	50
ZFW 30 PG	300	300	0.420	50
ZFW 40 PG	400	400	0.570	50
ZFW 45 PG	450	450	0.640	25
ZFW 50 PG	500	500	0.710	25
ZFW 60 PG	600	600	0.850	25

### Hot Dip Galvanised

ZFW	HDG			
CODE	Width of Tray	Length L, mm	kg 1 pc	pcs
ZFW 10 HDG	100	100	0.110	50
ZFW 15 HDG	150	150	0.160	50
ZFW 20 HDG	200	200	0.210	50
ZFW 25 HDG	250	250	0.260	50
ZFW 30 HDG	300	300	0.420	50
ZFW 40 HDG	400	400	0.570	50
ZFW 45 HDG	450	450	0.640	25
ZFW 50 HDG	500	500	0.710	25
ZFW 60 HDG	600	600	0.850	25

### Stainless Steel AISI 304

ZFW	S4			
CODE	Width of Tray	Length L, mm	kg 1 pc	pcs
ZFW 10 S4	100	100	0.110	50
ZFW 15 S4	150	150	0.160	50
ZFW 20 S4	200	200	0.210	50
ZFW 25 S4	250	250	0.260	50
ZFW 30 S4	300	300	0.420	50
ZFW 40 S4	400	400	0.570	50
ZFW 45 S4	450	450	0.640	25
ZFW 50 S4	500	500	0.710	25
ZFW 60 S4	600	600	0.850	25

### Stainless Steel AISI 316

ZFW	S6			
CODE	Width of Tray	Length L, mm	kg 1 pc	pcs
ZFW 10 S6	100	100	0.110	50
ZFW 15 S6	150	150	0.160	50
ZFW 20 S6	200	200	0.210	50
ZFW 25 S6	250	250	0.260	50
ZFW 30 S6	300	300	0.420	50
ZFW 40 S6	400	400	0.570	50
ZFW 45 S6	450	450	0.640	25
ZFW 50 S6	500	500	0.710	25
ZFW 60 S6	600	600	0.850	25

### APPLICATIONS

Cable routing

### MATERIAL & FINISH

STEEL GRADE for EG & HDG FINISH: SAE 1006

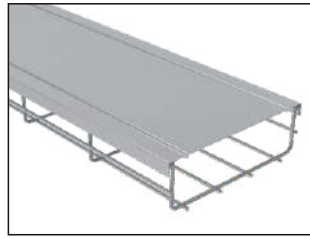
EG: Electro-galvanized (8-12 micron) EN ISO 2081  
 HDG-steel, hot-dip galv. to TS-EN ISO 1461:2011 (HDG)  
 SS-Stainless steel AISI 304L and AISI 316L (SS)

### Available Finishes:

EP-Powder coating in a full range of colours (RAL)

## Cover of Wire Mesh Cable Tray

Tel Kanal Karağı - TTK Serisi - Крышка проволочного лотка



### Pre-Galvanised

TKK	PG	0.8mm		
CODE	Width a, mm	Length L, mm	kg 1 pc	pcs
TKK 05 08 PG	50	3000	0.628	2
TKK 10 08 PG	100	3000	0.942	2
TKK 15 08 PG	150	3000	1.256	2
TKK 20 08 PG	200	3000	1.570	2
1.0mm				
CODE	Width a, mm	Length L, mm	kg 1 pc	pcs
TKK 25 10 PG	250	3000	2.355	2
TKK 30 10 PG	300	3000	2.748	2
1.2mm				
CODE	Width a, mm	Length L, mm	kg 1 pc	pcs
TKK 40 12 PG	400	3000	4.239	2
TKK 45 12 PG	450	3000	4.710	2
TKK 50 12 PG	500	3000	5.181	2
TKK 60 12 PG	600	3000	6.123	2

### Hot Dip Galvanised

TKK	HDG	1.0mm		
CODE	Width a, mm	Length L, mm	kg 1 pc	pcs
TKK 05 10 HDG	50	3000	0.785	2
TKK 10 10 HDG	100	3000	1.178	2
TKK 15 10 HDG	150	3000	1.570	2
TKK 20 10 HDG	200	3000	1.963	2
1.2mm				
CODE	Width a, mm	Length L, mm	kg 1 pc	pcs
TKK 25 12 HDG	250	3000	2.826	2
TKK 30 12 HDG	300	3000	3.297	2
1.5mm				
CODE	Width a, mm	Length L, mm	kg 1 pc	pcs
TKK 40 15 HDG	400	3000	5.299	2
TKK 45 15 HDG	450	3000	5.888	2
TKK 50 15 HDG	500	3000	6.476	2
TKK 60 15 HDG	600	3000	7.654	2

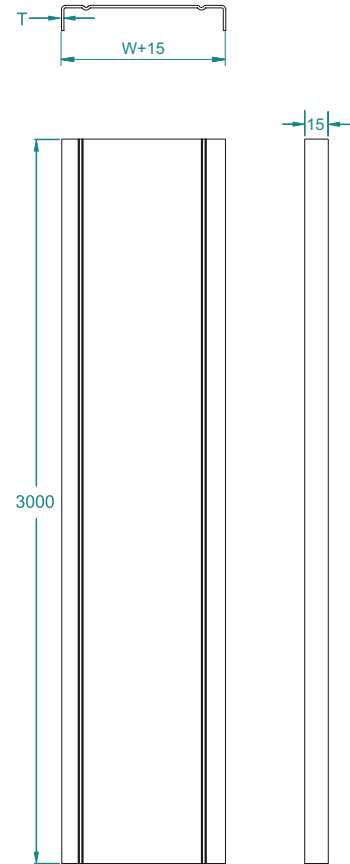
### Stainless Steel AISI 304

TKK	S4	0.8mm		
CODE	Width a, mm	Length L, mm	kg 1 pc	pcs
TKK 05 08 S4	50	3000	0.628	2
TKK 10 08 S4	100	3000	0.942	2
TKK 15 08 S4	150	3000	1.256	2
TKK 20 08 S4	200	3000	1.570	2
TKK 25 08 S4	250	3000	1.884	2
TKK 30 08 S4	300	3000	2.198	2
1.0mm				
CODE	Width a, mm	Length L, mm	kg 1 pc	pcs
TKK 40 10 S4	400	3000	3.533	2
TKK 45 10 S4	450	3000	3.925	2
TKK 50 10 S4	500	3000	4.318	2
TKK 60 10 S4	600	3000	5.103	2

### Stainless Steel AISI 316

TKK	S6	0.8mm		
CODE	Width a, mm	Length L, mm	kg 1 pc	pcs
TKK 05 08 S6	50	3000	0.628	2
TKK 10 08 S6	100	3000	0.942	2
TKK 15 08 S6	150	3000	1.256	2
TKK 20 08 S6	200	3000	1.570	2
TKK 25 08 S6	250	3000	1.884	2
TKK 30 08 S6	300	3000	2.198	2
1.0mm				
CODE	Width a, mm	Length L, mm	kg 1 pc	pcs
TKK 40 10 S6	400	3000	3.533	2
TKK 45 10 S6	450	3000	3.925	2
TKK 50 10 S6	500	3000	4.318	2
TKK 60 10 S6	600	3000	5.103	2

### TKK



### APPLICATIONS

Cable routing

### MATERIAL & FINISH

STEEL GRADE for EG & HDG FINISH: SAE 1006

EG: Electro-galvanized (8-12 micron) EN ISO 2081  
 HDG-steel, hot-dip galv. to TS-EN ISO 1461:2011 (HDG)  
 SS-Stainless steel AISI 304L and AISI 316L (SS)

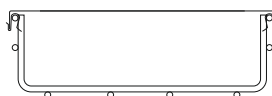
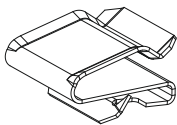
### Available Finishes:

EP-Powder coating in a full range of colours (RAL)

Thickn. (ga) [mm]: 0.8 1.0 1.2 1.5

## Universal Cover Clip

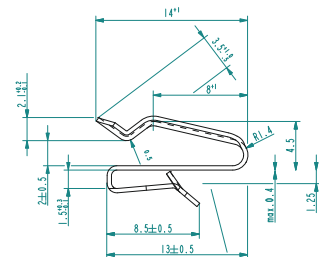
Tel Kanal Kapak Tutucu Klipsi - Фиксатор крышки проволочного лотка



### TK TEL

CODE	Steel T, mm	Wire Ø D, mm	kg 1 pc	pcs
TK TEL	0.8-1.5	4-5	0.002	100

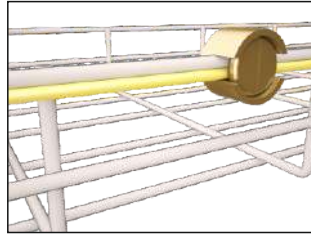
### TK TEL



MATERIAL & FINISH  
 C67S DIN EN 10132-4

## Earthing Clamp

Topraklama Elemanı - TPC - Pring - Заземлительный болт (латунь)

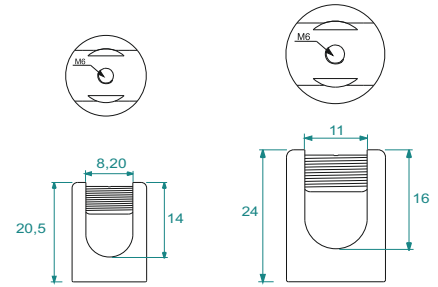


Brass

TPC				
CODE	Section mm <sup>2</sup>	Thread a, mm	kg 1 pc	pcs
TPC	1x35	M6	0.03	100
TPC 70	1x70	M6	0.05	100

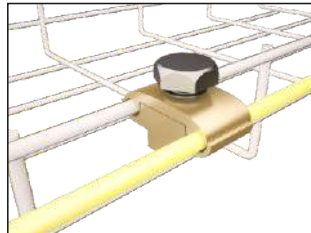
TPC

TPC 70



## Grounding Clamp 16x16

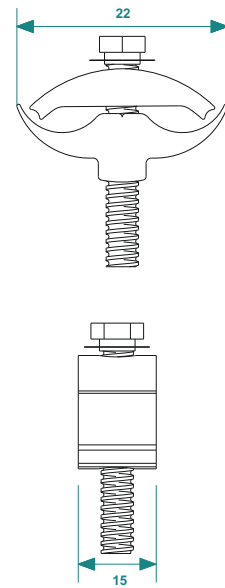
Topraklama Elemanı - TPP - Клема заземления



Brass

TPP				
CODE	Section mm <sup>2</sup>	Bolt	kg 1 pc	pcs
TPP	16-16	M6x30	0.035	100
TPP 25	25-25	M6x30	0.070	50

TPP



## Earthing Strap Grounding - Tin Plated

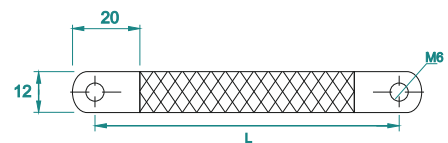
Topraklama Şeridi - TPS - Kalaylı - Шлейф заземления (медь)



Tin Plated Copper

TPS				
CODE	Section mm <sup>2</sup>	Length L, mm	kg 1 pc	pcs
TPS	6 mm <sup>2</sup>	80	0.008	100

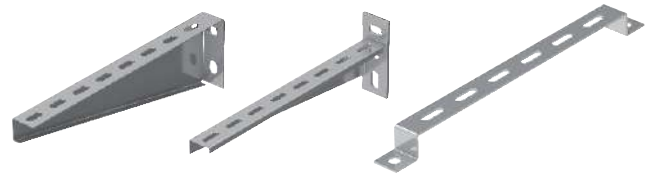
TPS



Tin Plated Copper

## Wall Support Systems

Duvar Destek Sistemleri  
Настенные подвесные элементы



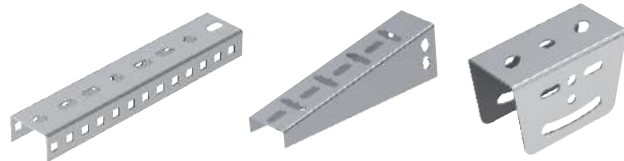
## Threaded rod systems

Tijli Askı Sistemleri  
Системы подвеса на шпильках



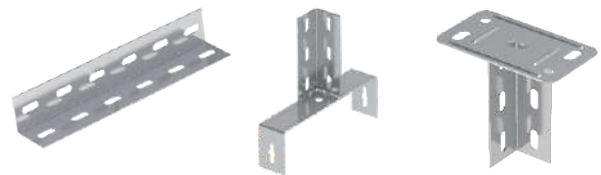
## U support systems

U destek Sistemleri  
Системы U-образных профелей



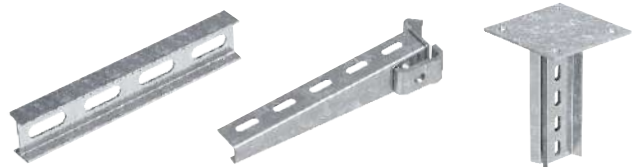
## L support systems

L destek Sistemleri  
Системы L-образных профелей



## I support systems

I destek Sistemleri  
Системы I-образных профелей



## C support systems

C destek Sistemleri  
Системы C-образных профелей



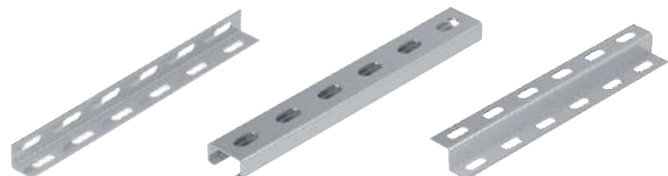
## Omega support systems

Omega destek Sistemi  
Несущая система омега профилей



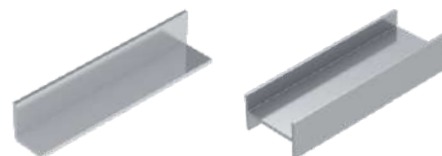
## Profiles

Profiller  
Профиля



## Steel Bars, Angles and Channels

Demirler  
Металлопрокат: Полоса, Уголок, Швеллер



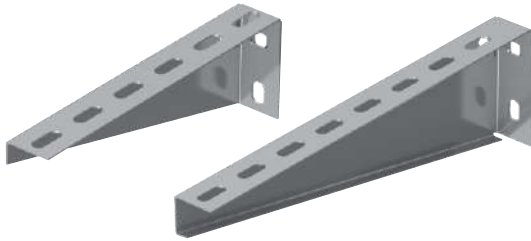
## Mounting & Fasteners

Bağlantı Elemanları ve Hırdavat  
Крепежные элементы для монтажа



## Wall Bracket

Duvar Konsolu - Настенная консоль, гнутая



### Pre-Galvanized

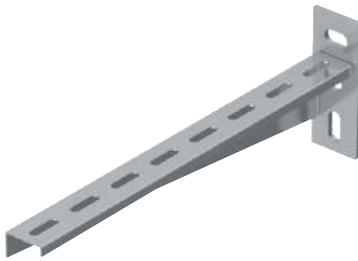
DK	PG			
CODE	Width of Tray	Length L mm	kg 1 pc	pcs
DK 05 PG	50	60	0,080	50
DK 10 PG	100	110	0,130	50
DK 15 PG	150	160	0,165	50
DK 20 PG	200	210	0,200	50
DK 30 PG	300	310	0,430	50
DK 40 PG	400	410	0,560	50
DK 50 PG	500	510	0,710	50
DK 60 PG	600	610	0,780	50

### Hot Dip Galvanized

DK	HDG			
CODE	Width of Tray	Length L mm	kg 1 pc	pcs
DK 05 HDG	50	60	0,084	50
DK 10 HDG	100	110	0,137	50
DK 15 HDG	150	160	0,173	50
DK 20 HDG	200	210	0,210	50
DK 30 HDG	300	310	0,452	50
DK 40 HDG	400	410	0,588	50
DK 50 HDG	500	510	0,746	50
DK 60 HDG	600	610	0,819	50

## Wall Bracket (Welded)

Duvar Konsolu (Kaynakli) - Настенная консоль, сварная



### Electro-Galvanised

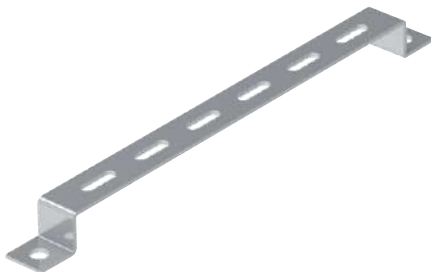
DKK	EG			
CODE	Width of Tray	Length L mm	kg 1 pc	pcs
DKK 05 EG	50	60	0,210	50
DKK 10 EG	100	110	0,250	50
DKK 15 EG	150	160	0,320	50
DKK 20 EG	200	210	0,380	50
DKK 25 EG	250	260	0,550	50
DKK 30 EG	300	310	0,630	50
DKK 40 EG	400	410	0,750	25
DKK 50 EG	500	510	1,050	25
DKK 60 EG	600	610	1,210	25

### Hot Dip Galvanized

DKK	HDG			
CODE	Width of Tray	Length L mm	kg 1 pc	pcs
DKK 05 HDG	50	60	0,211	50
DKK 10 HDG	100	110	0,263	50
DKK 15 HDG	150	160	0,336	50
DKK 20 HDG	200	210	0,399	50
DKK 25 HDG	250	260	0,578	50
DKK 30 HDG	300	310	0,662	50
DKK 40 HDG	400	410	0,788	25
DKK 50 HDG	500	510	1,103	25
DKK 60 HDG	600	610	1,271	25

## Brackets for Wall & Floor Mounting

Yere ve Duvara Tespit Elemanı - Настенно-напольная консоль



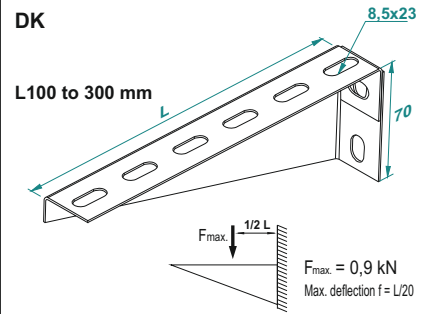
### Electro-Galvanised

YDT	PG			
CODE	Width of Tray	Length L mm	kg 1 pc	pcs
YDT 310 PG	100	100	0,140	50
YDT 315 PG	150	150	0,180	50
YDT 320 PG	200	200	0,210	50
YDT 325 PG	250	250	0,250	50
YDT 330 PG	300	300	0,280	50
YDT 340 PG	400	400	0,350	50
YDT 345 PG	450	450	0,390	25
YDT 350 PG	500	500	0,420	25
YDT 360 PG	600	610	0,490	25

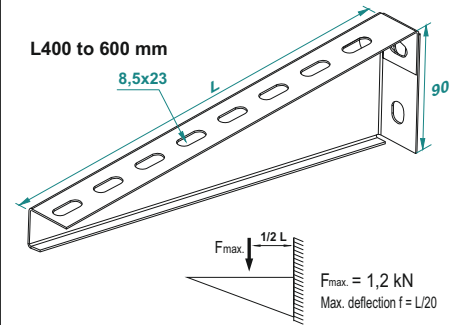
### Hot Dip Galvanized

YDT	HDG			
CODE	Width of Tray	Length L mm	kg 1 pc	pcs
YDT 310 HDG	100	100	0,147	50
YDT 315 HDG	150	150	0,189	50
YDT 320 HDG	200	200	0,221	50
YDT 325 HDG	250	250	0,263	50
YDT 330 HDG	300	300	0,294	50
YDT 340 HDG	400	400	0,368	50
YDT 345 HDG	450	450	0,410	25
YDT 350 HDG	500	500	0,441	25
YDT 360 HDG	600	610	0,515	25

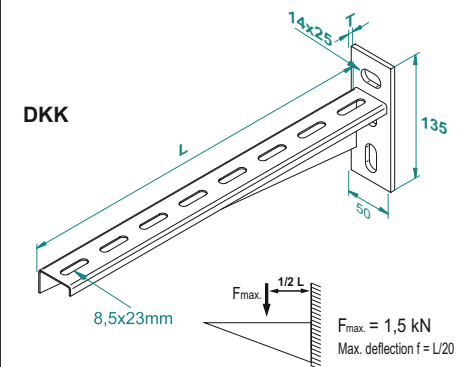
### DK



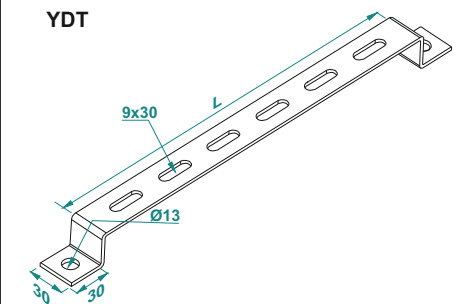
### L400 to 600 mm



### DKK



### YDT



### MATERIAL

PG- Sendzimir Method to TS-EN 10346:2011

EG- Electro-galvanised EN ISO 2081

HDG- Steel, hot dip galv. to TS-EN ISO 1461:2011 (HDG)

Available finishes:

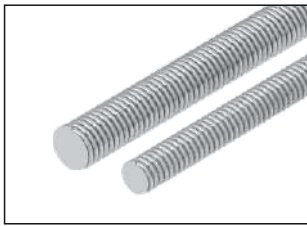
SS - Stainless steel AISI 304L and aisi 316L (SS)

EP- powder coating in a full range of colours (RAL)



## DIN 975 Threaded Rod

DIN 975 Askı Tiji - Шпилька резьбовая



Electro-Galvanised

TM	EG			
CODE	Size Metric	Length L mm	kg 1 pc	pcs
TM6 50	M6	500	0,080	10
TM6 100	M6	1000	0,150	10
TM6 200	M6	2000	0,300	10
TM6 300	M6	3000	0,450	10
TM8 50	M8	500	0,150	10
TM8 100	M8	1000	0,300	10
TM8 200	M8	2000	0,600	10
TM8 300	M8	3000	0,900	10

Electro-Galvanised

TM	EG			
CODE	Size Metric	Length L mm	kg 1 pc	pcs
TM10 50	M10	500	0,25	10
TM10 100	M10	1000	0,50	10
TM10 200	M10	2000	1,00	10
TM10 300	M10	3000	1,50	10
TM12 50	M12	500	0,35	10
TM12 100	M12	1000	0,70	10
TM12 200	M12	2000	1,40	10
TM12 300	M12	3000	2,10	10

## DIN 9300 Threaded Rod Couplers and Head Plate

DIN 9300 Tij Uzatma Somunu - Соединительная гайка резьбовой шпильки



Electro-Galvanised

TUS	EG			
CODE	Size Metric	Length L mm	kg 1 pc	pcs
TUS M6	M6	40	0,020	50
TUS M8	M8	40	0,030	50
TUS M10	M10	40	0,050	50
TUS M12	M12	40	0,060	50

## Head Plate U Shape

Tavan Tespit "U" Tipi

Потолочный держатель шпильки (U-образный)



Pre-Galvanised

TT 01	PG			
CODE	Thickness T mm	Safe Working Load kN	kg 1 pc	pcs
TT 01 PG	2,5	1,2	0,10	50

## Head Plate Omega Type

Tavan Tespit "Omega" Tipi

Потолочный держатель шпильки (Ω-образный)



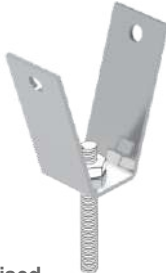
Pre-Galvanised

TT 02	PG			
CODE	Thickness T mm	Safe Working Load kN	kg 1 pc	pcs
TT 02 PG	2,5	1,5	0,12	50

## Head Plate V Shape

Tavan Tespit "V" Tipi

Потолочный держатель шпильки (V-образный)



Pre-Galvanised

TT 03	PG			
CODE	Thickness T mm	Safe Working Load kN	kg 1 pc	pcs
TT 03 PG	2,5	1,2	0,16	50

## Head Plate V Shape (Adjustable)

Tavan Tespit "V" Tipi (Ayarlanabilir)

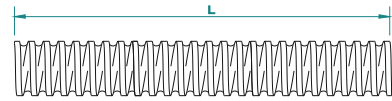
Потолочный держатель шпильки (V-образный)



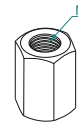
Pre-Galvanised

TT 04	PG			
CODE	Thickness T mm	Safe Working Load kN	kg 1 pc	pcs
TT 04 PG	2,5	1,2	0,14	50

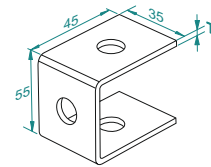
TM



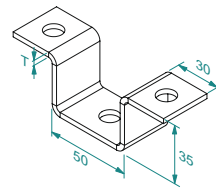
TUS



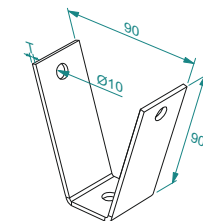
TT 01



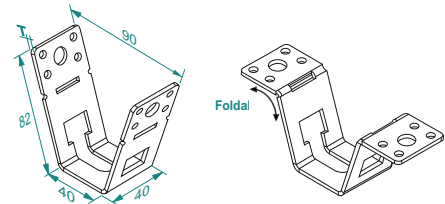
TT 02



TT 03



TT 04



MATERIAL & FINISH

PG- Sendzimir method to TS-EN 10346:2011

EG- Electro-Galvanised EN ISO 2081

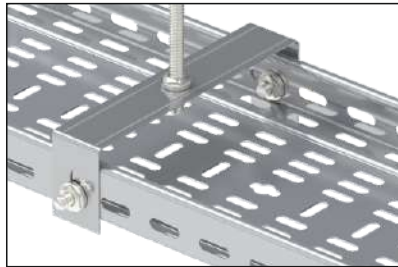
Available Finishes:

SS-Stainless steel AISI 304L and AISI 316L (SS)

HDG-Steel, hot-dip galv. to TS-EN ISO 1461:2011 (HDG)

## Single Rod Tray Carriers

Тек Tiji Kanal Taşıyıcı - Потолочный подвес лотков



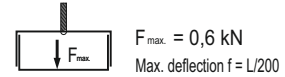
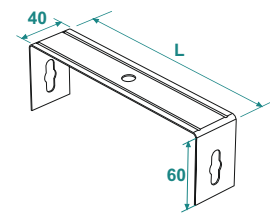
### Pre-Galvanised

TK1		PG		
CODE	Width of Tray	Length L mm	KG 1 pc	pcs
TK1 50 PG	50	55	0,09	50
TK1 100 PG	100	105	0,11	50
TK1 150 PG	150	155	0,15	50
TK1 200 PG	200	205	0,22	25
TK1 300 PG	300	305	0,42	20

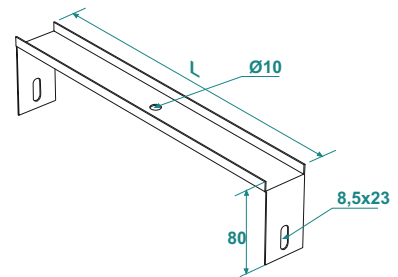
### Hot Dip Galvanized

TK1		HDG		
CODE	Width of Tray	Length L mm	KG 1 pc	pcs
TK1 50 HDG	50	55	0,09	50
TK1 100 HDG	100	105	0,12	50
TK1 150 HDG	150	155	0,16	50
TK1 200 HDG	200	205	0,23	25
TK1 300 HDG	300	305	0,44	20

### TK1 50-200

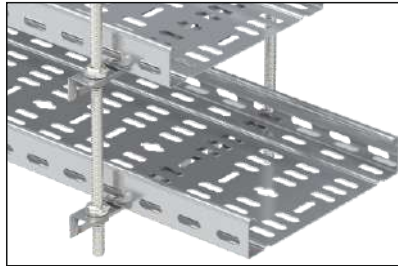
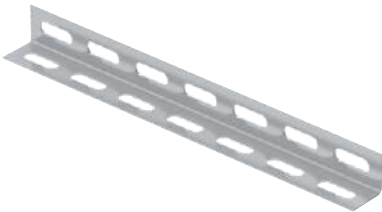


### TK1 300



## Double Rod Tray Carriers (L Type)

Çift Tiji Kanal Taşıyıcı - П-образный профиль подвеса



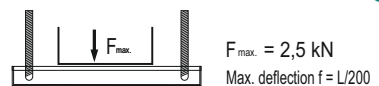
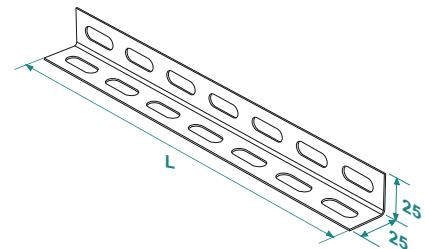
### Pre-Galvanised

TK2		PG		
CODE	Width of Tray	Length L mm	KG 1 pc	pcs
TK2 100 PG	100	160	0,20	50
TK2 150 PG	150	210	0,26	50
TK2 200 PG	200	260	0,31	50
TK2 300 PG	300	360	0,43	25
TK2 400 PG	400	460	0,55	25
TK2 500 PG	500	560	0,67	20
TK2 600 PG	600	660	0,79	20

### Hot Dip Galvanized

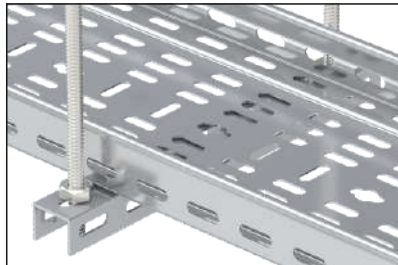
TK2		HDG		
CODE	Width of Tray	Length L mm	KG 1 pc	pcs
TK2 100 HDG	100	160	0,21	50
TK2 150 HDG	150	210	0,27	50
TK2 200 HDG	200	260	0,33	50
TK2 300 HDG	300	360	0,45	25
TK2 400 HDG	400	460	0,58	25
TK2 500 HDG	500	560	0,70	20
TK2 600 HDG	600	660	0,83	20

### TK2



## Double Rod Tray Carriers (U Type)

Çift Tiji Kanal Taşıyıcı (U Tipi) - П-образный профиль подвеса



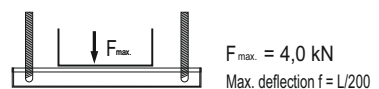
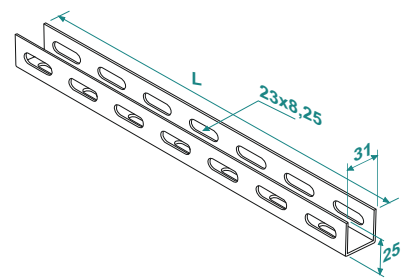
### Pre-Galvanised

TK3		PG		
CODE	Width of Tray	Length L mm	KG 1 pc	pcs
TK3 100 PG	100	160	0,27	50
TK3 150 PG	150	210	0,33	50
TK3 200 PG	200	260	0,39	50
TK3 300 PG	300	360	0,54	25
TK3 400 PG	400	460	0,69	25
TK3 500 PG	500	560	0,84	20
TK3 600 PG	600	660	0,98	20

### Hot Dip Galvanized

TK3		HDG		
CODE	Width of Tray	Length L mm	KG 1 pc	pcs
TK3 100 HDG	100	160	0,28	50
TK3 150 HDG	150	210	0,35	50
TK3 200 HDG	200	260	0,41	50
TK3 300 HDG	300	360	0,57	25
TK3 400 HDG	400	460	0,72	25
TK3 500 HDG	500	560	0,88	20
TK3 600 HDG	600	660	1,03	20

### TK3



#### MATERIAL & FINISH

PG- Sendzimir method to TS-EN 10346:2012

EG- Electro-Galvanised EN ISO 2081

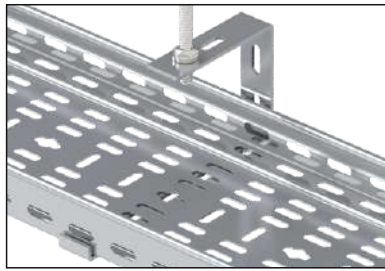
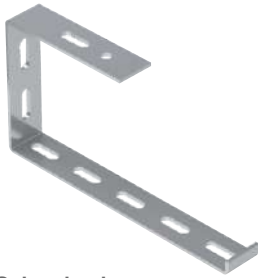
#### Available Finishes:

SS-Stainless steel AISI 304L and AISI 316L (SS)

HDG-Steel, hot-dip galv. to TS-EN ISO 1461:2011 (HDG)

## Single Rod Tray Carriers (C Type)

C Tipi Kanal Taşıyıcı - Настенно-потолочная консоль



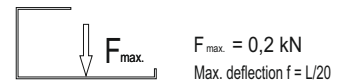
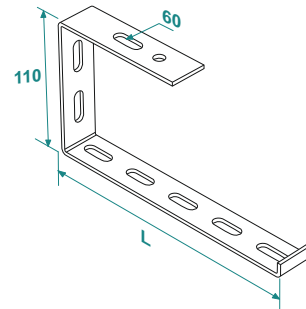
Pre-Galvanized

TK5	PG			
CODE	Width of Tray	Length L mm	kg 1 pc	pcs
TK5 50 PG	50	60	0,19	50
TK5 100 PG	100	110	0,26	50
TK5 150 PG	150	160	0,38	50
TK5 200 PG	200	210	0,44	25

Hot Dip Galvanized

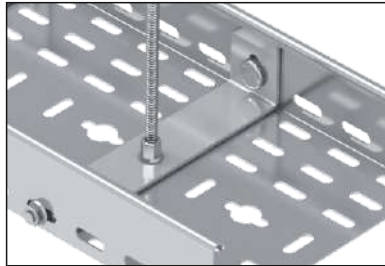
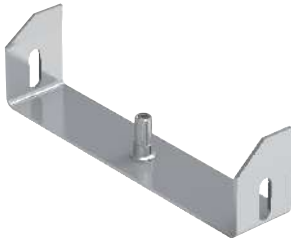
TK5	HDG			
CODE	Width of Tray	Length L mm	kg 1 pc	pcs
TK5 50 HDG	50	60	0,19	50
TK5 100 HDG	100	110	0,26	50
TK5 150 HDG	150	160	0,38	50
TK5 200 HDG	200	210	0,44	25

TK5



## Single Rod Tray Carriers M8

U Tipi Kanal İçten Taşıyıcı - Потолочный подвес лотков



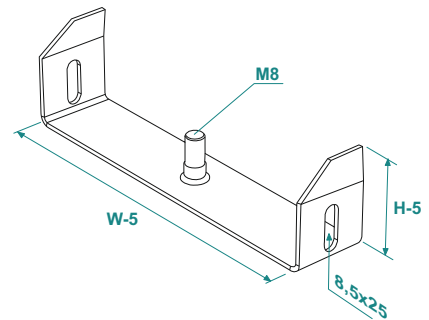
Pre-Galvanized

TK6	H:40		PG	
CODE	Width of Tray	Length L mm	kg 1 pc	pcs
TK6 405 M8 PG	50	45	0,10	50
TK6 410 M8 PG	100	95	0,14	50
TK6 415 M8 PG	150	145	0,18	50
TK6 420 M8 PG	200	195	0,26	25
TK6 425 M8 PG	250	245	0,31	25
TK6 430 M8 PG	300	295	0,36	20

Pre-Galvanized

TK6	H:60		PG	
CODE	Width of Tray	Length L mm	kg 1 pc	pcs
TK6 605 M8 PG	50	45	0,13	50
TK6 610 M8 PG	100	95	0,17	50
TK6 615 M8 PG	150	145	0,21	50
TK6 620 M8 PG	200	195	0,30	25
TK6 625 M8 PG	250	245	0,35	25
TK6 630 M8 PG	300	295	0,40	20

TK6



## Tray Carrier From The Sides

Yandan Kanal Taşıyıcı - Подвес с боку



Pre-Galvanized

UTG	PG			
CODE	Length L mm	kg 1 pc	kg	pcs
UTG 40 PG	40	0,075		50
UTG 50 PG	50	0,085		50
UTG 80 PG	80	0,113		50
UTG 100 PG	100	0,132		50

## Tray Carrier From The Base Z Type

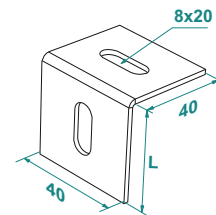
Z Tipi Destek Elemanı - Z-образная стойка



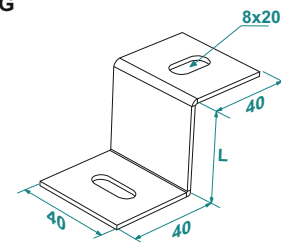
Pre-Galvanized

ZTG	PG			
CODE	Length L mm	kg 1 pc	kg	pcs
ZTG 40 PG	40	0,113		50
ZTG 50 PG	50	0,122		50
ZTG 80 PG	80	0,151		50
ZTG 100 PG	100	0,170		50

UTG



ZTG

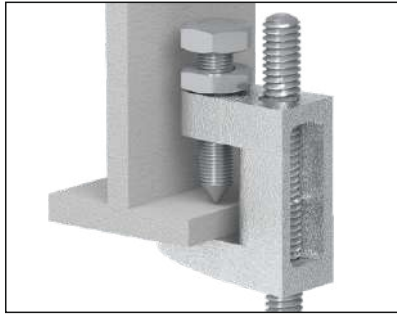


MATERIAL & FINISH  
PG- Sendzimir method to TS-EN 10346:2012  
EG- Electro-Galvanized EN ISO 2081

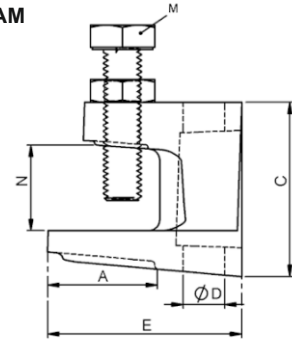
Available Finishes:  
SS-Stainless steel AISI 304L and AISI 316L (SS)

## Support Hanger Clamp (Casting)

Mengene, Döküm - Струбцина



PAM



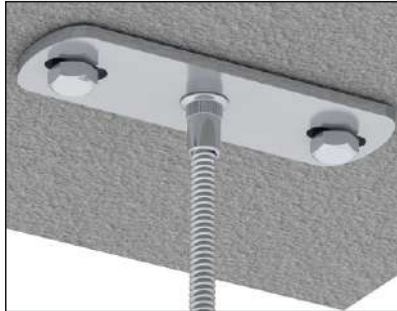
Die Cast (Döküm)

PAM									
CODE	Hole D mm	A mm	C mm	E mm	N mm	M mm	Safe Working Load kN	kg 1 pc	pcs
PAM-1	Ø9	20	36	38	18	M8x40	1,10	0,095	50
PAM-2	Ø11	32	46	50	22	M10x40	2,40	0,190	50
PAM-3	Ø13	35	72	58	40	M10x45	3,10	0,300	20

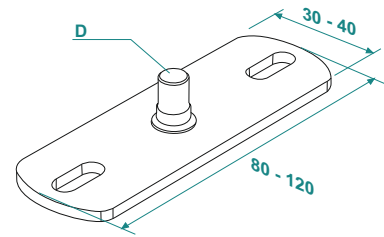
MATERIAL & FINISH  
Die Cast

## Head Plate With Nut

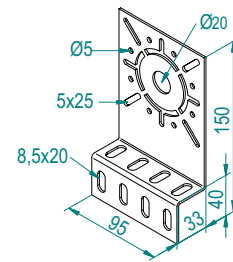
Somunlu Tavan Tespit - Потолочный держатель шпильки



SZP

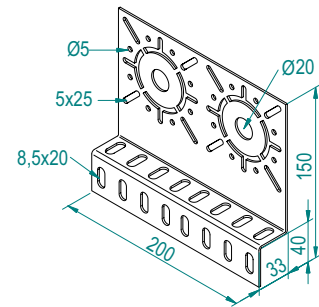
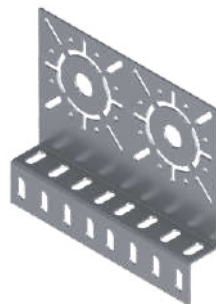


SZP EG				
CODE	Thread D Metric	Base Size mm	kg 1 pc	pcs
SZP-1 EG	M8	80x30	0,057	50
SZP-2 EG	M10	80x30	0,057	50
SZP-3 EG	M12	80x30	0,057	50
SZP-4 EG	M8	120x40	0,151	25
SZP-5 EG	M10	120x40	0,151	25
SZP-6 EG	M12	120x40	0,151	20



## Socket and Box Fixing on The Cable Tray

Priz Dağıtım Kutusu - Монтажная пластина коробки

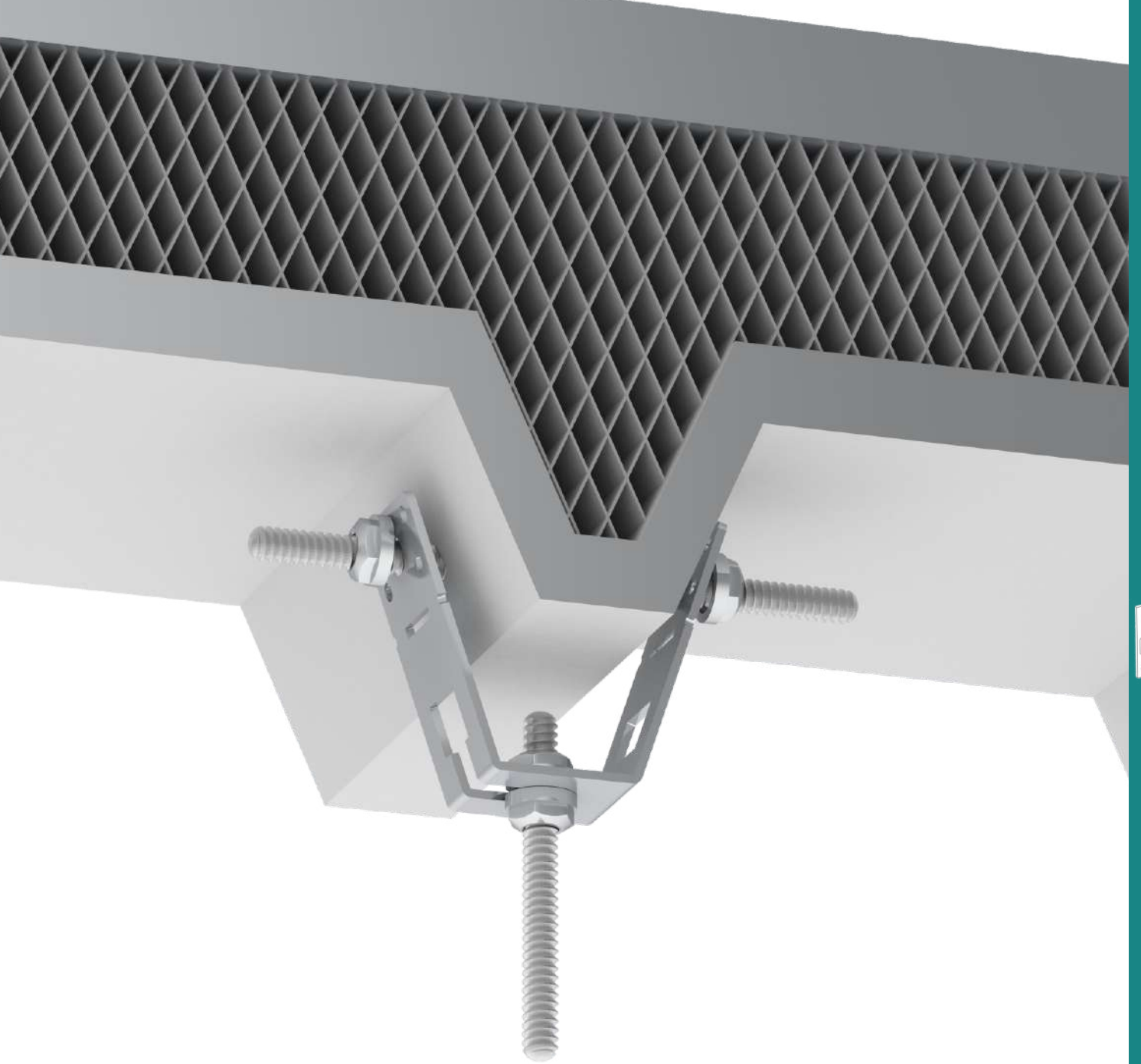


MATERIAL & FINISH  
PG- Sendzimir method to TS-EN 10346:2012  
HDG-Steel, hot-dip. galv. to TS-EN ISO 1461:2011 (HDG)

Available Finishes:  
SS-Stainless steel AISI 304L and AISI 316L (SS)

Thickn. (ga) [mm]:

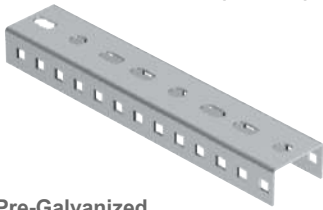
PKT		PG		PKTD		PG		
CODE	kg 1 pc	pcs	CODE	kg 1 pc	pcs	CODE	kg 1 pc	pcs
PKT 01 PG	0.25	10	PKTD 01 PG	0.52	10			



**metalico**

## U Profile 30x50 L:3000

U Profil 30x50 L:3000 - U-образный профиль



### Pre-Galvanized

U3050		PG		1.5mm	
CODE	Thickness T mm	Length L mm	KG 1 pc	pcs	
U 3050 15 PG	1,5	3000	1,27	2	

U3050		PG		2.0mm	
CODE	Thickness T mm	Length L mm	KG 1 pc	pcs	
U 3050 20 15 PG	1,5	2000	2,54	10	
U 3050 15 15 PG	1,5	1500	1,91	10	
U 3050 12 15 PG	1,5	1200	1,52	10	
U 3050 10 15 PG	1,5	1000	1,27	10	
U 3050 08 15 PG	1,5	800	1,02	10	
U 3050 06 15 PG	1,5	600	0,76	10	
U 3050 05 15 PG	1,5	500	0,64	10	
U 3050 04 15 PG	1,5	400	0,51	10	
U 3050 03 15 PG	1,5	300	0,38	10	
U 3050 02 15 PG	1,5	200	0,25	10	

U3050		PG		2.0mm	
CODE	Thickness T mm	Length L mm	KG 1 pc	pcs	
U 3050 20 PG	2,0	3000	1,70	2	

U3050		PG		2.0mm	
CODE	Thickness T mm	Length L mm	KG 1 pc	pcs	
U 3050 20 20 PG	2,0	2000	3,40	10	
U 3050 15 20 PG	2,0	1500	2,55	10	
U 3050 12 20 PG	2,0	1200	2,04	10	
U 3050 10 20 PG	2,0	1000	1,70	10	
U 3050 08 20 PG	2,0	800	1,36	10	
U 3050 06 20 PG	2,0	600	1,02	10	
U 3050 05 20 PG	2,0	500	0,85	10	
U 3050 04 20 PG	2,0	400	0,68	10	
U 3050 03 20 PG	2,0	300	0,51	10	
U 3050 02 20 PG	2,0	200	0,34	10	

### Hot Dip. Galvanized

U3050		HDG		1.5mm	
CODE	Thickness T mm	Length L mm	KG 1 pc	pcs	
U 3050 15 HDG	1,5	3000	1,33	2	

U3050		HDG		2.0mm	
CODE	Thickness T mm	Length L mm	KG 1 pc	pcs	
U 3050 20 15 HDG	1,5	2000	2,67	10	
U 3050 15 15 HDG	1,5	1500	2,00	10	
U 3050 12 15 HDG	1,5	1200	1,60	10	
U 3050 10 15 HDG	1,5	1000	1,33	10	
U 3050 08 15 HDG	1,5	800	1,07	10	
U 3050 06 15 HDG	1,5	600	0,80	10	
U 3050 05 15 HDG	1,5	500	0,67	10	
U 3050 04 15 HDG	1,5	400	0,53	10	
U 3050 03 15 HDG	1,5	300	0,40	10	
U 3050 02 15 HDG	1,5	200	0,27	10	

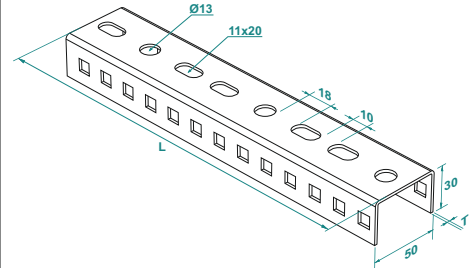
  

U3050		HDG		2.0mm	
CODE	Thickness T mm	Length L mm	KG 1 pc	pcs	
U 3050 20 HDG	2,0	3000	1,79	2	

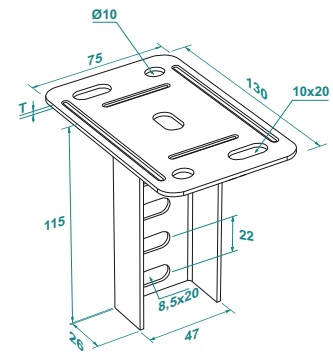
  

U3050		HDG		2.0mm	
CODE	Thickness T mm	Length L mm	KG 1 pc	pcs	
U 3050 20 20 HDG	2,0	2000	3,57	10	
U 3050 15 20 HDG	2,0	1500	2,68	10	
U 3050 12 20 HDG	2,0	1200	2,14	10	
U 3050 10 20 HDG	2,0	1000	1,79	10	
U 3050 08 20 HDG	2,0	800	1,43	10	
U 3050 06 20 HDG	2,0	600	1,07	10	
U 3050 05 20 HDG	2,0	500	0,89	10	
U 3050 04 20 HDG	2,0	400	0,71	10	
U 3050 03 20 HDG	2,0	300	0,54	10	
U 3050 02 20 HDG	2,0	200	0,36	10	

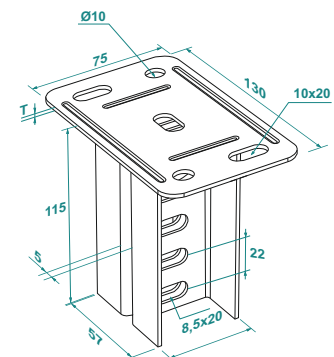
### U3050



### UT1 10



### UTD



## U Profile Support Ceiling

U Profil Tavan Tespit - П-образная потолочная станина



### Electro - Galvanized

UT1		EG		1.5mm	
CODE	Base Plate Size mm	Thickness T mm	KG 1 pc	pcs	
UT1 10 EG	130x75	2,0	0,28	50	

### Hot Dip. Galvanized

UT1		HDG		1.5mm	
CODE	Base Plate Size mm	Thickness T mm	KG 1 pc	pcs	
UT1 10 HDG	130x75	2,0	0,30	50	

## U Profile Support Ceiling (Double)

U Profil Tavan Tespit (Çift) - Потолочная станина, сдвоенная



### Electro Galvanized

UTD		EG		2.0mm	
CODE	Base Plate Size mm	Length L mm	KG 1 pc	pcs	
UTD 10 EG	130x75	2,0	0,43	50	

### Hot Dip. Galvanized

UTD		HDG		2.0mm	
CODE	Base Plate Size mm	Length L mm	KG 1 pc	pcs	
UTD 10 HDG	130x75	2,0	0,45	50	

### MATERIAL & FINISH

PG: Sendzimir method to TS-EN 10343-2011

EG: Electro-galvanized EN ISO 2081

HDG: Steel, hot-dip galv. to TSE-EN ISO 1461:2011 (HDG)

Available finishes:

SS - Stainless steel AISI 304L and aisi 316L (SS)

EP- powder coating in a full range of colours (RAL)

Thickn. (ga) [mm]:

## U Profile Support Ceiling

U Profil Tavan Tespit - Потолочная станина (сварная)



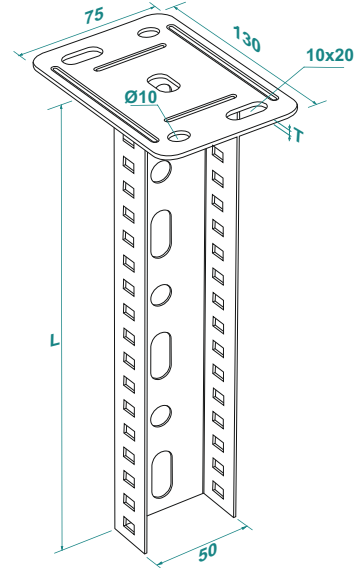
### Electro-Galvanised

UT1		EG			
CODE	Thickness T mm	Length L mm	kg 1 pc	pcs	
UT1 15 EG	2,0	150	0,41	10	
UT1 20 EG	2,0	200	0,50	10	
UT1 25 EG	2,0	250	0,59	10	
UT1 30 EG	2,0	300	0,67	10	
UT1 35 EG	2,0	350	0,76	10	
UT1 40 EG	2,0	400	0,85	10	
UT1 50 EG	2,0	500	1,02	10	
UT1 60 EG	2,0	600	1,19	10	
UT1 70 EG	2,0	700	1,36	10	
UT1 75 EG	2,0	750	1,45	10	
UT1 80 EG	2,0	800	1,54	10	
UT1 100 EG	2,0	1000	1,88	10	
UT1 110 EG	2,0	1100	2,06	10	
UT1 120 EG	2,0	1200	2,23	10	
UT1 125 EG	2,0	1250	2,32	10	
UT1 130 EG	2,0	1300	2,40	10	
UT1 140 EG	2,0	1400	2,58	10	
UT1 150 EG	2,0	1500	2,75	10	
UT1 160 EG	2,0	1600	2,92	10	
UT1 170 EG	2,0	1700	3,09	10	
UT1 175 EG	2,0	1750	3,18	10	
UT1 180 EG	2,0	1800	3,27	10	
UT1 200 EG	2,0	2000	3,61	10	

### Hot Dip. Galvanised

UT1		HDG			
CODE	Thickness T mm	Length L mm	kg 1 pc	pcs	
UT1 15 HDG	2,0	150	0,43	10	
UT1 20 HDG	2,0	200	0,52	10	
UT1 25 HDG	2,0	250	0,61	10	
UT1 30 HDG	2,0	300	0,71	10	
UT1 35 HDG	2,0	350	0,80	10	
UT1 40 HDG	2,0	400	0,89	10	
UT1 50 HDG	2,0	500	1,07	10	
UT1 60 HDG	2,0	600	1,25	10	
UT1 70 HDG	2,0	700	1,43	10	
UT1 75 HDG	2,0	750	1,52	10	
UT1 80 HDG	2,0	800	1,61	10	
UT1 100 HDG	2,0	1000	1,98	10	
UT1 110 HDG	2,0	1100	2,16	10	
UT1 120 HDG	2,0	1200	2,34	10	
UT1 125 HDG	2,0	1250	2,43	10	
UT1 130 HDG	2,0	1300	2,52	10	
UT1 140 HDG	2,0	1400	2,70	10	
UT1 150 HDG	2,0	1500	2,89	10	
UT1 160 HDG	2,0	1600	3,07	10	
UT1 170 HDG	2,0	1700	3,25	10	
UT1 175 HDG	2,0	1750	3,34	10	
UT1 180 HDG	2,0	1800	3,43	10	
UT1 200 HDG	2,0	2000	3,79	10	

UT1



## U Profile Ceiling Supports

U Profil Tavan Tespit - П-образная потолочная станина



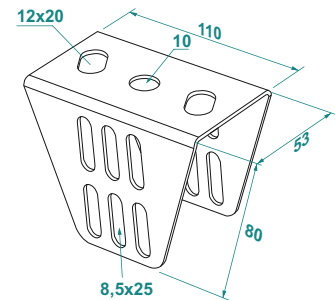
### Pre - Galvanised

UT2 01		PG			
CODE	Size mm	Thickness T mm	kg 1 pc	pcs	
UT2 01 PG	110x80	2,0	0,34	50	

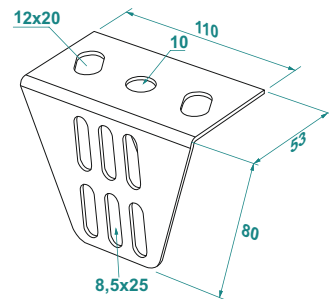
### Hot Dip. Galvanised

UT2		HDG			
CODE	Size mm	Thickness T mm	kg 1 pc	pcs	
UT2 01 HDG	110x80	2,0	0,36	50	

UT2 01



UT2 02



## U Profile Ceiling Supports "L Type"

U Profil Tavan Tespit "L" Tipi - Угловая потолочная станина



### Pre-Galvanized

UT2 02		PG			
CODE	Size mm	Thickness T mm	kg 1 pc	pcs	
UT2 02 PG	110x80	2,0	0,17	50	

### Hot Dip. Galvanized

UT2 02		HDG			
CODE	Size mm	Length L mm	kg 1 pc	pcs	
UT2 02 HDG	110x80	2,0	0,18	50	

### MATERIAL & FINISH

PG: Sendzimir method to TS-EN 10343-2011  
 EG: Electro-galvanized EN ISO 2081  
 HDG: Steel, hot-dip galv. to TSE-EN ISO 1461:2011 (HDG)

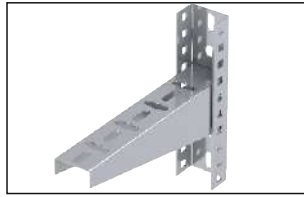
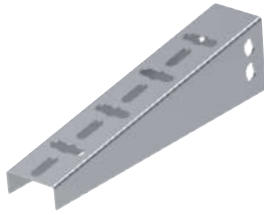
### Available finishes:

SS - Stainless steel AISI 304L and aisi 316L (SS)  
 EP- powder coating in a full range of colours (RAL)

Thickn. (ga) [mm]:

## U Profile Brackets

U Profil Sivama Konsolu - Настенная консоль для монтажа в профиль



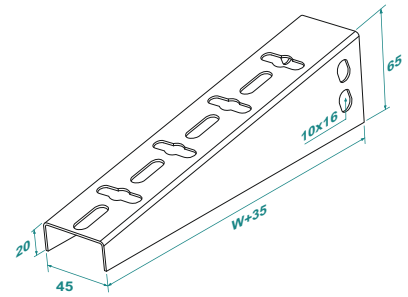
### Pre-Galvanised

UK	PG			
CODE	Width of Tray	Length L mm	kg 1 pc	pcs
UK 05 PG	50	80	0,09	10
UK 10 PG	100	130	0,15	10
UK 15 PG	150	180	0,21	10
UK 20 PG	200	230	0,27	10
UK 25 PG	250	280	0,33	10
UK 30 PG	300	330	0,49	10
UK 40 PG	400	430	0,63	10
UK 50 PG	500	530	0,78	10
UK 60 PG	600	630	0,93	10

### Hot Dip. Galvanised

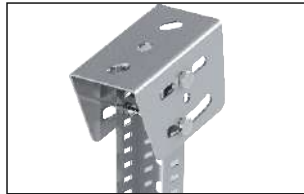
UK	HDG			
CODE	Width of Tray	Length L mm	kg 1 pc	pcs
UK 05 HDG	50	80	0,09	50
UK 10 HDG	100	130	0,16	50
UK 15 HDG	150	180	0,22	50
UK 20 HDG	200	230	0,28	50
UK 25 HDG	250	280	0,35	20
UK 30 HDG	300	330	0,51	20
UK 40 HDG	400	430	0,66	20
UK 50 HDG	500	530	0,82	10
UK 60 HDG	600	630	0,98	10

UK



## U Profile Ceiling Supports Smiling Face

U Profil Tavan Tespit, Ayarlanabilir Tip - PG - П-образная потолочная станина, поворотная



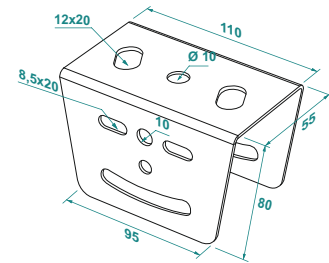
### Pre-Galvanised

UT2 03	PG			
CODE	Size mm	Thickness T mm	kg 1 pc	pcs
UT2 03 PG	110x80	2,0	0,34	50

### Hot Dip. Galvanised

UT2 03	HDG			
CODE	Size mm	Thickness T mm	kg 1 pc	pcs
UT2 03 HDG	110x80	2,0	0,36	50

UT2 03



## U Profile Ceiling Supports Smiling Face "L Type"

U Profil Tavan Tespit Ayarlanabilir "L" Tipi - Угловая потолочная станина, поворотная



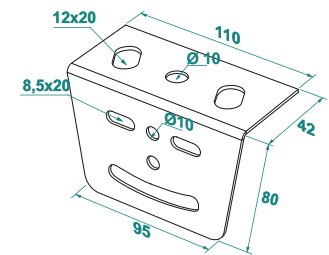
### Pre-Galvanised

UT2 04	PG			
CODE	Size mm	Thickness T mm	kg 1 pc	pcs
UT2 04 PG	110x80	2,0	0,17	50

### Hot Dip. Galvanised

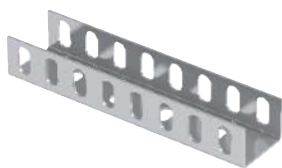
UT2 04	HDG			
CODE	Size mm	Thickness T mm	kg 1 pc	pcs
UT2 04 HDG	110x80	2,0	0,18	50

UT2 04



## U Profile Straight Connector

U Profil Birleştirme Elemanı - Соединитель профилей вертикальный



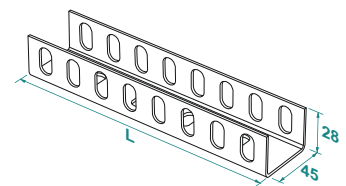
### Pre-Galvanised

UBE	PG			
CODE	Length mm	Thickness T mm	kg 1 pc	pcs
UBE PG	200	2,0	0,33	50

### Hot Dip. Galvanised

UBE	HDG			
CODE	Length mm	Thickness T mm	kg 1 pc	pcs
UBE HDG	200	2,0	0,35	50

UBE



### MATERIAL & FINISH

PG: Sendzimir method to TS-EN 10343-2011

HDG: Steel, hot-dip galv. to TSE-EN ISO 1461:2011 (HDG)

Available finishes:

SS - Stainless steel AISI 304L and aisi 316L (SS)

EP- powder coating in a full range of colours (RAL)

Thickn. (ga) [mm]:

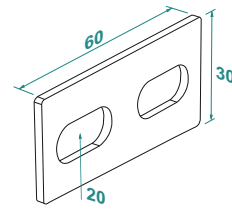


## Double U Profile Connection Element

U Profil Bağlantı Parçası - Соединитель профилей горизонтальный



UE



### MATERIAL & FINISH

PG: Sendzimir method to TS-EN 10343-2011  
 EG: Electro-galvanized EN ISO 2081  
 HDG: Steel, hot-dip galv. to TSE-EN ISO 1461:2011 (HDG)

Available finishes:

SS - Stainless steel AISI 304L and aisi 316L (SS)  
 EP- powder coating in a full range of colours (RAL)

Thickn. (ga) [mm]:

### Pre-Galvanised

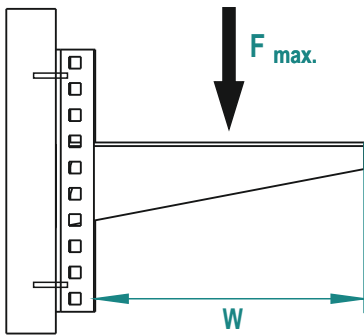
UE	PG			
CODE	Size mm	Thickness T mm		
UE PG	60x30	2,0	0,038	50

### Hot Dip. Galvanised

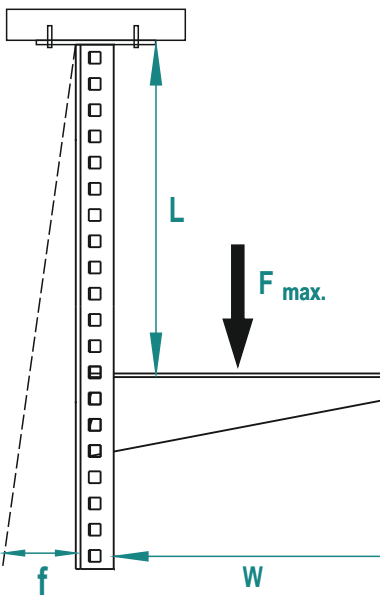
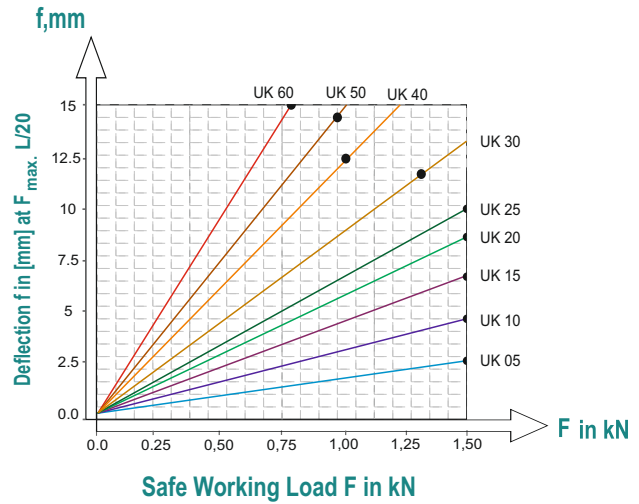
UE	HDG				
CODE	Size mm	Thickness T mm	kg 1 pc	pcs	
UE HDG	60x30	2,0	0,040	50	

## U Support Static Values - Safe Load

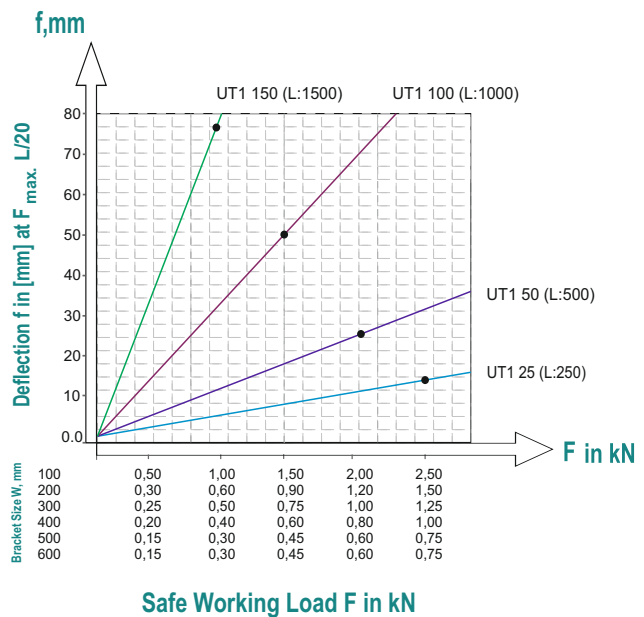
U Destek Taşıma Yük Değerleri - Нагрузочная способность профилей



W : Cable tray width

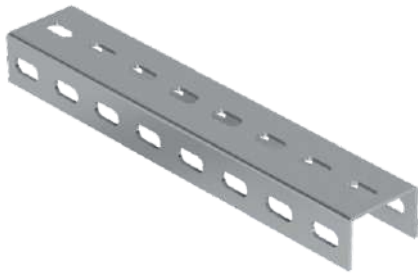


W : Cable tray width



## UP Profile 42x64

UP Profile 42x64 - U-образный профиль



### Hot Dip Galvanised

UP		HDG		3.0mm	
CODE	Thickness T mm	Length L mm	kg 1 mt	pcs	
UP 300 30 HDG	3.0	3000	2,97	2	

CODE	Thickness T mm	Length L mm	kg 1 pc	pcs	
UP 200 30 HDG	3.0	2000	5,94	2	
UP 190 30 HDG	3.0	1900	5,64	2	
UP 180 30 HDG	3.0	1800	5,35	2	
UP 170 30 HDG	3.0	1700	5,05	2	
UP 160 30 HDG	3.0	1600	4,75	2	
UP 150 30 HDG	3.0	1500	4,46	2	
UP 140 30 HDG	3.0	1400	4,16	2	
UP 130 30 HDG	3.0	1300	3,86	2	
UP 120 30 HDG	3.0	1200	3,56	2	
UP 110 30 HDG	3.0	1100	3,27	2	
UP 100 30 HDG	3.0	1000	2,97	2	
UP 90 30 HDG	3.0	900	2,67	2	
UP 80 30 HDG	3.0	800	2,38	2	
UP 70 30 HDG	3.0	700	2,08	2	
UP 60 30 HDG	3.0	600	1,78	2	
UP 50 30 HDG	3.0	500	1,49	2	
UP 40 30 HDG	3.0	400	1,19	2	
UP 30 30 HDG	3.0	300	0,89	2	
UP 25 30 HDG	3.0	250	0,74	2	

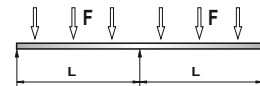
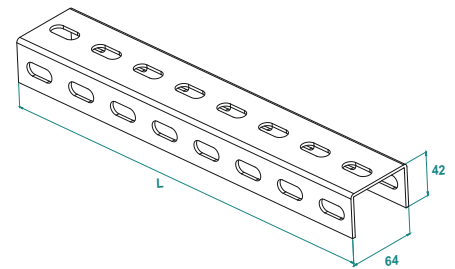
### Hot Dip Galvanised

UP		HDG		4.0mm	
CODE	Thickness T mm	Length L mm	kg 1 mt	pcs	
UP 300 40 HDG	4.0	3000	3,96	2	

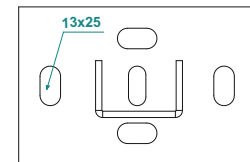
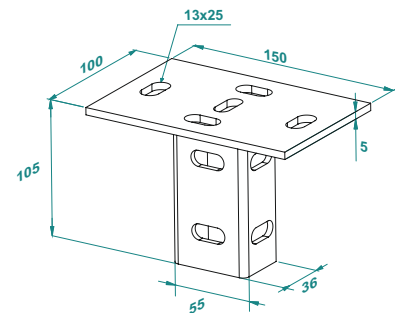
CODE	Thickness T mm	Length L mm	kg 1 pc	pcs	
UP 200 40 HDG	4.0	2000	7,92	2	
UP 190 40 HDG	4.0	1900	7,52	2	
UP 180 40 HDG	4.0	1800	7,13	2	
UP 170 40 HDG	4.0	1700	6,73	2	
UP 160 40 HDG	4.0	1600	6,34	2	
UP 150 40 HDG	4.0	1500	5,94	2	
UP 140 40 HDG	4.0	1400	5,54	2	
UP 130 40 HDG	4.0	1300	5,15	2	
UP 120 40 HDG	4.0	1200	4,75	2	
UP 110 40 HDG	4.0	1100	4,36	2	
UP 100 40 HDG	4.0	1000	3,96	2	
UP 90 40 HDG	4.0	900	3,56	2	
UP 80 40 HDG	4.0	800	3,17	2	
UP 70 40 HDG	4.0	700	2,77	2	
UP 60 40 HDG	4.0	600	2,38	2	
UP 50 40 HDG	4.0	500	1,98	2	
UP 40 40 HDG	4.0	400	1,58	2	
UP 30 40 HDG	4.0	250	1,19	2	
UP 25 40 HDG	4.0	250	0,99	2	

UP

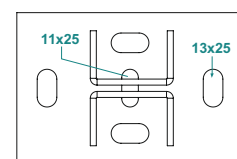
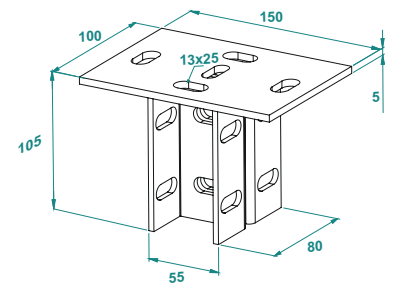


Length (mm)	Safe Load (kN) UP- 3 mm	Safe Load (kN) UP- 4 mm
500	7,0	8,0
1000	4,8	6,0
1500	3,2	4,0
2000	2,4	3,0
3000	1,6	2,0

UPT 10



UPD10



## UP Profile Support Ceiling

UP Profil Tavan Tespit - Потолочная станина (сварная)



### Hot Dip Galvanised

UPT 10		HDG		
CODE	Base Plate Size mm	Thickness T mm	kg 1 pc	pcs
UPT 10 HDG	150x150	4,0	0,96	10

## UP Profile Support Ceiling (Double)

UP Profil Tavan Tespit (Çift) - Потолочная станина, двойная



### Hot Dip Galvanised

UPD 10		HDG		
CODE	Base Plate Size mm	Thickness T mm	kg 1 pc	pcs
UPD 10 HDG	150x100	4,0	1,40	10

### MATERIAL & FINISH

HDG-Steel, hot-dip galv. to TS-EN ISO 1461:2011 (HDG)

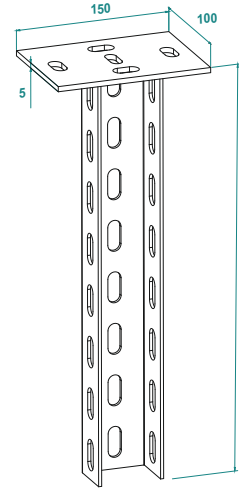
Thickn. (ga) [mm]: **3,0 4,0**

## UP Profile Support Ceiling

UP Profil Tavan Tespit - Потолочная станина (сварная)



UPT



Hot Dip Galvanised

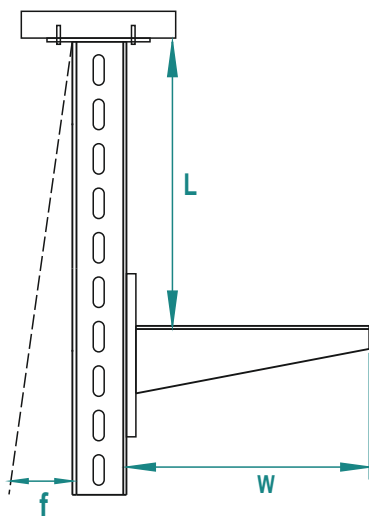
UPT	HDG	3.0mm		
CODE	Thickness T mm	Length L mm	Kg 1 pc	pcs
UPT 300 30 HDG	3.0	3000	9,44	2
UPT 200 30 HDG	3.0	2000	6,47	2
UPT 190 30 HDG	3.0	1900	6,17	2
UPT 180 30 HDG	3.0	1800	5,88	2
UPT 170 30 HDG	3.0	1700	5,58	2
UPT 160 30 HDG	3.0	1600	5,28	2
UPT 150 30 HDG	3.0	1500	4,99	2
UPT 140 30 HDG	3.0	1400	4,69	2
UPT 130 30 HDG	3.0	1300	4,39	2
UPT 120 30 HDG	3.0	1200	4,10	2
UPT 110 30 HDG	3.0	1100	3,80	2
UPT 100 30 HDG	3.0	1000	3,50	2
UPT 90 30 HDG	3.0	900	3,20	2
UPT 80 30 HDG	3.0	800	2,91	2
UPT 70 30 HDG	3.0	700	2,61	2
UPT 60 30 HDG	3.0	600	2,31	2
UPT 50 30 HDG	3.0	500	2,02	2
UPT 40 30 HDG	3.0	400	1,72	2
UPT 30 30 HDG	3.0	300	1,42	2
UPT 25 30 HDG	3.0	250	1,27	2

Hot Dip Galvanised

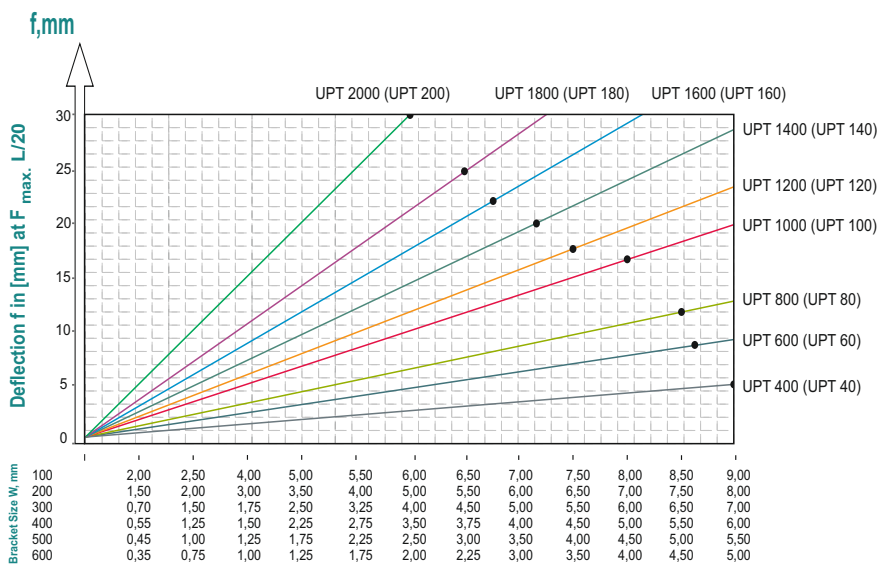
UPT	HDG	4.0mm		
CODE	Thickness T mm	Length L mm	Kg 1 pc	pcs
UPT 300 40 HDG	4.0	3000	12,41	2
UPT 200 40 HDG	4.0	2000	8,45	2
UPT 190 40 HDG	4.0	1900	8,06	2
UPT 180 40 HDG	4.0	1800	7,66	2
UPT 170 40 HDG	4.0	1700	7,26	2
UPT 160 40 HDG	4.0	1600	6,87	2
UPT 150 40 HDG	4.0	1500	6,47	2
UPT 140 40 HDG	4.0	1400	6,08	2
UPT 130 40 HDG	4.0	1300	5,68	2
UPT 120 40 HDG	4.0	1200	5,28	2
UPT 110 40 HDG	4.0	1100	4,89	2
UPT 100 40 HDG	4.0	1000	4,49	2
UPT 90 40 HDG	4.0	900	4,10	2
UPT 80 40 HDG	4.0	800	3,70	2
UPT 70 40 HDG	4.0	700	3,30	2
UPT 60 40 HDG	4.0	600	2,91	2
UPT 50 40 HDG	4.0	500	2,51	2
UPT 40 40 HDG	4.0	400	2,12	2
UPT 30 40 HDG	4.0	300	1,72	2
UPT 25 40 HDG	4.0	250	1,52	2

MATERIAL & FINISH  
HDG-Steel, hot-dip galv. to TS-EN ISO 1461:2011 (HDG)

Thickn. (ga) [mm]: 3.0 4.0

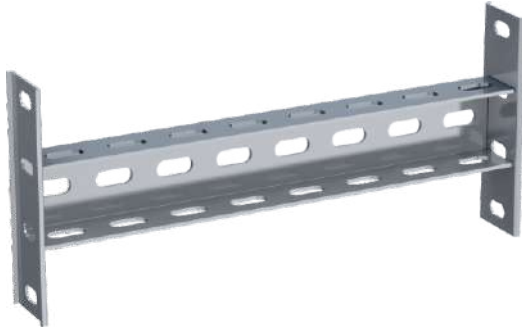


W : Cable tray width



## UP Profile Double Plate Bracket

UP Profile Çift Tabanlı Konsolu - Консоль для монтажа в профиль



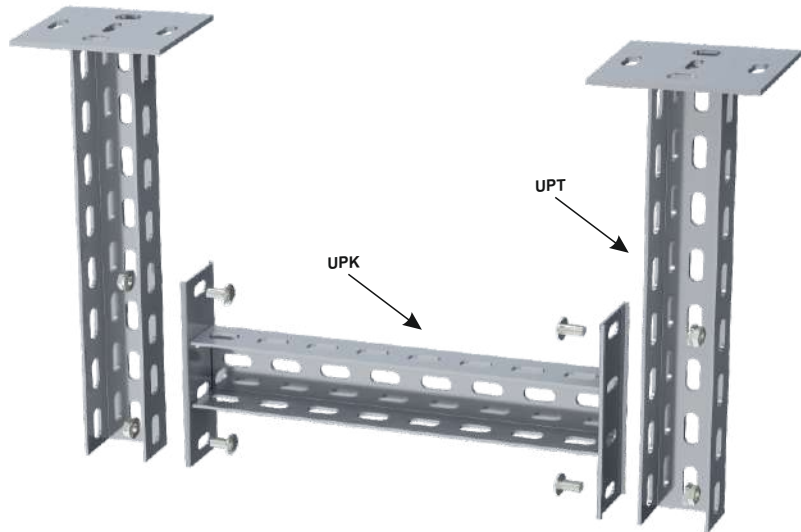
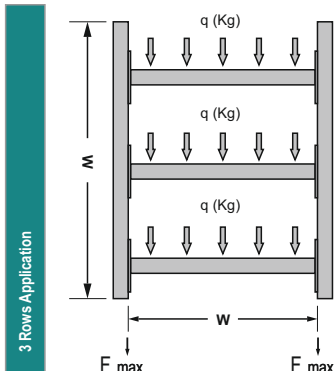
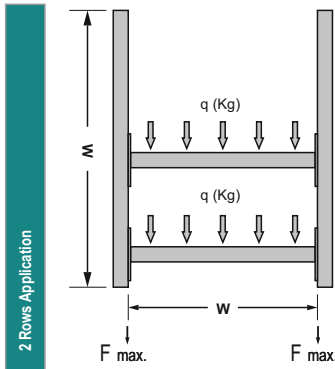
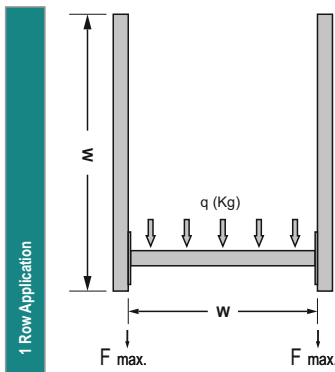
Hot Dip Galvanised

UPK	HDG	3.0mm		
CODE	Thickness T mm	Length L mm	kg 1 pc	pcs
UPK 30 HDG	3.0	300	1,36	1
UPK 40 HDG	3.0	400	1,66	1
UPK 50 HDG	3.0	500	1,95	1
UPK 60 HDG	3.0	600	2,25	1
UPK 70 HDG	3.0	700	2,55	1
UPK 75 HDG	3.0	750	2,70	1
UPK 80 HDG	3.0	800	2,84	1
UPK 90 HDG	3.0	900	3,14	1
UPK 100 HDG	3.0	1000	3,44	1

**UPK**

**MATERIAL & FINISH**  
HDG-Steel, hot-dip galv. to TS-EN ISO 1461:2011 (HDG)

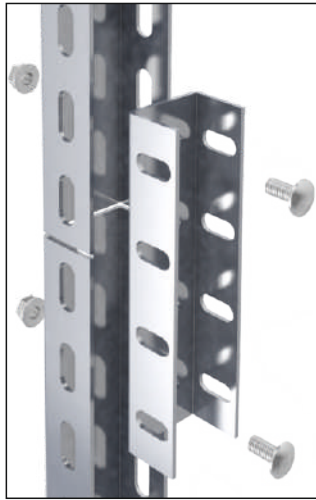
Thickn. (ga) [mm]: **3,0 4,0**



LOAD CAPACITY					
Vertical Hanger UPT		Horizontal Hanger UPK			
L (mm)	Fz. Max (Kg)	A 300-400-50mm	A 600-700-800mm	A 900-1000-1200mm	
<b>1 Row Application</b>	500	900	750	650	500
	1000		750	650	500
	1500		750	650	500
	2000		750	650	500
	2500		750	650	500
	3000		750	650	500
<b>2 Rows Application</b>	500	900	750	650	500
	1000		750	650	500
	1500		750	650	500
	2000		750	650	500
	2500		750	650	500
	3000		750	650	500
<b>3 Rows Application</b>	500	900	600	600	500
	1000		600	600	500
	1500		600	600	500
	2000		600	600	500
	2500		600	600	500
	3000		600	600	500

## UP Profile Straight Connector

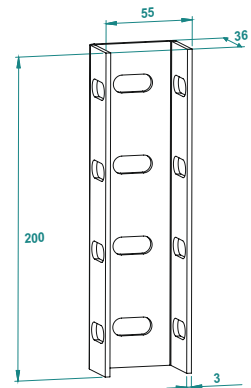
UP Profil Birleştirme Elemanı - Соединитель профилей вертикальный



Hot Dip Galvanised

UPBE		HDG		
CODE	Length Size mm	Thickness T mm	kg 1 set	pcs
UPBE HDG	200	4,0	0,60	50

UPBE



## UP Profile Spacer

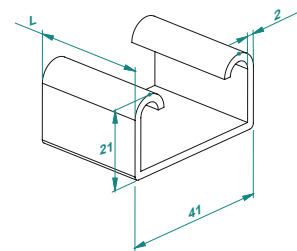
UP Profil Konsol Destek - Распорка консоли



Hot Dip Galvanised

UPE		HDG		
CODE	Thickness T mm	Length L mm	kg 1 pc	pcs
UPE HDG	2,0	54	0,10	100

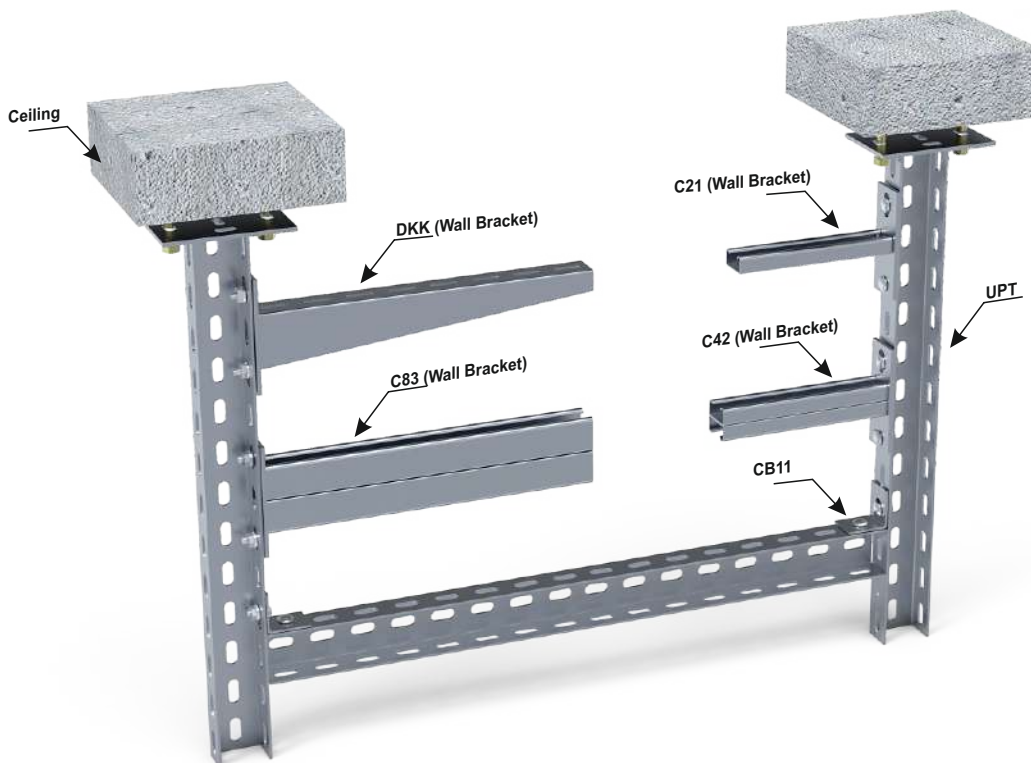
UPE



MATERIAL & FINISH

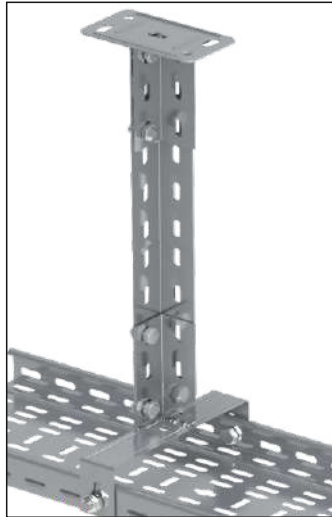
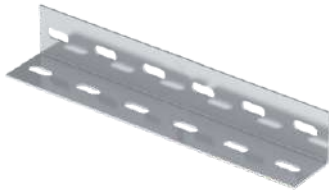
HDG-Steel, hot-dip galv. to TS-EN ISO 1461:2011 (HDG)

Thickn. (ga) [mm]: **3,0 4,0**

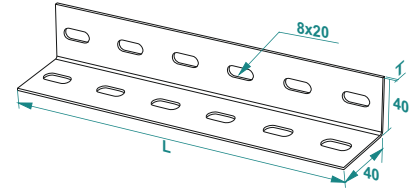


## L Profile 40x40

L Profil 40x40 - L-образные профили



L40



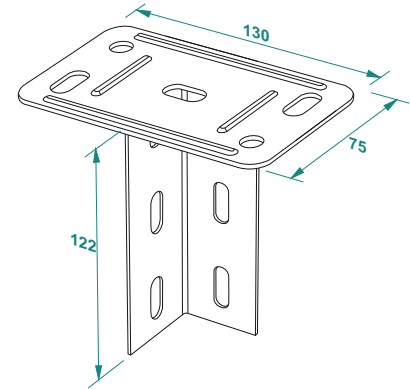
L40		PG		
CODE	Thickness T mm	Length L mm	kg 1 pc	pcs
L40 50 15 PG	1,5	500	0,471	10
L40 100 15 PG	1,5	1000	0,942	10
L40 150 15 PG	1,5	1500	1,413	10
L40 200 15 PG	1,5	2000	1,884	10

## L Profile Ceiling Support

L Profil Tavan Tespit - L-образная станина и подвес



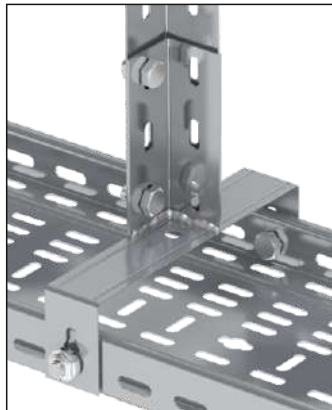
L40T



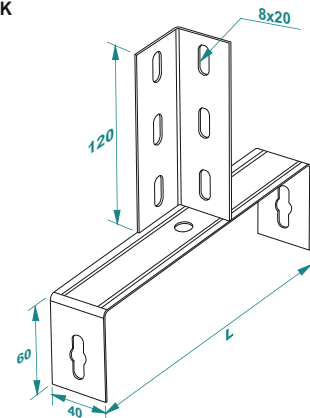
L40T		PG		
CODE	Thickness T mm	Length L mm	kg 1 pc	pcs
L40T 10 15 PG	1,5	120	0,263	10
L40T 30 15 PG	1,5	300	0,432	10
L40T 40 15 PG	1,5	400	0,526	10
L40T 40 15 PG	1,5	500	0,620	10
L40T 100 15 PG	1,5	1000	1,090	10

## L Profile Ceiling Support

L Profil Kanal Taşıyıcı - L-образная консоль



L40K



L40K		PG		
CODE	Width of Tray	Length L mm	kg 1 pc	pcs
L40K 05 15 PG	50	55	0,375	10
L40K 10 15 PG	100	105	0,448	10
L40K 15 15 PG	150	155	0,537	10
L40K 20 15 PG	200	205	0,595	10
L40K 30 15 PG	300	305	0,720	10

### MATERIAL

PG- Sendzimir method to TS-EN 10346:2100

### Available Finishes:

HDG- Steel, hot-dip galv. to TS-EN ISO 1461:2011 (HDG)

Thickn. (ga) [mm]:



## I Support

I Destek - I-образные профили 80x42



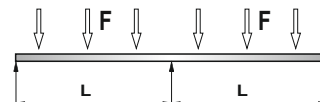
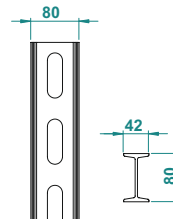
### Hot Dip Galvanised

I80		HDG	
CODE	Length L mm	kg 1 pc	pcs
I80 10 HDG	100	0,60	1
I80 20 HDG	200	1,19	1
I80 25 HDG	250	1,48	1
I80 30 HDG	300	1,79	1
I80 35 HDG	350	2,08	1
I80 40 HDG	400	2,38	1
I80 45 HDG	450	2,68	1
I80 50 HDG	500	2,98	1
I80 55 HDG	550	3,28	1
I80 60 HDG	600	3,57	1
I80 65 HDG	650	3,86	1
I80 70 HDG	700	4,17	1
I80 75 HDG	750	4,46	1
I80 80 HDG	800	4,76	1
I80 85 HDG	850	5,06	1
I80 90 HDG	900	5,36	1
I80 95 HDG	950	5,66	1
I80 100 HDG	1000	5,95	1
I80 110 HDG	1100	6,55	1
I80 120 HDG	1200	7,14	1
I80 125 HDG	1250	7,44	1
I80 130 HDG	1300	7,74	1
I80 140 HDG	1400	8,33	1
I80 150 HDG	1500	8,93	1

### Hot Dip. Galvanised

I80		HDG	
CODE	Length L mm	kg 1 pc	pcs
I80 160 HDG	1600	09,53	1
I80 170 HDG	1700	10,13	1
I80 175 HDG	1750	10,41	1
I80 180 HDG	1800	11,01	1
I80 190 HDG	1900	11,60	1
I80 200 HDG	2000	11,90	1
I80 210 HDG	2100	12,50	1
I80 220 HDG	2200	13,10	1
I80 225 HDG	2250	13,40	1
I80 230 HDG	2300	13,69	1
I80 240 HDG	2400	14,29	1
I80 250 HDG	2500	14,88	1
I80 260 HDG	2600	15,47	1
I80 270 HDG	2700	16,06	1
I80 280 HDG	2800	16,65	1
I80 290 HDG	2900	17,24	1
I80 300 HDG	3000	17,85	1
I80 350 HDG	3500	20,83	1
I80 400 HDG	4000	23,80	1
I80 450 HDG	4500	26,78	1
I80 500 HDG	5000	29,75	1
I80 550 HDG	5500	32,73	1
I80 600 HDG	6000	35,70	1

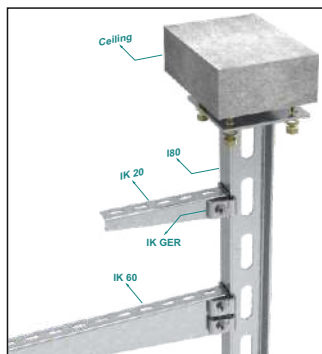
I 80



Length (mm)	Safe Load (kN)
500	12,0
1000	10,0
1500	7,0
2000	5,25
3000	3,5

## It Hanging Support

IT Tavan Destek 80x42 - Потолочные станины



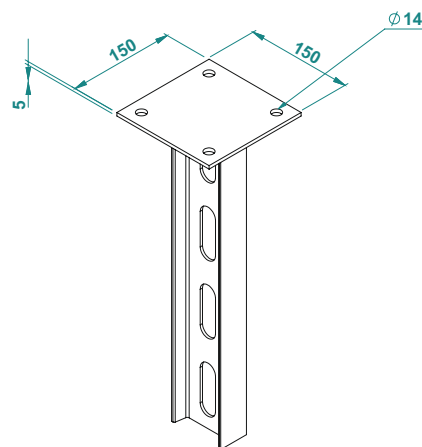
### Hot Dip Galvanised

IT 80		HDG	
CODE	Length L mm	kg 1 pc	pcs
IT 80 10 HDG	100	1,10	1
IT 80 20 HDG	200	1,69	1
IT 80 25 HDG	250	1,98	1
IT 80 30 HDG	300	2,29	1
IT 80 35 HDG	350	2,58	1
IT 80 40 HDG	400	2,88	1
IT 80 45 HDG	450	3,18	1
IT 80 50 HDG	500	3,48	1
IT 80 55 HDG	550	3,78	1
IT 80 60 HDG	600	4,07	1
IT 80 65 HDG	650	4,36	1
IT 80 70 HDG	700	4,67	1
IT 80 75 HDG	750	4,96	1
IT 80 80 HDG	800	5,26	1
IT 80 85 HDG	850	5,56	1
IT 80 90 HDG	900	5,86	1
IT 80 95 HDG	950	6,16	1
IT 80 100 HDG	1000	6,45	1
IT 80 110 HDG	1100	7,05	1
IT 80 120 HDG	1200	7,64	1
IT 80 125 HDG	1250	7,94	1
IT 80 130 HDG	1300	8,24	1
IT 80 140 HDG	1400	8,83	1
IT 80 150 HDG	1500	9,43	1

### Hot Dip. Galvanised

IT80		HDG	
CODE	Length L mm	kg 1 pc	pcs
IT 80 160 HDG	1600	10,13	1
IT 80 170 HDG	1700	10,63	1
IT 80 175 HDG	1750	10,91	1
IT 80 180 HDG	1800	11,51	1
IT 80 190 HDG	1900	12,10	1
IT 80 200 HDG	2000	12,40	1
IT 80 210 HDG	2100	13,00	1
IT 80 220 HDG	2200	13,60	1
IT 80 225 HDG	2250	13,90	1
IT 80 230 HDG	2300	14,19	1
IT 80 240 HDG	2400	14,79	1
IT 80 250 HDG	2500	15,38	1
IT 80 260 HDG	2600	15,97	1
IT 80 270 HDG	2700	16,56	1
IT 80 280 HDG	2800	17,15	1
IT 80 290 HDG	2900	17,74	1
IT 80 300 HDG	3000	18,35	1
IT 80 350 HDG	3500	21,33	1
IT 80 400 HDG	4000	24,30	1
IT 80 450 HDG	4500	27,28	1
IT 80 500 HDG	5000	30,25	1
IT 80 550 HDG	5500	33,23	1
IT 80 600 HDG	6000	36,20	1

IT 80



### MATERIAL

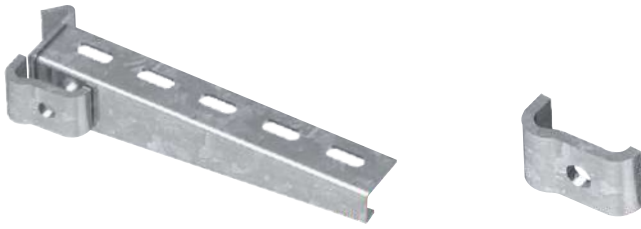
HDG- Steel, hot dip galv. to TS-EN ISO 1461:2011 (HDG)

Thickn. (ga) [mm]: 3,9



## I Support Bracket

*I Destek Konsolu - Консоль для монтажа в профиль*



Hot Dip Galvanised

IK	HDG			
CODE	Width of Tray	Length L mm	kg 1 pc	pcs
IK 10 HDG	100	110	0,32	20
IK 15 HDG	150	160	0,38	20
IK 20 HDG	200	210	0,45	20
IK 25 HDG	250	260	0,72	20
IK 30 HDG	300	310	0,82	10
IK 40 HDG	400	410	1,13	10
IK 45 HDG	450	460	1,26	10
IK 50 HDG	500	510	1,36	5
IK 60 HDG	600	610	1,56	5
IK 70 HDG	700	710	2,05	5
IK 75 HDG	750	760	2,17	5
IK 80 HDG	800	810	2,29	5
IK 90 HDG	900	910	2,52	5
IK 100 HDG	1000	1010	2,76	5

\*Fixing clamp IK GER, BOLT M10x35 and nut M10 is included in bracket code

Hot Dip Galvanised

IK GER	HDG			
CODE	Hole D mm	Thickness T mm	kg 1 pc	pcs
IK GER HDG	11	5,0	0,10	1

Calculation Table - Hesap Tablosu

BRACKET	IK GER HDG	AC M10 35 HDG	S M10 HDG
IK 10 HDG	1	1	1
IK 15 HDG	1	1	1
IK 20 HDG	1	1	1
IK 25 HDG	1	1	1
IK 30 HDG	1	1	1
IK 40 HDG	2	2	2
IK 45 HDG	2	2	2
IK 50 HDG	2	2	2
IK 60 HDG	2	2	2
IK 70 HDG	2	2	2

\*Calculation table for packaging & custom purpose

## I support Head Plate (Stable)

*I Profil Tavan Tespit (Sabit) - Потолочная станина, Прямая*



Hot Dip Galvanised

ITS 01	HDG			
CODE	Size mm	Thickness T mm	kg 1 pc	pcs
ITS 01 HDG	200x80	5,0	1,50	50

## I support Head Plate (Variable Lengthwise)

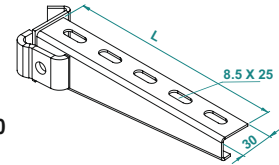
*I Profil Tavan Tespit (Haraketli, Voçupn) - Потолочная станина, Поворотная в продоль*



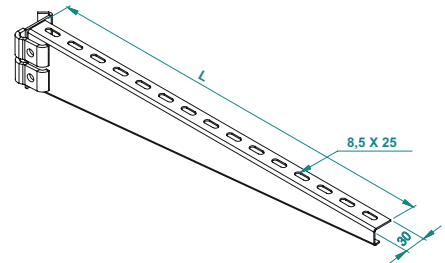
Hot Dip Galvanised

ITH 01	HDG			
CODE	Size mm	Thickness T mm	kg 1 pc	pcs
ITH 01 HDG	200x80	5,0	1,83	50

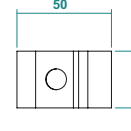
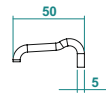
IK 10 - 30



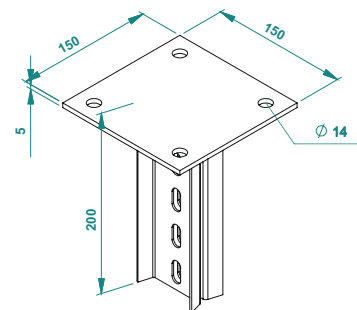
IK 40 - 100



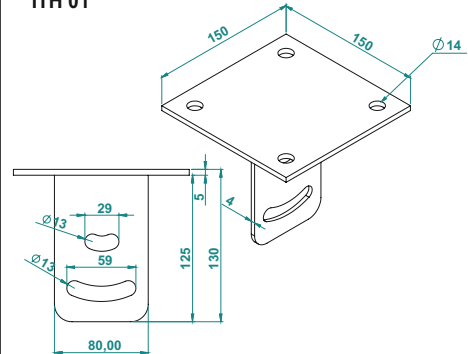
IK GER



ITS 01



ITH 01



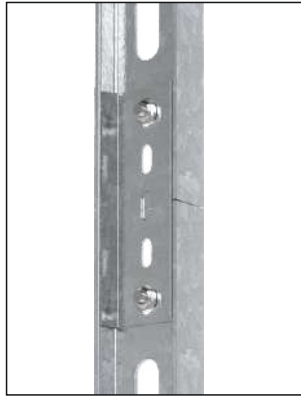
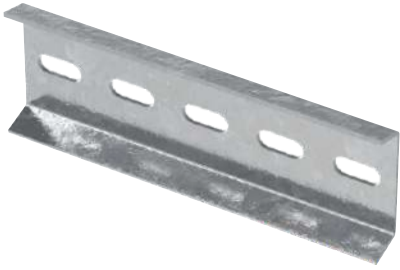
MATERIAL

HDG- Steel, hot dip galv. to TS-EN ISO 1461:2011 (HDG)

Thickn. (ga) [mm]: 3.9

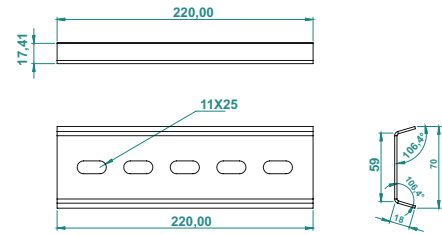
## I Support Connector

I Profil Birleştirme Elemanı - Соединитель I-образной профили, вертикальный



IBE		HDG		
CODE	Size mm	Thickness T mm	kg 1 pc	pcs
IBE HDG	215x65	5,0	0,55	1

### IBE



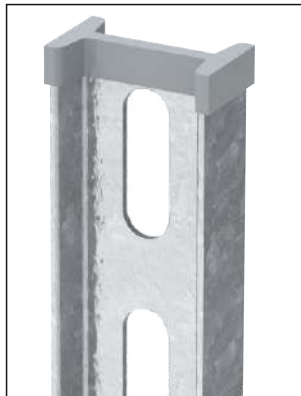
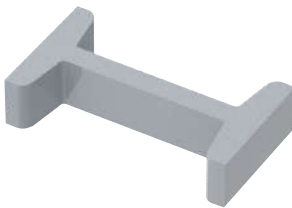
### MATERIAL

HDG- Steel, hot dip galv. to TS-EN ISO 1461:2011 (HDG)

Thickn. (ga) [mm]: 5,0

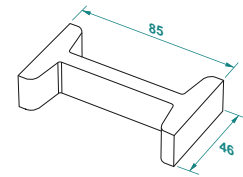
## End Cover of I Support 80x42-PVC

I Profil 80x42 Plastik Tapa - Защитная пластина



END I80		PVC		
CODE	Size mm	kg 1 pc	pcs	
END I80 PVC	80x42	0,05	50	

### END I80

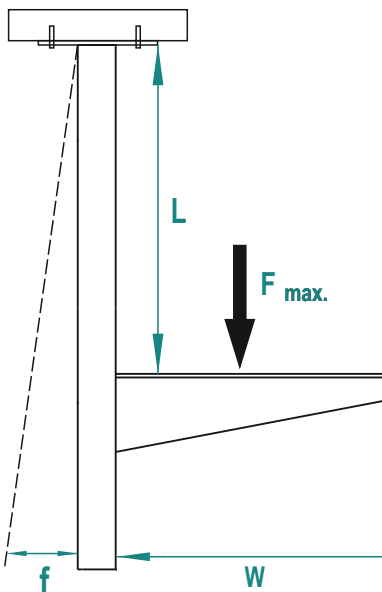


### MATERIAL

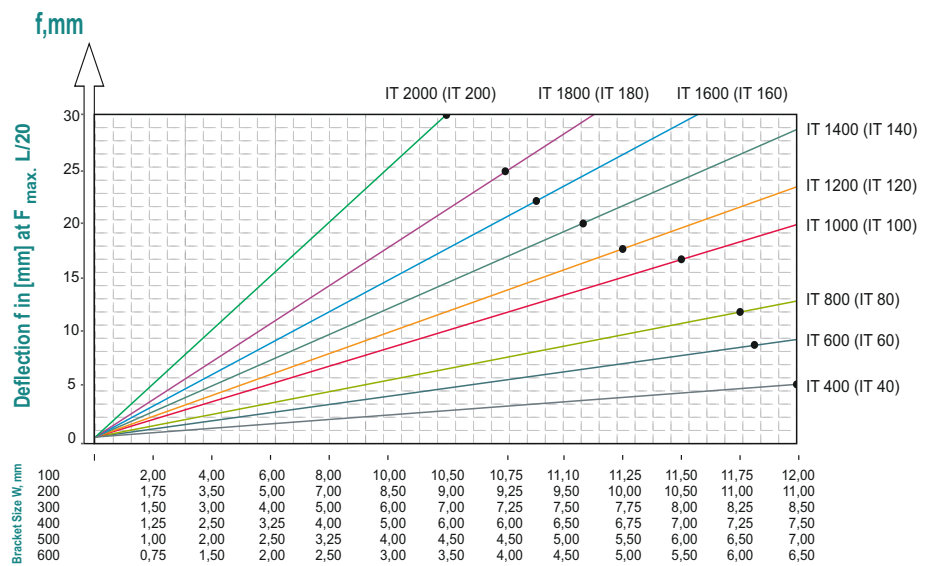
PVC

## I Support Static Values - Safe Load

I Destek Taşıma Yük Değerleri - Нагрузочная способность профилей



W : Cable tray width



Safe Working Load F in kN

## I Support "L" Mounting Angle

I Profil Birleştirme Elemanı

Соединитель I-образной профили, вертикальный



Hot Dip Galvanised

IDP 01		HDG		
CODE	Size mm	Thickness T mm	kg 1 pc	pcs
IDP 01 HDG	70x35	4,0	0,16	50

## I Support "L" Mounting Angle

I Profil Birleştirme Elemanı

Соединитель I-образной профили, вертикальный



Hot Dip Galvanised

IDP 02		HDG		
CODE	Size mm	Thickness T mm	kg 1 pc	pcs
IDP 02 HDG	80x80	4,0	0,21	50

## I Support Claw

I Profil Montaj Elemanı

Зажим к I-профилю



Hot Dip Galvanised

IDP 03		HDG		
CODE	Size mm	Thickness T mm	kg 1 pc	pcs
IDP 03 HDG	56x40	4,0	0,28	50

## I Support Carrier Lug

I Profil Montaj Elemanı

Зажим к I-профилю



Hot Dip Galvanised

IDP 04		HDG		
CODE	Size mm	Thickness T mm	kg 1 pc	pcs
IDP 04 HDG	100x40	4,0	0,21	50

## I Support Clamping Lug

I Profil Tespit Kelepçesi

Прижим к I-профилю



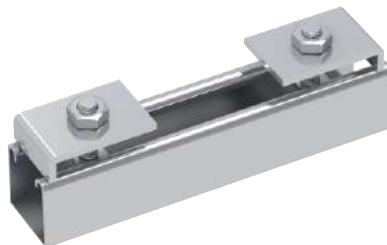
Hot Dip Galvanised

ITK		HDG		
CODE	Size mm	Height H mm	kg 1 pc	pcs
ITK 5 HDG	60x40	5,0	0,11	50
ITK 10 HDG	60x40	5,0	0,12	50
ITK 15 HDG	60x40	5,0	0,13	50
ITK 20 HDG	60x40	5,0	0,14	50
ITK 25 HDG	60x40	5,0	0,15	50

## I Support Carrier Lug

I Profil Montaj Elemanı

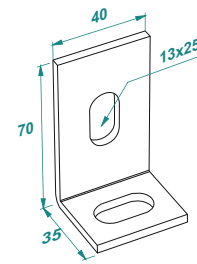
Зажим к I-профилю



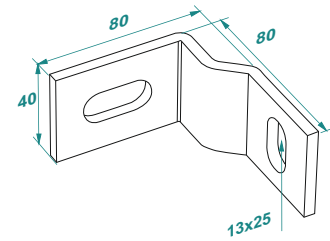
Hot Dip Galvanised

ITKA		HDG		
CODE	Size mm	Height H mm	kg 1 pc	pcs
ITKA 5 HDG	200x41	5,0	0,58	10
ITKA 10 HDG	200x41	10	0,60	10
ITKA 15 HDG	200x41	15	0,61	10
ITKA 20 HDG	200x41	20	0,62	10
ITKA 25 HDG	200x41	25	0,64	10

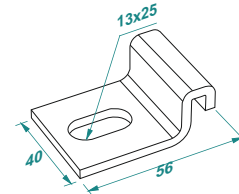
IDP 01



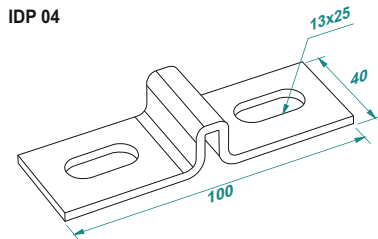
IDP 02



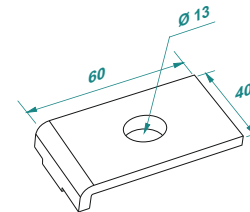
IDP 03



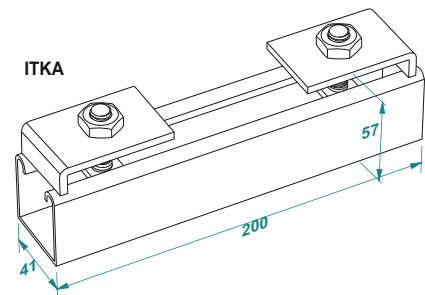
IDP 04



ITK



ITKA



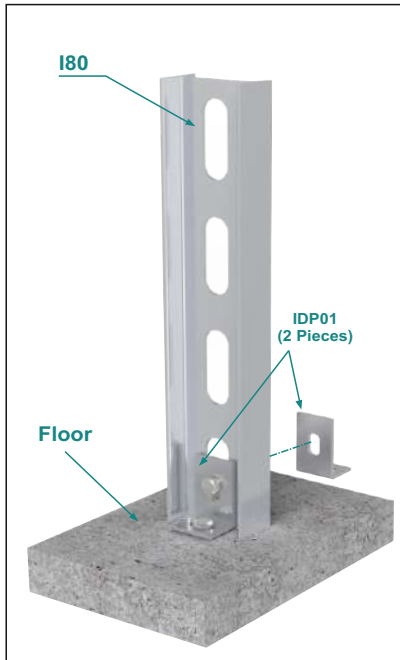
MATERIAL

HDG- Steel, hot dip galv. to TS-EN ISO 1461:2011 (HDG)

Thickn. (ga) [mm]: 3,9

## I Support Systems Installation Examples

IDP 01

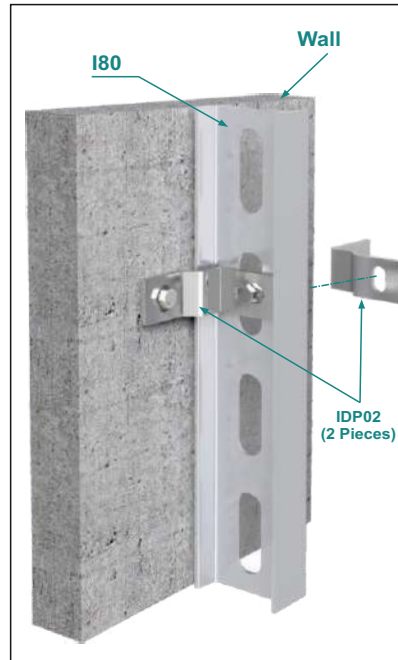


### I Support "L" Mounting Angle

*I Profil Birleştirme Elemanı*

*Соединитель I-образной профили, вертикальный*

IDP 02

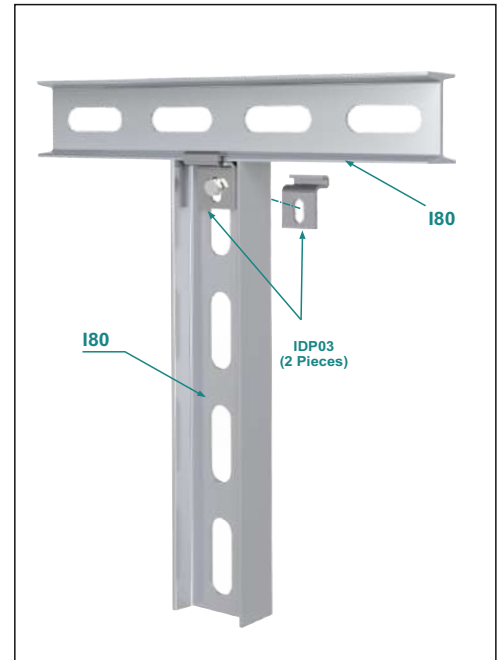


### I Support "L" Mounting Angle

*I Profil Birleştirme Elemanı*

*Соединитель I-образной профили, вертикальный*

IDP 03

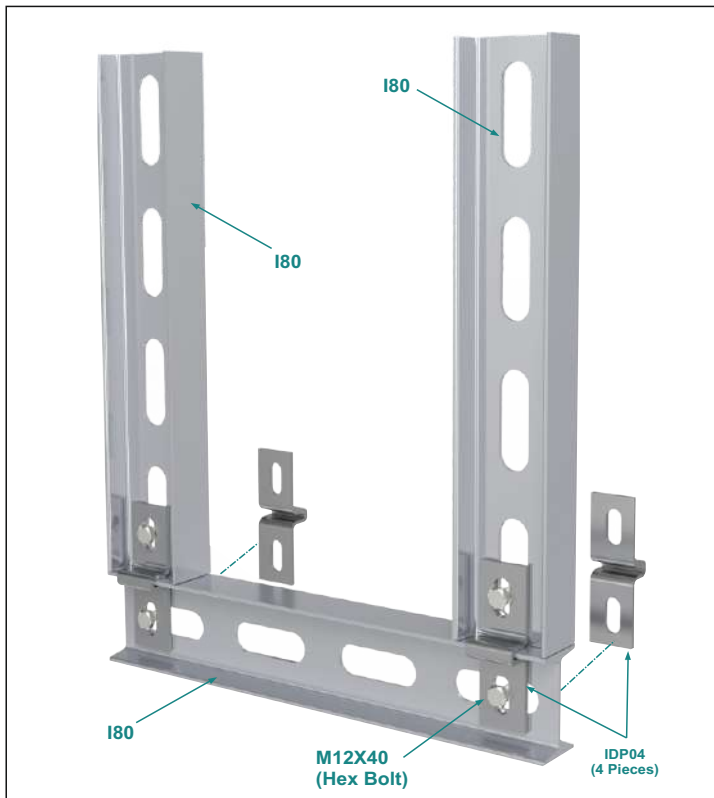


### I Support Claw

*I Profil Montaj Elemanı*

*Зажим к I-профилю*

IDP 04

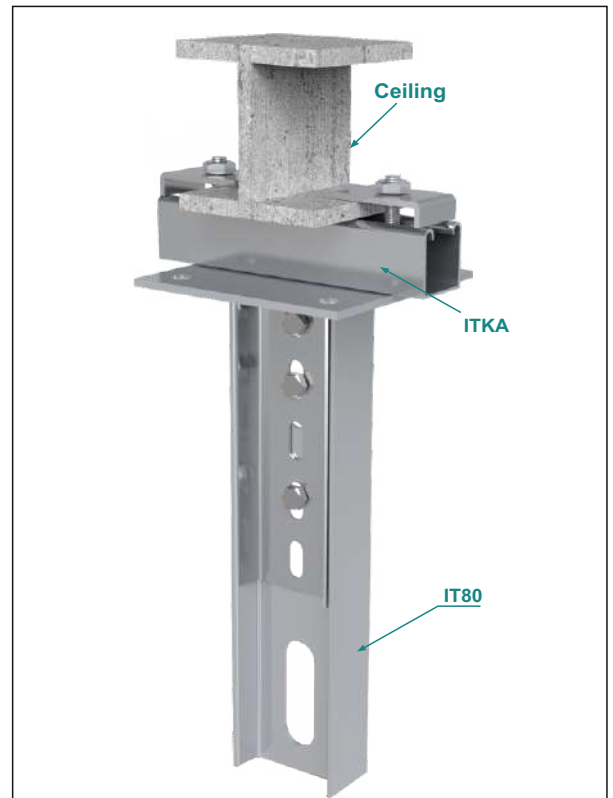


### I Support Carrier Lug

*I Profil Montaj Elemanı*

*Зажим к I-профилю*

ITKA



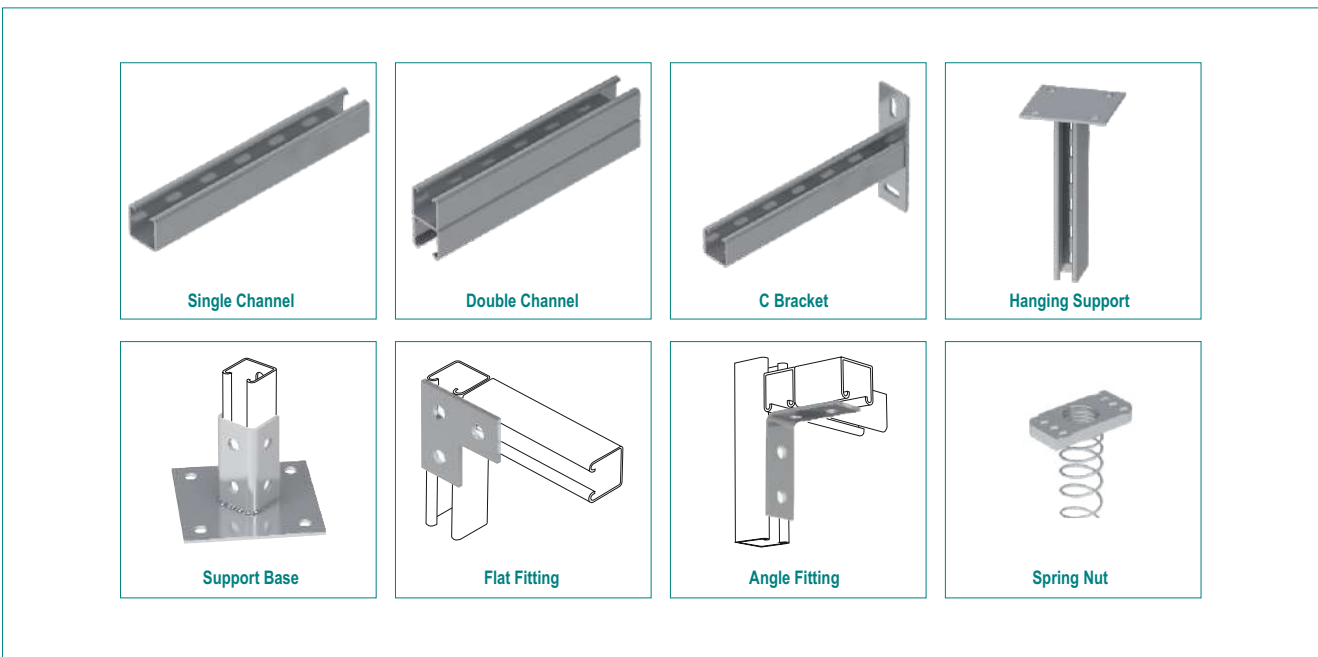
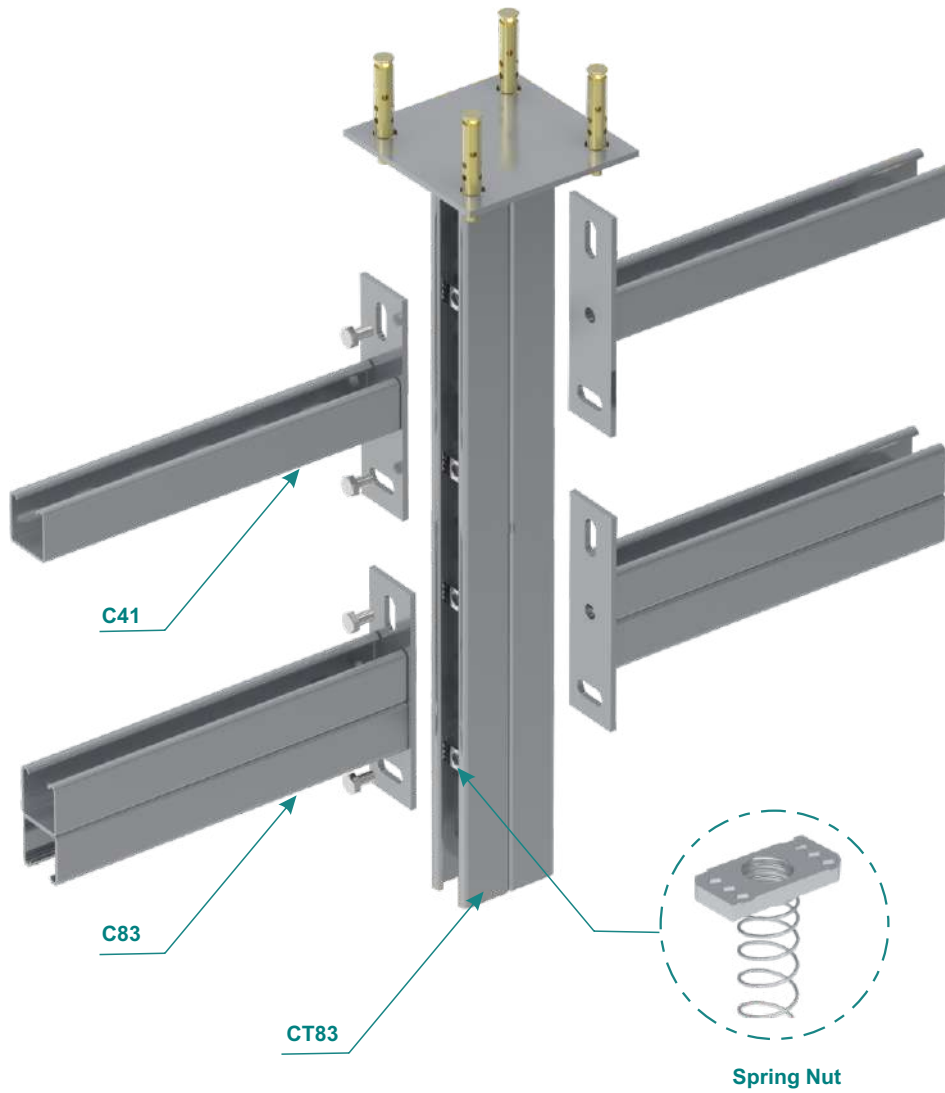
### I Support Carrier Lug

*I Profil Montaj Elemanı*

*Зажим к I-профилю*



# C Support Systems



## C Channel 21x41

C Profil 21x41 - C-образные профили 21x41



Perforated



Non-Perforated

### Pre-Galvanised

C 2141A L:3000		Thickness T mm	Length L mm	KG 1 m	pcs
CODE					
C 2141A 12 PG	1,2	3000	0,85	1	
C 2141A 15 PG	1,5	3000	1,05	1	
C 2141A 20 PG	2,0	3000	1,45	1	
C 2141A 25 PG	2,5	3000	1,80	1	

### Pre-Galvanised

C 2141 L:3000		Thickness T mm	Length L mm	KG 1 m	pcs
CODE					
C 2141 12 PG	1,2	3000	0,95	1	
C 2141 15 PG	1,5	3000	1,19	1	
C 2141 20 PG	2,0	3000	1,59	1	
C 2141 25 PG	2,5	3000	1,98	1	

### Hot Dip Galvanised

C 2141A L:3000-6000		Thickness T mm	Length L mm	KG 1 m	pcs
CODE					
C 2141A 15 HDG	1,5	3000	1,13	1	
C 2141A 20 HDG	2,0	3000	1,51	1	
C 2141A 25 HDG	2,5	3000	1,88	1	
C 2141A.60 20 HDG	2,0	6000	1,51	1	
C 2141A.60 25 HDG	2,5	6000	1,88	1	

### Hot Dip Galvanised

C 2141 L:3000-6000		Thickness T mm	Length L mm	KG 1 m	pcs
CODE					
C 2141 15 HDG	1,5	3000	1,19	1	
C 2141 20 HDG	2,0	3000	1,59	1	
C 2141 25 HDG	2,5	3000	1,98	1	
C 2141.60 20 HDG	2,0	6000	1,59	1	
C 2141.60 25 HDG	2,5	6000	1,98	1	

## C Double Channel 42x41 (Welded)

C Profil 42x21 (Sirt Sirta Kaynakli) - C-образные двоянные профили 42x41



Perforated



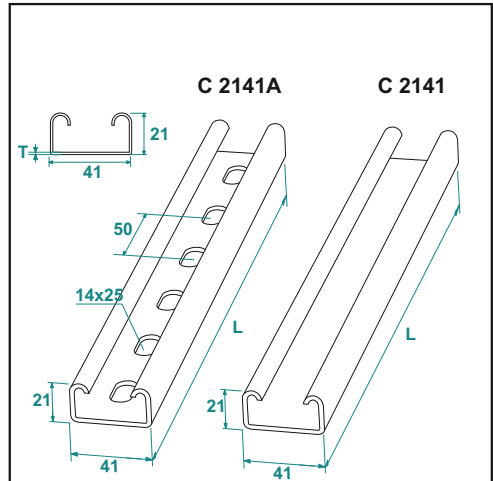
Non-Perforated

### Hot Dip Galvanised

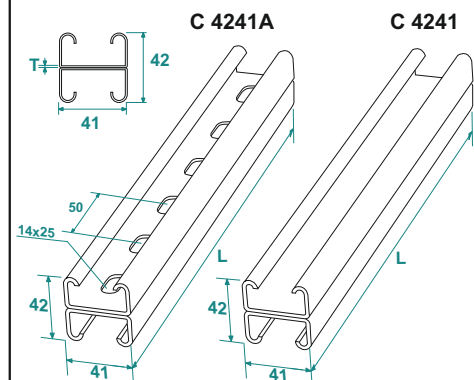
C 4241A L:3000-6000		Thickness T mm	Length L mm	KG 1 m	pcs
CODE					
C 4241A 20 HDG	2,0	3000	3,01	1	
C 4241A 25 HDG	2,5	3000	3,77	1	
C 4241A.60 20 HDG	2,0	6000	3,01	1	
C 4241A.60 25 HDG	2,5	6000	3,77	1	

### Hot Dip Galvanised

C 4241 L:3000-6000		Thickness T mm	Length L mm	KG 1 m	pcs
CODE					
C 4241 20 HDG	2,0	3000	3,14	1	
C 4241 25 HDG	2,5	3000	3,93	1	
C 4241.60 20 HDG	2,0	6000	3,14	1	
C 4241.60 25 HDG	2,5	6000	3,93	1	



C 2141A	Unit	Z - Z AXIS			Y - Y AXIS		
		1,5	2,0	2,5	1,5	2,0	2,5
Moment of Inertia	cm <sup>4</sup>	3,34	4,25	5,07	0,7	0,88	1,03
Section Modulus	cm <sup>3</sup>	1,68	1,88	2,59	0,6	0,75	0,89
Allowable Bending Stress	kN/cm <sup>2</sup>	21,82	21,82	21,82	21,82	21,82	21,82



C 4241A	Unit	Z - Z AXIS		Y - Y AXIS	
		2,0	2,5	2,0	2,5
Moment of Inertia	cm <sup>4</sup>	8,51	10,14	4,60	5,55
Section Modulus	cm <sup>3</sup>	4,26	5,18	2,19	2,65
Allowable Bending Stress	kN/cm <sup>2</sup>	21,82	21,82	21,82	21,82

### APPLICATIONS

Cable routing / Standard: IEC 61537

### MATERIAL

Steel, strip-galv. acc. to the sendzimir method to TS-EN 10346:2011 (PG)  
HDG-Steel, hot-dip galv. to TS-EN ISO 1461:2011 (HDG)

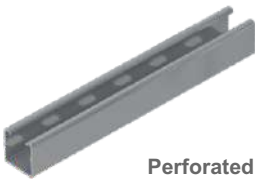
### Available finishes:

SS- Stainless steel AISI 304L and 316l (ss)  
EP- Powder coating in a full range of colours (RAL)

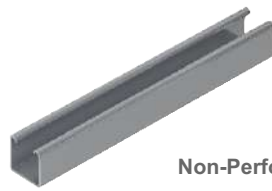
Thickn. (ga) [mm]: **1,2** 1,5 2,0 2,5

## C Channel 41x41

C Profil 41x41 - C-образные профили 41x41



Perforated



Non-Perforated

Pre-Galvanised

C 4141A L:3000					
CODE	Thickness T mm	Length L mm	KG 1 m	pcs	
C 4141A 15 PG	1,5	3000	1,55	1	
C 4141A 20 PG	2,0	3000	2,07	1	
C 4141A 25 PG	2,5	3000	2,58	1	

Pre-Galvanised

C 4141 L:3000					
CODE	Thickness T mm	Length L mm	KG 1 m	pcs	
C 4141 15 PG	1,5	3000	1,65	1	
C 4141 20 PG	2,0	3000	2,20	1	
C 4141 25 PG	2,5	3000	2,75	1	

Hot Dip Galvanised

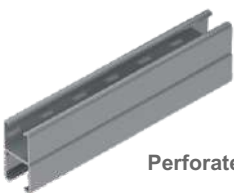
C 4141A L:3000-6000					
CODE	Thickness T mm	Length L mm	KG 1 m	pcs	
C 4141A 15 HDG	1,5	3000	1,58	1	
C 4141A 20 HDG	2,0	3000	2,11	1	
C 4141A 25 HDG	2,5	3000	2,64	1	
C 4141A.60 20 HDG	2,0	6000	2,11	1	
C 4141A.60 25 HDG	2,5	6000	2,64	1	

Hot Dip Galvanised

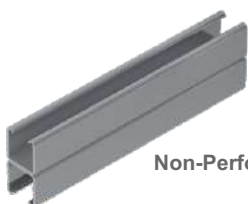
C 4141 L:3000-6000					
CODE	Thickness T mm	Length L mm	KG 1 m	pcs	
C 4141 15 HDG	1,5	3000	1,65	1	
C 4141 20 HDG	2,0	3000	2,20	1	
C 4141 25 HDG	2,5	3000	2,75	1	
C 4141.60 20 HDG	2,0	6000	2,20	1	
C 4141.60 25 HDG	2,5	6000	2,75	1	

## C Double Channel 83x41 (Welded)

C Profil 83x41 (Sirt Sirta Kaynakli) - C-образные двоянные профили 83x41



Perforated



Non-Perforated

Hot Dip Galvanised

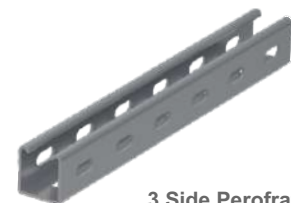
C 8341A L:3000-6000					
CODE	Thickness T mm	Length L mm	KG 1 m	pcs	
C 8341A 20 HDG	2,0	3000	4,22	1	
C 8341A 25 HDG	2,5	3000	5,28	1	
C 8341A.60 20 HDG	2,0	6000	4,22	1	
C 8341A.60 25 HDG	2,5	6000	5,28	1	

Hot Dip Galvanised

C 8341 L:3000-6000					
CODE	Thickness T mm	Length L mm	KG 1 m	pcs	
C 8341 20 HDG	2,0	3000	4,40	1	
C 8341 25 HDG	2,5	3000	5,50	1	
C 8341.60 20 HDG	2,0	6000	4,40	1	
C 8341.60 25 HDG	2,5	6000	5,50	1	

## C Channel 41x41

C Profil 41x41 - C-образные профили 41x41



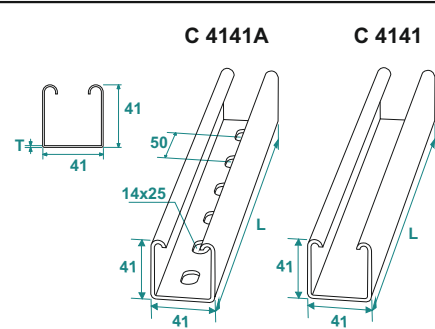
3 Side Perforated

Pre-Galvanised

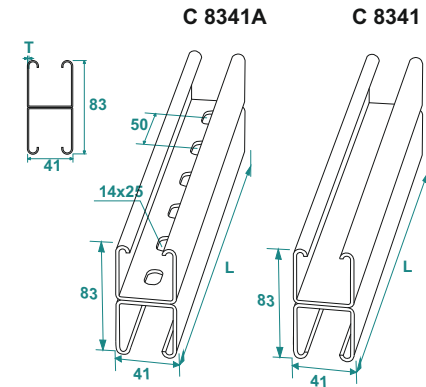
C 4141B L:3000					
CODE	Thickness T mm	Length L mm	KG 1 m	pcs	
C 4141B 15 PG	1,5	3000	1,41	1	
C 4141B 20 PG	2,0	3000	1,88	1	
C 4141B 25 PG	2,5	3000	2,35	1	

Hot Dip Galvanised

C 4141B L:3000					
CODE	Thickness T mm	Length L mm	KG 1 m	pcs	
C 4141B 15 HDG	1,5	3000	1,48	1	
C 4141B 20 HDG	2,0	3000	1,98	1	
C 4141B 25 HDG	2,5	3000	2,47	1	

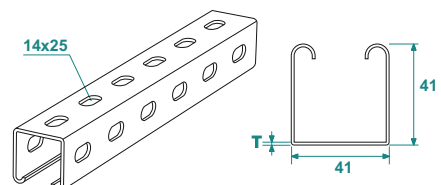


C 4141A	Unit	Z - Z AXIS			Y - Y AXIS		
		1,5	2,0	2,5	1,5	2,0	2,5
Moment of Inertia	cm <sup>4</sup>	5,68	6,99	8,67	3,87	4,59	5,87
Section Modulus	cm <sup>3</sup>	3,58	4,26	5,18	1,76	2,18	2,72
Allowable Bending Stress	kN/cm <sup>2</sup>	21,82	21,82	21,82	21,82	21,82	21,82



C 8341A	Unit	Z - Z AXIS		Y - Y AXIS	
		2,0	2,5	2,0	2,5
Moment of Inertia	cm <sup>4</sup>	14,04	17,56	26,81	34,08
Section Modulus	cm <sup>3</sup>	6,82	8,94	6,62	8,31
Allowable Bending Stress	kN/cm <sup>2</sup>	21,82	21,82	21,82	21,82

## C 4141 B



### APPLICATIONS

Cable routing / Standard: IEC 61537

### MATERIAL

Steel, strip-galv. acc. to the sendzimir method to TS-EN 10346:2011 (PG)  
HDG-Steel, hot-dip galv. to TS-EN ISO 1461:2011 (HDG)

### Available finishes:

SS- Stainless steel AISI 304L and 316L (ss)  
EP- Powder coating in a full range of colours (RAL)

Thickn. (ga) [mm]: **1,2** 1,5 2,0 2,5

## C Channel 21x41 Bracket

C Profil 21x41 Konsoli - C-образные консоли



### Hot Dip Galvanised

C21		2.0mm			
CODE	Thickness T mm	Length L mm	KG 1 pc	pcs	
C21 100 20 HDG	2,0	100	0,43	1	
C21 150 20 HDG	2,0	150	0,51	1	
C21 200 20 HDG	2,0	200	0,59	1	
C21 250 20 HDG	2,0	250	0,67	1	
C21 300 20 HDG	2,0	300	0,75	1	
C21 350 20 HDG	2,0	350	0,83	1	
C21 400 20 HDG	2,0	400	0,91	1	
C21 450 20 HDG	2,0	450	0,99	1	

### Hot Dip Galvanised

C21		2.5mm			
CODE	Thickness T mm	Length L mm	KG 1 pc	pcs	
C21 100 25 HDG	2,5	100	0,47	1	
C21 150 25 HDG	2,5	150	0,57	1	
C21 200 25 HDG	2,5	200	0,67	1	
C21 250 25 HDG	2,5	250	0,77	1	
C21 300 25 HDG	2,5	300	0,87	1	
C21 350 25 HDG	2,5	350	0,97	1	
C21 400 25 HDG	2,5	400	1,07	1	
C21 450 25 HDG	2,5	450	1,17	1	

## C Channel 41x41 Bracket

C Profil 41x41 Konsoli - C-образные консоли

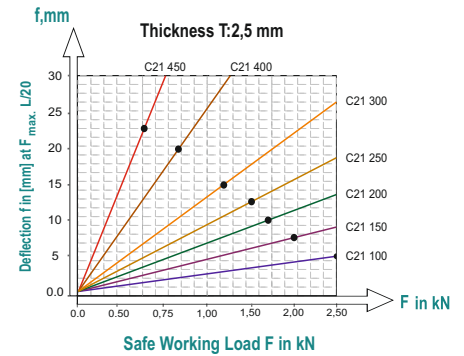
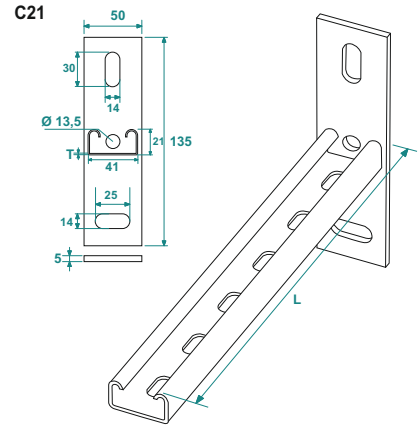


### Hot Dip Galvanised

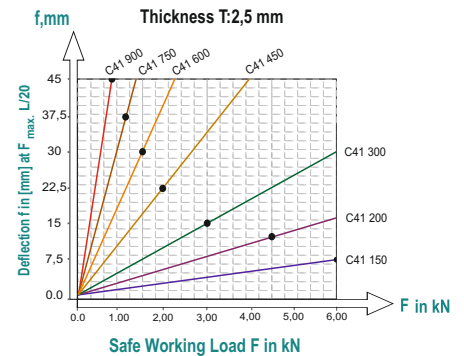
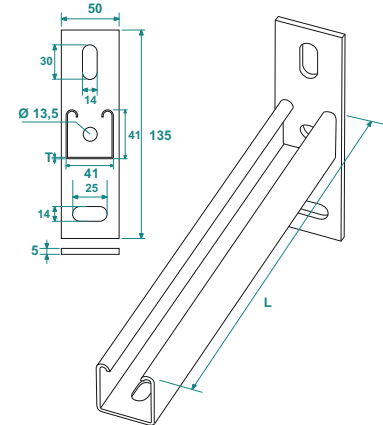
C41		2.0mm			
CODE	Thickness T mm	Length L mm	KG 1 pc	pcs	
C41 100 20 HDG	2,0	100	0,49	1	
C41 150 20 HDG	2,0	150	0,60	1	
C41 200 20 HDG	2,0	200	0,71	1	
C41 250 20 HDG	2,0	250	0,82	1	
C41 300 20 HDG	2,0	300	0,93	1	
C41 350 20 HDG	2,0	350	1,04	1	
C41 400 20 HDG	2,0	400	1,16	1	
C41 450 20 HDG	2,0	450	1,26	1	
C41 500 20 HDG	2,0	500	1,37	1	
C41 550 20 HDG	2,0	550	1,48	1	
C41 600 20 HDG	2,0	600	1,60	1	
C41 650 20 HDG	2,0	650	1,70	1	
C41 700 20 HDG	2,0	700	1,82	1	
C41 750 20 HDG	2,0	750	1,93	1	
C41 800 20 HDG	2,0	800	2,03	1	
C41 900 20 HDG	2,0	900	2,13	1	

### Hot Dip Galvanised

C41		2.5mm			
CODE	Thickness T mm	Length L mm	KG 1 pc	pcs	
C41 100 25 HDG	2,5	100	0,55	1	
C41 150 25 HDG	2,5	150	0,69	1	
C41 200 25 HDG	2,5	200	0,82	1	
C41 250 25 HDG	2,5	250	0,96	1	
C41 300 25 HDG	2,5	300	1,10	1	
C41 350 25 HDG	2,5	350	1,24	1	
C41 400 25 HDG	2,5	400	1,38	1	
C41 450 25 HDG	2,5	450	1,51	1	
C41 500 25 HDG	2,5	500	1,65	1	
C41 550 25 HDG	2,5	550	1,79	1	
C41 600 25 HDG	2,5	600	1,93	1	
C41 650 25 HDG	2,5	650	2,06	1	
C41 700 25 HDG	2,5	700	2,20	1	
C41 750 25 HDG	2,5	750	2,34	1	
C41 800 25 HDG	2,5	800	2,47	1	
C41 900 25 HDG	2,5	900	2,60	1	



### C41



**APPLICATIONS**  
Cable routing / Standard: IEC 61537

**MATERIAL**  
Steel, strip-galv. acc. to TS-EN ISO 1461:2011 (HDG)

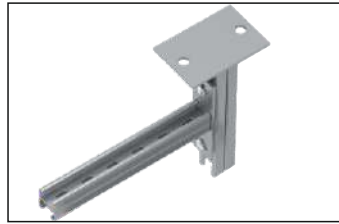
**Available finishes:**  
EG: Electro-galvanised (8-12 Micron) EN ISO 2081  
SS- Stainless steel AISI 304L and 316L (SS)  
EP- Powder coating in a full range of colours (RAL)

Thickn. (ga) [mm]: **2.0 2.5**



## C Channel 42x41 Bracket

C Profil 42x41 Konsolu - C-образные сдвоенные консоли



Hot Dip Galvanised

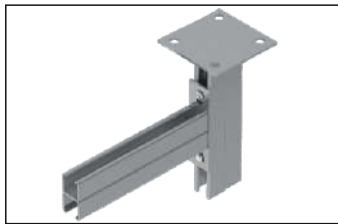
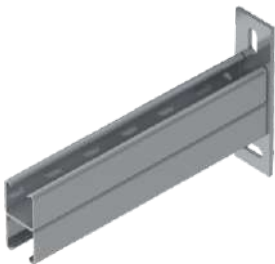
C42		2.0mm		
CODE	Thickness T mm	Length L mm	kg 1 pc	pcs
C42 200 20 HDG	2,0	200	0,90	1
C42 300 20 HDG	2,0	300	1,21	1
C42 350 20 HDG	2,0	350	1,38	1
C42 400 20 HDG	2,0	400	1,52	1
C42 450 20 HDG	2,0	450	1,70	1
C42 500 20 HDG	2,0	500	1,86	1
C42 550 20 HDG	2,0	550	2,02	1
C42 600 20 HDG	2,0	600	2,14	1
C42 650 20 HDG	2,0	650	2,34	1
C42 700 20 HDG	2,0	700	2,45	1
C42 750 20 HDG	2,0	750	2,60	1
C42 800 20 HDG	2,0	800	2,81	1
C42 900 20 HDG	2,0	900	3,01	1

Hot Dip Galvanised

C42		2.5mm		
CODE	Thickness T mm	Length L mm	kg 1 pc	pcs
C42 200 25 HDG	2,5	200	1,07	1
C42 300 25 HDG	2,5	300	1,46	1
C42 350 25 HDG	2,5	350	1,66	1
C42 400 25 HDG	2,5	400	1,86	1
C42 450 25 HDG	2,5	450	2,06	1
C42 500 25 HDG	2,5	500	2,26	1
C42 550 25 HDG	2,5	550	2,46	1
C42 600 25 HDG	2,5	600	2,65	1
C42 650 25 HDG	2,5	650	2,85	1
C42 700 25 HDG	2,5	700	3,05	1
C42 750 25 HDG	2,5	750	3,25	1
C42 800 25 HDG	2,5	800	3,45	1
C42 900 25 HDG	2,5	900	3,65	1

## C Double Channel 83x41 Bracket

C Profil 83x41 Konsolu - C-образные сдвоенные консоли

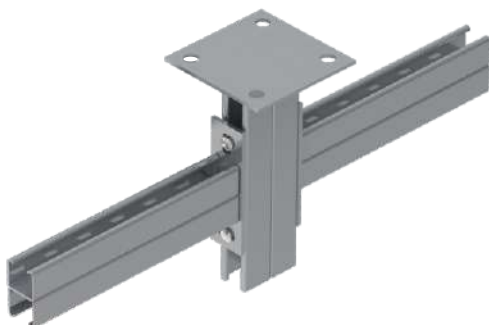


Hot Dip Galvanised

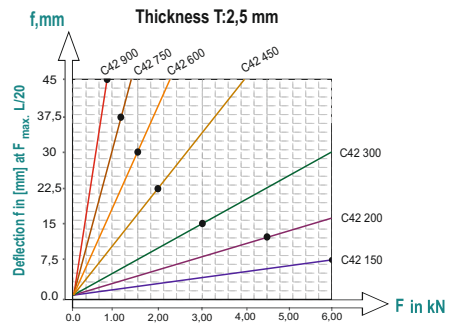
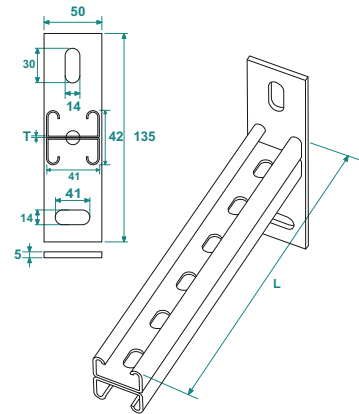
C83		2.0mm		
CODE	Thickness T mm	Length L mm	kg 1 pc	pcs
C83 200 20 HDG	2,0	200	1,16	1
C83 300 20 HDG	2,0	300	1,60	1
C83 350 20 HDG	2,0	350	1,81	1
C83 400 20 HDG	2,0	400	2,04	1
C83 450 20 HDG	2,0	450	2,25	1
C83 500 20 HDG	2,0	500	2,47	1
C83 550 20 HDG	2,0	550	2,69	1
C83 600 20 HDG	2,0	600	2,92	1
C83 650 20 HDG	2,0	650	3,13	1
C83 700 20 HDG	2,0	700	3,36	1
C83 750 20 HDG	2,0	750	3,58	1
C83 800 20 HDG	2,0	800	3,79	1
C83 850 20 HDG	2,0	850	4,02	1
C83 900 20 HDG	2,0	900	4,24	1
C83 950 20 HDG	2,0	950	4,46	1
C83 1000 20 HDG	2,0	1000	4,68	1
C83 1050 20 HDG	2,0	1050	4,90	1

Hot Dip Galvanised

C83		2.5mm		
CODE	Thickness T mm	Length L mm	kg 1 pc	pcs
C83 200 25 HDG	2,5	200	1,38	1
C83 300 25 HDG	2,5	300	1,93	1
C83 350 25 HDG	2,5	350	2,20	1
C83 400 25 HDG	2,5	400	2,48	1
C83 450 25 HDG	2,5	450	2,75	1
C83 500 25 HDG	2,5	500	3,02	1
C83 550 25 HDG	2,5	550	3,30	1
C83 600 25 HDG	2,5	600	3,58	1
C83 650 25 HDG	2,5	650	3,85	1
C83 700 25 HDG	2,5	700	4,13	1
C83 750 25 HDG	2,5	750	4,40	1
C83 800 25 HDG	2,5	800	4,67	1
C83 850 25 HDG	2,5	850	4,95	1
C83 900 25 HDG	2,5	900	5,23	1
C83 950 25 HDG	2,5	950	5,50	1
C83 1000 25 HDG	2,5	1000	5,78	1
C83 1050 25 HDG	2,5	1050	6,05	1

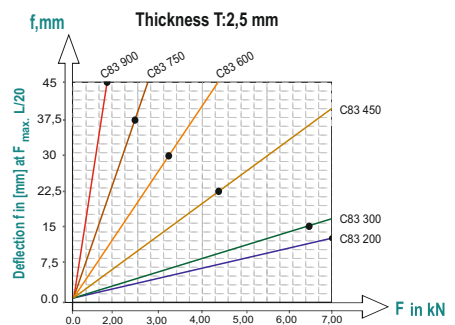
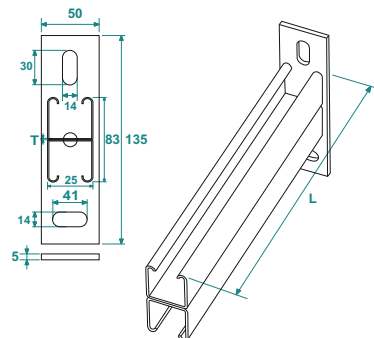


C42



C83

Safe Working Load F in kN



### APPLICATIONS

Cable routing

### MATERIAL

HDG-Steel, hot-dip galv. to TS-EN ISO 1461:2011 (HDG)

### Available finishes:

EG- Electro-galvanised (8-12 Micron) EN ISO 2081  
 SS- Stainless steel AISI 304L and 316L (SS)  
 EP- Powder coating in a full range of colours (RAL)

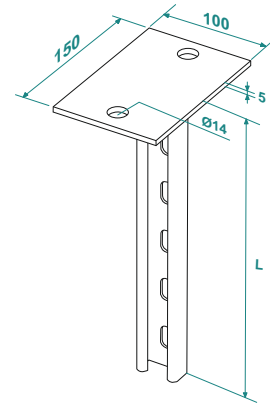
Thickn. (ga) [mm]: 2.0 2.5

## C Channel Hanging Support 41x21

C Profil Tavan Tespiti 41x21 - C-образная потолочная станина 41x21



CT21



Hot Dip Galvanised

CT21		2.0mm			
CODE	Thickness T mm	Length L mm	kg 1 pc	pcs	
CT21 025 20 HDG	2.0	250	1,00	1	
CT21 030 20 HDG	2.0	300	1,08	1	
CT21 040 20 HDG	2.0	400	1,24	1	
CT21 050 20 HDG	2.0	500	1,40	1	
CT21 060 20 HDG	2.0	600	1,56	1	
CT21 070 20 HDG	2.0	700	1,72	1	
CT21 075 20 HDG	2.0	750	1,80	1	
CT21 080 20 HDG	2.0	800	1,88	1	
CT21 100 20 HDG	2.0	1000	2,20	1	
CT21 125 20 HDG	2.0	1250	2,60	1	
CT21 150 20 HDG	2.0	1500	3,00	1	

Hot Dip Galvanised

CT21		2.5mm			
CODE	Thickness T mm	Length L mm	kg 1 pc	pcs	
CT21 025 20 HDG	2,5	250	1,10	1	
CT21 030 20 HDG	2,5	300	1,20	1	
CT21 040 20 HDG	2,5	400	1,40	1	
CT21 050 20 HDG	2,5	500	1,60	1	
CT21 060 20 HDG	2,5	600	1,80	1	
CT21 070 20 HDG	2,5	700	2,00	1	
CT21 075 20 HDG	2,5	750	2,10	1	
CT21 080 20 HDG	2,5	800	2,20	1	
CT21 100 20 HDG	2,5	1000	2,60	1	
CT21 125 20 HDG	2,5	1250	3,10	1	
CT21 150 20 HDG	2,5	1500	3,60	1	

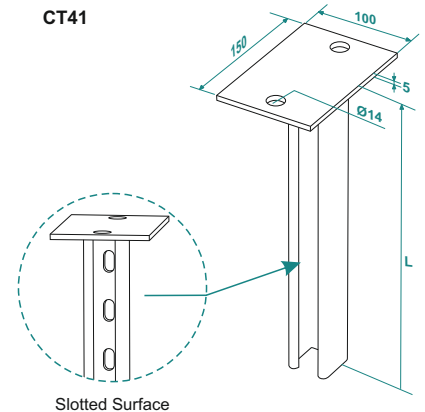
Safe Load Calculation For Ceiling Support 21x41x2,5 mm - L:800				
	Bracket Length in mm	100	200	300
	Safe Load F <sub>max</sub> in kN	0,40	0,25	0,20

## C Channel Hanging Support 41x41

C Profil Tavan Tespiti 41x41 - C-образная потолочная станина 41x41



CT41



Slotted Surface

Hot Dip Galvanised

CT41		2.0mm			
CODE	Thickness T mm	Length L mm	kg 1 pc	pcs	
CT41 025 20 HDG	2.0	250	1,15	1	
CT41 030 20 HDG	2.0	300	1,26	1	
CT41 040 20 HDG	2.0	400	1,48	1	
CT41 050 20 HDG	2.0	500	1,70	1	
CT41 060 20 HDG	2.0	600	1,92	1	
CT41 075 20 HDG	2.0	750	2,25	1	
CT41 080 20 HDG	2.0	800	2,36	1	
CT41 090 20 HDG	2.0	900	2,58	1	
CT41 100 20 HDG	2.0	1000	2,80	1	
CT41 110 20 HDG	2.0	1100	3,02	1	
CT41 120 20 HDG	2.0	1200	3,24	1	
CT41 125 20 HDG	2.0	1250	3,35	1	
CT41 150 20 HDG	2.0	1500	3,90	1	
CT41 160 20 HDG	2.0	1600	4,12	1	
CT41 170 20 HDG	2.0	1700	4,34	1	
CT41 175 20 HDG	2.0	1750	4,45	1	
CT41 180 20 HDG	2.0	1800	4,56	1	
CT41 190 20 HDG	2.0	1900	4,78	1	
CT41 200 20 HDG	2.0	2000	5,00	1	

Hot Dip Galvanised

CT41		2.5mm			
CODE	Thickness T mm	Length L mm	kg 1 pc	pcs	
CT41 025 25 HDG	2,5	250	1,29	1	
CT41 030 25 HDG	2,5	300	1,43	1	
CT41 040 25 HDG	2,5	400	1,70	1	
CT41 050 25 HDG	2,5	500	1,98	1	
CT41 060 25 HDG	2,5	600	2,25	1	
CT41 075 25 HDG	2,5	750	2,66	1	
CT41 080 25 HDG	2,5	800	2,80	1	
CT41 090 25 HDG	2,5	900	3,08	1	
CT41 100 25 HDG	2,5	1000	3,35	1	
CT41 110 25 HDG	2,5	1100	3,63	1	
CT41 120 25 HDG	2,5	1200	3,90	1	
CT41 125 25 HDG	2,5	1250	4,04	1	
CT41 150 25 HDG	2,5	1500	4,73	1	
CT41 160 25 HDG	2,5	1600	5,00	1	
CT41 170 25 HDG	2,5	1700	5,28	1	
CT41 175 25 HDG	2,5	1750	5,41	1	
CT41 180 25 HDG	2,5	1800	5,55	1	
CT41 190 25 HDG	2,5	1900	5,83	1	
CT41 200 25 HDG	2,5	2000	6,10	1	

Safe Load Calculation For Ceiling Support 41x41x2,5 mm - L:800							
	Bracket Length in mm	100	200	300	400	500	600
	Safe Load F <sub>max</sub> in kN	1,80	1,60	1,20	1,00	0,90	0,80
	Bracket Length in mm	100	200	300	400	500	600
	Safe Load F <sub>max</sub> in kN	2,60	2,30	2,00	1,80	1,60	1,40

### APPLICATIONS

Cable routing

### MATERIAL

HDG-Steel, hot-dip galv. to TS-EN ISO 1461:2011 (HDG)

Available finishes:

EG- Electro-galvanised (8-12 Micron) EN ISO 2081

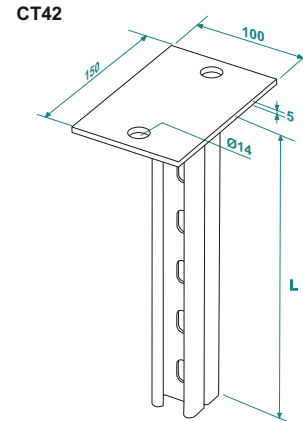
SS- Stainless steel AISI 304L and 316L (SS)

EP- Powder coating in a full range of colours (RAL)

Thickn. (ga) [mm]: 2.0 2.5

## C Channel Hanging Support 42x41

C Profil Tavan Tespiti 42x41 - C-образная потолочная станина 42x41



Hot Dip Galvanised

CT42		2.0mm			
CODE	Thickness T mm	Length L mm	KG 1 pc	pcs	
CT42 050 20 HDG	2,0	500	2,20	1	
CT42 060 20 HDG	2,0	600	2,52	1	
CT42 075 20 HDG	2,0	750	3,00	1	
CT42 080 20 HDG	2,0	800	3,16	1	
CT42 100 20 HDG	2,0	1000	3,80	1	
CT42 120 20 HDG	2,0	1200	4,44	1	
CT42 125 20 HDG	2,0	1250	4,60	1	
CT42 150 20 HDG	2,0	1500	5,40	1	
CT42 160 20 HDG	2,0	1600	5,72	1	
CT42 175 20 HDG	2,0	1750	6,20	1	
CT42 180 20 HDG	2,0	1800	6,36	1	
CT42 200 20 HDG	2,0	2000	7,00	1	

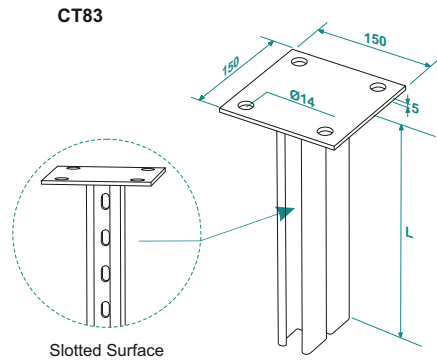
Hot Dip Galvanised

CT42		2.5mm			
CODE	Thickness T mm	Length L mm	KG 1 pc	pcs	
CT42 050 25 HDG	2,5	500	2,60	1	
CT42 060 25 HDG	2,5	600	3,00	1	
CT42 075 25 HDG	2,5	750	3,60	1	
CT42 080 25 HDG	2,5	800	3,80	1	
CT42 100 25 HDG	2,5	1000	4,60	1	
CT42 120 25 HDG	2,5	1200	5,40	1	
CT42 125 25 HDG	2,5	1250	5,60	1	
CT42 150 25 HDG	2,5	1500	6,60	1	
CT42 160 25 HDG	2,5	1600	7,00	1	
CT42 175 25 HDG	2,5	1750	7,60	1	
CT42 180 25 HDG	2,5	1800	7,80	1	
CT42 200 25 HDG	2,5	2000	8,60	1	

Safe Load Calculation For Ceiling Support 42x41x2.5 mm - L:800							
	Bracket Length in mm	100	200	300	400	500	600
	Safe Load F <sub>max</sub> in kN	1,80	1,60	1,20	1,00	0,90	0,80
	Bracket Length in mm	100	200	300	400	500	600
	Safe Load F <sub>max</sub> in kN	2,60	2,30	2,00	1,80	1,60	1,40

## C Channel Hanging Support 83x41

C Profil Tavan Tespiti 83x41 - C-образная потолочная станина 83x41



Hot Dip Galvanised

CT83		2.0mm			
CODE	Thickness T mm	Length L mm	KG 1 pc	pcs	
CT83 050 20 HDG	2,0	500	2,80	1	
CT83 060 20 HDG	2,0	600	3,24	1	
CT83 070 20 HDG	2,0	700	3,68	1	
CT83 075 20 HDG	2,0	750	3,90	1	
CT83 080 20 HDG	2,0	800	4,12	1	
CT83 090 20 HDG	2,0	900	4,56	1	
CT83 100 20 HDG	2,0	1000	5,00	1	
CT83 110 20 HDG	2,0	1100	5,44	1	
CT83 120 20 HDG	2,0	1200	5,88	1	
CT83 125 20 HDG	2,0	1250	6,10	1	
CT83 130 20 HDG	2,0	1300	6,32	1	
CT83 140 20 HDG	2,0	1400	6,76	1	
CT83 150 20 HDG	2,0	1500	7,20	1	
CT83 160 20 HDG	2,0	1600	7,64	1	
CT83 170 20 HDG	2,0	1700	8,08	1	
CT83 175 20 HDG	2,0	1750	8,30	1	
CT83 180 20 HDG	2,0	1800	8,52	1	
CT83 190 20 HDG	2,0	1900	8,96	1	
CT83 200 20 HDG	2,0	2000	9,40	1	
CT83 220 20 HDG	2,0	2200	10,28	1	
CT83 250 20 HDG	2,0	2500	11,60	1	

Hot Dip Galvanised

CT83		2.5mm			
CODE	Thickness T mm	Length L mm	KG 1 pc	pcs	
CT83 050 25 HDG	2,5	500	3,35	1	
CT83 060 25 HDG	2,5	600	3,90	1	
CT83 070 25 HDG	2,5	700	4,45	1	
CT83 075 25 HDG	2,5	750	4,73	1	
CT83 080 25 HDG	2,5	800	5,00	1	
CT83 090 25 HDG	2,5	900	5,55	1	
CT83 100 25 HDG	2,5	1000	6,10	1	
CT83 110 25 HDG	2,5	1100	6,65	1	
CT83 120 25 HDG	2,5	1200	7,20	1	
CT83 125 25 HDG	2,5	1250	7,48	1	
CT83 130 25 HDG	2,5	1300	7,75	1	
CT83 140 25 HDG	2,5	1400	8,30	1	
CT83 150 25 HDG	2,5	1500	8,85	1	
CT83 160 25 HDG	2,5	1600	9,40	1	
CT83 170 25 HDG	2,5	1700	9,95	1	
CT83 175 25 HDG	2,5	1750	10,23	1	
CT83 180 25 HDG	2,5	1800	10,50	1	
CT83 190 25 HDG	2,5	1900	11,05	1	
CT83 200 25 HDG	2,5	2000	11,60	1	
CT83 220 25 HDG	2,5	2200	12,70	1	
CT83 250 25 HDG	2,5	2500	14,35	1	

Safe Load Calculation For Ceiling Support 83x41x2.5 mm - L:800							
	Bracket Length in mm	100	200	300	400	500	600
	Safe Load F <sub>max</sub> in kN	2,10	1,80	1,60	1,40	1,20	1,10
	Bracket Length in mm	100	200	300	400	500	600
	Safe Load F <sub>max</sub> in kN	2,90	2,50	2,00	1,90	1,70	1,50

APPLICATIONS  
Cable routing

MATERIAL

HDG-Steel, hot-dip galv. to TS-EN ISO 1461:2011 (HDG)

Available finishes:

EG- Electro-galvanised (8-12 Micron) EN ISO 2081

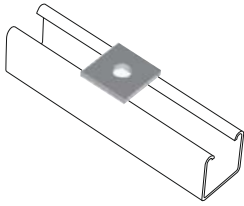
SS- Stainless steel AISI 304L and 316L (SS)

EP- Powder coating in a full range of colours (RAL)

Thickn. (ga) [mm]: **2.0 2.5**

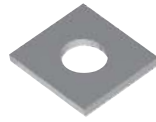
## C Channel Flat Fitting

C Profil Yatay Bağlantı Elemanı - пластина для С-образных профилей



Hot Dip Galvanised

CYB-01		5.0mm			
CODE	Size a-b, mm mm	Hole D mm	KG 1 pc	pcs	
CYB-01 HDG	40x40	14	0,063	1	
CYB-01A HDG	40x40	11	0,063	1	
CYB-01B HDG	40x40	9	0,063	1	

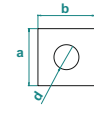
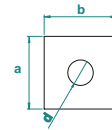


Hot Dip Galvanised

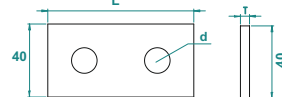
CYB-02		3.0mm			
CODE	Size a-b, mm mm	Hole D mm	KG 1 pc	pcs	
CYB-02 HDG	32x32	14	0,029	1	
CYB-02A HDG	32x32	11	0,029	1	
CYB-02B HDG	32x32	9	0,029	1	

CYB-01

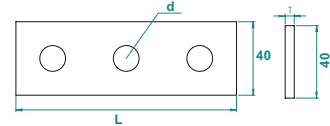
CYB-02



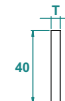
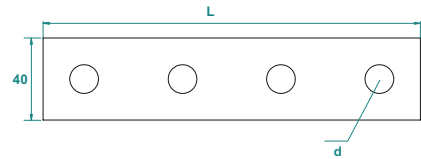
CYB-03



CYB-04

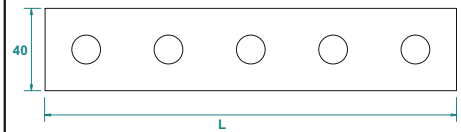


CYB-05



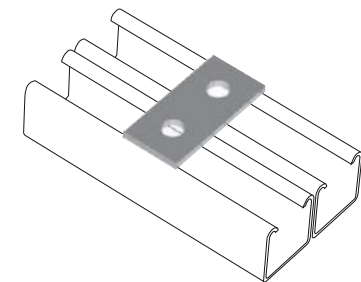
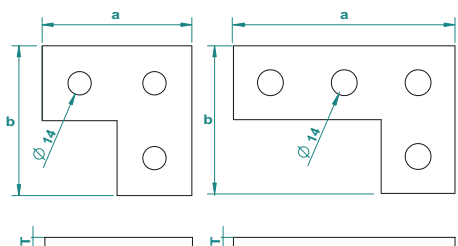
Common Width Size (CYB-05 and CYB-06)

CYB-06



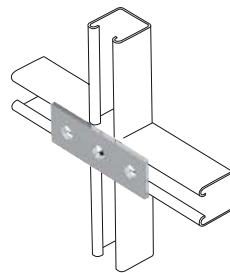
CYB-07

CYB-08



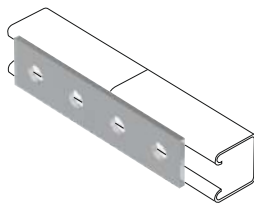
Hot Dip Galvanised

CYB-03					
CODE	Length L mm	Thickness T mm	KG 1 pc	pcs	
CYB-03 HDG	80	5	0,126	1	
CYB-03A HDG	88	6	0,166	1	



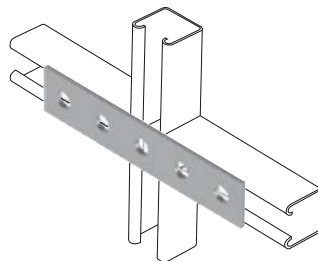
Hot Dip Galvanised

CYB-04					
CODE	Length L mm	Thickness T mm	KG 1 pc	pcs	
CYB-04 HDG	120	5	0,188	1	
CYB-04A HDG	136	6	0,256	1	



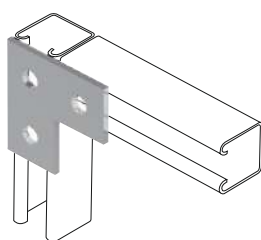
Hot Dip Galvanised

CYB-05					
CODE	Length L mm	Thickness T mm	KG 1 pc	pcs	
CYB-05 HDG	160	5	0,251	1	
CYB-05A HDG	184	6	0,347	1	



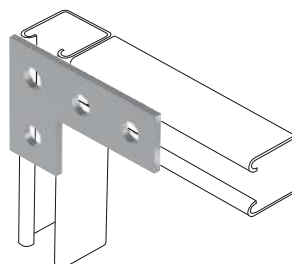
Hot Dip Galvanised

CYB-06					
CODE	Length L mm	Thickness T mm	KG 1 pc	pcs	
CYB-06 HDG	200	5	0,314	1	
CYB-06A HDG	232	6	0,437	1	



Hot Dip Galvanised

CYB-07					
CODE	Length a-b mm	Thickness T mm	KG 1 pc	pcs	
CYB-07 HDG	80x80	5	0,188	1	
CYB-07A HDG	90x90	6	0,270	1	



Hot Dip Galvanised

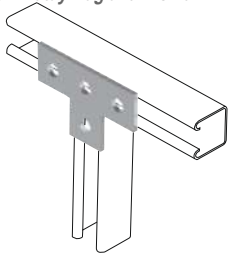
CYB-08					
CODE	Length a-b mm	Thickness T mm	KG 1 pc	pcs	
CYB-08 HDG	120x80	5	0,251	1	
CYB-08A HDG	135x80	6	0,360	1	

HDG-Steel, hot-dip galv. to TS-EN ISO 1461:2011 (HDG)

Available finishes:  
EG: Electro-galvanised (8-12 Micron) EN ISO 2081  
SS- Stainless steel AISI 304L and 316L (SS)

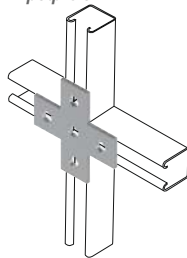
## C Channel Flat Fitting

C Profil Yatay Bağlantı Elemanı - пластина для C-образных профилей



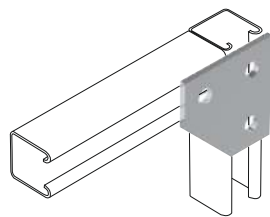
Hot Dip Galvanised

CYB-09					
CODE	Size a-b, mm mm	Thickness T mm	KG 1 pc	pcs	
CYB-09 HDG	120x80	5	0,251	1	
CYB-09A HDG	135x90	6	0,360	1	



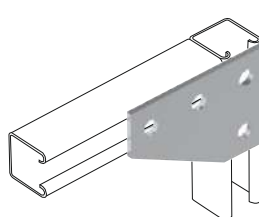
Hot Dip Galvanised

CYB-10					
CODE	Size a-b, mm mm	Thickness T mm	KG 1 pc	pcs	
CYB-10 HDG	120x120	5	0,340	1	
CYB-10A HDG	135x135	6	0,470	1	



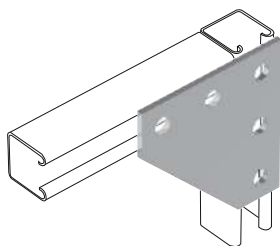
Hot Dip Galvanised

CYB-11					
CODE	Size mm	Thickness T mm	KG 1 pc	pcs	
CYB-11 HDG	90x90	5	0,267	1	
CYB-11A HDG	90x90	6	0,320	1	



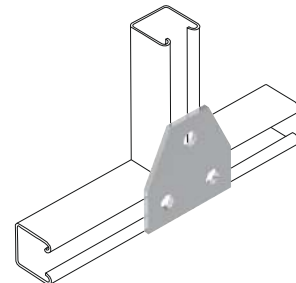
Hot Dip Galvanised

CYB-12					
CODE	Size mm	Thickness T mm	KG 1 pc	pcs	
CYB-12 HDG	135x90	5	0,392	1	
CYB-12A HDG	135x90	6	0,470	1	



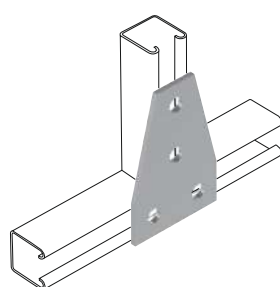
Hot Dip Galvanised

CYB-13					
CODE	Size mm	Thickness T mm	KG 1 pc	pcs	
CYB-13 HDG	135x135	5	0,567	1	
CYB-13A HDG	135x135	6	0,680	1	



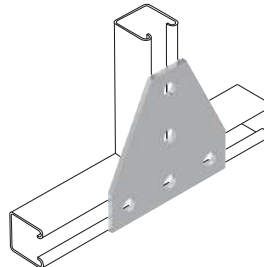
Hot Dip Galvanised

CYB-14					
CODE	Size mm	Thickness T mm	KG 1 pc	pcs	
CYB-14 HDG	90x90	5	0,267	1	
CYB-14A HDG	90x90	6	0,320	1	



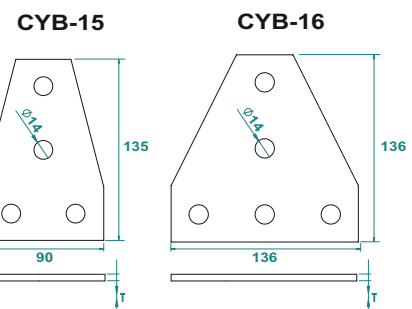
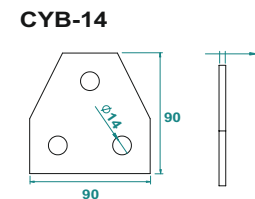
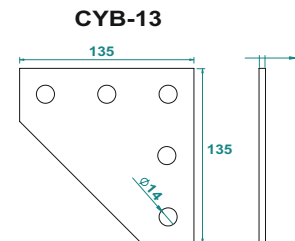
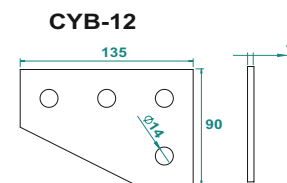
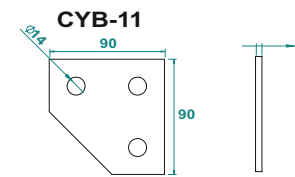
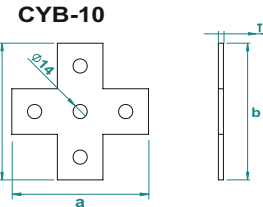
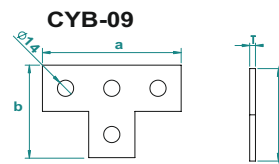
Hot Dip Galvanised

CYB-15					
CODE	Size mm	Thickness T mm	KG 1 pc	pcs	
CYB-15 HDG	135x90	5	0,392	1	
CYB-15A HDG	135x90	6	0,470	1	



Hot Dip Galvanised

CYB-16					
CODE	Size mm	Thickness T mm	KG 1 pc	pcs	
CYB-16 HDG	136x136	5	0,725	1	
CYB-16A HDG	136x136	6	0,870	1	



### MATERIAL

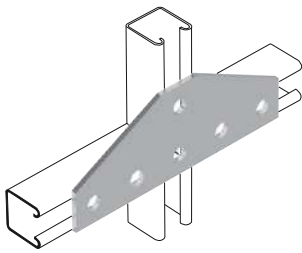
HDG-Steel, hot-dip galv. to TS-EN ISO 1461:2011 (HDG)

Available finishes:

EG: Electro-galvanised (8-12 Micron) EN ISO 2081  
SS- Stainless steel AISI 304L and 316L (SS)

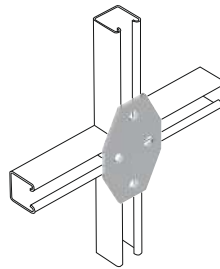
## C Channel Flat Fitting

C Profil Yatay Bağlantı Elemanı - пластина для C-образных профилей



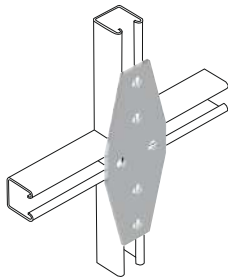
Hot Dip Galvanised

CYB-17					
CODE	Size mm	Thickness T mm	KG 1 pc	pcs	
CYB-17 HDG	232x90	5	0,667	1	
CYB-17A HDG	232x90	6	0,800	1	



Hot Dip Galvanised

CYB-18					
CODE	Size mm	Thickness T mm	KG 1 pc	pcs	
CYB-18 HDG	135x90	5	0,392	1	
CYB-18A HDG	135x90	6	0,470	1	

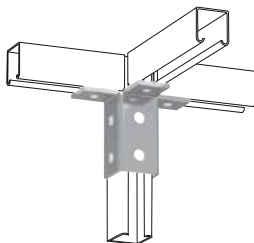


Hot Dip Galvanised

CYB-19					
CODE	Size mm	Thickness T mm	KG 1 pc	pcs	
CYB-19 HDG	232x90	5	0,667	1	
CYB-19A HDG	232x90	6	0,800	1	

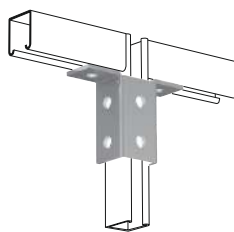
## C Channel Angle Fitting

C Profil Köşe Bağlantı Elemanı - Уголок крепежный для C-образных профилей



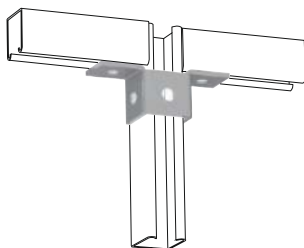
Hot Dip Galvanised

CB-01					
CODE	Size mm	Thickness T mm	KG 1 pc	pcs	
CB-01 HDG	137x98	5	0,795	1	
CB-01A HDG	137x98	6	0,954	1	



Hot Dip Galvanised

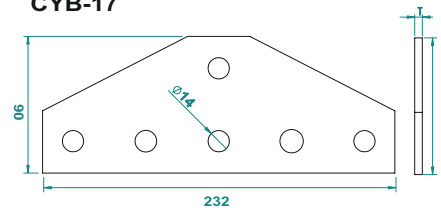
CB-02					
CODE	Size mm	Thickness T mm	KG 1 pc	pcs	
CB-02 HDG	137x98	5	0,795	1	
CB-02A HDG	137x98	6	0,954	1	



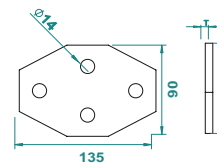
Hot Dip Galvanised

CB-03					
CODE	Size mm	Thickness T mm	KG 1 pc	pcs	
CB-03 HDG	137x50	5	0,530	1	
CB-03A HDG	137x50	6	0,636	1	

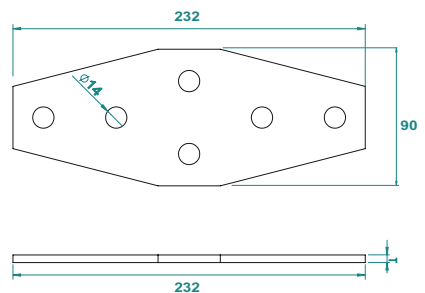
### CYB-17



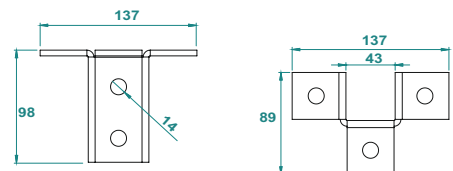
### CYB-18



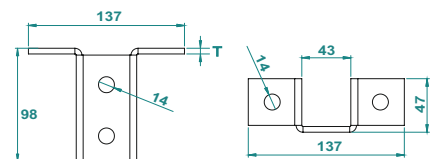
### CYB-19



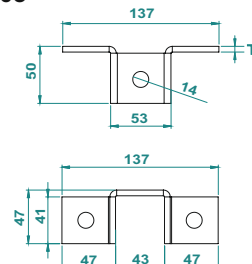
### CB-01



### CB-02



### CB-03



#### MATERIAL

HDG-Steel, hot-dip galv. to TS-EN ISO 1461:2011 (HDG)

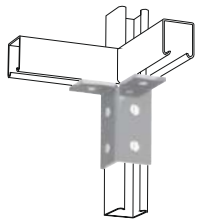
Available finishes:

EG: Electro-galvanised (8-12 Micron) EN ISO 2081

SS- Stainless steel AISI 304L and 316L (SS)

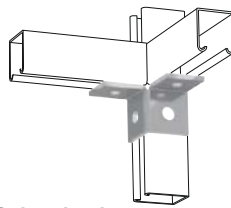
## C Channel Angle Fitting

C Profil Köşe Bağlantı Elemanı - Уголок крепежный для С-образных профилей



Hot Dip Galvanised

CB-04					
CODE	Size mm	Thickness T mm	kg 1 pc	pcs	
CB-04 HDG	90x98	5	0,477	1	
CB-04A HDG	90x98	6	0,572	1	



Hot Dip Galvanised

CB-05					
CODE	Size mm	Thickness T mm	kg 1 pc	pcs	
CB-05 HDG	90x50	5	0,318	1	
CB-05A HDG	90x50	6	0,382	1	



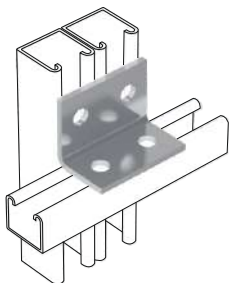
Hot Dip Galvanised

CB-06					
CODE	Size mm	Thickness T mm	kg 1 pc	pcs	
CB-06 HDG	50x50	5	0,260	1	
CB-06A HDG	50x50	6	0,270	1	



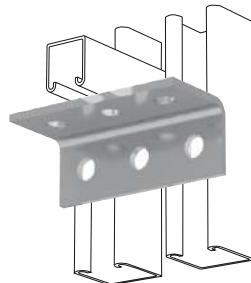
Hot Dip Galvanised

CB-07					
CODE	Size mm	Thickness T mm	kg 1 pc	pcs	
CB-07 HDG	50x50	5	0,260	1	
CB-07A HDG	50x50	6	0,270	1	



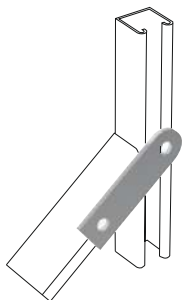
Hot Dip Galvanised

CB-08					
CODE	Size a-b mm	Thickness T mm	kg 1 pc	pcs	
CB-08 HDG	82x57	5	0,320	1	
CB-08A HDG	82x57	6	0,400	1	



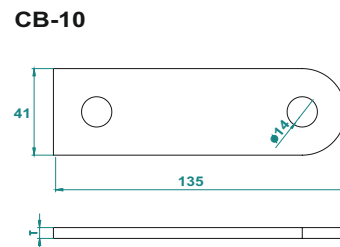
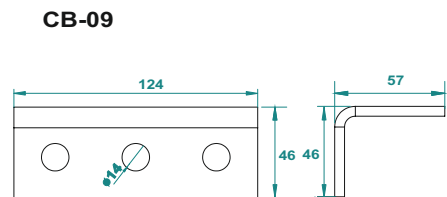
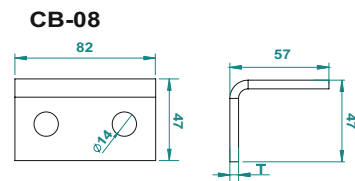
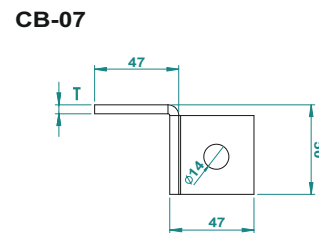
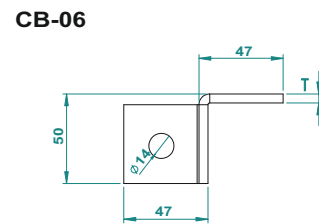
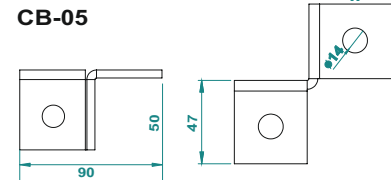
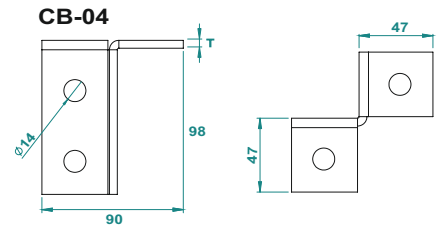
Hot Dip Galvanised

CB-09					
CODE	Size a-b mm	Thickness T mm	kg 1 pc	pcs	
CB-09 HDG	124x57	5	0,500	1	
CB-09A HDG	124x57	6	0,600	1	



Hot Dip Galvanised

CB-10					
CODE	Size mm	Thickness T mm	kg 1 pc	pcs	
CB-10 HDG	135x41	5	0,220	1	
CB-10A HDG	135x41	6	0,250	1	



### MATERIAL

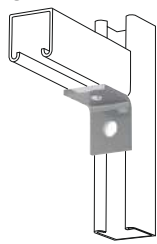
HDG-Steel, hot-dip galv. to TS-EN ISO 1461:2011 (HDG)

### Available finishes:

EG: Electro-galvanised (8-12 Micron) EN ISO 2081  
 SS- Stainless steel AISI 304L and 316L (SS)

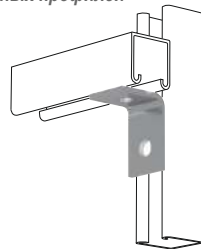
## C Channel Angle Fitting

C Profil Köşe Bağlantı Elemanı - Уголок крепежный для С-образных профилей



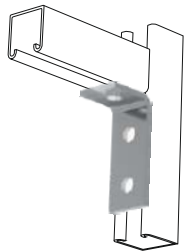
Hot Dip Galvanised

CB-11					
CODE	Size mm	Thickness T mm	KG 1 pc	pcs	
CB-11 HDG	50x47	5	0,140	1	
CB-11A HDG	50x47	6	0,170	1	



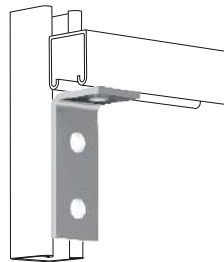
Hot Dip Galvanised

CB-12					
CODE	Size mm	Thickness T mm	KG 1 pc	pcs	
CB-12 HDG	47x52	5	0,140	1	
CB-12A HDG	47x52	6	0,170	1	



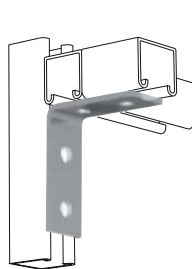
Hot Dip Galvanised

CB-13					
CODE	Size mm	Thickness T mm	KG 1 pc	pcs	
CB-13 HDG	47x98	5	0,230	1	
CB-13A HDG	47x98	6	0,260	1	



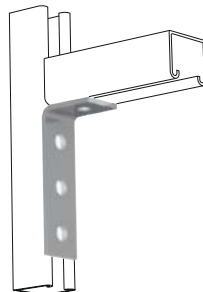
Hot Dip Galvanised

CB-14					
CODE	Size mm	Thickness T mm	KG 1 pc	pcs	
CB-14 HDG	41x104	5	0,230	1	
CB-14A HDG	41x104	6	0,270	1	



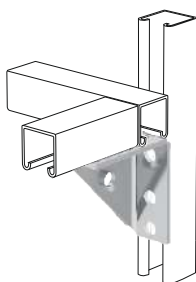
Hot Dip Galvanised

CB-15					
CODE	Size mm	Thickness T mm	KG 1 pc	pcs	
CB-15 HDG	89x104	5	0,320	1	
CB-15A HDG	89x104	6	0,400	1	



Hot Dip Galvanised

CB-16					
CODE	Size mm	Thickness T mm	KG 1 pc	pcs	
CB-09 HDG	56x137	5	0,320	1	
CB-09A HDG	56x137	6	0,350	1	



Hot Dip Galvanised

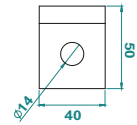
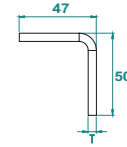
CB-17					
CODE	Size mm	Thickness T mm	KG 1 pc	pcs	
CB-17 HDG	102x102	5	0,500	1	
CB-17A HDG	102x102	6	0,600	1	



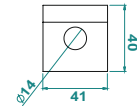
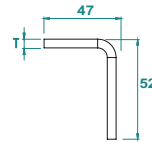
Hot Dip Galvanised

CB-18					
CODE	Size mm	Thickness T mm	KG 1 pc	pcs	
CB-18 HDG	104x137	5	0,430	1	
CB-18A HDG	104x137	6	0,470	1	

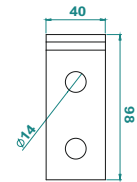
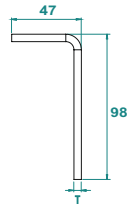
CB-11



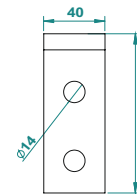
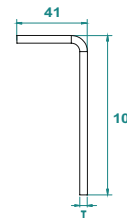
CB-12



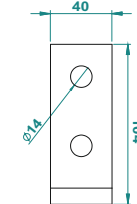
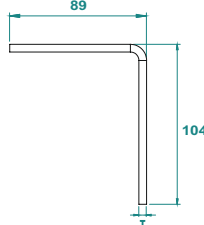
CB-13



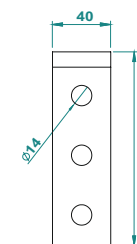
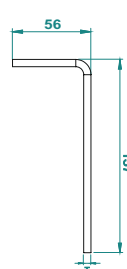
CB-14



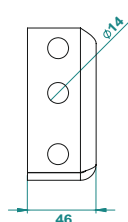
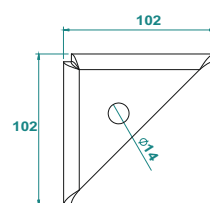
CB-15



CB-16



CB-17



### MATERIAL

HDG-Steel, hot-dip galv. to TS-EN ISO 1461:2011 (HDG)

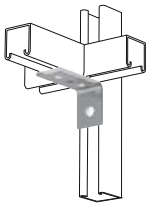
### Available finishes:

EG: Electro-galvanised (8-12 Micron) EN ISO 2081  
SS- Stainless steel AISI 304L and 316L (SS)



## C Channel Angle Fitting

C Profil Köşe Bağlantı Elemanı - Уголок крепежный для С-образных профилей



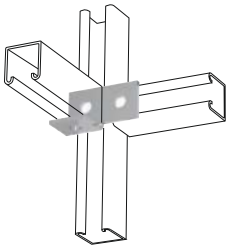
Hot Dip Galvanised

CB-19				
CODE	Size mm	Thickness T mm	KG 1 pc	pcs
CB-19 HDG	89x56	5	0,230	1
CB-19A HDG	89x56	6	0,260	1



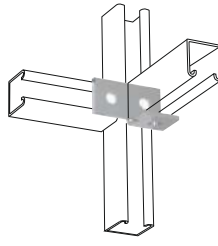
Hot Dip Galvanised

CB-20				
CODE	Size mm	Thickness T mm	KG 1 pc	pcs
CB-20 HDG	96x128	5	0,500	1
CB-20A HDG	96x128	6	0,600	1



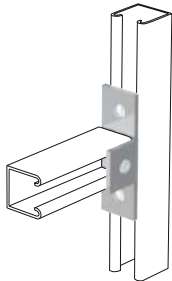
Hot Dip Galvanised

CB-21				
CODE	Size mm	Thickness T mm	KG 1 pc	pcs
CB-21 HDG	90x48	5	0,240	1
CB-21A HDG	90x48	6	0,280	1



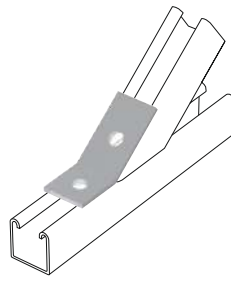
Hot Dip Galvanised

CB-22				
CODE	Size mm	Thickness T mm	KG 1 pc	pcs
CB-22 HDG	90x48	5	0,240	1
CB-22A HDG	90x48	6	0,280	1



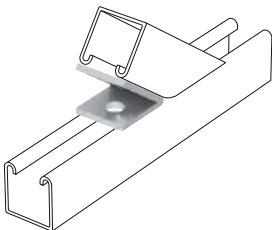
Hot Dip Galvanised

CB-23				
CODE	Size a-D mm	Thickness T mm	KG 1 pc	pcs
CB-23 HDG	120x51	5	0,280	1
CB-23A HDG	135x51	6	0,360	1



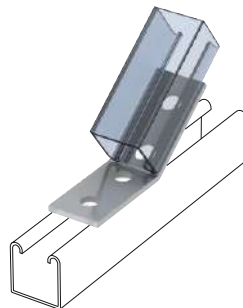
Hot Dip Galvanised

CB-24				
CODE	Size mm	Thickness T mm	KG 1 pc	pcs
CB-24 HDG	44x71	5	0,270	1



Hot Dip Galvanised

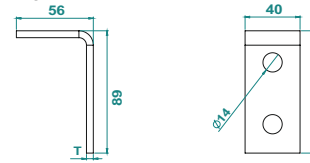
CB-25				
CODE	Size mm	Thickness T mm	KG 1 pc	pcs
CB-25 HDG	56x70	5	0,280	1



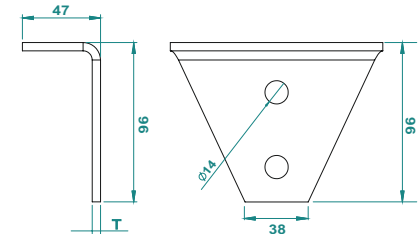
Hot Dip Galvanised

CB-26				
CODE	Size mm	Thickness T mm	KG 1 pc	pcs
CB-26 HDG	78x78	5	0,340	1

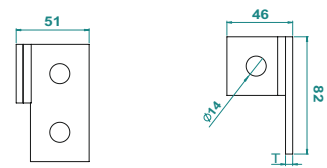
CB-19



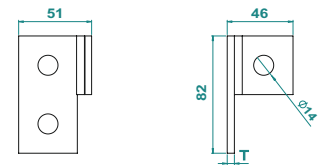
CB-20



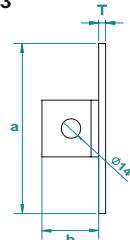
CB-21



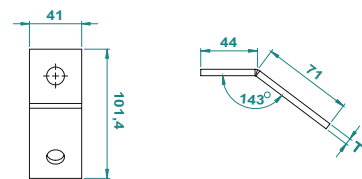
CB-22



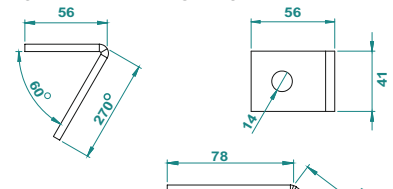
CB-23



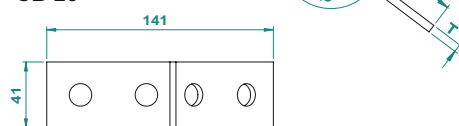
CB-24



CB-25



CB-26



### MATERIAL

HDG-Steel, hot-dip galv. to TS-EN ISO 1461:2011 (HDG)

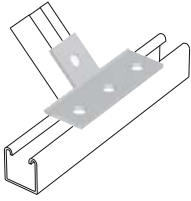
Available finishes:

EG: Electro-galvanised (8-12 Micron) EN ISO 2081

SS: Stainless steel AISI 304L and 316L (SS)

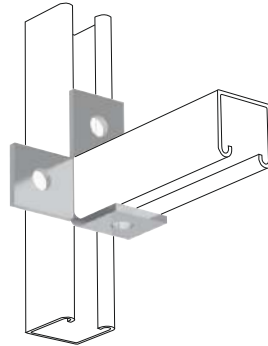
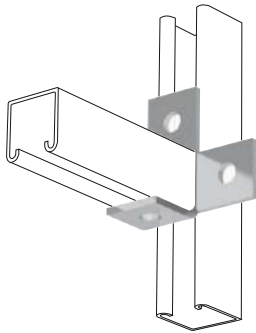
## C Channel Angle Fitting

C Profil Köşe Bağlantı Elemanı - Уголок крепежный для С-образных профилей



Hot Dip Galvanised

CB-27A					
CODE	Size a-b, mm	Thickness T, mm	Kg	pcs	
CB-27A HDG	135x90	5	0,360	1	

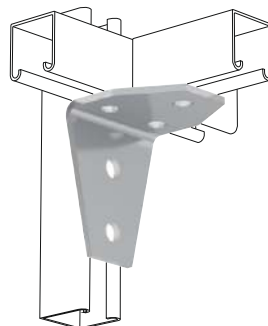
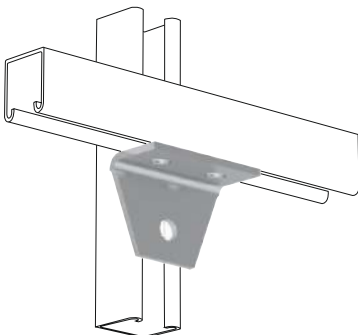


Hot Dip Galvanised

CB-27L					
CODE	Size a-b, mm	Thickness T, mm	Kg	pcs	
CB-27L HDG	90x90	5	0,360	1	

Hot Dip Galvanised

CB-27G					
CODE	Size a-b, mm	Thickness T, mm	Kg	pcs	
CB-27G HDG	90x90	5	0,860	1	



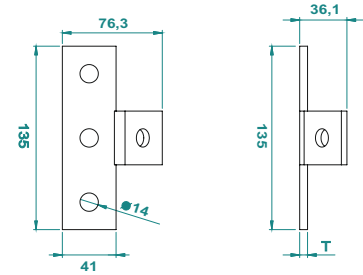
Hot Dip Galvanised

CB-28					
CODE	Size a-b, mm	Thickness T, mm	Kg	pcs	
CB-28 HDG	90x57	5	0,320	1	
CB-28A HDG	90x57	6	0,360	1	

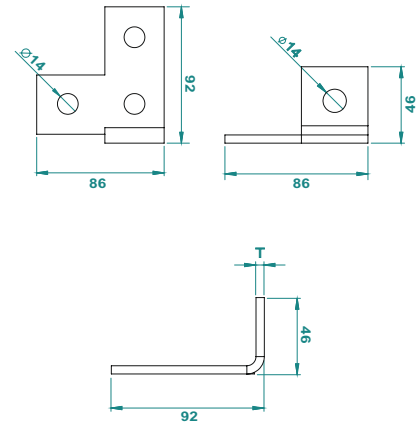
Hot Dip Galvanised

CB-29					
CODE	Size a-b, mm	Thickness T, mm	Kg	pcs	
CB-29 HDG	104x90	5	0,520	1	
CB-29A HDG	104x90	6	0,610	1	

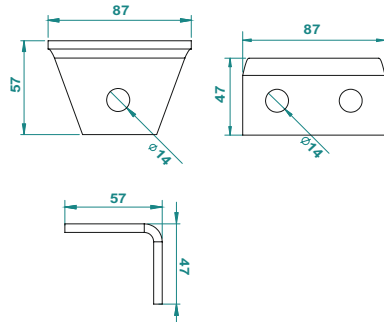
### CB-27A



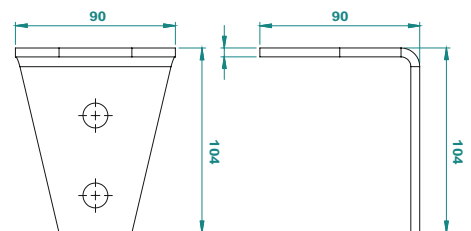
### CB-27L & CB27G (Symetrical Parts)



### CB-28



### CB-29



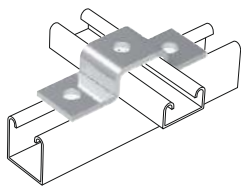
### MATERIAL

HDG-Steel, hot-dip galv. to TS-EN ISO 1461:2011 (HDG)

Available finishes:  
EG: Electro-galvanised (8-12 Micron) EN ISO 2081  
SS- Stainless steel AISI 304L and 316L (SS)

## C Channel U and Z Fitting

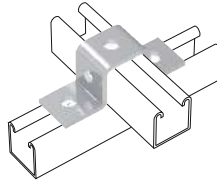
C Profil U ve Z Bağlantı Elemanı - Крепление стеновое для C-образного профиля



Hot Dip Galvanised

CB-30

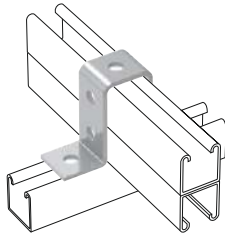
CODE	Size a-b, mm mm	Thickness T mm	kg 1 pc	pcs
CB-30 HDG	135x27	5	0,290	1
CB-30A HDG	135x27	6	0,320	1



Hot Dip Galvanised

CB-31

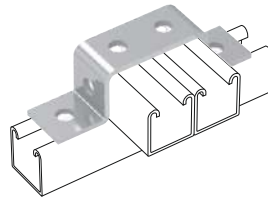
CODE	Size a-b, mm mm	Thickness T mm	kg 1 pc	pcs
CB-31 HDG	135x48	5	0,370	1
CB-31A HDG	135x48	6	0,400	1



Hot Dip Galvanised

CB-32

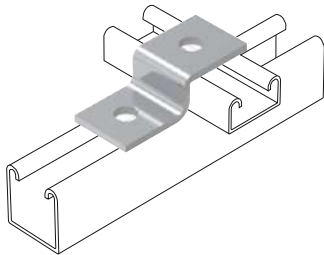
CODE	Size a-b, mm mm	Thickness T mm	kg 1 pc	pcs
CB-32 HDG	135x89	5	0,520	1
CB-32A HDG	135x89	6	0,580	1



Hot Dip Galvanised

CB-33

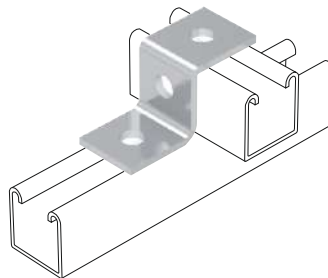
CODE	Size a-b, mm mm	Thickness T mm	kg 1 pc	pcs
CB-33 HDG	176x95	5	0,450	1
CB-33A HDG	176x95	6	0,480	1



Hot Dip Galvanised

CB-34

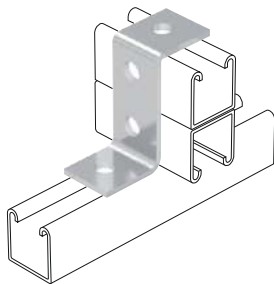
CODE	Size a-b, mm mm	Thickness T mm	kg 1 pc	pcs
CB-34 HDG	95x27	5	0,180	1
CB-34A HDG	95x27	6	0,210	1



Hot Dip Galvanised

CB-35

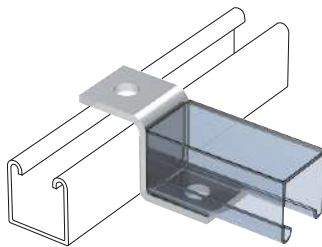
CODE	Size a-b, mm mm	Thickness T mm	kg 1 pc	pcs
CB-35 HDG	95x48	5	0,220	1
CB-35A HDG	95x48	6	0,250	1



Hot Dip Galvanised

CB-36

CODE	Size a-b, mm mm	Thickness T mm	kg 1 pc	pcs
CB-36 HDG	95x90	5	0,290	1
CB-36A HDG	95x90	6	0,320	1

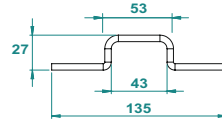


Hot Dip Galvanised

CB-37

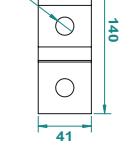
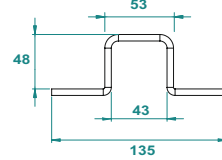
CODE	Size a-b, mm mm	Thickness T mm	kg 1 pc	pcs
CB-37 HDG	95x54	5	0,230	1
CB-37A HDG	95x54	6	0,260	1

CB-30

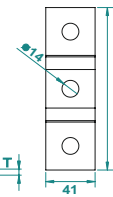
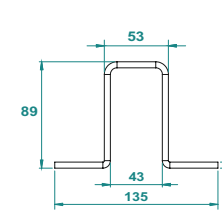


Part Common View

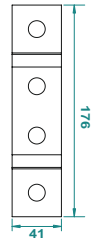
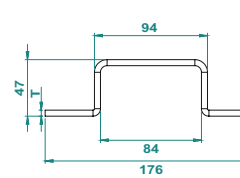
CB-31



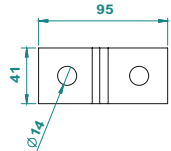
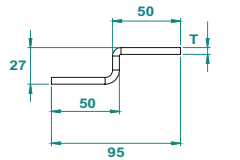
CB-32



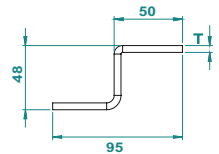
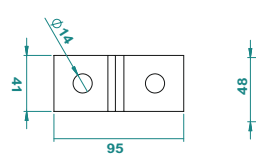
CB-33



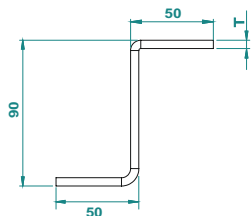
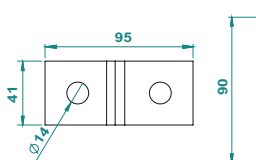
CB-34



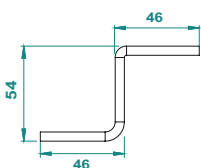
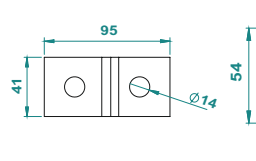
CB-35



CB-36



CB-37



MATERIAL

HDG-Steel, hot-dip galv. to TS-EN ISO 1461:2011 (HDG)

Available finishes:

EG: Electro-galvanised (8-12 Micron) EN ISO 2081

SS: Stainless steel AISI 304L and 316L (SS)

## C Channel U Fitting (Clevis)

C Profil U Bağlantı Elemanı (Clevis) - U крепеж к C профилю



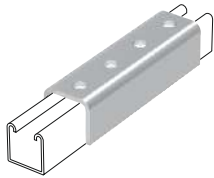
Hot Dip Galvanised

CB-38

CODE	Size mm	Thickness T mm	Kg 1 pc	Pcs
CB-38 HDG	93x47	5	0,320	1
CB-38A HDG	93x47	6	0,380	1

## C Channel Coupler and Clamps

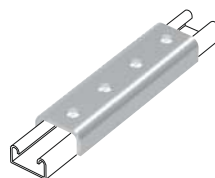
C Profil Birleştirme Elemanı ve Taşıyıcılar - Соединитель и крепеж к металлическим балкам



Hot Dip Galvanised

CE-01

CODE	Size mm	Thickness T mm	Kg 1 pc	Pcs
CE-01 HDG	184x52	5	0,920	1
CE-01A HDG	184x52	6	1,080	1



Hot Dip Galvanised

CE-02

CODE	Size a-b, mm	Thickness T mm	Kg 1 pc	Pcs
CE-02 HDG	184x25	5	0,750	1
CE-02A HDG	184x25	6	0,900	1

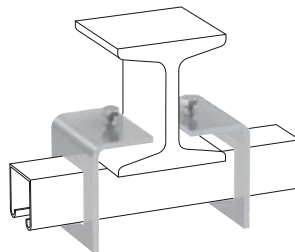


Hot Dip Galvanised

(With bolt M10x35)

CTK-01

CODE	Size mm	Thickness T mm	Kg 1 pc	Pcs
CTK-01 HDG	80x65	5	0,360	1

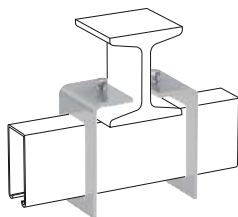


Hot Dip Galvanised

(With bolt M10x35)

CTK-02

CODE	Size mm	Thickness T mm	Kg 1 pc	Pcs
CTK-02 HDG	80x90	5	0,440	1

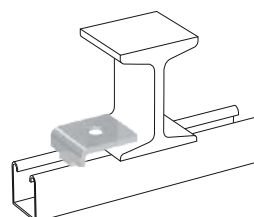


Hot Dip Galvanised

(With bolt M10x35)

CTK-03

CODE	Size mm	Thickness T mm	Kg 1 pc	Pcs
CTK-03 HDG	80x128	5	0,500	1



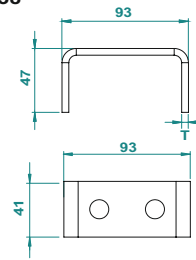
Hot Dip Galvanised

(Without bolt M10x35)

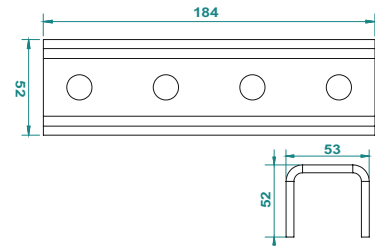
CTK-04

CODE	Size mm	Thickness T mm	Kg 1 pc	Pcs
CTK-04 HDG	56x21	5	0,050	1
CTK-04A HDG	56x21	6	0,060	1

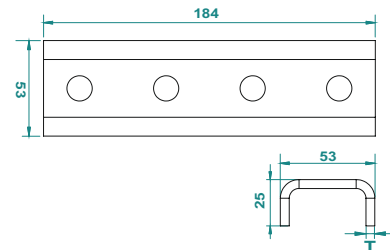
CB-38



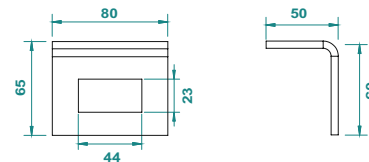
CE-01



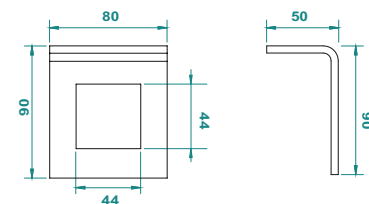
CE-02



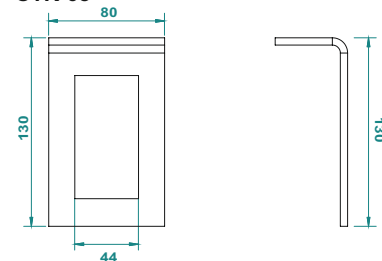
CTK-01



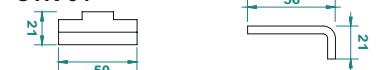
CTK-02



CTK-03



CTK-04



HDG-Steel, hot-dip galv. to TS-EN ISO 1461:2011 (HDG)

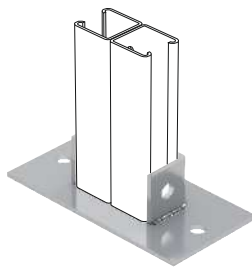
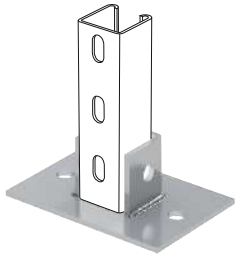
Available finishes:

EG- Electro-galvanised (8-12 Micron) EN ISO 2081

SS- Stainless steel AISI 304L and 316L (SS)

## C Channel Support Base

C Profil Zemine Sabitleme Elemani - Крепление к потолку для С-образного профиля



Hot Dip Galvanised

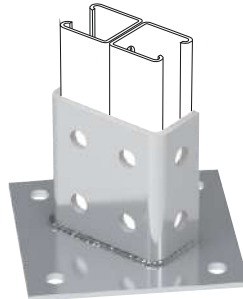
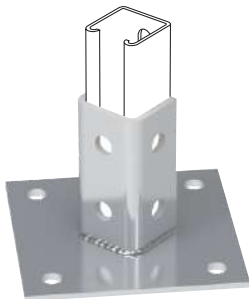
CDB-01					
CODE	Base Plate a-b mm	Height H mm	KG 1 pc	pcs	
CDB-01 HDG	150x100	45	0,800	1	

\*For single channel 41x41

Hot Dip Galvanised

CDB-02					
CODE	Base Plate a-b mm	Height H mm	KG 1 pc	pcs	
CDB-02 HDG	200x100	45	1,080	1	

\*For double channel 83x41



Hot Dip Galvanised

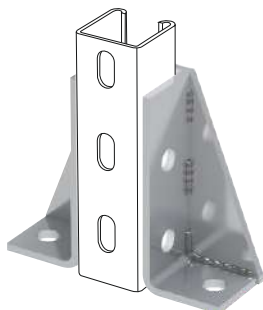
CDB-03					
CODE	Base Plate a-b mm	Height H mm	KG 1 pc	pcs	
CDB-03 HDG	150x150	90	1,350	1	
CDB-03D HDG	150x150	90	1,350	1	

\*For single channel 41x41

Hot Dip Galvanised

CDB-04					
CODE	Base Plate a-b mm	Height H mm	KG 1 pc	pcs	
CDB-04 HDG	150x150	90	1,500	1	
CDB-04D HDG	200x150	90	1,500	1	

\*For double channel 83x41



Hot Dip Galvanised

CDB-13					
CODE	Size mm	Thickness T mm	KG 1 pc	pcs	
CDB-13 HDG	146x120	5	1,100	1	

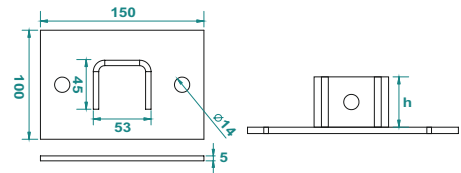
\*For single channel 41x41

Hot Dip Galvanised

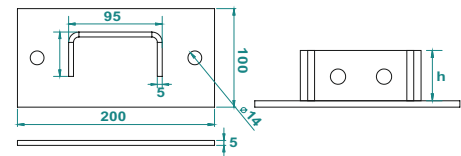
CDB-14					
CODE	Base Plate a-b mm	Thickness T mm	KG 1 pc	pcs	
CDB-14 HDG	187x120	5	1,300	1	

\*For double channel 83x41

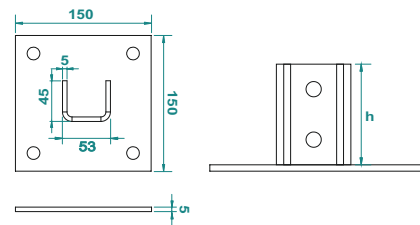
CDB-01



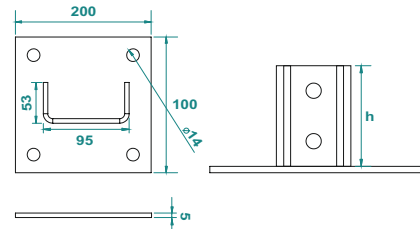
CDB-02



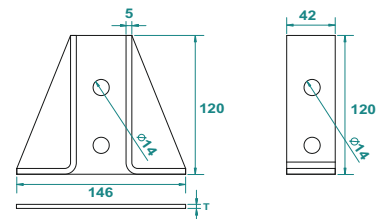
CDB-03D



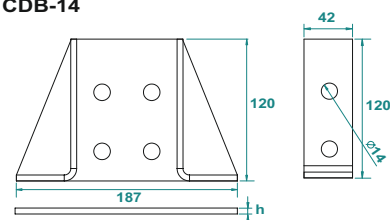
CDB-04D



CDB-13



CDB-14



### MATERIAL

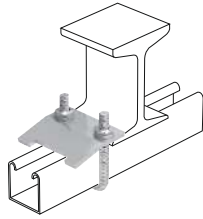
HDG-Steel, hot-dip galv. to TS-EN ISO 1461:2011 (HDG)

Available finishes:

EG: Electro-galvanised (8-12 Micron) EN ISO 2081  
SS- Stainless steel AISI 304L and 316L (SS)

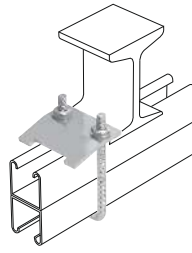
## C Channel Clamps

C Profil Taşıyıcılar - Крепеж к металлическим балкам



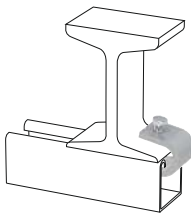
Hot Dip Galvanised

CTK-05					
CODE	Size mm	Thickness T mm	kg 1 pc	pcs	
CTK-05 HDG	80x60	5	0,360	1	



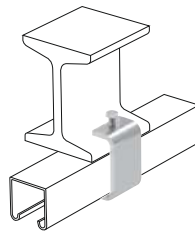
Hot Dip Galvanised

CTK-06					
CODE	Size mm	Thickness T mm	kg 1 pc	pcs	
CTK-06 HDG	120x60	5	0,400	1	



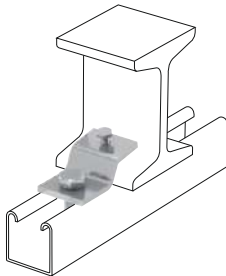
Hot Dip Galvanised

CTK-07					
CODE	Size mm	Thickness T mm	kg 1 pc	pcs	
CTK-07 HDG	50x75	5	0,160	1	



Hot Dip Galvanised

CTK-08					
CODE	Size mm	Thickness T mm	kg 1 pc	pcs	
CTK-08 HDG	50x65	6	0,280	1	



Hot Dip Galvanised (With bolt M12x40)

CTK-09					
CODE	Size a-b, mm	Thickness T mm	kg 1 pc	pcs	
CTK-09 HDG	70x40	5	0,170	1	

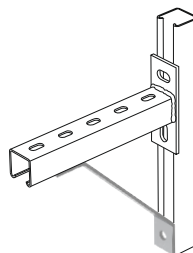
## C Channel Bracket Support Plate

Konsol Destek Elemanı - Держатель консолей



Hot Dip Galvanised

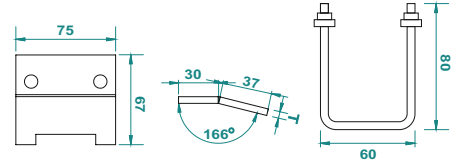
CTK-10					
CODE	Size L mm	Thickness T mm	kg 1 pc	pcs	
CTK-10 HDG	210	3	1,130	1	



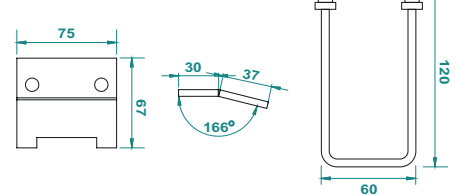
Hot Dip Galvanised

CTK-11					
CODE	Size L mm	Thickness T mm	kg 1 pc	pcs	
CTK-11A HDG	230	6	0,622	1	
CTK-11B HDG	365	6	0,876	1	
CTK-11C HDG	650	6	0,413	1	

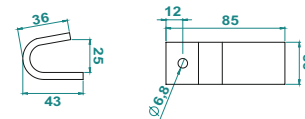
CTK-05



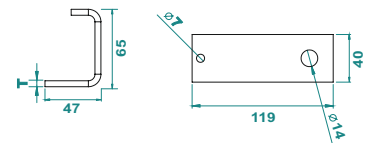
CTK-06



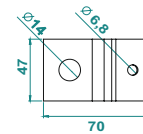
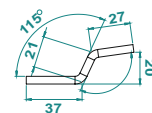
CTK-07



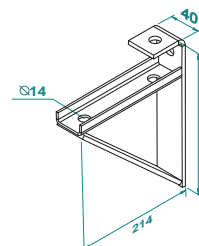
CTK-08



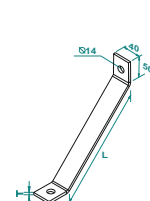
CTK-09



CTK-10



CTK-11



MATERIAL

HDG-Steel, hot-dip galv. to TS-EN ISO 1461:2011 (HDG)

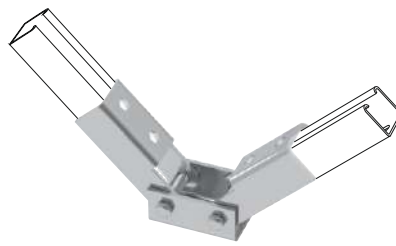
Available finishes:

EG: Electro-galvanised (8-12 Micron) EN ISO 2081

SS- Stainless steel AISI 304L and 316L (SS)

## C Channel Adjustable Brace Fitting Base

C Profil Zemine Sabitleme Elemani, Hareketli - Крепление к потолку для C-образного профиля, шарнирное



Hot Dip Galvanised

CDB-23 HDG

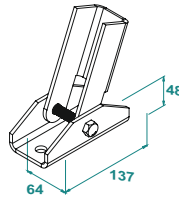
CODE	Base Plate a-b mm	Height H mm	KG 1 pc	pcs
CDB-23 HDG	137x64	37,5	1,620	1

Hot Dip Galvanised

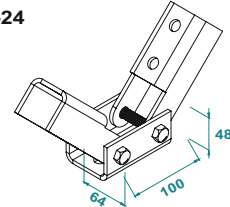
CDB-24 HDG

CODE	Base Plate a-b mm	Height H mm	KG 1 pc	pcs
CDB-24 HDG	100x64	48	2,360	1

CDB-23



CDB-24



MATERIAL

HDG - Steel, hot-dip galv. to TS-EN ISO 1461:2011 (HDG)

## C Channel Spring Nut and Fixing Bolt

C Kanal Yaylı Somun ve T Civata - Ромбовидные гайки с пружиной и T-образные болты



Spring Nut

Electro Zinc Plated

NYS - NS

CODE	Hole D mm	Length L mm	KG 1 pc	pcs
NYS 3M8	M8	30	0,041	50
NYS 3M10	M10	30	0,041	50
NYS 3M12	M12	30	0,041	50
NS M8	M8		0,038	50
NS M10	M10		0,038	50
NS M12	M12		0,038	50



Fixing Bolt

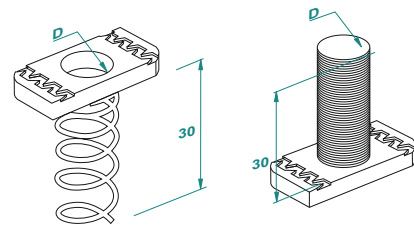
Electro Zinc Plated

NTS

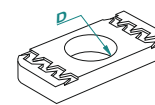
CODE	Hole D mm	Length L mm	KG 1 pc	pcs
NTS 3M8	M8	30	0,045	50
NTS 3M10	M10	30	0,070	50
NTS 3M12	M12	30	0,080	50

NYS (Spring Nut)

NTS (Fixing Bolt)



NS



MATERIAL

EG: Electro - Galvanised (8-12 micron) EN ISO 2081

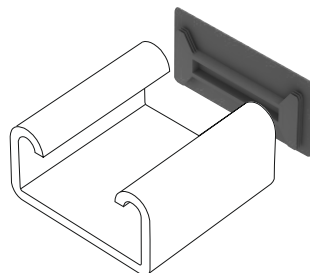
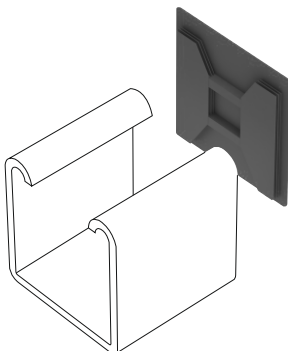
Available finishes:

EG: Electro-galvanised (8-12 Micron) EN ISO 2081

SS- Stainless steel AISI 304L and 316L (SS)

## Plastic End Cup for C Channel

C Profil Sonlandırma - Защитная пластина



PVC

END 4141 PVC

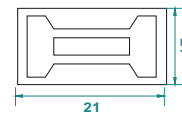
CODE	Size a-b mm	Color	KG 1 pc	pcs
END 4141 PVC	41x41	Black	0,006	100

PVC

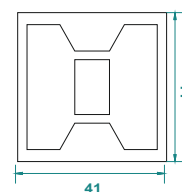
END 2141 PVC

CODE	Size a-b mm	Color	KG 1 pc	pcs
END 2141 PVC	41x21	Black	0,003	100

END4121



END4141



MATERIAL

Plastic, black color

Available finishes:

Any RAL color: upon request

In stock : Black

## C Support Static Values - Safe Load

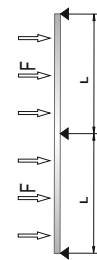
C Destek Taşıma Yük Değerleri - Нагрузочная способность профилей

Length, L mm	Def, f (max. L/200)	21x41										42x41										41x41										83x41									
		21x41x1.5		21x41x2.0		21x41x2.5		42x41x1.5		42x41x2.0		42x41x2.5		41x41x1.5		41x41x2.0		41x41x2.5		83x41x1.5		83x41x2.0		83x41x2.5																	
		C 2141A 15	C 2141A 20	C 2141A 25	q, kN	F, kN	C 4241A 15	C 4241A 20	C 4241A 25	q, kN	F, kN	C 4141A 15	C 4141A 20	C 4141A 25	q, kN	F, kN	C 8341A 15	C 8341A 20	C 8341A 25	q, kN	F, kN	C 8341A 15	C 8341A 20	C 8341A 25	q, kN	F, kN															
500	2.50	2.20	2.80	3.30	0.36	0.45	0.53	0.37	0.31	0.37	0.95	1.12	1.35	0.90	1.10	1.30	0.62	0.65	0.90	5.80	7.80	9.60	14.50	19.50	24.00	3.00	3.80														
750	3.75	1.00	1.35	1.50	0.56	0.70	0.80	0.27	0.23	0.27	0.74	0.95	1.10	0.70	0.90	1.10	0.80	0.80	2.80	3.60	4.59	8.60	10.80	13.90	2.40	3.00															
1000	5.00	0.56	0.70	0.80	0.70	0.80	0.80	0.21	0.17	0.21	0.60	0.75	0.80	0.55	0.70	0.80	0.70	0.70	1.60	2.00	2.50	4.80	6.20	7.70	2.10	2.60															
1250	6.25	0.36	0.45	0.53	0.53	0.53	0.53	0.16	0.12	0.16	0.50	0.62	0.75	0.45	0.60	0.70	0.60	0.60	1.10	1.40	1.70	3.10	3.90	5.00	1.70	2.29															
1500	7.50	0.25	0.31	0.37	0.37	0.37	0.37	0.12	0.10	0.12	0.42	0.52	0.65	0.40	0.50	0.62	0.50	0.50	0.90	1.10	1.30	2.40	3.00	3.80	1.40	1.80															
1750	8.75	0.18	0.23	0.27	0.27	0.27	0.27	0.10	0.10	0.12	0.37	0.45	0.60	0.36	0.44	0.56	0.40	0.40	0.70	0.90	1.10	1.80	2.40	3.00	1.20	1.60															
2000	10.00	0.12	0.17	0.21	0.21	0.21	0.21	0.10	0.10	0.12	0.33	0.40	0.50	0.32	0.40	0.50	0.30	0.30	0.60	0.80	1.00	1.60	2.10	2.60	1.00	1.40															
2250	11.25																																								
2500	12.50																																								
2750	13.75																																								
3000	15.00																																								

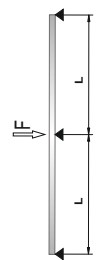
  

Length, L mm	Def, f (max. L/200)	21x41										42x41										41x41										83x41									
		21x41x1.5		21x41x2.0		21x41x2.5		42x41x1.5		42x41x2.0		42x41x2.5		41x41x1.5		41x41x2.0		41x41x2.5		83x41x1.5		83x41x2.0		83x41x2.5																	
		C 2141A 15	C 2141A 20	C 2141A 25	F, kN	C 4241A 15	C 4241A 20	C 4241A 25	F, kN	C 4141A 15	C 4141A 20	C 4141A 25	F, kN	C 8341A 15	C 8341A 20	C 8341A 25	F, kN	C 8341A 15	C 8341A 20	C 8341A 25	F, kN	C 8341A 15	C 8341A 20	C 8341A 25	F, kN																
500	2.50	0.65	0.70	0.80	0.80	0.80	1.70	2.10	2.60	0.80	1.00	1.30	1.60	2.00	2.50	3.20	4.09	4.80	5.80	7.80	9.60	14.50	19.50	24.00	3.00	3.80															
750	3.75	0.50	0.56	0.60	0.60	0.60	1.20	1.50	1.80	0.60	0.80	1.00	1.10	1.40	1.70	2.10	2.60	3.20	3.60	4.59	8.60	10.80	13.90	2.40	3.00																
1000	5.00	0.35	0.38	0.42	0.42	0.42	0.82	1.10	1.35	0.42	0.50	0.60	0.60	0.80	1.00	1.20	1.50	1.80	2.10	2.50	4.80	6.20	7.70	2.10	2.60																
1250	6.25	0.24	0.28	0.35	0.35	0.35	0.60	0.82	1.05	0.35	0.45	0.55	0.55	0.80	1.00	1.20	1.50	1.80	2.10	2.50	4.80	6.20	7.70	2.10	2.60																
1500	7.50	0.19	0.23	0.30	0.30	0.30	0.52	0.74	0.95	0.30	0.40	0.50	0.50	0.70	0.90	1.10	1.40	1.70	2.10	2.50	4.80	6.20	7.70	2.10	2.60																
1750	8.75	0.15	0.20	0.24	0.24	0.24	0.45	0.60	0.74	0.24	0.35	0.45	0.45	0.60	0.80	1.00	1.20	1.50	1.80	2.10	4.80	6.20	7.70	2.10	2.60																
2000	10.00		0.15	0.18	0.18	0.18	0.40	0.45	0.65	0.18	0.25	0.35	0.35	0.50	0.60	0.80	1.00	1.20	1.50	1.80	4.80	6.20	7.70	2.10	2.60																
2250	11.25						0.35	0.42	0.55		0.25	0.35	0.35	0.50	0.60	0.80	1.00	1.20	1.50	1.80	4.80	6.20	7.70	2.10	2.60																
2500	12.50						0.31	0.40	0.52		0.25	0.35	0.35	0.50	0.60	0.80	1.00	1.20	1.50	1.80	4.80	6.20	7.70	2.10	2.60																
2750	13.75						0.25	0.34	0.45		0.25	0.35	0.35	0.50	0.60	0.80	1.00	1.20	1.50	1.80	4.80	6.20	7.70	2.10	2.60																
3000	15.00						0.20	0.30	0.40		0.20	0.30	0.30	0.40	0.50	0.60	0.80	1.00	1.20	1.50	4.80	6.20	7.70	2.10	2.60																

UNIFORM  
LOAD, q (kN)



ALLOWABLE  
LOAD, F (kN)





Omega Support Systems



## Omega "C" Bracket

Omega "C" tipi Tavan Konsolu - Потолочная консоль (Омега)



### Pre-Galvanized

DKC ...					
CODE	Length L mm	F.max KN	KG	pcs	
DKC 100 PG	145	1.3	0.61	10	
DKC 200 PG	245	0.8	0.76	10	
DKC 300 PG	345	0.5	0.91	10	

### Hot-Dip Galvanized

DKC ...					
CODE	Length L mm	F.max KN	KG	pcs	
DKC 100 HDG	145	1.3	0.61	10	
DKC 200 HDG	245	0.8	0.76	10	
DKC 300 HDG	345	0.5	0.91	10	

## Omega "C" Bracket (Universal)

Omega "C" tipi Tavan Konsolu - Потолочная консоль (Омега)



### Pre-Galvanized

WBC ...					
CODE	Length L mm	F.max KN	KG	pcs	
WBC 100 PG	145	1.3	0.61	10	
WBC 200 PG	245	0.8	0.76	10	
WBC 300 PG	345	0.5	0.91	10	

### Hot-Dip Galvanized

WBC ...					
CODE	Length L mm	F.max KN	KG	pcs	
WBC 100 HDG	145	1.3	0.61	10	
WBC 200 HDG	245	0.8	0.76	10	
WBC 300 HDG	345	0.5	0.91	10	

## Omega Spacer

Omega mesafe parçası - Распорка консоли



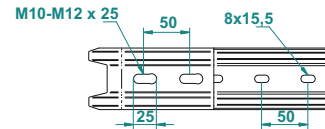
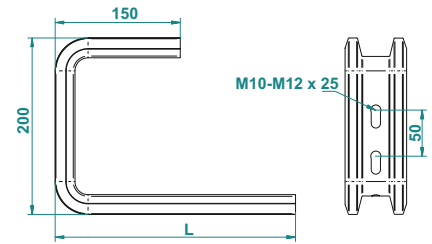
### Pre-Galvanized

OMP			
CODE	KG	pcs	
OMP PG	0.02	100	

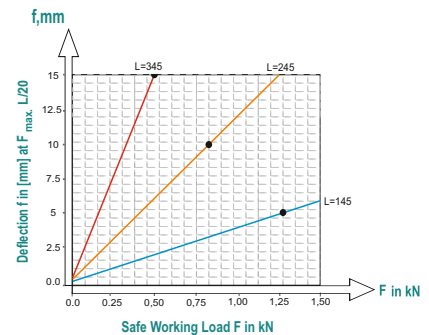
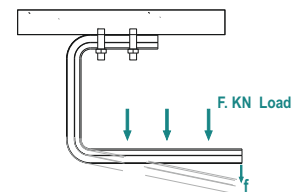
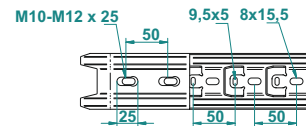
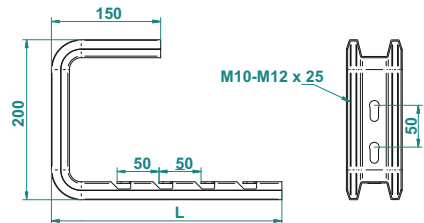
### Hot-Dip Galvanized

OMP			
CODE	KG	pcs	
OMP HDG	0.02	100	

### DKC



### WBC



### APPLICATIONS

Cable routing / Standard : IEC 61537

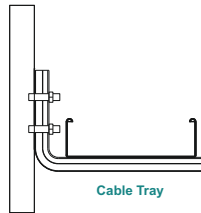
#### Available finishes:

Steel, hot-dip galv. to TS-EN ISO 1461:2011 (HDG)  
 PG- Steel, strip-galv. acc. to the Sendzimir method to TS-EN 10346:2011 (PG)  
 SS- stainless steel AISI 304L and AISI 316L (SS)  
 EP- powder coating in a full range of colours (RAL)

Thickn. (ga) [mm]: **2.0**

## Omega "L" Bracket

Omega "L" Konsol - Настенная и опорная Консоль (омега)



### Pre-Galvanized

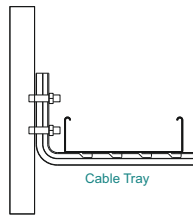
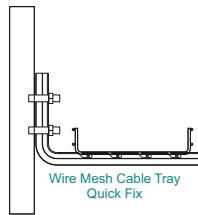
DKL ...					
CODE	Length L mm	F.max KN	kg	pcs	
DKL100 PG	145	1.5	0.38	10	
DKL150 PG	195	1.0	0.46	10	
DKL200 PG	245	0.8	0.53	10	
DKL300 PG	345	0.5	0.69	10	

### Hot-Dip Galvanized

DKL ...					
CODE	Length L mm	F.max KN	kg	pcs	
DKL100 HDG	145	1.5	0.38	10	
DKL150 HDG	195	1.0	0.46	10	
DKL200 HDG	245	0.8	0.53	10	
DKL300 HDG	345	0.5	0.69	10	

## Omega "L" Bracket ( Universal )

Omega "L" Konsol - Настенная и опорная Консоль (омега)



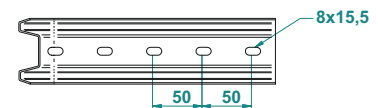
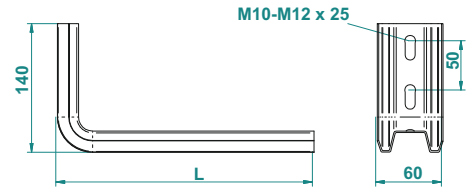
### Pre-Galvanized

WBL ...					
CODE	Length L mm	F.max KN	kg	pcs	
WBL100 PG	145	1.5	0.38	10	
WBL150 PG	195	1.0	0.46	10	
WBL200 PG	245	0.8	0.53	10	
WBL300 PG	345	0.5	0.69	10	

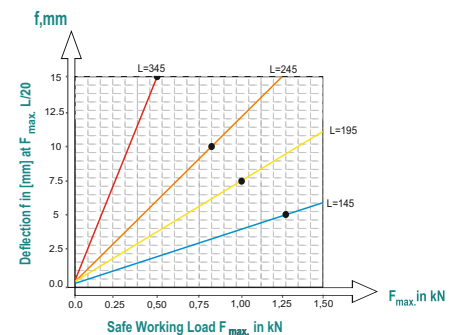
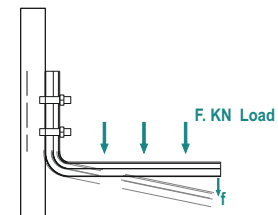
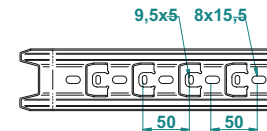
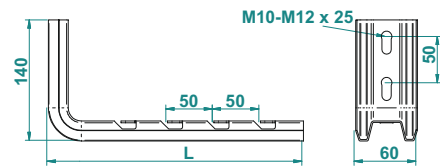
### Hot-Dip Galvanized

WBL ...					
CODE	Length L mm	F.max KN	kg	pcs	
WBL100 HDG	145	1.5	0.38	10	
WBL150 HDG	195	1.0	0.46	10	
WBL200 HDG	245	0.8	0.53	10	
WBL300 HDG	345	0.5	0.69	10	

### DKL



### WBL



### APPLICATIONS

Cable routing / Standard : IEC 61537

### Available finishes:

Steel, hot-dip galv. to TS-EN ISO 1461:2011 (HDG)

PG- Steel, strip-galv. acc. to the Sendzimir method to TS-EN 10346:2011 (PG)

SS- stainless steel AISI 304L and AISI 316L (SS)

EP- powder coating in a full range of colours (RAL)

Thickn. (ga) [mm]: 2.0

## Omega "L" Bracket (hanging support)

Omega Tavan Tespit - Потолочная стойка (омега)

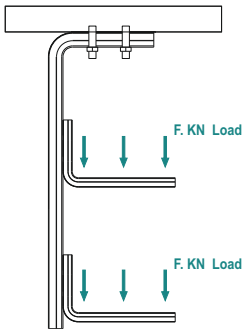


### Pre-Galvanized

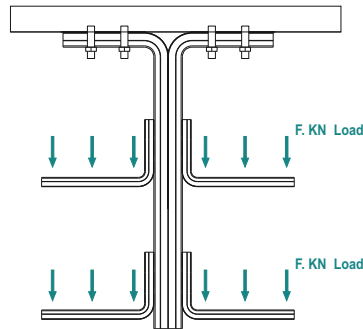
DKL ...					
CODE	Length L mm	F.max KN	kg	pcs	
DKL 400 PG	445	1.0	0.84	10	
DKL 500 PG	545	0.8	0.99	10	
DKL 600 PG	645	0.6	1.14	10	

### Hot-Dip Galvanized

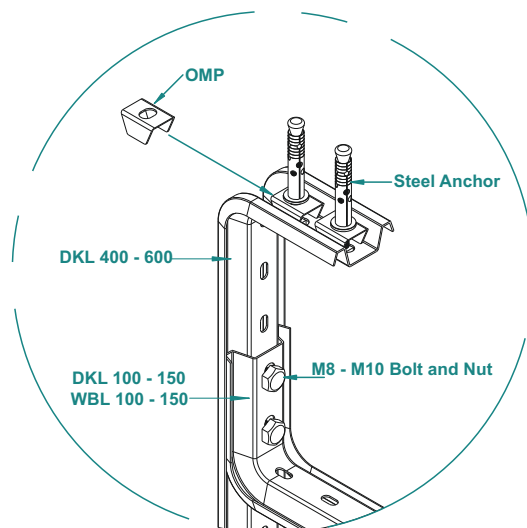
DKL ...					
CODE	Length L mm	F.max KN	kg	pcs	
DKL 400 HDG	445	1.0	0.84	10	
DKL 500 HDG	545	0.8	0.99	10	
DKL 600 HDG	645	0.6	1.14	10	



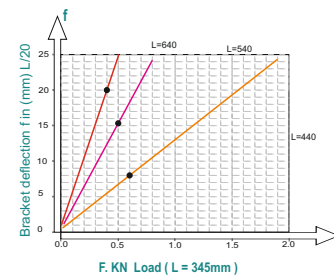
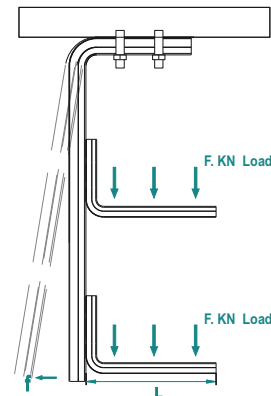
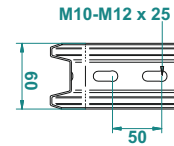
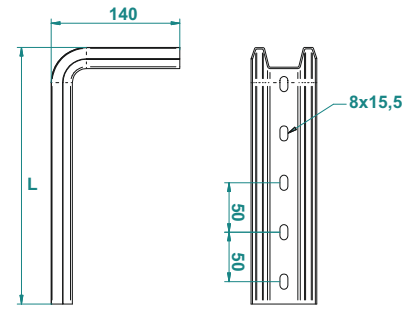
Single-Sided	Maxi Load F (KN)		
	Bracket Width		
L	145	245	345
445	1.5	1.0	0.6
545	1.5	1.0	0.5
645	1.2	0.7	0.4



Double-Sided	Maxi Load F (KN)		
	Bracket Width		
L	145	245	345
445	1.5	1.5	1.2
545	1.5	1.4	1.1
645	1.5	1.2	1.0



DETAIL A



### APPLICATIONS

Cable routing / Standard : IEC 61537

### Available finishes:

Steel, hot-dip galv. to TS-EN ISO 1461:2011 (HDG)  
 PG- Steel, strip-galv. acc. to the Sendzimir method to TS-EN 10346:2011 (PG)  
 SS- stainless steel AISI 304L and AISI 316L (SS)  
 EP- powder coating in a full range of colours (RAL)

Thickn. (ga) [mm]: 2.0

## Omega Profile

Омега Профил - Омега образная профиль



### Pre-Galvanized

CP...					
CODE	Size	Length L mm	kg 1m	pcs 1m	
CP 300 15 PG	60x20	3000	1,14	10	
CP 300 20 PG	60x20	3000	1,52	10	

### Hot-Dip Galvanized

CP...					
CODE	Size	Length L mm	kg 1m	pcs 1m	
CP 300 15 HDG	60x20	3000	1,14	10	
CP 300 20 HDG	60x20	3000	1,52	10	

## Omega Profile ( Universal )

Омега Профил - Омега образная профиль

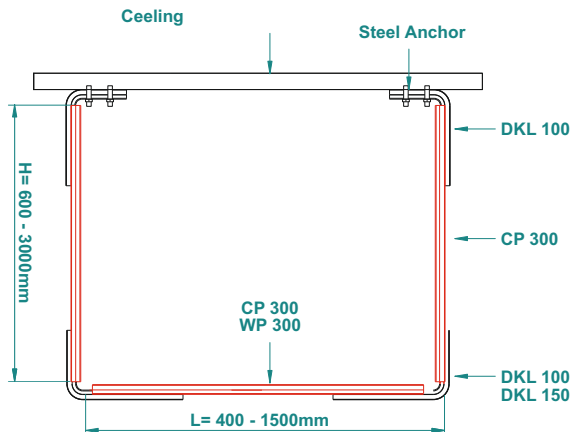


### Pre-Galvanized

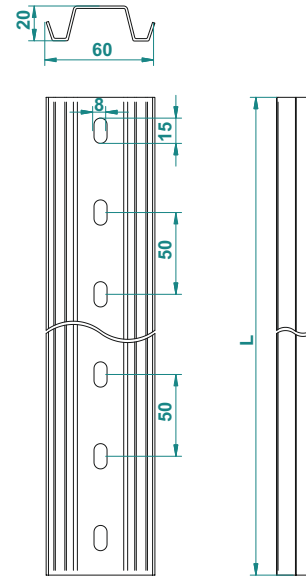
WP...					
CODE	Size	Length L mm	kg 1m	pcs 1m	
WP 300 15 PG	60x20	3000	1,14	2	
WP 300 20 PG	60x20	3000	1,52	2	

### Hot-Dip Galvanized

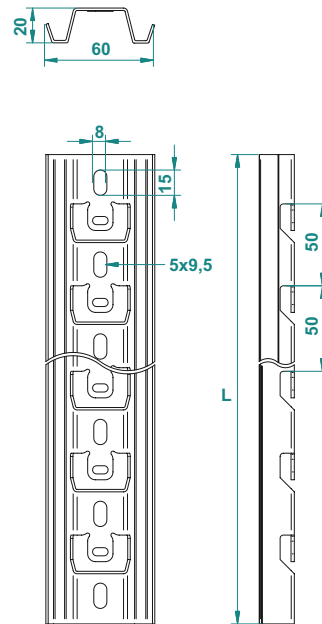
WP...					
CODE	Size	Length L mm	kg 1m	pcs 1m	
WP 300 15 HDG	60x20	3000	1,14	2	
WP 300 20 HDG	60x20	3000	1,52	2	



CP



WP



### APPLICATIONS

Cable routing / Standard : IEC 61537

### Available finishes:

Steel, hot-dip galv. to TS-EN ISO 1461:2011 (HDG)

PG- Steel, strip-galv. acc. to the Sendzimir method to TS-EN 10346:2011 (PG)

SS- stainless steel AISI 304L and AISI 316L (SS)

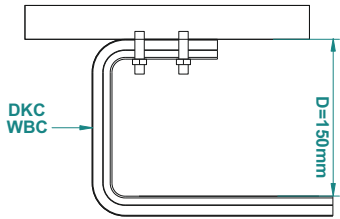
EP- powder coating in a full range of colours (RAL)

Thickn. (ga) [mm]: **1.5 2.0**

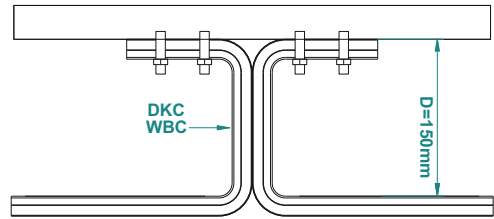
## Mounting

Montaj - монтаж

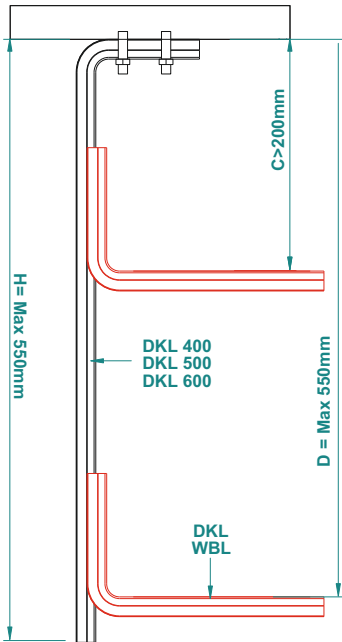
Single Side



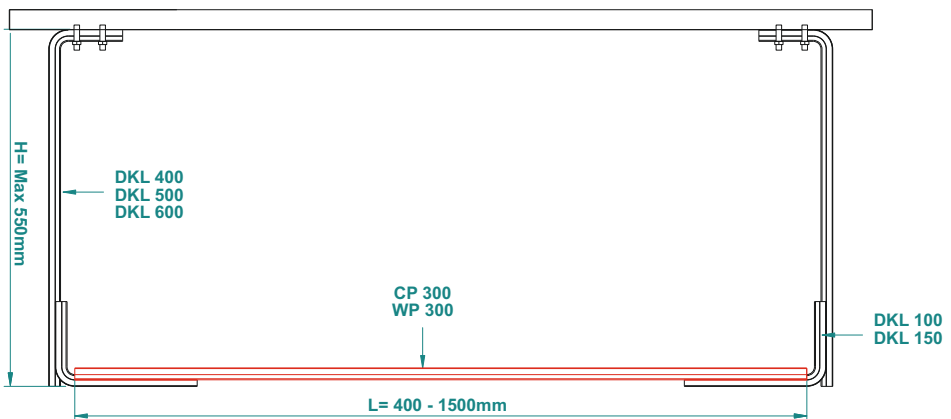
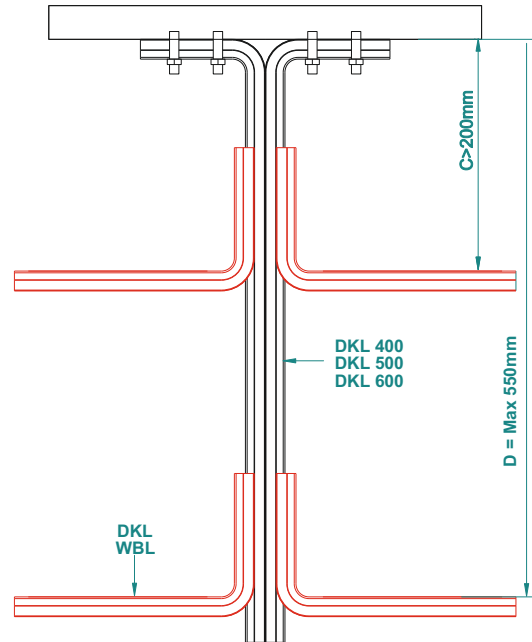
Double Side



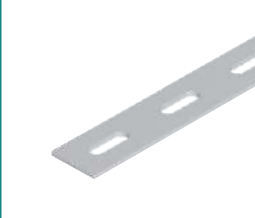



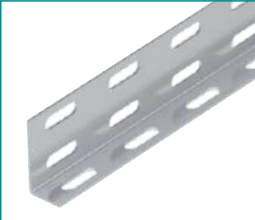



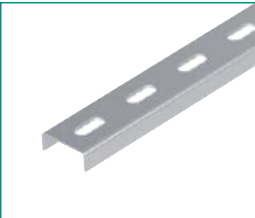

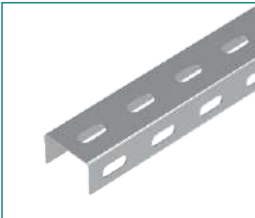
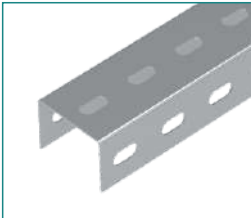
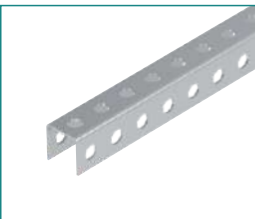
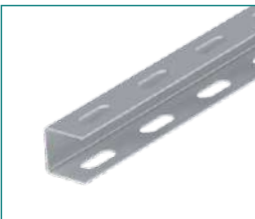


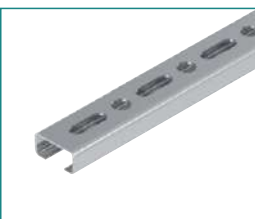
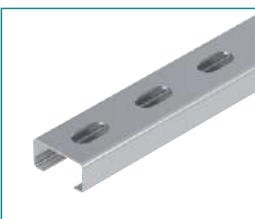
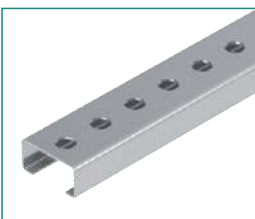
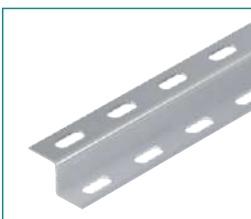

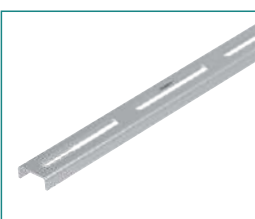

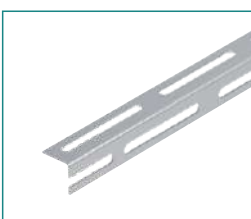
Single Side



Double Side



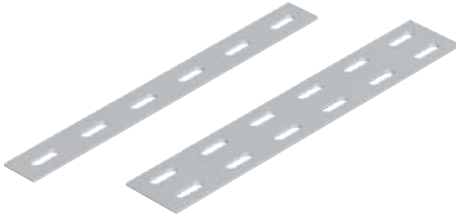
Profiles

 SL 25    Hole: 8,5x25	 L..A    Hole: 8,5x25	 LK..B    Hole: 11x25	 LK..C    Hole: 13x25
 LK..A    Hole: 8,5x25	 L..F - LK..F    Hole: Ø11	 LH..B    Hole: 11x25	 LH..C    Hole: 13x25
 UA    Hole: 8,5x25	 UC..A    Hole: 8,5x25	 UC..B    Hole: 11x25	 UC..C    Hole: 13x25
 UC..F    Hole: Ø11	 UH..B    Hole: 11x25	 UH..C    Hole: 13x25	 OK    Hole: 8X25
 CL..A    Hole: 8x20+Ø11	 CL..C    Hole: 13x25	 CL..F    Hole: Ø11	 Z    Hole: 11x25
 L8    Hole: 8x80	 U8    Hole: 8x80	 Z8    Hole: 8x80	 LP    Hole: 8x80



## Flat Bar

Delikli Düz Lama - Перфорированная лента



### Pre-Galvanized EN 10346

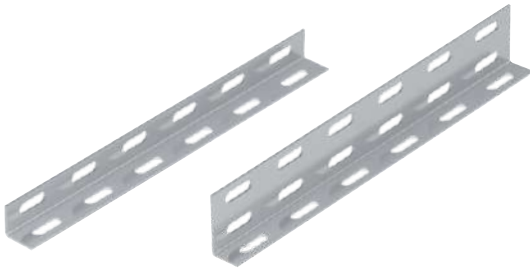
SL	L:2000					
CODE	Width W mm	Thickness T mm	Hole Size mm	KG 1 mt	pcs	
SL 25A 20 PG	25	2,0	8,5x25	0.35	1	
SL 25A 30 PG	25	3,0	8,5x25	0.53	1	
SL 30A 20 PG	30	2,0	8,5x25	0.42	1	
SL 30A 30 PG	30	3,0	8,5x25	0.64	1	
SL 40A 20 PG	40	2,0	8,5x25	0.57	1	
SL 40A 30 PG	40	3,0	8,5x25	0.85	1	
SL 50A 20 PG	50	2,0	8,5x25	0.71	1	
SL 50A 30 PG	50	3,0	8,5x25	1.06	1	
SL 60A 20 PG	60	2,0	8,5x25	0.85	1	
SL 60A 30 PG	60	3,0	8,5x25	1.27	1	

### Hot Dip Galvanized EN ISO 1461

SL	L:2000					
CODE	Width W mm	Thickness T mm	Hole Size mm	KG 1 mt	pcs	
SL 25A 20 HDG	25	2,0	8,5x25	0.39	1	
SL 25A 30 HDG	25	3,0	8,5x25	0.59	1	
SL 30A 20 HDG	30	2,0	8,5x25	0.47	1	
SL 30A 30 HDG	30	3,0	8,5x25	0.71	1	
SL 40A 20 HDG	40	2,0	8,5x25	0.63	1	
SL 40A 30 HDG	40	3,0	8,5x25	0.94	1	
SL 50A 20 HDG	50	2,0	8,5x25	0.79	1	
SL 50A 30 HDG	50	3,0	8,5x25	1.18	1	
SL 60A 20 HDG	60	2,0	8,5x25	0.94	1	
SL 60A 30 HDG	60	3,0	8,5x25	1.41	1	

## L Profile

L Profil - L-образный профиль



### Pre-Galvanized EN 10346

L...A	L:2000					
CODE	Size mm HxW	Thickness T mm	Hole Size mm	KG 1 mt	pcs	
L 25A 15 PG	25x25	1,5	8,5x25	0.53	1	
L 25A 20 PG	25x25	2,0	8,5x25	0.71	1	

LK...B	L3000					
CODE	Size mm HxW	Thickness T mm	Hole Size mm	KG 1 mt	pcs	
LKB 25B 15 PG	25x25	1,5	11x25	0.53	1	
LKB 25B 20 PG	25x25	2,0	11x25	0.71	1	
LKB 30B 15 PG	30x30	1,5	11x25	0.64	1	
LKB 30B 20 PG	30x30	2,0	11x25	0.85	1	
LKB 35B 15 PG	35x35	1,5	11x25	0.74	1	
LKB 35B 20 PG	35x35	2,0	11x25	0.99	1	
LKB 35B 30 PG	35x35	3,0	11x25	1.48	1	

LK...C	L3000					
CODE	Size mm HxW	Thickness T mm	Hole Size mm	KG 1 mt	pcs	
LKC 40C 15 PG	40x40	1,5	13x25	0.85	1	
LKC 40C 20 PG	40x40	2,0	13x25	1.13	1	
LKC 40C 30 PG	40x40	3,0	13x25	1.70	1	
LKC 50C 20 PG	50x50	2,0	13x25	1.41	1	
LKC 50C 30 PG	50x50	3,0	13x25	2.12	1	
LKC 50C 40 PG	50x50	4,0	13x25	2.83	1	

LK...A	L3000					
CODE	Size mm HxW	Thickness T mm	Hole Size mm	KG 1 mt	pcs	
LK 52A 20 PG	50x25	1,5	8,5x25	0.79	1	
LK 52A 30 PG	50x25	2,0	8,5x25	1.06	1	
LK 52A 40 PG	50x25	2,5	8,5x25	1.32	1	

### Hot Dip Galvanized EN ISO 1461

L...A	L:2000					
CODE	Size mm HxW	Thickness T mm	Hole Size mm	KG 1 mt	pcs	
L 25A 15 HDG	25x25	1,5	8,5x25	0.59	1	
L 25A 20 HDG	25x25	2,0	8,5x25	0.79	1	

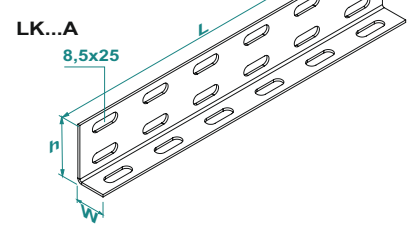
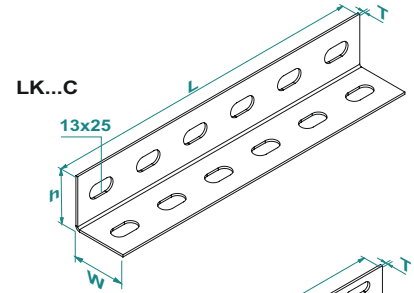
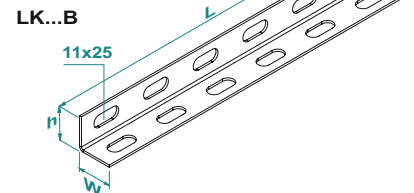
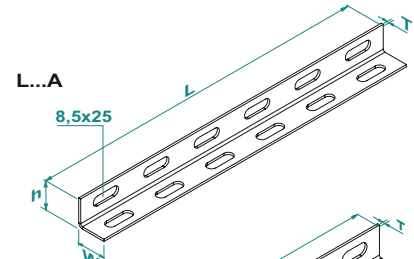
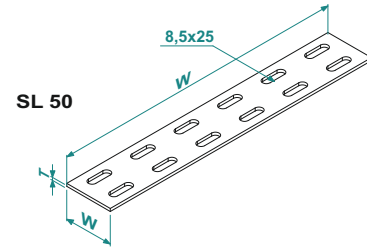
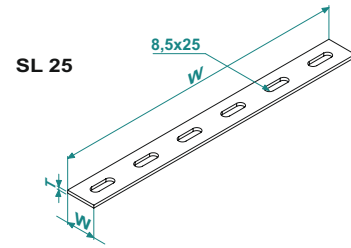
LK...B	L3000					
CODE	Size mm HxW	Thickness T mm	Hole Size mm	KG 1 mt	pcs	
LKB 25B 15 HDG	25x25	1,5	11x25	0.59	1	
LKB 25B 20 HDG	25x25	2,0	11x25	0.79	1	
LKB 30B 15 HDG	30x30	1,5	11x25	0.71	1	
LKB 30B 20 HDG	30x30	2,0	11x25	0.94	1	
LKB 35B 15 HDG	35x35	1,5	11x25	0.82	1	
LKB 35B 20 HDG	35x35	2,0	11x25	1.10	1	
LKB 35B 30 HDG	35x35	3,0	11x25	1.65	1	

LK...C	L3000					
CODE	Size mm HxW	Thickness T mm	Hole Size mm	KG 1 mt	pcs	
LKC 40C 15 HDG	40x40	1,5	13x25	0.94	1	
LKC 40C 20 HDG	40x40	2,0	13x25	1.26	1	
LKC 40C 30 HDG	40x40	3,0	13x25	1.88	1	
LKC 50C 20 HDG	50x50	2,0	13x25	1.57	1	
LKC 50C 30 HDG	50x50	3,0	13x25	2.36	1	
LKC 50C 40 HDG	50x50	4,0	13x25	3.14	1	

LK...A	L3000					
CODE	Size mm HxW	Thickness T mm	Hole Size mm	KG 1 mt	pcs	
LK 52A 20 HDG	50x25	1,5	8,5x25	0.88	1	
LK 52A 30 HDG	50x25	2,0	8,5x25	1.18	1	
LK 52A 40 HDG	50x25	2,5	8,5x25	1.47	1	



### MATERIAL

Steel, strip-galv. acc. to the Sendzimir method to TS-EN 10346:2011 (PG)

HDG-steel, hot-dip galv. to TS-EN ISO 1461:2011 (HDG)

Available Finishes:

SS-Stainless steel AISI 304L and AISI 316L (SS)  
EP-Powder coating in a full range of colours (RAL)

Thickn. (ga) [mm]: 1.5 2.0 2.5 3.0



## L Profile

L Profil - L-образный профиль



Pre-Galvanized EN 10346

L...F		L:2000				
CODE	Size mm HxW	Thickness T mm	Hole Size mm	KG 1mt	pcs	
L 30F 15 PG	30x30	1,5	Ø11	0.64	1	
L 30F 20 PG	30x30	2,0	Ø11	0.85	1	

LK...F		L:3000				
CODE	Size mm HxW	Thickness T mm	Hole Size mm	KG 1mt	pcs	
LK 30F 15 PG	30x30	1,5	Ø11	0.64	1	
LK 30F 20 PG	30x30	2,0	Ø11	0.85	1	

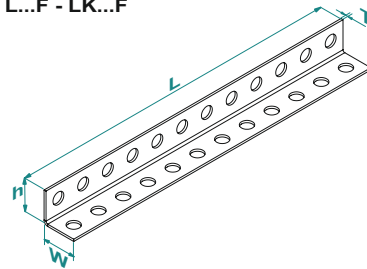
Hot Dip Galvanized EN ISO 1461

L...F		L:2000				
CODE	Size mm HxW	Thickness T mm	Hole Size mm	KG 1mt	pcs	
L 30F 15 HDG	30x30	1,5	Ø11	0.71	1	
L 30F 20 HDG	30x30	2,0	Ø11	0.94	1	

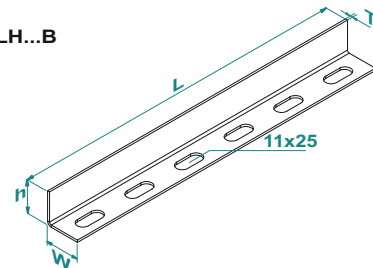
  

LK...F		L:3000				
CODE	Size mm HxW	Thickness T mm	Hole Size mm	KG 1mt	pcs	
L 30F 15 HDG	30x30	1,5	Ø11	0.71	1	
L 30F 20 HDG	30x30	2,0	Ø11	0.94	1	

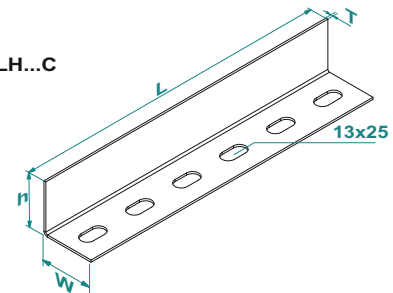
L...F - LK...F



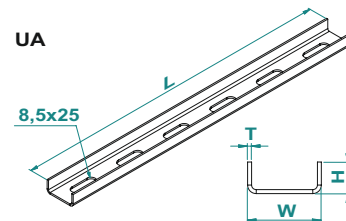
LH...B



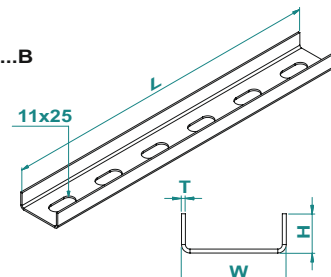
LH...C



UA



UA...B



## L Profile

L Tipi Destek Profili - L-образный профиль



Pre-Galvanized EN 10346

LH...B		L:2000				
CODE	Size mm HxW	Thickness T mm	Hole Size mm	KG 1mt	pcs	
LH 25B 20 PG	25x25	2,0	11x25	0.71	1	
LH 30B 20 PG	30x30	2,0	11x25	0.85	1	
LH 30B 30 PG	30x30	3,0	11x25	1.27	1	

LH...C		L:2000				
CODE	Size mm HxW	Thickness T mm	Hole Size mm	KG 1mt	pcs	
LH 40C 30 PG	40x40	3,0	13x25	1.70	1	
LH 40C 40 PG	40x40	4,0	13x25	2.26	1	
LH 50C 30 PG	50x50	3,0	13x25	2.12	1	
LH 50C 40 PG	50x50	4,0	13x25	2.83	1	
LH 50C 50 EG	50x50	5,0	13x25	3.53	1	

Hot Dip Galvanized EN ISO 1461

LH...B		L:2000				
CODE	Size mm HxW	Thickness T mm	Hole Size mm	KG 1mt	pcs	
LH 25B 20 HDG	25x25	2,0	11x25	0.79	1	
LH 30B 20 HDG	30x30	2,0	11x25	0.94	1	
LH 30B 30 HDG	30x30	3,0	11x25	1.41	1	

LH...C		L:2000				
CODE	Size mm HxW	Thickness T mm	Hole Size mm	KG 1mt	pcs	
LH 40C 30 HDG	40x40	3,0	13x25	1.88	1	
LH 40C 40 HDG	40x40	4,0	13x25	2.51	1	
LH 50C 30 HDG	50x50	3,0	13x25	2.36	1	
LH 50C 40 HDG	50x50	4,0	13x25	3.14	1	
LH 50C 50 HDG	50x50	5,0	13x25	3.93	1	

## U Profile

U Profil - U-образный профиль



Pre-Galvanized EN 10346

UA		L:1000				
CODE	Size mm HxW	Thickness T mm	Hole Size mm	KG 1mt	pcs	
UA 2812A.10 12 PG	12x28	1,2	8,5x25	0.43	1	

UA		L:2000				
CODE	Size mm HxW	Thickness T mm	Hole Size mm	KG 1mt	pcs	
UA 2812A 12 PG	12x28	1,2	8,5x25	0.43	1	

UA...B		L:2000				
CODE	Size mm HxW	Thickness T mm	Hole Size mm	KG 1mt	pcs	
UA 4015B 15 PG	15x40	1,5	11x25	0.74	1	
UA 4015B 20 PG	15x40	2,0	11x25	0.99	1	
UA 4020B 20 PG	15x40	2,0	11x25	0.99	1	

UA...F		L:2000				
CODE	Size mm HxW	Thickness T mm	Hole Size mm	KG 1mt	pcs	
UA 3515F 15 PG	15x35	1,5	Ø11	0.69	1	

Hot Dip Galvanized EN ISO 1461

UA		L:1000				
CODE	Size mm HxW	Thickness T mm	Hole Size mm	KG 1mt	pcs	
UA 2812A.10 12 HDG	12x28	1,2	8,5x25	0.48	1	

UA		L:2000				
CODE	Size mm HxW	Thickness T mm	Hole Size mm	KG 1mt	pcs	
UA 2812A 12 HDG	12x28	1,2	8,5x25	0.48	1	

UA...B		L:2000				
CODE	Size mm HxW	Thickness T mm	Hole Size mm	KG 1mt	pcs	
UA 4015B 15 HDG	15x40	1,5	11x25	0.82	1	
UA 4015B 20 HDG	15x40	2,0	11x25	1.10	1	
UA 4020B 20 HDG	15x40	2,0	11x25	1.10	1	

UA...F		L:2000				
CODE	Size mm HxW	Thickness T mm	Hole Size mm	KG 1mt	pcs	
UA 3515F 15 HDG	15x35	1,5	Ø11	0.77	1	

### MATERIAL

Steel, strip-galv. acc. to the sendzimir method to TS-EN 10346:2011 (PG)

HDG-Steel, hot-dip galv. to TS-EN ISO 1461:2011 (HDG)

Available finishes:

SS - Stainless steel AISI 304L and aisi 316L (SS)  
EP- powder coating in a full range of colours (RAL)

Thickn. (ga) [mm]: 1.5 2.0 2.5 3.0

# Profiles



## U Profile

U Profil - U-образный профиль



### Pre-Galvanized EN 10346

UC...A		L:2000				
CODE	Size mm HxW	Thickness T mm	Hole Size mm	KG 1mt	pcs	
UC 2525A 15 PG	25x25	1,5	8,5x25	0,79	1	
UC 2525A 20 PG	25x25	2,0	8,5x25	1,06	1	
UC...B		L:3000				
UC 4030B 15 PG	30x40	1,5	11x25	1,06	1	
UC 4030B 20 PG	30x40	2,0	11x25	1,41	1	
UC 4335B 20 PG	35x43	2,0	11x25	1,60	1	
UC 4335B 25 PG	35x43	2,5	11x25	2,00	1	
UC...C		L:3000				
UC 5040C 20 PG	40x50	2,0	13x25	1,84	1	
UC 5040C 30 PG	40x50	3,0	13x25	2,76	1	
UC 6040C 25 PG	40x60	2,5	13x25	2,47	1	
UC 6040C 30 PG	40x60	3,0	13x25	2,97	1	
UC 7050C 30 PG	50x70	3,0	13x25	3,60	1	
UC 7050C 40 PG	50x70	4,0	13x25	4,80	1	

### Hot Dip Galvanized EN ISO 1461

UC...A		L:2000				
CODE	Size mm HxW	Thickness T mm	Hole Size mm	KG 1mt	pcs	
UC 2525A 15 HDG	25x25	1,5	8,5x25	0,88	1	
UC 2525A 20 HDG	25x25	2,0	8,5x25	1,18	1	
UC...B		L:3000				
UC 4030B 15 HDG	30x40	1,5	11x25	1,18	1	
UC 4030B 20 HDG	30x40	2,0	11x25	1,57	1	
UC 4335B 20 HDG	35x43	2,0	11x25	1,77	1	
UC 4335B 25 HDG	35x43	2,5	11x25	2,22	1	
UC...C		L:3000				
UC 5040C 20 HDG	40x50	2,0	13x25	2,04	1	
UC 5040C 30 HDG	40x50	3,0	13x25	3,06	1	
UC 6040C 25 HDG	40x60	2,5	13x25	2,75	1	
UC 6040C 30 HDG	40x60	3,0	13x25	3,30	1	
UC 7050C 30 HDG	50x70	3,0	13x25	4,00	1	
UC 7050C 40 HDG	50x70	4,0	13x25	5,34	1	

## U Profile

U Profil - U-образный профиль



### Pre-Galvanized EN 10346

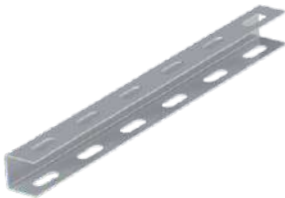
UC...F		L:3000				
CODE	Size mm HxW	Thickness T mm	Hole Size mm	KG 1mt	pcs	
UC 3030F 20 PG	30x30	2,0	Ø11	1,27	1	
UC 3030F 25 PG	30x30	2,5	Ø11	1,59	1	
UC 3030F 30 PG	30x30	3,0	Ø11	1,91	1	
UC...E		L:3000				
UC 4040E 20 PG	40x40	2,0	Ø13	1,70	1	
UC 4040E 25 PG	40x40	2,5	Ø13	2,12	1	
UC 4040E 30 PG	40x40	3,0	Ø13	2,54	1	
UC 4040E 40 PG	40x40	4,0	Ø13	3,39	1	
UC 6040E 25 PG	40x60	2,5	Ø13	2,47	1	
UC 6040E 30 PG	40x60	3,0	Ø13	2,97	1	
UC 6040E 40 PG	40x60	4,0	Ø13	3,96	1	

### Hot Dip Galvanized EN ISO 1461

UC...F		L:3000				
CODE	Size mm HxW	Thickness T mm	Hole Size mm	KG 1mt	pcs	
UC 3030F 20 HDG	30x30	2,0	Ø11	1,41	1	
UC 3030F 25 HDG	30x30	2,5	Ø11	1,77	1	
UC 3030F 30 HDG	30x30	3,0	Ø11	2,12	1	
UC...E		L:3000				
UC 4040E 20 HDG	40x40	2,0	Ø13	1,88	1	
UC 4040E 25 HDG	40x40	2,5	Ø13	2,36	1	
UC 4040E 30 HDG	40x40	3,0	Ø13	2,83	1	
UC 4040E 40 HDG	40x40	4,0	Ø13	3,77	1	
UC 6040E 25 HDG	40x60	2,5	Ø13	2,75	1	
UC 6040E 30 HDG	40x60	3,0	Ø13	3,30	1	
UC 6040E 40 HDG	40x60	4,0	Ø13	4,40	1	

## U Profile

U Profil - U-образный профиль



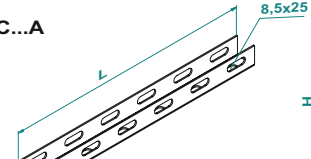
### EG:Electro-Galvanized / PG:Pregalvanized

UH...B		L:2000				
CODE	Size mm HxW	Thickness T mm	Hole Size mm	KG 1mt	pcs	
UH 3023B 20 PG	23x30	2,0	11x25	1,07	1	
UH 3030B 30 PG	30x30	3,0	11x25	1,91	1	
UH...C		L:2000				
UH 4040C 30 EG	40x40	3,0	13x25	2,54	1	
UH 4040C 40 EG	40x40	4,0	13x25	3,39	1	
UH 5050C 30 EG	50x50	3,0	13x25	3,18	1	
UH 5050C 40 EG	50x50	4,0	13x25	4,24	1	

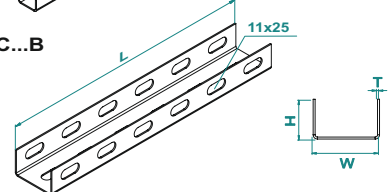
### Hot Dip Galvanized EN ISO 1461

UH...B		L:2000				
CODE	Size mm HxW	Thickness T mm	Hole Size mm	KG 1mt	pcs	
UC 3023B 20 HDG	23x30	2,0	11x25	1,19	1	
UC 3030B 30 HDG	30x30	3,0	11x25	2,12	1	
UH...C		L:2000				
UC 4040C 30 HDG	40x40	3,0	13x25	2,83	1	
UC 4040C 40 HDG	40x40	4,0	13x25	3,77	1	
UC 5050C 30 HDG	50x50	3,0	13x25	3,53	1	
UC 5050C 40 HDG	50x50	4,0	13x25	4,71	1	

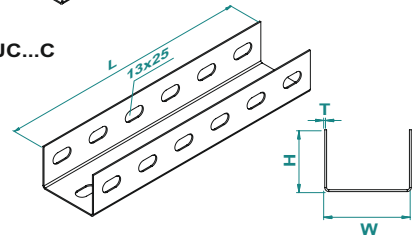
UC...A



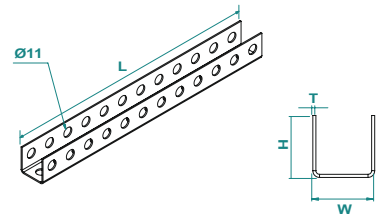
UC...B



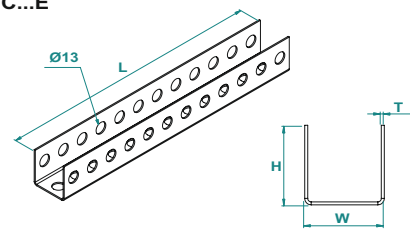
UC...C



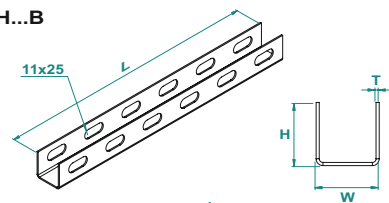
UC...F



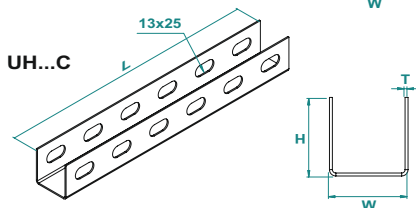
UC...E



UH...B



UH...C



## MATERIAL

Steel, strip-galv. acc. to the sendzimir method to TS-EN 10346:2011 (PG)

HDG-Steel, hot-dip galv. to TS-EN ISO 1461:2011 (HDG)

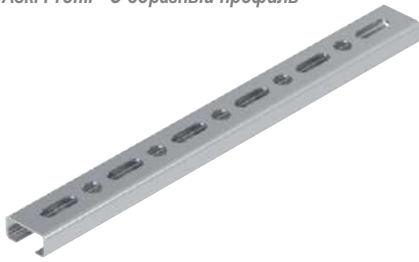
Available finishes:

SS - Stainless steel AISI 304L and aisi 316L (SS)  
EP- powder coating in a full range of colours (RAL)

Thickn. (ga) [mm]: 1.5 2.0 2.5 3.0

## Hanging C Rail

Askı Profili - C-образный профиль



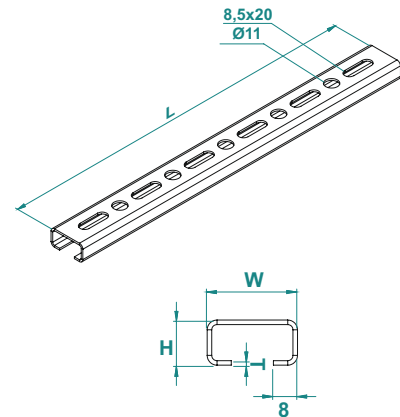
Pre-Galvanized EN 10346

CL...A		L:2000			
CODE	Size mm HxW	Thickness T mm	Hole Size mm	Kg 1mt	pcs
CL 2715A 10 PG	15x27	1,0	8,5x20	0.49	1
CL 2715A 12 PG	15x27	1,2	8,5x20	0.58	1
CL 2718A 10 PG	18x27	1,0	8,5x20	0.53	1
CL 2718A 12 PG	18x27	1,2	8,5x20	0.63	1
CL 3015A 12 PG	15x30	1,2	8,5x20	0.60	1
CL 3015A 15 PG	15x30	1,5	8,5x20	0.74	1
CL 3020A 15 PG	20x30	1,5	8,5x20	0.85	1
CL 3028A 15 PG	28x30	1,5	8,5x20	1.02	1

Hot Dip Galvanized EN ISO 1461

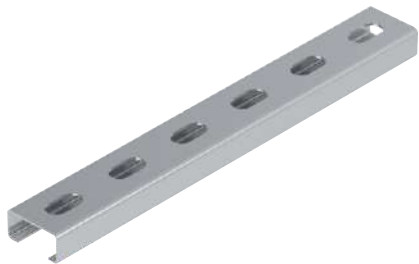
CL...A		L:2000			
CODE	Size mm HxW	Thickness T mm	Hole Size mm	Kg 1mt	pcs
CL 2715A 10 HDG	15x27	1,0	8,5x20	0.54	1
CL 2715A 12 HDG	15x27	1,2	8,5x20	0.64	1
CL 2718A 10 HDG	18x27	1,0	8,5x20	0.59	1
CL 2718A 12 HDG	18x27	1,2	8,5x20	0.70	1
CL 3015A 12 HDG	15x30	1,2	8,5x20	0.67	1
CL 3015A 15 HDG	15x30	1,5	8,5x20	0.82	1
CL 3020A 15 HDG	20x30	1,5	8,5x20	0.94	1
CL 3028A 15 HDG	28x30	1,5	8,5x20	1.13	1

CL...A



## Hanging C Rail

Askı Profili - C-образный профиль



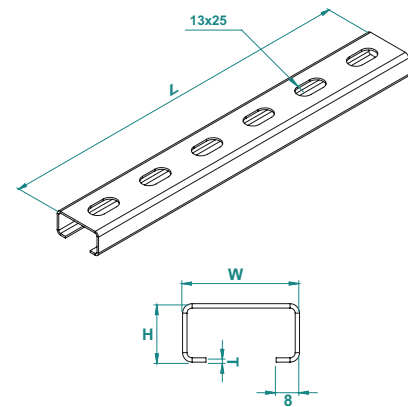
Pre-Galvanized EN 10346

CL...C		L:3000			
CODE	Size mm HxW	Thickness T mm	Hole Size mm	Kg 1mt	pcs
CL 4020C 15 PG	20x40	1,5	13x25	1.00	1
CL 4020C 20 PG	20x40	2,0	13x25	1.30	1
CL 4038C 15 PG	38x40	1,5	13x25	1.38	1
CL 4038C 20 PG	38x40	2,0	13x25	1.81	1
CL 5040C 20 PG	40x50	2,0	13x25	2.01	1
CL 6040C 20 PG	40x60	2,0	13x25	2.15	1

Hot Dip Galvanized EN ISO 1461

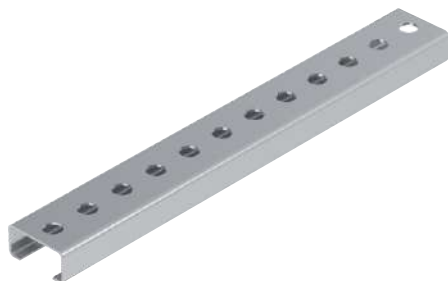
CL...C		L:3000			
CODE	Size mm HxW	Thickness T mm	Hole Size mm	Kg 1mt	pcs
CL 4020C 15 HDG	20x40	1,5	13x25	1.11	1
CL 4020C 20 HDG	20x40	2,0	13x25	1.44	1
CL 4038C 15 HDG	38x40	1,5	13x25	1.53	1
CL 4038C 20 HDG	38x40	2,0	13x25	2.01	1
CL 5040C 20 HDG	40x50	2,0	13x25	2.23	1
CL 6040C 20 HDG	40x60	2,0	13x25	2.39	1

CL...C



## Hanging C Rail

Askı Profili - C-образный профиль



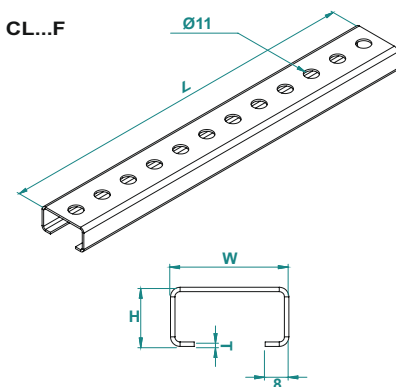
Pre-Galvanized EN 10346

CL...F		L:3000			
CODE	Size mm HxW	Thickness T mm	Hole Size mm	Kg 1mt	pcs
CL 4020F 12 PG	20x40	1,2	Ø11	0.81	1
CL 4020F 15 PG	20x40	1,5	Ø11	1.00	1
CL 4020F 20 PG	20x40	2,0	Ø11	1.30	1

Hot Dip Galvanized EN ISO 1461

CL...F		L:3000			
CODE	Size mm HxW	Thickness T mm	Hole Size mm	Kg 1mt	pcs
CL 4020F 12 HDG	20x40	1,2	Ø11	0.90	1
CL 4020F 15 HDG	20x40	1,5	Ø11	1.11	1
CL 4020F 20 HDG	20x40	2,0	Ø11	1.44	1

CL...F



### MATERIAL

Steel, strip-galv. acc. to the sendzimir method to TS-EN 10346:2011 (PG)

HDG-Steel, hot-dip galv. to TS-EN ISO 1461:2011 (HDG)

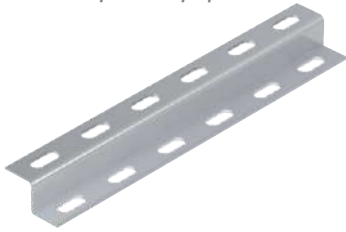
Available finishes:

SS - Stainless steel AISI 304L and aisi 316L (SS)  
EP- powder coating in a full range of colours (RAL)

Thickn. (ga) [mm]: 1.5 2.0 2.5 3.0

## Z Profile

Z Profil - Z-образный профиль

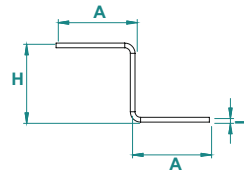
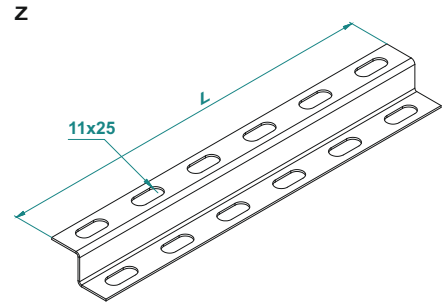


Pre-Galvanized EN 10346

Z		L:2000				
CODE	Size mm AxHxA	Thickness T mm	Hole Size mm	KG 1mt	pcs	
Z 222 15 PG	25x25x25	1,5	11x25	0.79	1	
Z 222 20 PG	25x25x25	2,0	11x25	1.06	1	
Z 242 15 PG	25x25x25	1,5	11x25	0.95	1	
Z 333 20 PG	25x25x25	2,0	11x25	1.27	1	
Z 343 20 PG	25x25x25	2,0	11x25	1.41	1	

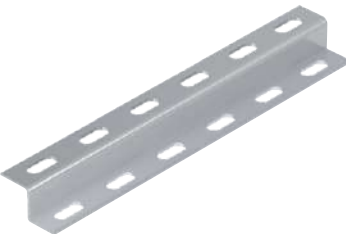
Hot Dip Galvanized EN ISO 1461

Z		L:2000				
CODE	Size mm AxHxA	Thickness T mm	Hole Size mm	KG 1mt	pcs	
Z 222 15 HDG	25x25x25	1,5	11x25	0.88	1	
Z 222 20 HDG	25x25x25	2,0	11x25	1.18	1	
Z 242 15 HDG	25x25x25	1,5	11x25	1.06	1	
Z 333 20 HDG	25x25x25	2,0	11x25	1.41	1	
Z 343 20 HDG	25x25x25	2,0	11x25	1.57	1	



## Z Profile

Z Tipi Destek Profili - Z-образный профиль

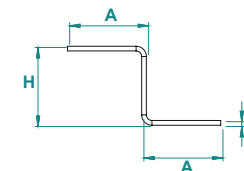
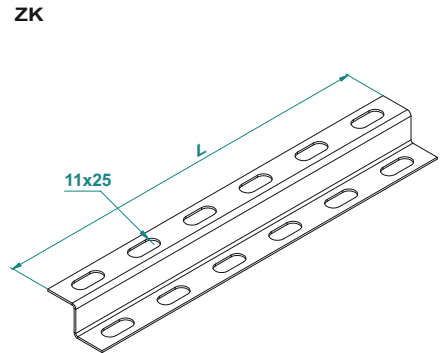


Pre-Galvanized EN 10346

ZK		L:3000				
CODE	Size mm AxHxA	Thickness T mm	Hole Size mm	KG 1mt	pcs	
ZK 222 12 PG	25x25x25	1,2	11x25	0.64	1	
ZK 222 15 PG	25x25x25	1,5	11x25	0.79	1	
ZK 222 20 PG	25x25x25	2,0	11x25	1.06	1	
ZK 242 15 PG	25x40x25	1,5	11x25	0.95	1	
ZK 242 20 PG	25x40x25	2,0	11x25	1.27	1	
ZK 252 15 PG	25x50x25	1,5	11x25	1.06	1	
ZK 252 20 PG	25x50x25	2,0	11x25	1.41	1	
ZK 333 20 PG	30x30x30	2,0	11x25	1.27	1	
ZK 343 20 PG	30x40x30	2,0	11x25	1.41	1	
ZK 424 20 PG	40x25x40	2,0	11x25	1.48	1	
ZK 424 30 PG	40x25x40	3,0	11x25	2.23	1	
ZK 444 20 PG	40x40x40	2,0	11x25	1.70	1	
ZK 444 30 PG	40x40x40	3,0	11x25	2.54	1	
ZK 464 20 PG	40x60x40	2,0	11x25	1.98	1	
ZK 464 30 PG	40x60x40	3,0	11x25	2.97	1	
ZK 464 40 PG	40x60x40	4,0	11x25	3.96	1	
ZK 555 20 PG	50x50x50	2,0	11x25	2.12	1	
ZK 555 30 PG	50x50x50	3,0	11x25	3.18	1	
ZK 555 40 PG	50x50x50	4,0	11x25	4.24	1	

Hot Dip Galvanized EN ISO 1461

ZK		L:3000				
CODE	Size mm AxHxA	Thickness T mm	Hole Size mm	KG 1mt	pcs	
ZK 222 12 HDG	25x25x25	1,2	11x25	0.71	1	
ZK 222 15 HDG	25x25x25	1,5	11x25	0.88	1	
ZK 222 20 HDG	25x25x25	2,0	11x25	1.18	1	
ZK 242 15 HDG	25x40x25	1,5	11x25	1.06	1	
ZK 242 20 HDG	25x40x25	2,0	11x25	1.41	1	
ZK 252 15 HDG	25x50x25	1,5	11x25	1.18	1	
ZK 252 20 HDG	25x50x25	2,0	11x25	1.57	1	
ZK 333 20 HDG	30x30x30	2,0	11x25	1.41	1	
ZK 343 20 HDG	30x40x30	2,0	11x25	1.57	1	
ZK 424 20 HDG	40x25x40	2,0	11x25	1.65	1	
ZK 424 30 HDG	40x25x40	3,0	11x25	2.47	1	
ZK 444 20 HDG	40x40x40	2,0	11x25	1.88	1	
ZK 444 30 HDG	40x40x40	3,0	11x25	2.83	1	
ZK 464 20 HDG	40x60x40	2,0	11x25	2.20	1	
ZK 464 30 HDG	40x60x40	3,0	11x25	3.30	1	
ZK 464 40 HDG	40x60x40	4,0	11x25	4.40	1	
ZK 555 20 HDG	50x50x50	2,0	11x25	2.36	1	
ZK 555 30 HDG	50x50x50	3,0	11x25	3.53	1	
ZK 555 40 HDG	50x50x50	4,0	11x25	4.71	1	



## Ω Profile

Ω Tipi Destek Profili - Ω-образный профиль

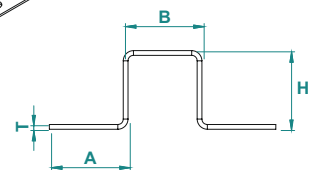
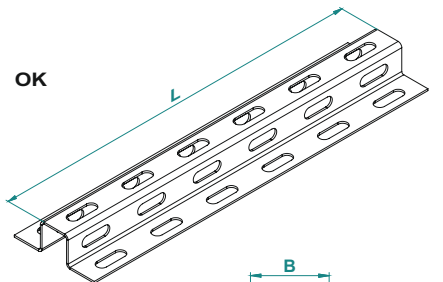


Pre-Galvanized EN 10346

OK		L:3000				
CODE	Size mm AxHxB	Thickness T mm	Hole Size mm	KG 1mt	pcs	
OK 222 20 PG	25x25x25	2,0	8x25	1.76	1	
OK 225 20 PG	25x25x25	2,0	8x25	2.12	1	
OK 255 20 PG	25x25x25	2,0	8x25	2.83	1	

Hot Dip Galvanized EN ISO 1461

OK		L:3000				
CODE	Size mm AxHxB	Thickness T mm	Hole Size mm	KG 1mt	pcs	
OK 222 20 HDG	25x25x25	2,0	8x25	1.76	1	
OK 225 20 HDG	25x25x25	2,0	8x25	2.12	1	
OK 255 20 HDG	25x25x25	2,0	8x25	2.83	1	



### MATERIAL

PG- Sendzimir Method to TS-EN 10346:2011  
HDG-Steel, hot-dip galv. to TS-EN ISO 1461:2011 (HDG)

Available finishes:

SS - Stainless steel AISI 304L and aisi 316L (SS)  
EP- powder coating in a full range of colours (RAL)

Thickn. (ga) [mm]: 1.5 2.0 2.5 3.0

## L Profile

L Profil - L-образный профиль



Pre-Galvanized EN 10346

L8		L:2000				
CODE	Size mm HxW	Thickness T mm	Hole Size mm	KG 1mt	pcs	
L8 2525 20 PG	25x25	2,0	8x80	0.71	1	
L8 3030 30 PG	30x30	3,0	8x80	1.34	1	
L8 4040 30 PG	40x40	3,0	8x80	1.74	1	

Electro-Galvanised

L8		L:2000				
CODE	Size mm HxW	Thickness T mm	Hole Size mm	KG 1mt	pcs	
L8 2525 20 EG	25x25	2,0	8x80	0.71	1	
L8 3030 30 EG	30x30	3,0	8x80	1.34	1	
L8 4040 30 EG	40x40	3,0	8x80	1.74	1	

## U Profile

U Profil - U-образный профиль



Pre-Galvanized EN 10346

U8		L:2000				
CODE	Size mm HxW	Thickness T mm	Hole Size mm	KG 1mt	pcs	
U8 2510 20 PG	10x25	2,0	8x80	0.71	1	
U8 4012 20 PG	12x40	2,0	8x80	0.94	1	

Electro-Galvanised

U8		L:2000				
CODE	Size mm HxW	Thickness T mm	Hole Size mm	KG 1mt	pcs	
U8 2510 20 EG	10x25	2,0	8x80	0.71	1	
U8 4012 20 EG	12x40	2,0	8x80	0.94	1	

## Z Profile

Z Profil - Z-образный профиль



Pre-Galvanized EN 10346

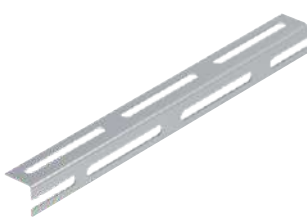
Z8		L:2000				
CODE	Size mm AxHxA	Thickness T mm	Hole Size mm	KG 1mt	pcs	
Z8 222 20 PG	25x25x25	2,0	8x80	1.05	1	
Z8 333 30 PG	30x30x30	3,0	8x80	1.84	1	
Z8 444 30 PG	40x40x40	3,0	8x80	2.54	1	
Z8 555 30 PG	50x50x50	3,0	8x80	3.53	2	

Electro-Galvanised

Z8		L:2000				
CODE	Size mm AxHxA	Thickness T mm	Hole Size mm	KG 1mt	pcs	
Z8 222 20 EG	25x25x25	2,0	8x80	1.05	1	
Z8 333 30 EG	30x30x30	3,0	8x80	1.84	1	
Z8 444 30 EG	40x40x40	3,0	8x80	2.54	1	
Z8 555 30 EG	50x50x50	3,0	8x80	3.53	2	

## L Profile

L Profil - L-образный профиль



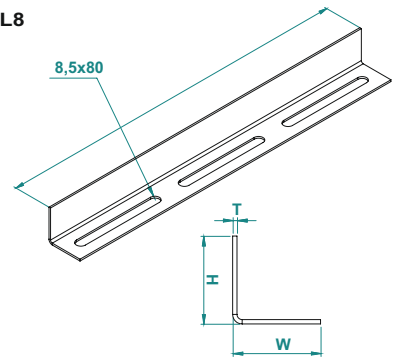
Pre-Galvanized EN 10346

LP		L:2000				
CODE	Size mm H x W	Thickness T mm	Hole Size mm	KG 1mt	pcs	
LP 2525 20 PG	25x25	2,0	8x80	0.71	1	

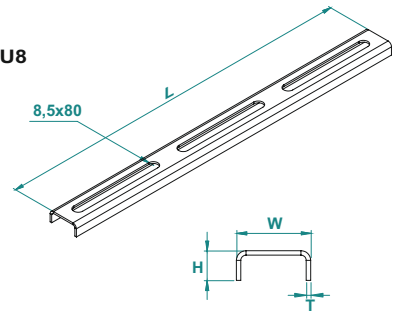
Pre-Galvanized EN 10346

LPO		L:2000				
CODE	Size mm H x W	Thickness T mm	Hole Size mm	KG 1mt	pcs	
LPO 2525 20 PG	25x25	2,0	8x37-Ø6	0.71	1	

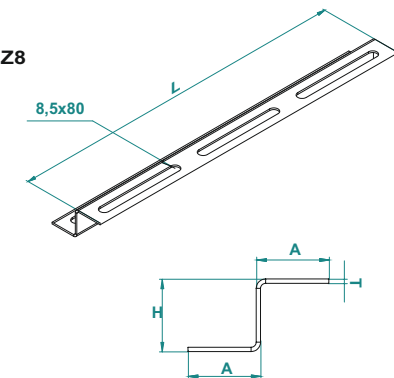
L8



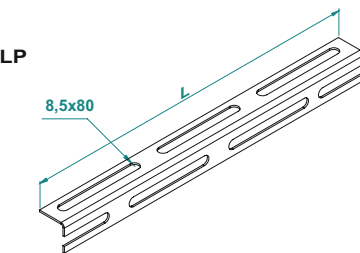
U8



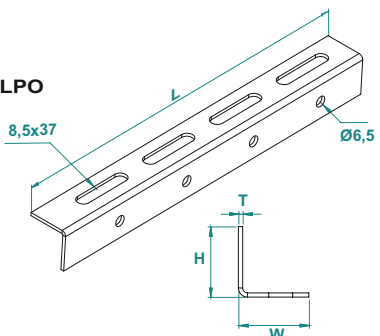
Z8



LP



LPO



### MATERIAL

PG- Sendzmir Method to TS-EN 10346:2011

EG- Electro-Galvanised EN ISO 2081

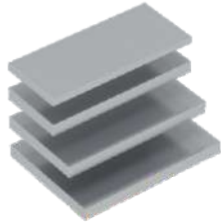
Thickn. (ga) [mm]: 1.5 2.0 2.5 3.0

# Profiles



## Steel Bars

Silme Demir - Полоса стальная



Hot-Dip Galvanised

SD		L:3000		HDG	
CODE	Thickness T mm	Width W mm	kg 1 mt	pcs	
a	SD 30x3 HDG	3,0	30	0,71	10
b	SD 30x5 HDG	5,0	30	1,18	10
c	SD 40x5 HDG	5,0	40	1,57	10
d	SD 50x5 HDG	5,0	50	1,96	10

Hot-Dip Galvanised

SD		L:6000		HDG	
CODE	Thickness T mm	Width W mm	kg 1 mt	pcs	
	SD 30x3.60 HDG	3,0	30	0,71	10
	SD 30x5.60 HDG	5,0	30	1,18	10
	SD 40x5.60 HDG	5,0	40	1,57	10
	SD 50x5.60 HDG	5,0	50	1,96	10

## Non Perforated Angle Profiles

Köşebent Demir (Deliksiz) - Уголок стальной



Hot-Dip Galvanised

LD		L:3000		HDG	
CODE	Thickness T mm	Size mm	kg 1 mt	pcs	
	LD 25x25x3 HDG	3,0	25x25	1,12	10
	LD 30x30x3 HDG	3,0	30x30	1,40	10
	LD 30x30x4 HDG	4,0	30x30	1,78	10
	LD 40x40x4 HDG	4,0	40x40	2,42	10
	LD 50x50x5 HDG	5,0	50x50	3,77	10

Hot-Dip Galvanised

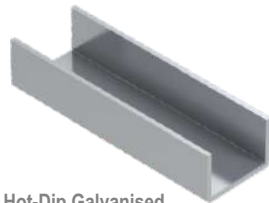
LD		L:6000		HDG	
CODE	Thickness T mm	Size mm	kg 1 mt	pcs	
	LD 25x25x3.60 HDG	3,0	25x25	1,12	10
	LD 30x30x3.60 HDG	3,0	30x30	1,40	10
	LD 30x30x4.60 HDG	4,0	30x30	1,78	10
	LD 40x40x4.60 HDG	4,0	40x40	2,42	10
	LD 50x50x5.60 HDG	5,0	50x50	3,77	10

LD...D		L:3000		HDG	
CODE	Thickness T mm	Size mm	kg 1 mt	pcs	
	LD 40x40x4 D HDG	4,0	40x40	2,42	10
	LD 50x50x5 D HDG	5,0	50x50	3,77	10

LD...D		L:6000		HDG	
CODE	Thickness T mm	Size mm	kg 1 mt	pcs	
	LD 40x40x4 D.60 HDG	4,0	40x40	2,42	10
	LD 50x50x5 D.60 HDG	5,0	50x50	3,77	10

## NPU Profile

NPU Demir - Швеллер стальной



Hot-Dip Galvanised

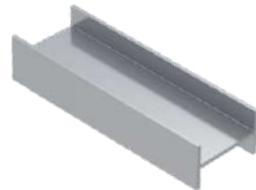
NPU		L:3000		HDG	
CODE	Thickness T mm	Size mm	kg 1 mt	pcs	
	NPU 65x42 HDG	5,5	65x42	7,09	10
	NPU 80x45 HDG	6,0	80x45	8,64	10

Mild Steel

NPU		L:6000		BL	
CODE	Thickness T mm	Size mm	kg 1 mt	pcs	
	NPU 65x42 BL	5,5	65x42	7,09	10
	NPU 80x45 BL	6,0	80x45	8,64	10

## NPI Profile

NPI Demir - Балка стальная



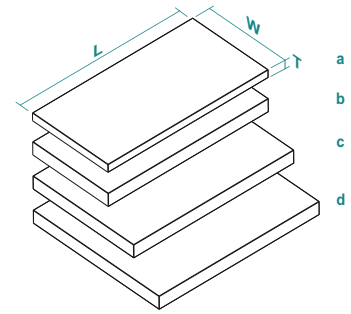
Hot-Dip Galvanised

NPI		L:6000		BL	
CODE	Thickness T mm	Size mm	kg 1 mt	pcs	
	NPI 80x42 HDG	3,9	80x42	5,95	10
	NPI 100x50 HDG	4,5	100x50	8,32	10

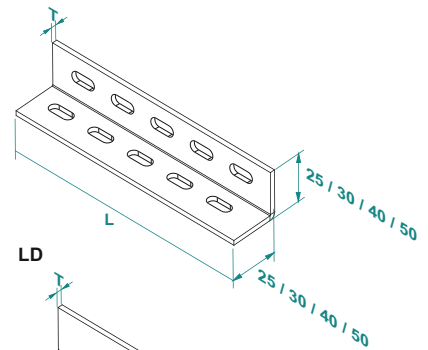
Mild Steel

NPI		L:6000		BL	
CODE	Thickness T mm	Size mm	kg 1 mt	pcs	
	NPI 80x42 BL	3,9	80x42	5,95	10
	NPI 100x50 BL	4,5	100x50	8,32	10

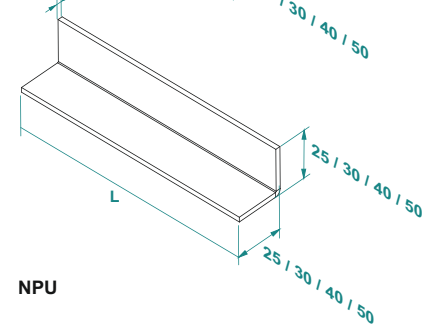
SD



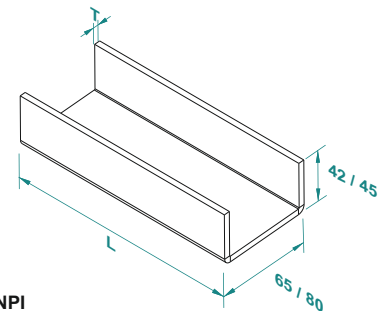
LD...D



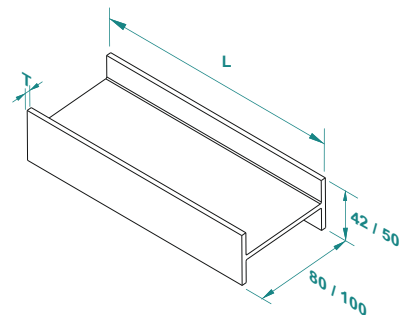
LD



NPU



NPI



### MATERIAL & FINISH

HDG - steel, hot-dip galv. to TS-EN ISO 1461:2011 (HDG)

Mild steel, S185, S235JR/J0/J2, S275JR/J0/J2, S355JR/J0/J2

AS PER TS EN 10025-1 / 2

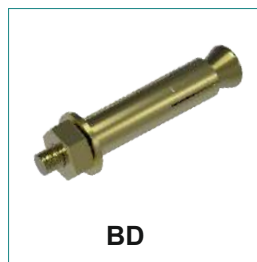
Mounting and fasteners



CFS



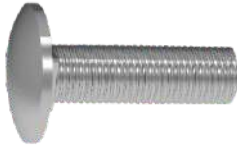
CSP



## Round Head Squire Neck Bolt

Yuvarlak Başlı Kare Boyunlu Kanal Cıvatası

Болты с грибовидной головкой и квадратным подголовником



Electro - Galvanised

C M		EG		
CODE	Thread Metric	Length L mm	KG 1 pc	pcs
C M6 EG	M6	15	0,004	500
C M6 20 EG	M6	20	0,005	500
C M8 EG	M8	15	0,007	500
C M8 25 EG	M8	25	0,012	500

Dakromet

C M		HDG		
CODE	Thread Metric	Length L mm	KG 1 pc	pcs
C M6 HDG	M6	15	0,004	500
C M6 20 HDG	M6	20	0,005	500
C M8 HDG	M8	15	0,007	500
C M8 25 HDG	M8	25	0,013	500

## DIN 6923 Flanged Nut

DIN 6923 Flaşlı Somun - Гайка с насечкой



Electro - Galvanised

FS M		EG	
CODE	Thread Metric	KG 1 pc	pcs
FS M6 EG	M6	0,003	500
FS M8 EG	M8	0,006	500
FS M10 EG	M10	0,014	500
FS M12 EG	M12	0,030	500

Dakromet

FS M		HDG	
CODE	Thread Metric	KG 1 pc	pcs
FS M6 HDG	M6	0,003	500
FS M8 HDG	M8	0,006	500
FS M10 HDG	M10	0,015	500
FS M12 HDG	M12	0,032	500

## DIN 934 Hex Nut

DIN 934 Somun - Гайка



Electro - Galvanised

S M		EG	
CODE	Thread Metric	KG 1 pc	pcs
S M6 EG	M6	0,001	500
S M8 EG	M8	0,004	500
S M10 EG	M10	0,010	500
S M12 EG	M12	0,020	500

Dakromet

S M		EG	
CODE	Thread Metric	KG 1 pc	pcs
S M6 HDG	M6	0,002	500
S M8 HDG	M8	0,004	500
S M10 HDG	M10	0,011	500
S M12 HDG	M12	0,021	500

## DIN 125 Flat Washer

DIN 125 Pul - Шайба



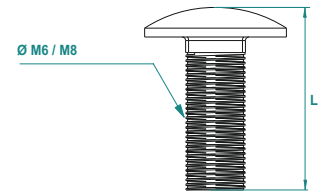
Electro - Galvanised

P M		EG	
CODE	Thread Metric	KG 1 pc	pcs
P M6 EG	M6	0,001	500
P M8 EG	M8	0,002	500
P M10 EG	M10	0,004	500
P M12 EG	M12	0,008	500

Dakromet

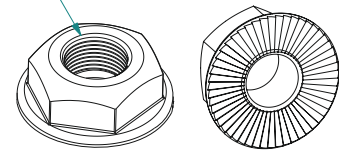
P M		EG	
CODE	Thread Metric	KG 1 pc	pcs
P M6 HDG	M6	0,001	500
P M8 HDG	M8	0,002	500
P M10 HDG	M10	0,004	500
P M12 HDG	M12	0,008	500

C M



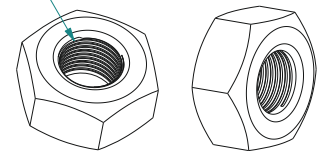
FS M

Ø M6 / M8 / M10 / M12



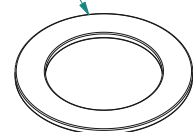
S M

Ø M6 / M8 / M10 / M12



P M

Ø M6 / M8 / M10 / M12



### MATERIAL & FINISH

EG- Electro - Galvanised EN ISO 2081

Dacromet - Non-electrolytical zinc-flake coatings EN ISO 10683

Available Finishes:

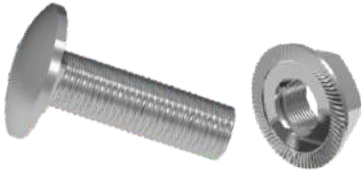
SS- Stainless steel AISI 304L and AISI 316L (SS)



## Round Head Squire Neck Bolt, Flanged Nut

Yuvarlak Başlıklı Kare Boyunlu Kanal Civatası ve Flaşlı Somun

Комплект: Болт с грибовидной головкой, и квадратным подголовником и Гайка с насечкой



Electro - Galvanised

CFS M		EG		
CODE	Thread Metric	Length L mm	KG 1 pc	pcs
CFS M6 EG	M6	15	0,007	500
CFS M6 20 EG	M6	20	0,008	500
CFS M8 EG	M8	15	0,013	500

Dakromet

CFS M		HDG		
CODE	Thread Metric	Length L mm	KG 1 pc	pcs
CFS M6 HDG	M6	15	0,007	500
CFS M6 20 HDG	M6	20	0,008	500
CFS M8 HDG	M8	15	0,013	500

## Round Head Squire Neck Bolt, Hex Nut, Washer

Yuvarlak Başlı Kare Boyunlu Kanal Civatası, Somun ve Pul

Комплект: Болт с грибовидной головкой, и квадратным подголовником, Гайка и Шайба



Electro - Galvanised

CSP M		EG		
CODE	Thread Metric	Length L mm	KG 1 pc	pcs
CSP M6 EG	M6	15	0,007	500
CSP M8 EG	M8	15	0,013	500

Dakromet

CSP M		HDG		
CODE	Thread Metric	Length L mm	KG 1 pc	pcs
CSP M6 HDG	M6	15	0,007	500
CSP M8 HDG	M8	15	0,013	500

## DIN 127 Spring Lock Washers

DIN 127 Yaylı Pul - Шайба гровер



Electro - Galvanised

YP M		EG		
CODE	Thread Metric	KG 1 pc	pcs	
YP M6 EG	M6	0,001	500	
YP M8 EG	M8	0,002	500	
YP M10 EG	M10	0,004	500	
YP M12 EG	M12	0,008	500	

Dakromet

YP M		HDG		
CODE	Thread Metric	KG 1 pc	pcs	
YP M6 HDG	M6	0,001	500	
YP M8 HDG	M8	0,002	500	
YP M10 HDG	M10	0,004	500	
YP M12 HDG	M12	0,008	500	

## DIN 6798 Serrated Lock Washers

DIN 6798 Tırtıllı Pul - Шайба стопорная



Electro - Galvanised

TP M		EG		
CODE	Thread Metric	KG 1 pc	pcs	
TP M6 EG	M6	0,001	500	
TP M8 EG	M8	0,002	500	
TP M10 EG	M10	0,004	500	
TP M12 EG	M12	0,008	500	

## DIN 9021 Wide Flat (Plain) Washers

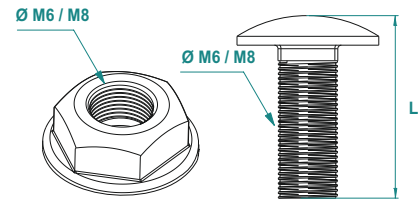
DIN 9021 Geniş Pul - Широкая шайба



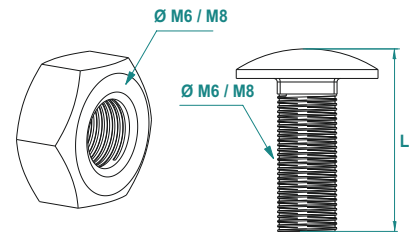
Electro - Galvanised

GP M		EG		
CODE	Thread Metric	D mm	KG 1 pc	pcs
GP M6 EG	M6	18	0,002	500
GP M8 EG	M8	24	0,004	500
GP M10 EG	M10	30	0,006	500
GP M12 EG	M12	37	0,012	500

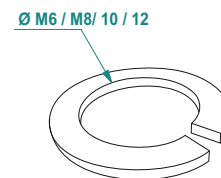
### CFS M6 / CFS M8



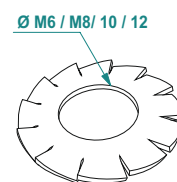
### CSP M



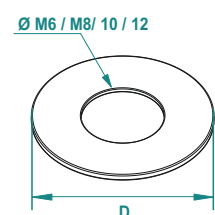
### YP M



### TP M



### GP M



### MATERIAL & FINISH

EG- Electro - Galvanised EN ISO 2083

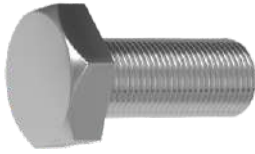
Dacromet - Non-electrolytical zinc-flake coatings EN ISO 10683

Available Finishes:

SS- Stainless steel AISI 304L and AISI 316L (ss)

## DIN 933 Hex Bolt

DIN 933 Anahtar Başlı Civata - Болт с шестигранной головкой



### Electro - Galvanised

AC M	M6	EG		
CODE	Thread Metric	Length L mm	KG 1 pc	pcs
AC M6 20 EG	M6	20	0,006	250
AC M6 25 EG	M6	25	0,007	250
AC M6 30 EG	M6	30	0,008	200
AC M6 35 EG	M6	35	0,009	200
AC M6 40 EG	M6	40	0,010	200

### Dakromet

AC M	M6	HDG		
CODE	Thread Metric	Length L mm	KG 1 pc	pcs
AC M6 20 HDG	M6	20	0,006	250
AC M6 25 HDG	M6	25	0,007	250
AC M6 30 HDG	M6	30	0,008	200
AC M6 35 HDG	M6	35	0,009	200
AC M6 40 HDG	M6	40	0,010	200

### M8

CODE	Thread Metric	Length L mm	KG 1 pc	pcs
AC M8 20 EG	M8	20	0,012	100
AC M8 25 EG	M8	25	0,013	100
AC M8 30 EG	M8	30	0,014	100
AC M8 35 EG	M8	35	0,016	100
AC M8 40 EG	M8	40	0,018	100
AC M8 50 EG	M8	50	0,021	100
AC M8 60 EG	M8	60	0,024	100
AC M8 70 EG	M8	70	0,027	100

### M8

CODE	Thread Metric	Length L mm	KG 1 pc	pcs
AC M8 20 HDG	M8	20	0,012	100
AC M8 25 HDG	M8	25	0,013	100
AC M8 30 HDG	M8	30	0,014	100
AC M8 35 HDG	M8	35	0,016	100
AC M8 40 HDG	M8	40	0,018	100
AC M8 50 HDG	M8	50	0,021	100
AC M8 60 HDG	M8	60	0,024	100
AC M8 70 HDG	M8	70	0,027	100

### M10

CODE	Thread Metric	Length L mm	KG 1 pc	pcs
AC M10 20 EG	M10	20	0,020	100
AC M10 25 EG	M10	25	0,023	100
AC M10 30 EG	M10	30	0,025	100
AC M10 35 EG	M10	35	0,028	100
AC M10 40 EG	M10	40	0,033	100
AC M10 50 EG	M10	50	0,038	100
AC M10 60 EG	M10	60	0,043	100
AC M10 70 EG	M10	70	0,048	100
AC M10 80 EG	M10	80	0,053	100
AC M10 90 EG	M10	90	0,058	100

### M10

CODE	Thread Metric	Length L mm	KG 1 pc	pcs
AC M10 20 HDG	M10	20	0,020	100
AC M10 25 HDG	M10	25	0,023	100
AC M10 30 HDG	M10	30	0,025	100
AC M10 35 HDG	M10	35	0,028	100
AC M10 40 HDG	M10	40	0,033	100
AC M10 50 HDG	M10	50	0,038	100
AC M10 60 HDG	M10	60	0,043	100
AC M10 70 HDG	M10	70	0,048	100
AC M10 80 HDG	M10	80	0,053	100
AC M10 90 HDG	M10	90	0,058	100

### M12

CODE	Thread Metric	Length L mm	KG 1 pc	pcs
AC M12 25 EG	M12	25	0,031	50
AC M12 30 EG	M12	30	0,035	50
AC M12 35 EG	M12	35	0,039	50
AC M12 40 EG	M12	40	0,043	50
AC M12 50 EG	M12	50	0,051	50
AC M12 60 EG	M12	60	0,060	50
AC M12 70 EG	M12	70	0,068	50
AC M12 80 EG	M12	80	0,076	50
AC M12 90 EG	M12	90	0,084	50

### M12

CODE	Thread Metric	Length L mm	KG 1 pc	pcs
AC M12 25 HDG	M12	25	0,031	50
AC M12 30 HDG	M12	30	0,035	50
AC M12 35 HDG	M12	35	0,039	50
AC M12 40 HDG	M12	40	0,043	50
AC M12 50 HDG	M12	50	0,051	50
AC M12 60 HDG	M12	60	0,060	50
AC M12 70 HDG	M12	70	0,068	50
AC M12 80 HDG	M12	80	0,076	50
AC M12 90 HDG	M12	90	0,084	50

## DIN 7985 Roofing Bolt

DIN 7985 Yıldız Silindir Başlı Civata (YSB)  
Винт с полукруглой головкой



### Electro - Galvanised

YSB M	EG			
CODE	Thread Metric	Length L mm	KG 1 pc	pcs
YSB M6 40 EG	M6	40	0,010	100
YSB M8 40 EG	M8	40	0,020	100
YSB M10 40 EG	M10	40	0,030	100

## DIN 94 Splinte Pins 8x80

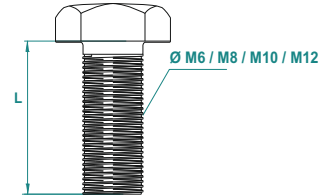
DIN 94 Kopyla 8x80  
Шпилька - фиксатор



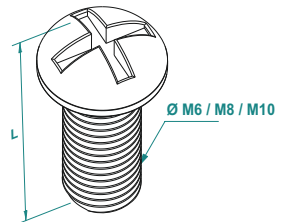
### Electro - Galvanised

KOP	EG			
CODE	Thread Metric	Length L mm	KG 1 pc	pcs
KOP M6	M6	70	0,014	100
KOP M8	M8	90	0,030	100

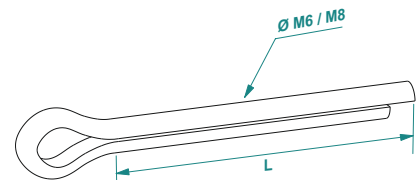
### AC M



### YSB M



### KOP



### MATERIAL & FINISH

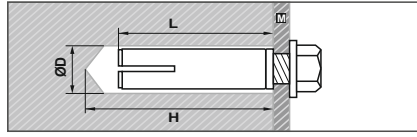
EG- Electro - Galvanised EN ISO 10683  
Dacromet - Non-electrolytical zinc-flake coatings EN ISO 10683

### Available Finishes:

SS- Stainless steel AISI 304L and AISI 316L (ss)

## Drop in Anchor

Çakmalı Dübel - Шпилька-фиксатор

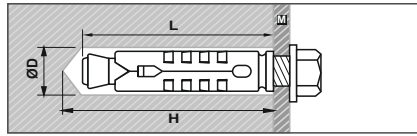


Electro - Galvanised

CD M		EG				
CODE	Thread Metric	Length L mm	Height H mm	Out Diameter D mm	kg 1 pc	pcs
CD M6	M6	20	20	7,4	0,006	100
CD M8	M8	27	30	9,4	0,009	100
CD M10	M10	40	40	11,6	0,016	50
CD M12	M12	47	50	15,3	0,040	50

## Draw in Anchor

S Tipi Çakmalı Dübel - Стандартный анкер

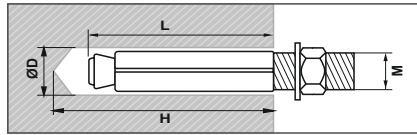


Electro - Galvanised

SD M		EG				
CODE	Thread Metric	Length L mm	Height H mm	Out Diameter D mm	kg 1 pc	pcs
SD M6	M6	45	50	10	0,010	100
SD M8	M8	50	60	12,5	0,014	100
SD M10	M10	55	65	15,5	0,023	50
SD M12	M12	65	75	18,5	0,040	50

## Sleeve Anchor Pipe Type

Borulu Çakmalı Dübel - Анкер со шпилькой

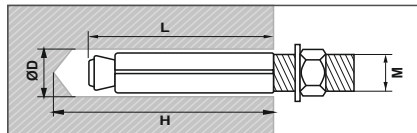


Electro - Galvanised

BD M		EG				
CODE	Thread Metric	Length L mm	Height H mm	Out Diameter D mm	kg 1 pc	pcs
BD M8 60	M8	60	70	10	0,036	100
BD M10 85	M10	85	90	12	0,065	100
BD M10 110	M10	110	120	12	0,086	110
BD M12 90	M12	90	100	16	0,110	100
BD M12 110	M12	110	120	16	0,135	100

## Sleeve Anchor

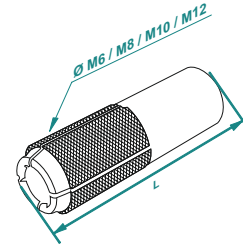
Gömleklİ Çakmalı Dübel - Стандартный анкер со шпилькой



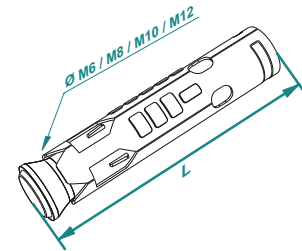
Electro - Galvanised

GD M		EG				
CODE	Thread Metric	Length L mm	Height H mm	Out Diameter D mm	kg 1 pc	pcs
GD M6 45	M6	45	50	8	0,015	500
GD M8 55	M8	55	60	10	0,028	250
GD M8 75	M8	75	80	10	0,036	200
GD M10 70	M10	70	75	12	0,055	100
GD M10 85	M10	85	90	12	0,065	100
GD M10 110	M10	110	120	12	0,086	100
GD M12 90	M12	90	100	16	0,110	50
GD M12 110	M12	110	120	16	0,135	50

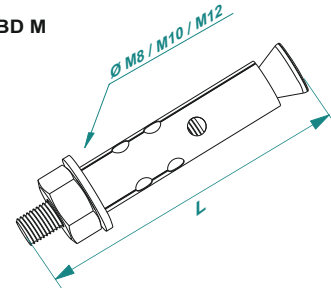
CD M



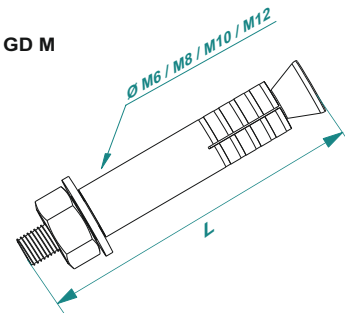
SD M



BD M



GD M

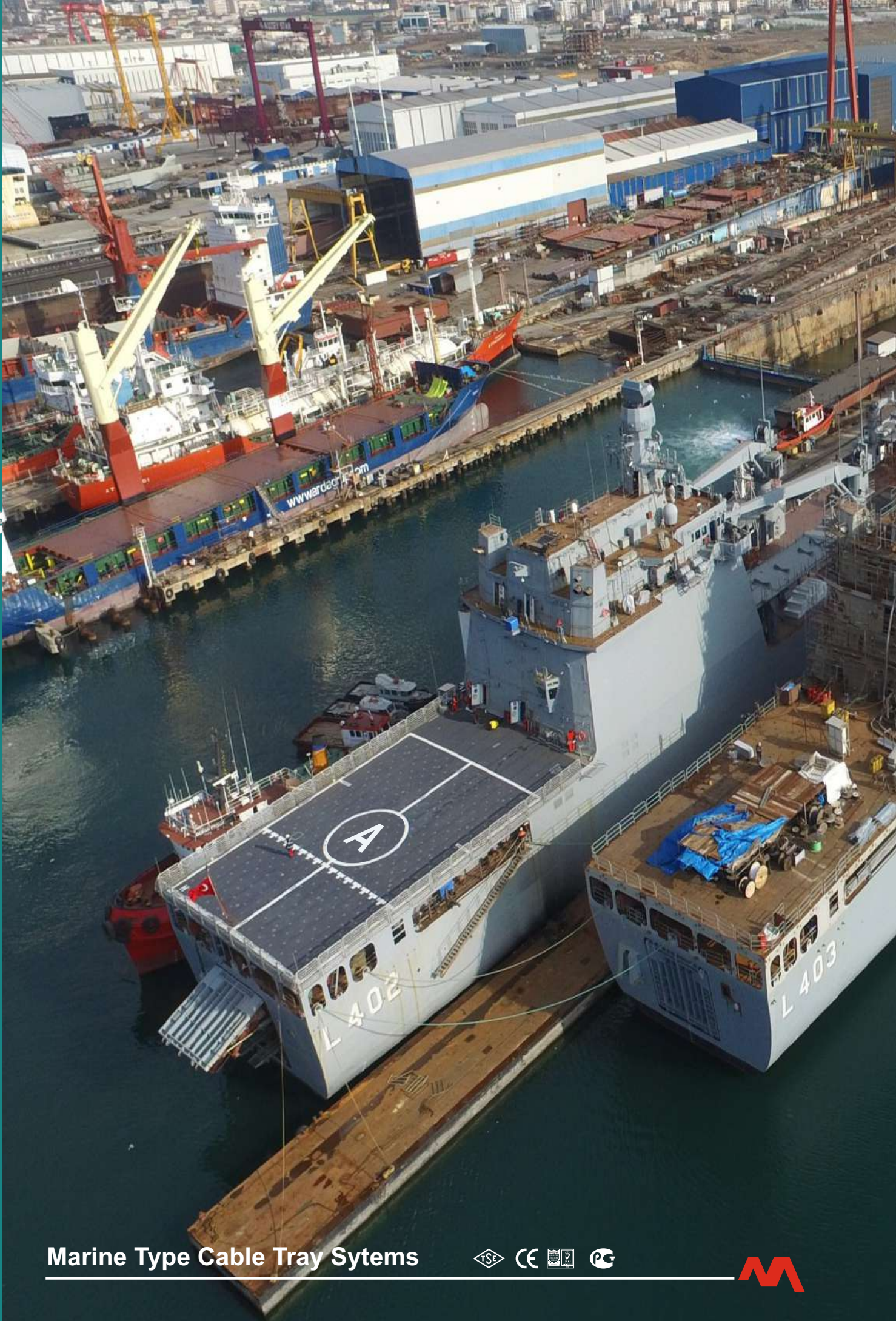


MATERIAL & FINISH

EG- Electro - Galvanised EN ISO 2081

Available Finishes:

SS- Stainless steel AISI 304L and AISI 316L (ss)



Marine Type Cable Tray Systems



## Marine Type Cable Trays - Gemi Tipi Kablo Kanalı Морские кабельные лотки

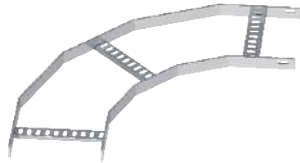


**Marine Type Cable Ladder (U Type)**  
"U" Ara Basamaklı Kablo Merdiveni



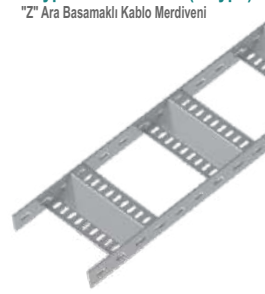
**GKM**

**90 Horizontal Bend of GKM**  
90 Yatay Dönüş Elemanı



**GM90**

**Marine Type Cable Ladder (Z Type)**  
"Z" Ara Basamaklı Kablo Merdiveni



**GZM**

**90 Horizontal Bend of GZM**  
90 Yatay Dönüş Elemanı (Z Tipi)



**GZM 90**

**Splice Connector**  
Birleştirme Elemanı



**BG**

**Vertical Adjustable Connector**  
Dikey Seviye Değiştirme Elemanı



**BDG**

**Fixing Unit**  
Zemine Sabitleme Elemanı



**MT / 4**

**Tee and Cross Piece Bracket**  
T ve Dörtlü Dönüş Elemanı



**GMTD**

## Marine Type Cable Trays

Gemi Tipi Kablo Kanalı - Морские кабельные лотки



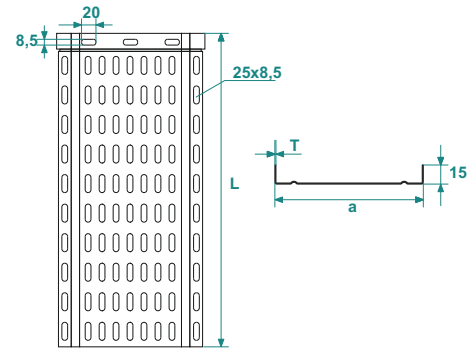
Important!  
To install cable tray - straight use screw sets CFS M6 or CFS M8

### Hot Dip-Galvanised

GKK H15		1.0mm		KG	pcs
CODE	Width a mm	Length L mm	1 pc	1 pc	1 pc
GKK 105 10 HDG	50	2000	0.50	2	
GKK 107 10 HDG	75	2000	0.66	2	
GKK 110 10 HDG	100	2000	0.82	2	
GKK 115 10 HDG	150	2000	1.13	2	
GKK 120 10 HDG	200	2000	1.44	2	
GKK H15		1.5mm		KG	pcs
CODE	Width a mm	Length L mm	1 pc	1 pc	1 pc
GKK 105 15 HDG	50	2000	0.75	2	
GKK 107 15 HDG	75	2000	0.99	2	
GKK 110 15 HDG	100	2000	1.22	2	
GKK 115 15 HDG	150	2000	1.70	2	
GKK 120 15 HDG	200	2000	2.17	2	
GKK 125 15 HDG	250	2000	2.64	2	
GKK 130 15 HDG	300	2000	3.11	2	
GKK 135 15 HDG	350	2000	3.58	2	
GKK 140 15 HDG	400	2000	4.05	2	
GKK 145 15 HDG	450	2000	4.52	2	
GKK 150 15 HDG	500	2000	4.99	2	
GKK 160 15 HDG	600	2000	5.93	2	

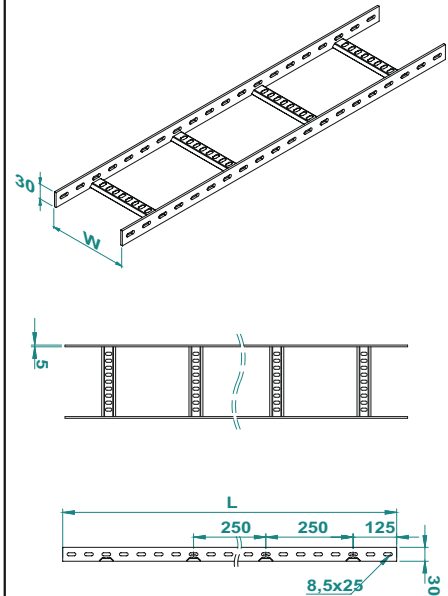
GKK H15		1.2mm		KG	pcs
CODE	Width a mm	Length L mm	1 pc	1 pc	1 pc
GKK 105 12 HDG	50	2000	0.60	2	
GKK 107 12 HDG	75	2000	0.79	2	
GKK 110 12 HDG	100	2000	0.98	2	
GKK 115 12 HDG	150	2000	1.36	2	
GKK 120 12 HDG	200	2000	1.73	2	
GKK 125 12 HDG	250	2000	2.11	2	
GKK 130 12 HDG	300	2000	2.49	2	
GKK H15		2.0mm		KG	pcs
CODE	Width a mm	Length L mm	1 pc	1 pc	1 pc
GKK 105 20 HDG	50	2000	1.00	2	
GKK 107 20 HDG	75	2000	1.32	2	
GKK 110 20 HDG	100	2000	1.63	2	
GKK 115 20 HDG	150	2000	2.26	2	
GKK 120 20 HDG	200	2000	2.89	2	
GKK 125 20 HDG	250	2000	3.52	2	
GKK 130 20 HDG	300	2000	4.14	2	
GKK 135 20 HDG	350	2000	4.77	2	
GKK 140 20 HDG	400	2000	5.40	2	
GKK 145 20 HDG	450	2000	6.03	2	
GKK 150 20 HDG	500	2000	6.66	2	
GKK 160 20 HDG	600	2000	7.91	2	

### GKK



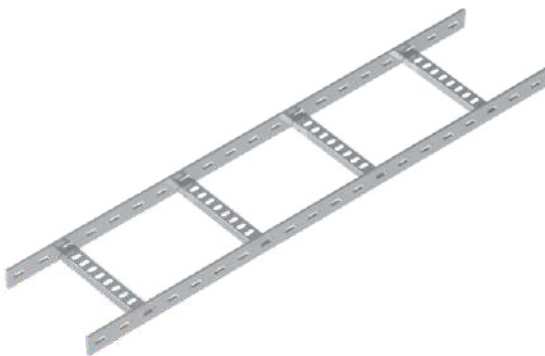
Width	Cross Section
50	7,5
100	15
150	22,5
200	30
300	45
400	60
500	75
600	90

### GKM



## Marine Type Cable Ladder U Rung Type

Gemi Tipi "U" Ara Basamaklı Kablo Merdiveni - Морские кабельности с U-образной перекладиной



### Hot Dip-Galvanised

GKM H30		5.0mm		KG	pcs
CODE	Width a mm	Length L mm	1 pc	1 pc	1 pc
GKM 310 50 HDG	100	3000	2.62	1	
GKM 315 50 HDG	150	3000	2.75	1	
GKM 320 50 HDG	200	3000	2.88	1	
GKM 325 50 HDG	250	3000	3.01	1	
GKM 330 50 HDG	300	3000	3.15	1	
GKM 335 50 HDG	350	3000	3.28	1	
GKM 340 50 HDG	400	3000	3.41	1	
GKM 345 50 HDG	450	3000	3.54	1	
GKM 350 50 HDG	500	3000	4.11	1	
GKM 360 50 HDG	600	3000	4.47	1	
GKM 370 50 HDG	700	3000	4.82	1	
GKM 375 50 HDG	750	3000	4.99	1	
GKM 380 50 HDG	800	3000	5.17	1	
GKM 390 50 HDG	900	3000	5.52	1	

### Stainless Steel 316-Polished

GKM H30		5.0mm		KG	pcs
CODE	Width a mm	Length L mm	1 pc	1 pc	1 pc
GKM 310 50 S6	100	3000	2.62	1	
GKM 315 50 S6	150	3000	2.75	1	
GKM 320 50 S6	200	3000	2.88	1	
GKM 325 50 S6	250	3000	3.01	1	
GKM 330 50 S6	300	3000	3.15	1	
GKM 335 50 S6	350	3000	3.28	1	
GKM 340 50 S6	400	3000	3.41	1	
GKM 345 50 S6	450	3000	3.54	1	
GKM 350 50 S6	500	3000	4.11	1	
GKM 360 50 S6	600	3000	4.47	1	
GKM 370 50 S6	700	3000	4.82	1	
GKM 375 50 S6	750	3000	4.99	1	
GKM 380 50 S6	800	3000	5.17	1	
GKM 390 50 S6	900	3000	5.52	1	

### APPLICATIONS

Cable routing / Standard: IEC 61537

### MATERIAL

HDG-Steel, Hot-dip galv. to TS-EN ISO 1461:2011 (HDG)  
S6-Stainless steel AISI 316L (SS)

Available finishes:

S4- Stainless steel AISI 304L

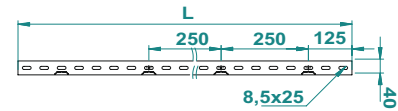
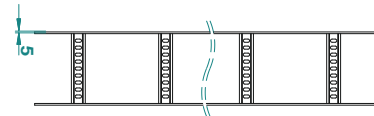
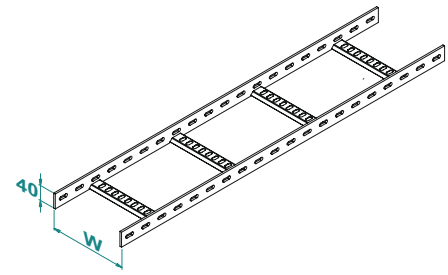
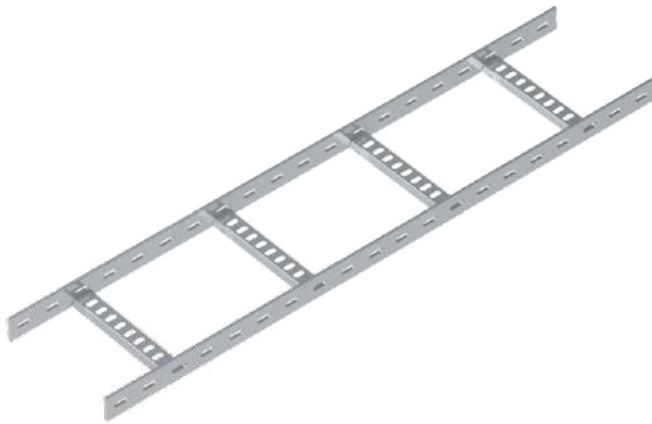
EP- Powder coating in a full range of colours (RAL)

PG-steel, strip-galv. acc. to the sendzimir method to TSE-EN 10346:2011 (PG)

Thickn. (ga) [mm]: 1.0 1.2 1.5 2.0 4.0 5.0

## Marine Type Cable Trays

Gemi Tipi "U" Ara Basamaklı Kablo Merdiveni - Морские кабельросты с U-образной перекладной



### Hot Dip-Galvanised

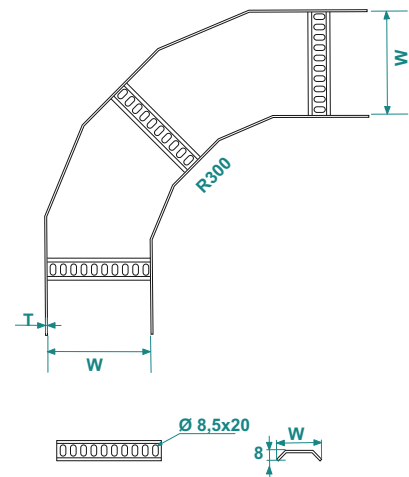
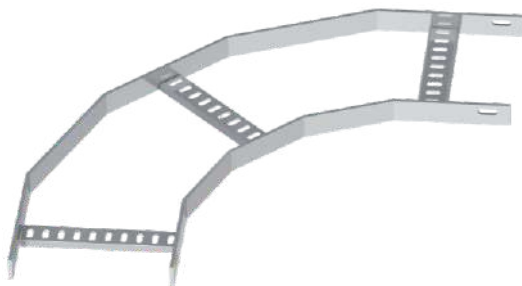
GKM H40		5.0mm			
CODE	Width a mm	Length L mm	KG 1 pc	pcs	
GKM 410 50 HDG	100	3000	3,40	2	
GKM 415 50 HDG	150	3000	3,54	2	
GKM 420 50 HDG	200	3000	3,67	2	
GKM 425 50 HDG	250	3000	3,80	2	
GKM 430 50 HDG	300	3000	3,93	2	
GKM 435 50 HDG	350	3000	4,06	2	
GKM 440 50 HDG	400	3000	4,20	2	
GKM 445 50 HDG	450	3000	4,33	2	
GKM 450 50 HDG	500	3000	4,90	2	
GKM 460 50 HDG	600	3000	5,25	2	
GKM 470 50 HDG	700	3000	5,60	2	
GKM 475 50 HDG	750	3000	5,78	2	
GKM 480 50 HDG	800	3000	5,95	2	
GKM 490 50 HDG	900	3000	6,31	2	

### Stainless Steel 316-Polished

GKM H40		5.0mm			
CODE	Width a mm	Length L mm	KG 1 pc	pcs	
GKM 410 50 S6	100	3000	3,40	2	
GKM 415 50 S6	150	3000	3,54	2	
GKM 420 50 S6	200	3000	3,67	2	
GKM 425 50 S6	250	3000	3,80	2	
GKM 430 50 S6	300	3000	3,93	2	
GKM 435 50 S6	350	3000	4,06	2	
GKM 440 50 S6	400	3000	4,20	2	
GKM 445 50 S6	450	3000	4,33	2	
GKM 450 50 S6	500	3000	4,90	2	
GKM 460 50 S6	600	3000	5,25	2	
GKM 470 50 S6	700	3000	5,60	2	
GKM 475 50 S6	750	3000	5,78	2	
GKM 480 50 S6	800	3000	5,95	2	
GKM 490 50 S6	900	3000	6,31	2	

## 90° Horizontal Bend of GKM (Gemi-U Tipi)

90° Yatay Dönüş Elemanı (Gemi -U tipi) - Угол горизонтальный 90°



### Hot Dip-Galvanised

GM90 H40		5.0mm			
CODE	Width a mm	Radius R mm	KG 1 pc	pcs	
GM90 410 50 HDG	100	300	2,87	1	
GM90 415 50 HDG	150	300	3,09	1	
GM90 420 50 HDG	200	300	3,31	1	
GM90 425 50 HDG	250	300	3,53	1	
GM90 430 50 HDG	300	300	3,75	1	
GM90 435 50 HDG	350	300	3,98	1	
GM90 440 50 HDG	400	300	4,20	1	
GM90 445 50 HDG	450	300	4,42	1	
GM90 450 50 HDG	500	300	4,97	1	
GM90 460 50 HDG	600	300	5,48	1	
GM90 470 50 HDG	700	300	5,99	1	
GM90 475 50 HDG	750	300	6,25	1	
GM90 480 50 HDG	800	300	6,50	1	
GM90 490 50 HDG	900	300	7,01	1	

### Stainless Steel 316-Polished

GM90 H40		5.0mm			
CODE	Width a mm	Radius R mm	KG 1 pc	pcs	
GM90 410 50 S6	100	300	2,87	1	
GM90 415 50 S6	150	300	3,09	1	
GM90 420 50 S6	200	300	3,31	1	
GM90 425 50 S6	250	300	3,53	1	
GM90 430 50 S6	300	300	3,75	1	
GM90 435 50 S6	350	300	3,98	1	
GM90 440 50 S6	400	300	4,20	1	
GM90 445 50 S6	450	300	4,42	1	
GM90 450 50 S6	500	300	4,97	1	
GM90 460 50 S6	600	300	5,48	1	
GM90 470 50 S6	700	300	5,99	1	
GM90 475 50 S6	750	300	6,25	1	
GM90 480 50 S6	800	300	6,50	1	
GM90 490 50 S6	900	300	7,01	1	

### APPLICATIONS

Cable routing / Standard: IEC 61537

### MATERIAL

HDG-Steel, Hot-dip galv. to TS-EN ISO 1461:2011 (HDG)  
S6-Stainless steel AISI 316L (SS)

### Available finishes:

PG-steel, strip-galv. acc. to the sendzimir method to TSE-EN 10346:2011 (PG)

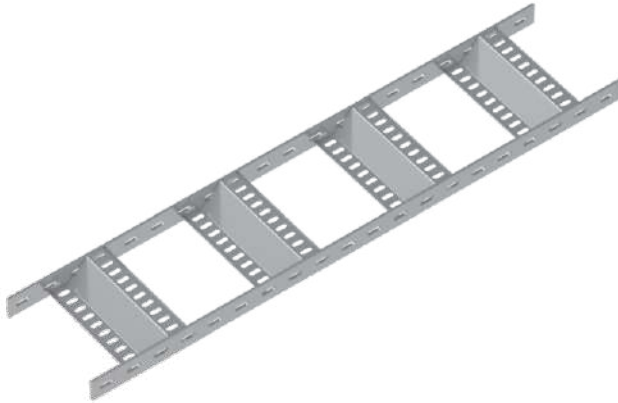
SS-Stainless steel AISI 304L and AISI 316L (SS)

EP-Powder coating in a full range of colours (RAL)

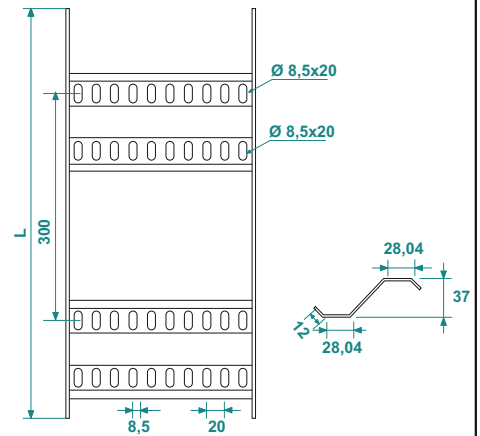
Thickn. (ga) [mm]: 1.0 1.2 1.5 2.0 4.0 5.0

## Marine Type Cable Ladder Z Rung Type

Gemi Tipi "Z" Ara Basamaklı Kablo Merdiveni - Морские кабельросты с Z-образной перекладиной



### GZM

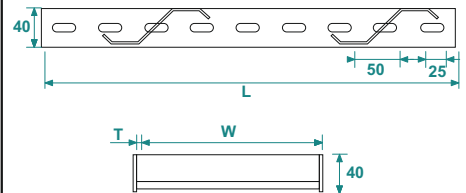


### Hot Dip-Galvanised

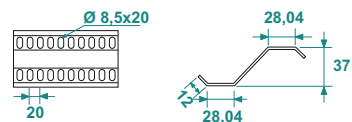
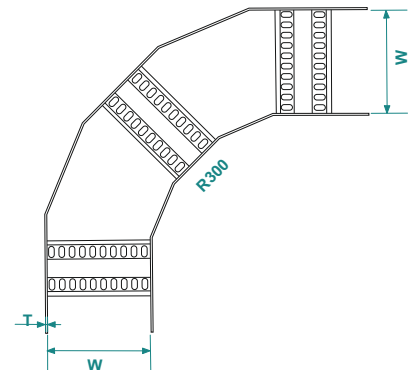
GZM H40		5.0mm		
CODE	Width a mm	Length L mm	KG 1 pc	pcs
GZM 410 50 HDG	100	3000	3.29	1
GZM 415 50 HDG	150	3000	3.52	1
GZM 420 50 HDG	200	3000	3.74	1
GZM 425 50 HDG	250	3000	3.98	1
GZM 430 50 HDG	300	3000	4.20	1
GZM 435 50 HDG	350	3000	4.44	1
GZM 440 50 HDG	400	3000	4.66	1
GZM 445 50 HDG	450	3000	4.90	1
GZM 450 50 HDG	500	3000	5.12	1
GZM 460 50 HDG	600	3000	5.58	1
GZM 470 50 HDG	700	3000	6.04	1
GZM 475 50 HDG	750	3000	6.27	1
GZM 480 50 HDG	800	3000	6.50	1
GZM 490 50 HDG	900	3000	6.96	1

### Stainless Steel 316 - Polished

GZM H40		5.0mm		
CODE	Width a mm	Length L mm	KG 1 pc	pcs
GZM 410 50 S6	100	3000	3.29	1
GZM 415 50 S6	150	3000	3.52	1
GZM 420 50 S6	200	3000	3.74	1
GZM 425 50 S6	250	3000	3.98	1
GZM 430 50 S6	300	3000	4.20	1
GZM 435 50 S6	350	3000	4.44	1
GZM 440 50 S6	400	3000	4.66	1
GZM 445 50 S6	450	3000	4.90	1
GZM 450 50 S6	500	3000	5.12	1
GZM 460 50 S6	600	3000	5.58	1
GZM 470 50 S6	700	3000	6.04	1
GZM 475 50 S6	750	3000	6.27	1
GZM 480 50 S6	800	3000	6.50	1
GZM 490 50 S6	900	3000	6.96	1

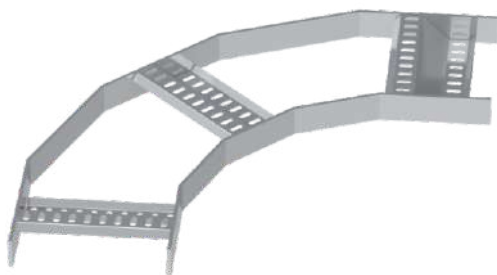


### GZM90



## 90° Horizontal Bend Z Rung Type of GZM

90° Yatay Dönüş Elemanı (Gemi-Z Tipi) - Угол горизонтальный 90°



### Hot Dip-Galvanised

GZM90 H40		5.0mm		
CODE	Width a mm	Radius R mm	KG 1 pc	pcs
GZM90 410 50 HDG	100	300	3.13	1
GZM90 415 50 HDG	150	300	3.48	1
GZM90 420 50 HDG	200	300	3.83	1
GZM90 425 50 HDG	250	300	4.19	1
GZM90 430 50 HDG	300	300	4.54	1
GZM90 435 50 HDG	350	300	4.89	1
GZM90 440 50 HDG	400	300	5.24	1
GZM90 445 50 HDG	450	300	5.60	1
GZM90 450 50 HDG	500	300	5.95	1
GZM90 460 50 HDG	600	300	6.66	1
GZM90 470 50 HDG	700	300	7.36	1
GZM90 475 50 HDG	750	300	7.71	1
GZM90 480 50 HDG	800	300	8.07	1
GZM90 490 50 HDG	900	300	8.77	1

### Stainless Steel 316 - Polished

GZM90 H40		5.0mm		
CODE	Width a mm	Radius R mm	KG 1 pc	pcs
GZM 410 50 S6	100	300	3.13	1
GZM 415 50 S6	150	300	3.48	1
GZM 420 50 S6	200	300	3.83	1
GZM 425 50 S6	250	300	4.19	1
GZM 430 50 S6	300	300	4.54	1
GZM 435 50 S6	350	300	4.89	1
GZM 440 50 S6	400	300	5.24	1
GZM 445 50 S6	450	300	5.60	1
GZM 450 50 S6	500	300	5.95	1
GZM 460 50 S6	600	300	6.66	1
GZM 470 50 S6	700	300	7.36	1
GZM 475 50 S6	750	300	7.71	1
GZM 480 50 S6	800	300	8.07	1
GZM 490 50 S6	900	300	8.77	1

### APPLICATIONS

Cable routing / Standard: IEC 61537

### MATERIAL

HDG-Steel, Hot-dip galv. to TS-EN ISO 1461:2011 (HDG)  
S6-Stainless steel AISI 316L (SS)

Available finishes:

S4- Stainless steel AISI 304L

EP- Powder coating in a full range of colours (RAL)

Thickn. (ga) [mm]: **5.0**



## Marine Type Cable Trays

Birleştirme Elemanı - Соединительный элемент



### Hot Dip-Galvanised

BG					
CODE	Width H mm	Thickness T mm	kg 1 pc	pcs	
BG 30 20 HDG	30	2,0	0,06	50	
BG 40 20 HDG	40	2,0	0,08	50	

### Stainless Steel 316-Passivated

BG					
CODE	Width H mm	Thickness T mm	kg 1 pc	pcs	
BG 30 20 S6	30	2,0	0,06	50	
BG 40 20 S6	40	2,0	0,08	50	

## Vertical Adjustable Connector

Dikey Seviye Değiştirme Elemanı - Шарнирный соединитель



### Hot Dip-Galvanised

BDG					
CODE	Width H mm	Thickness T mm	kg 1 pc	pcs	
BDG 30 20 HDG	30	2,0	0,17	50	
BDG 40 20 HDG	40	2,0	0,20	50	

### Stainless Steel 316-Passivated

BDG					
CODE	Width H mm	Thickness T mm	kg 1 pc	pcs	
BDG 30 20 S6	30	2,0	0,17	50	
BDG 40 20 S6	40	2,0	0,20	50	

## Fixing Unit - MT/4

Zemine Sabitleme Elemanı - Фиксатор кабельроста, боковой



### Hot Dip-Galvanised

MT/4					
CODE	Width H mm	Thickness T mm	kg 1 pc	pcs	
BDG 30 20 HDG	30	2,0	0,05	50	
BDG 40 20 HDG	40	2,0	0,06	50	

### Stainless Steel 316-Passivated

MT/4					
CODE	Width H mm	Thickness T mm	kg 1 pc	pcs	
BDG 30 20 S6	30	2,0	0,05	50	
BDG 40 20 S6	40	2,0	0,06	50	

## Tee and Cross Piece Bracket

T ve Dörtlü Dönüş Elemanı (Gemi) - Уголок для T-отвода и Крестовины



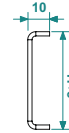
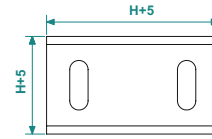
### Hot Dip-Galvanised

GMTD					
CODE	Width H mm	Thickness T mm	kg 1 pc	pcs	
GMTD 40 20 HDG	40	2,0	0,40	10	

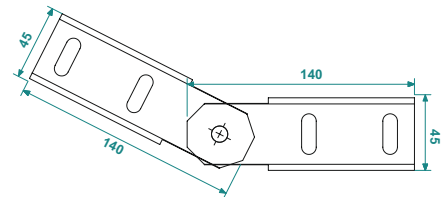
### Stainless Steel 316-Passivated

GMTD					
CODE	Width H mm	Thickness T mm	kg 1 pc	pcs	
GMTD 40 20 S6	40	2,0	0,40	10	

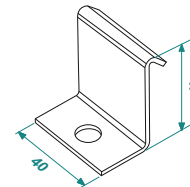
BG



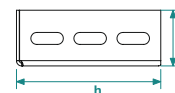
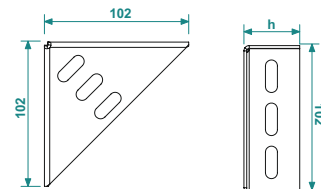
BDG



MT/4



GMTD



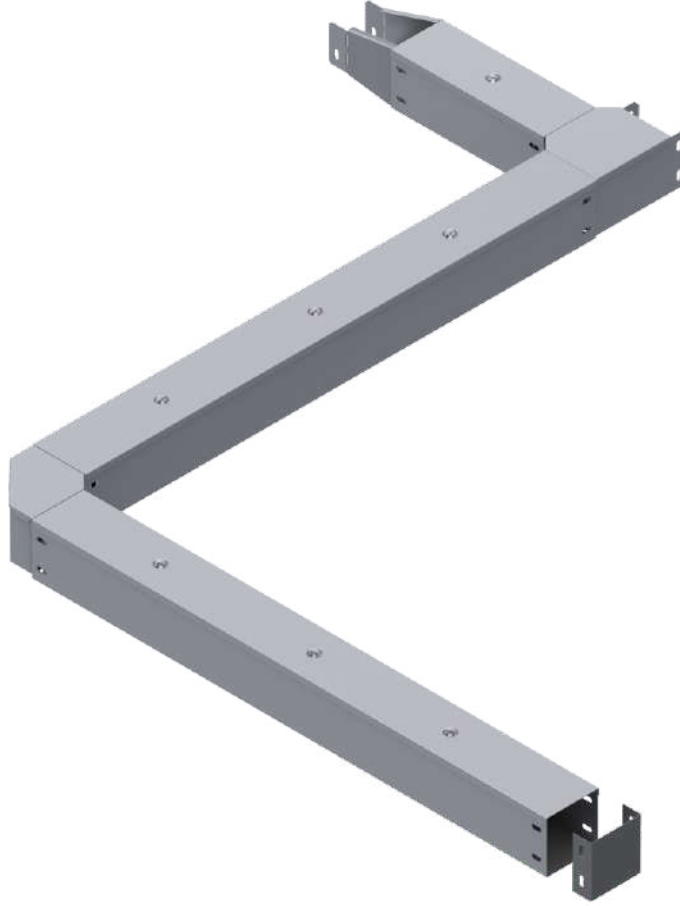
### MATERIAL

HDG-Steel, Hot-dip galv. to TS-EN ISO 1461:2011 (HDG)  
S6-Stainless steel AISI 316L (SS)

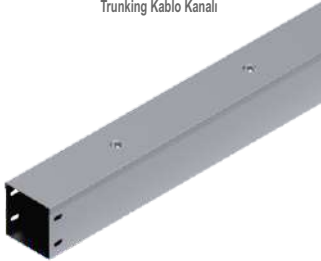
Thickn. (ga) [mm]: 5.0



## Cable Trunking Systems - Trunking tipi Kanallar Кабельные Короба



**Steel Cable Trunking**  
Trunking Kablo Kanalı



**Trunking Bends**  
Trunking Dönüşleri



**Trunking Connectors**  
Bağlantı Elemanları



**Trunking Support**  
Askı Elemanı



**Underfloor Trunkings**  
Döşeme Altı Kablo Kanalı



**Junction Box**  
Döşeme Altı Buat



**Adhesive PVC Trunking**  
Yapışkan Bantlı Plastik Kablo Kanalı

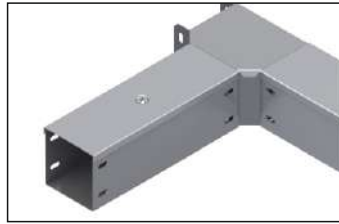
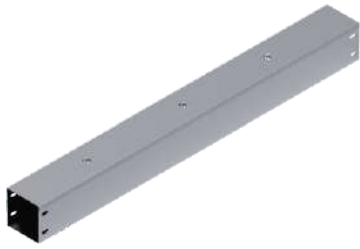


**PVC Trunking**  
Plastik Kablo Kanalı



## Steel Cable Trunkings - Quick Fix Lid

Trunking Tipi Kablo Kanali - Kilitli Tip Karak - Металлические кабельные короба, замковый



**Important!**  
Joining cable tray sections together only through the use of couplers 2 pcs for 1 Length  
To install cable tray - straight use Screw Sets CFS M6 or CFS M8

### Pre-Galvanised

TRU		0.6mm			
CODE	Width a mm	Height h mm	KG 1 pc	pcs	
TRU 5050 06 PG	50	50	1.18	2	
TRU 7575 06 PG	75	75	1.65	2	
TRU 100100 06 PG	100	100	2.12	2	
TRU 150150 06 PG	150	150	3.07	2	
TRU 200200 06 PG	200	200	4.01	2	

TRU		0.8mm			
CODE	Width a mm	Height h mm	KG 1 pc	pcs	
TRU 5050 08 PG	50	50	1.57	2	
TRU 7575 08 PG	75	75	2.20	2	
TRU 100100 08 PG	100	100	2.83	2	
TRU 150150 08 PG	150	150	4.09	2	
TRU 200200 08 PG	200	200	5.34	2	

TRU		1.0mm			
CODE	Width a mm	Height h mm	KG 1 pc	pcs	
TRU 5050 10 PG	50	50	1.97	2	
TRU 7575 10 PG	75	75	2.75	2	
TRU 100100 10 PG	100	100	3.54	2	
TRU 150150 10 PG	150	150	5.11	2	
TRU 200200 10 PG	200	200	6.68	2	

TRU		1.2mm			
CODE	Width a mm	Height h mm	KG 1 pc	pcs	
TRU 5050 12 PG	50	50	2.36	2	
TRU 7575 12 PG	75	75	3.30	2	
TRU 100100 12 PG	100	100	4.24	2	
TRU 150150 12 PG	150	150	6.13	2	
TRU 200200 12 PG	200	200	8.01	2	

TRU		1.5mm			
CODE	Width a mm	Height h mm	KG 1 pc	pcs	
TRU 5050 15 PG	50	50	2.95	2	
TRU 7550 15 PG	75	50	3.54	2	
TRU 10050 15 PG	100	50	4.13	2	
TRU 15050 15 PG	150	50	5.30	2	
TRU 20050 15 PG	200	50	6.48	2	
TRU 25050 15 PG	250	50	7.66	2	
TRU 30050 15 PG	300	50	8.84	2	

TRU		1.5mm			
CODE	Width a mm	Height h mm	KG 1 pc	pcs	
TRU 7575 15 PG	75	75	4.13	2	
TRU 10075 15 PG	100	75	4.71	2	
TRU 15075 15 PG	150	75	5.89	2	
TRU 20075 15 PG	200	75	7.07	2	
TRU 25075 15 PG	250	75	8.25	2	
TRU 30075 15 PG	300	75	9.42	2	

TRU		1.5mm			
CODE	Width a mm	Height h mm	KG 1 pc	pcs	
TRU 100100 15 PG	100	100	5.30	2	
TRU 150100 15 PG	150	100	6.48	2	
TRU 200100 15 PG	200	100	7.66	2	
TRU 250100 15 PG	250	100	8.84	2	
TRU 300100 15 PG	300	100	10.01	2	

TRU		1.5mm			
CODE	Width a mm	Height h mm	KG 1 pc	pcs	
TRU 200150 15 PG	150	150	7.66	2	
TRU 200100 15 PG	200	150	8.84	2	
TRU 250150 15 PG	250	150	10.01	2	
TRU 300150 15 PG	300	150	11.19	2	

### TRU

**Detail A**

W = 50-75-100      W = 150-200-250-300

This diagram comply with IEC 61537 with connection to 1/5 of the span and the span = 0,8x the span  
 Q= max. admissible load (kg/m)  
 L= support distance (m)  
 f= deflection (mm) /Max. deflection = L/100  
 Safety co-efficient = 1,5

W	H	mm <sup>2</sup>
50	50	20 cm <sup>2</sup>
75	75	48 cm <sup>2</sup>
100	100	90 cm <sup>2</sup>
150	150	210 cm <sup>2</sup>
200	200	380 cm <sup>2</sup>
250	250	600 cm <sup>2</sup>

### TRBE

**APPLICATIONS**  
Cable routing

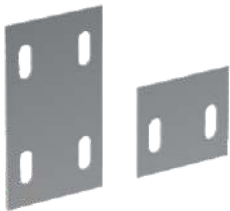
**MATERIAL**  
Steel, strip-galv. acc. to the sendzimir method to TSE-EN 10346:2011 (PG)

Available finishes:  
 HDG-steel, hot-dip galv. to TSE-EN ISO 1461:2011(HDG)  
 SS-Stainless steel AISI 304L and AISI316L (SS)  
 EP-Powder coating in a full range of colours (RAL)

Thickn. (ga) [mm]: 0.6 0.8 1.0 1.2 1.5

## Straight Connector

Trunking Düz Birleştirme Elemanı - Соединительная пластина



**Important!**  
To install one length; use 2 pieces of KBE connector 8 sets of CFS bolts and nuts. (M6 or M8)

### Pre-Galvanised

TRBE		1.2mm			
CODE	Height h mm	Length L mm	KG 1 pc	pcs	
TRBE 50 12 PG	50	80	0.038	100	
TRBE 75 12 PG	75	80	0.057	100	
TRBE 100 12 PG	100	80	0.075	100	
TRBE 150 12 PG	150	80	0.113	100	
TRBE 200 12 PG	200	80	0.151	100	

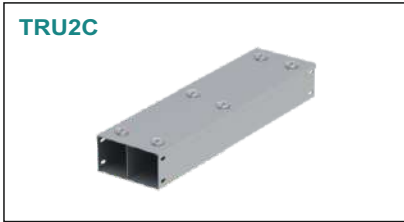
TRBE		1.5mm			
CODE	Height h mm	Length L mm	KG 1 pc	pcs	
TRBE 50 15 PG	50	80	0.047	100	
TRBE 75 15 PG	75	80	0.071	100	
TRBE 100 15 PG	100	80	0.094	100	
TRBE 150 15 PG	150	80	0.141	100	
TRBE 200 15 PG	200	80	0.188	100	

### Electro-Galvanized

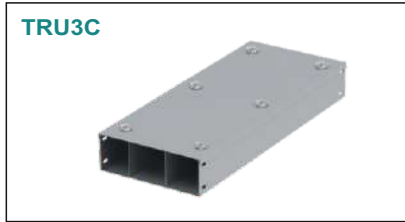
CFS		M6			
CODE	Size mm	Length L mm	KG 1 pc	pcs	
CFS M6 EG	M6	15	0.008	500	

CFS		M8			
CODE	Size mm	Length L mm	KG 1 pc	pcs	
CFS M8 EG	M8	15	0.014	500	

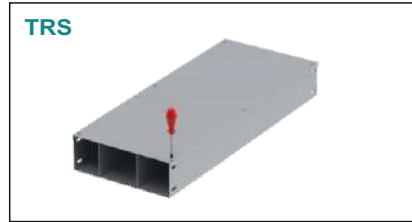
2 Comp. Steel Cable Trunkings - Quick Fix Lid



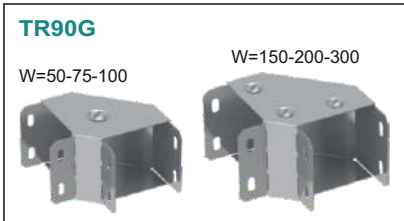
3 Comp. Steel Cable Trunkings - Quick Fix Lid



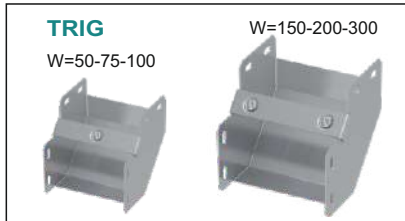
Steel Cable Trunkings - Screw Fix Lid



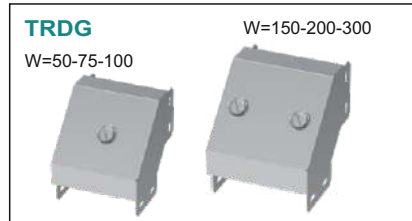
Top Lid 90° Bend - Gusset - Quick Fix



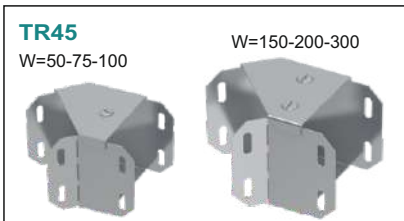
Inside Lid 90° Bend - Gusset - Quick Fix



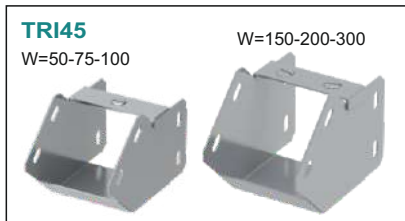
Outside Lid 90° Bend - Gusset - Quick Fix



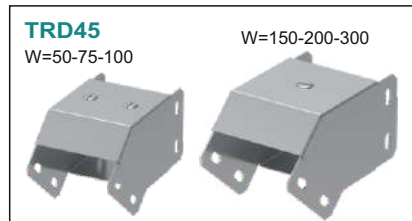
Top Lid 45° Bend - Quick Fix



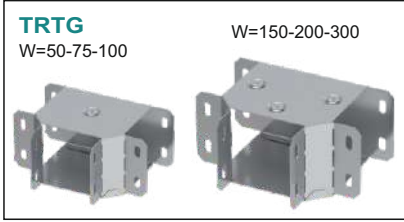
Inside Lid 45° Bend - Quick Fix



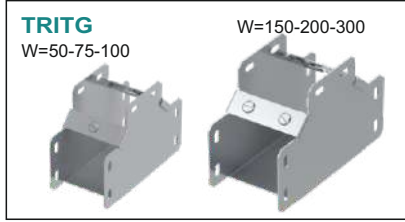
Outside Lid 45° Bend - Quick Fix



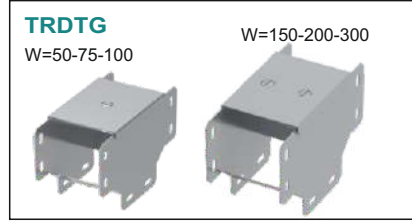
Top Lid Tee Bend - Gusset - Quick Fix



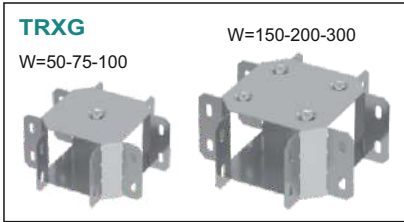
Inside Lid Tee Bend - Gusset - Quick Fix



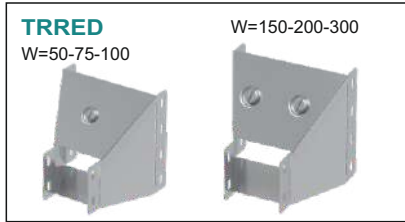
Outside Lid Tee - Gusset - Quick Fix



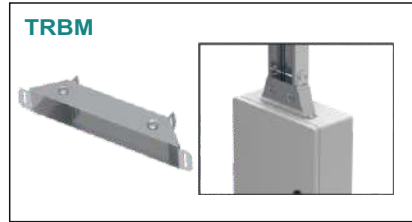
Top Lid crossover - Gusset - Quick Fix



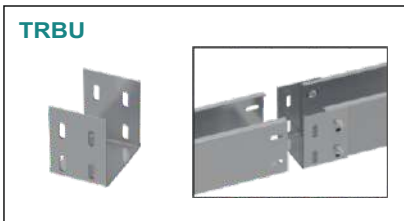
Reducer - Quick Fix



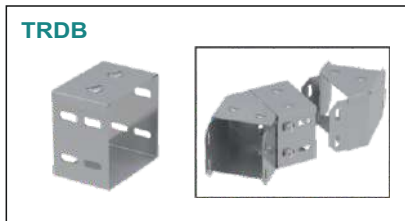
Bellmouth - Quick Fix



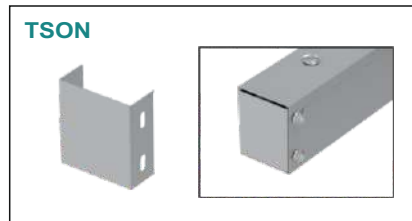
U Type Connector



Fitting Adapter - Quick Fix



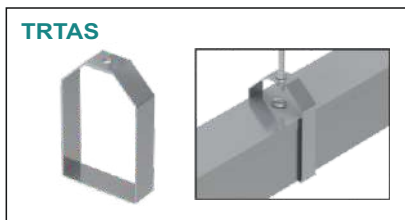
Stop End



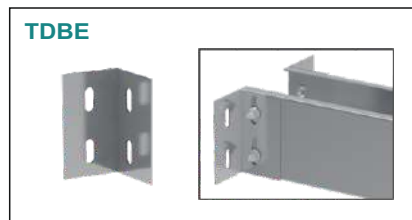
Earth Link



Trunking Single Threaded Rod Hanger



Flange (angle) connector (pair)



## Underfloor Cable Trays H30

Döşeme Altı Kablo Kanalları - Лотки под заливку в бетон



Pre - Galvanized

CODE	Width a mm	Length L mm	KG 1m	pcs
DAK 308 12 PG	80	3000	2.56	1
DAK 312 12 PG	120	3000	3.72	1
DAK 316 12 PG	160	3000	4.47	1
DAK 320 12 PG	200	3000	5.54	1
DAK 324 12 PG	240	3000	6.33	1
DAK 330 12 PG	300	3000	7.46	1

### APPLICATIONS

Cable routing

### MATERIAL

Steel, strip-galv. acc. to the Sendzimir method to TS-EN 10346:2011 (PG)

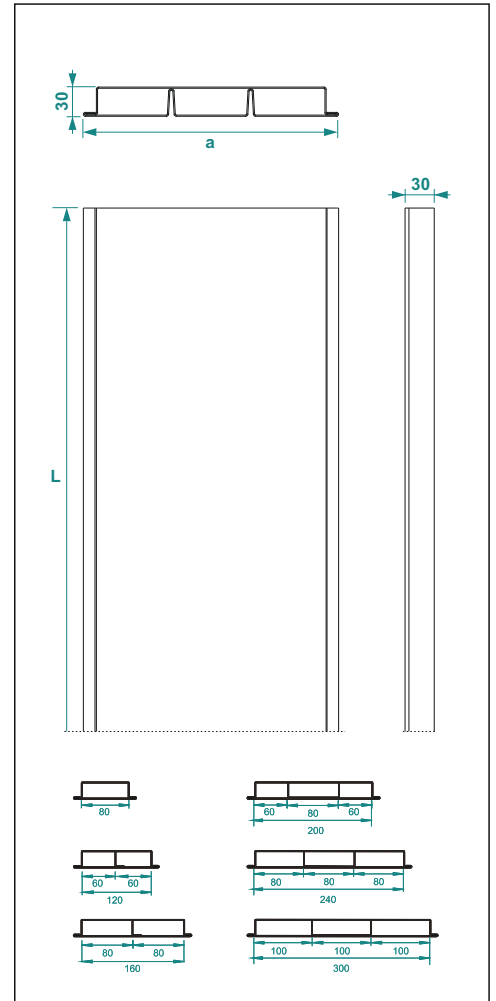
Available finishes:

HDG-steel, hot-dip galv. to TS-EN ISO 1461:2011 (HDG)

SS- stainless steel AISI 304L and AISI 316L (SS)

EP- powder coating in a full range of colours (RAL)

Thickn. (ga) [mm]: 1.2



## Accessories

### Empty Junction Box

Döşeme altı boş buat



DBB 35 8

### Socket Case

8'Li Buat Priz Kasası



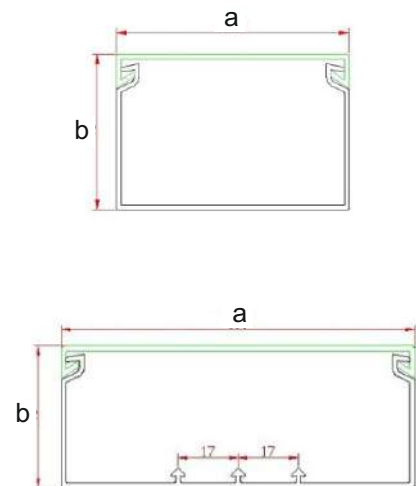
BPK 8

## PVC Trunking

Plastik Kablo Kanalları - Пластиковые короба



PT ...			
CODE	Width a x b mm	Length L mm	
PT 1212	12x12	2000	378
PT 1510	15x10	2000	340
PT 1616	16x16	2000	266
PT 2013	20x13	2000	270
PT 2516	25x16	2000	168
PT 2525	25x25	2000	130
PT 3020	30x20	2000	120
PT 4016	40x16	2000	98
PT 4025	40x25	2000	80
PT 4040	40x40	2000	72
PT 6040	60x40	2000	48
PT 6060	60x60	2000	40
PT 8040	80x40	2000	36
PT 8060	80x60	2000	32
PT 10040	100x40	2000	28
PT 10060	100x60	2000	24
PT 12060	120x60	2000	20



### General features

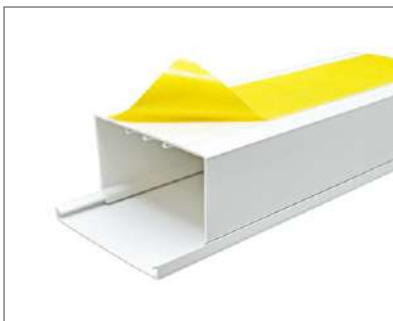
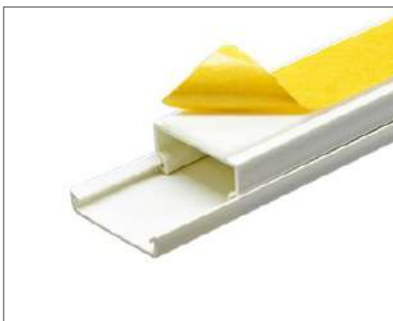
Row Material PVC UL94, V0 M1  
Impact Resistance : 2 Joule  
Operation Temperature : -25 +65 Co  
Colour : White RAL 9010  
IP Ingress Protection : IP40

### Additional Features

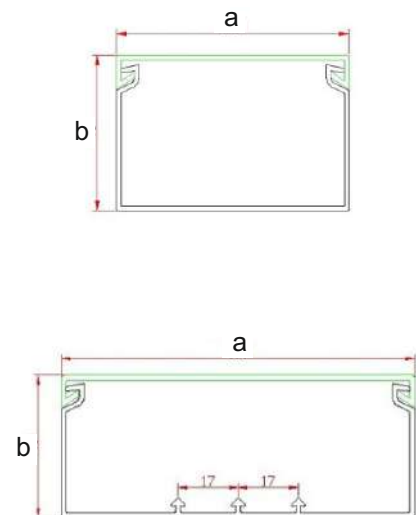
UV resistant  
Easy install, paintable, non-flammable,  
Economic and adaptable  
Resistant to acids, oils and greases  
Non-conductive  
Nonflammable

## Adhesive PVC Trunking

Yapışkan Bantlı Plastik Kablo Kanalı - Пластиковые короба (с клейкой изолирующей лентой)



APT ...			
CODE	Width a x b mm	Length L mm	
APT 1212	12x12	2000	378
APT 1510	15x10	2000	340
APT 1616	16x16	2000	266
APT 2013	20x13	2000	270
APT 2516	25x16	2000	168
APT 2525	25x25	2000	130
APT 3020	30x20	2000	120
APT 4016	40x16	2000	98
APT 4025	40x25	2000	80
APT 4040	40x40	2000	72



### General features

Row Material PVC UL94, V0 M1  
Impact Resistance : 2 Joule  
Operation Temperature : -25 +65 Co  
Colour : White RAL 9010  
IP Ingress Protection : IP40

### Additional Features

UV resistant  
Easy install, paintable, non-flammable,  
Economic and adaptable  
Resistant to acids, oils and greases  
Non-conductive  
Nonflammable



**Electrical Conduits**





# Steel and Plastic Electrical Conduits

## Galvanized Flexible Steel Conduits

Çelik Spiral Boru

Металпрукав из оцинкованной стали



## PVC Coated Flexible Steel Conduit

PVC Kaplı Çelik Spiral Boru

Металпрукав в ПВХ оболочке



## PVC Spiral Pipe Flame-retardant

PVC Spiral boru

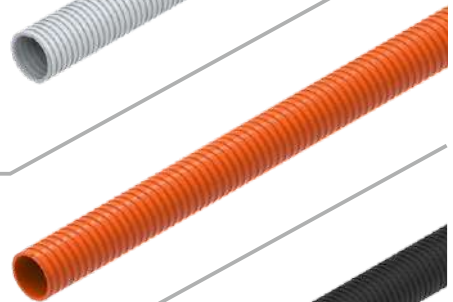
Гофрированная труба из ПВХ



## PE Spiral Pipe Halogen Free

PE Spiral boru

Гофрированная труба из полиэтилена



## PA6 Polyamid Spiral Pipes

PA6 Spiral boru

Гофрированная труба из полиамида



## PVC Rigit Pipes Flame-retardant Cold Bendable

PVC Düz boru

Жесткая гладкостенная труба из ПВХ



## EMT Galvanised Steel Conduits

Galvaniz EMT boru

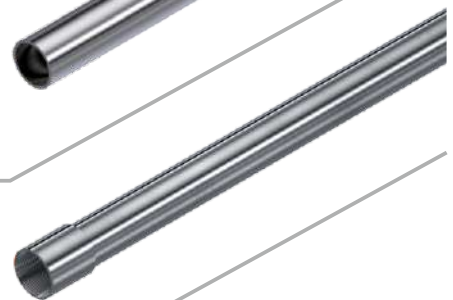
Оцинкованная стальная труба жесткая



## RSC Galvanised Steel Conduits (threaded ends)




Galvaniz RSC boru, dişli

Оцинкованная стальная труба с наружной резьбой



## Flexible Steel Conduits

Çelik Spiral Boru - Металрукас

Specification									
<b>Material</b>		Galvanized Steel	Galvanized Steel	PVC Coated Galvanized Steel	PVC Coated Galvanized Steel	Nickel Plated Brass	Nickel Plated Brass	Nickel Plated Brass	Casting
<b>Compression Ressitance</b>		320 Newton / 60sec	320 Newton / 60sec	320 Newton / 60sec	320 Newton / 60sec				
<b>IP rating</b>		IP40	IP40	IP54	IP54	IP54	IP65		IP65
<b>Temperature Ressitance</b>		-20 C / +220C	-20 C / +220 C	-20 C / +70 C	-20 C / +70 C	-20 C / +250 C	-20 C / +250 C		-20 C / +250 C
<b>Color Options</b>				Black	Black				
Size ID mm	inch	Codes ( Conduits ) in meters				Codes ( Fittings ) in metric			
9		CSB 9		PSB 9		RSM 9			
10	1/4"	CSB 10		PSB 10		RSM 10	LRSB 10	M12x1.5	EKFL GZ 038
11		CSB 11		PSB 11		RSM 11			
12	3/8"	CSB 12		PSB 12		RSM 12	LRSB 12	M16x1.5	
14		CSB 14	CSB 14 T	PSB 14	PSB 14 T	RSM 14			
16	1/2"	CSB 16	CSB 16 T	PSB 16	PSB 16 T	RSM 16	LRSB 16	M20x1.5	EKFL GZ 050
18		CSB 18	CSB 18 T	PSB 18	PSB 18 T	RSM 18			
21	3/4"	CSB 21	CSB 21 T	PSB 21	PSB 21 T	RSM 21	LRSB 21	M25x1.5	EKFL GZ 075
26	1"	CSB 26	CSB 26 T	PSB 26	PSB 26 T	RSM 26	LRSB 26	M32x1.5	EKFL GZ 100
29		CSB 29	CSB 29 T	PSB 29	PSB 29 T	RSM 29			
32		CSB 32	CSB 32 T	PSB 32	PSB 32 T	RSM 32			
35	1 1/4"	CSB 35	CSB 35 T	PSB 35	PSB 35 T	RSM 35	LRSB 35	M40x1.5	EKFL GZ 125
37		CSB 37	CSB 37 T	PSB 37	PSB 37 T	RSM 37			
40	1 1/2"	CSB 40	CSB 40 T	PSB 40	PSB 40 T	RSM 40	LRSB 40	M50x1.5	EKFL GZ 150
42		CSB 42	CSB 42 T	PSB 42	PSB 42 T				
45		CSB 45	CSB 45 T	PSB 45	PSB 45 T				
51	2"	CSB 51	CSB 51 T	PSB 51	PSB 51 T	RSM 51	LRSB 51	M63x1.5	EKFL GZ 200
63	2 1/2"	CSB 63	CSB 63 T	PSB 63	PSB 63 T	RSM 63	LRSB 63	M75x1.5	

PKL



Order code, metric	Nominal Conduit size		Metric Thread	Clamping range, D, mm
	metric, mm	Inch Size		
PKL 10	10	1/4"	M6	12-16
PKL 13	13	3/8"	M6	16-20
PKL 16	16	1/2"	M6	20-25
PKL 21	21	3/4"	M6	25-30
PKL 26	26	1"	M6	31-38
PKL 35	35	1 1/4"	M6	38-45
PKL 40	40	1 1/2"	M6	45-52
PKL 51	51	2"	M6	59-66
PKL 63	63	2 1/2"	M6	75-84

EMT TK



CODE	EMT, Size	Inside D,mm	Flexible Conduit	Hole Ød, mm
EMT TK 050	1/2"	17,90	PSB 14 / CSB 14	6,5
EMT TK 075	3/4"	23,42	PSB 18 / CSB 21	6,5
EMT TK 100	1"	29,54	CSB 26	8
EMT TK 125	1 1/4"	38,35	PSB 32 / CSB 35	8
EMT TK 150	1 1/2"	44,2	PSB 37 / CSB 40	8
EMT TK 200	2"	55,8	PSB 51/CSB 51	11
RSC, Size				
RSC TK 050	1/2"	21,34	PSB 16 / CSB 18	6
RSC TK 075	3/4"	26,67	PSB 21	6
RSC TK 100	1"	33,4	PSB 26 / CSB 29	8
RSC TK 125	1 1/4"	42,16	PSB 35 / CSB 37	9
RSC TK 150	1 1/2"	48,26	PSB 42 / CSB 45	11
RSC TK 200	2"	60,33		14


EMT CK



CODE	EMT, Size	Inside D,mm	Flexible Conduit	Hole Ød, mm
EMT CK 050	1/2"	17,93	PSB 14 / CSB 14	5
EMT CK 075	3/4"	23,42	PSB 18 / CSB 21	5
EMT CK 100	1"	29,54	CSB 26	5
EMT CK 125	1 1/4"	38,35	PSB 32 / CSB 35	7
EMT CK 150	1 1/2"	44,2	PSB 37 / CSB 40	7
EMT CK 200	2"	55,8	PSB 51/CSB 51	9
RSC, Size				
RSC CK 050	1/2"	21,34	PSB 16 / CSB 18	5
RSC CK 075	3/4"	26,67	PSB 21	5
RSC CK 100	1"	33,4	PSB 26 / CSB 29	7
RSC CK 125	1 1/4"	42,16	PSB 35 / CSB 37	7
RSC CK 150	1 1/2"	48,26	PSB 42 / CSB 45	9
RSC CK 200	2"	60,33		9


## PVC Spiral Pipe Flame-retardant

PVC Spiral boru - Гофрированная труба из ПВХ

Specification					
<b>Material</b>		PVC based Thermoplastic			
<b>Compression Ressitance</b>		320 Newton / 60sec	320 Newton / 60sec	750 Newton / 60sec	750 Newton / 60sec
<b>Flame Retardant</b>		Flame Redant			
<b>Temperature Ressitance</b>		-25 C/ +60 C	-25 C/ +60 C	-25 C/ +60 C	-25 C/ +60 C
<b>Color Options</b>		Ral 7035; Ral 7031; Ral 2004; Ral 9003; Ral 9005			
Size ID mm	in rol, meter	Codes ( Conduits )			
16	100	SC1 016	SC1 116	SC3 016	SC3 116
20	100	SC1 020	SC1 120	SC3 020	SC3 120
25	50	SC1 025	SC1 125	SC3 025	SC3 125
32	50	SC1 032	SC1 132	SC3 032	SC3 132
40	50	SC1 040	SC1 140	SC3 040	SC3 140
50	25	SC1 050	SC1 150	SC3 050	SC3 150
63	15	SC1 063	SC1 163	SC3 063	SC3 163

## PE Spiral Pipe Halogen Free

PE Spiral boru - Гофрированная труба из полуютилена

Specification							
<b>Material</b>		PE based Thermoplastic					
<b>Compression Ressitance</b>		125 Newton / 60sec	125 Newton / 60sec	320 Newton / 60sec	320 Newton / 60sec	750 Newton / 60sec	750 Newton / 60sec
<b>Flame Retardant</b>		Halogen Free					
<b>Temperature Ressitance</b>		-25 C/ +60 C	-25 C/ +60 C	-25 C/ +60 C	-25 C/ +60 C	-25 C/ +60 C	-25 C/ +60 C
<b>Color Options</b>		Ral 2004; Ral 7031; Ral 7035; Ral 9003; Ral 9005					
Size ID mm	in rol, meter	Codes ( Conduits )					
16	100	HFO 016	HFO 116	HF1 016	HF1 116	HF3 016	HF3 116
20	100	HFO 020	HFO 120	HF1 020	HF1 120	HF3 020	HF3 120
25	50	HFO 025	HFO 125	HF1 025	HF1 125	HF3 025	HF3 125
32	50	HFO 032	HFO 132	HF1 032	HF1 132	HF3 032	HF3 132
40	50	HFO 040	HFO 140	HF1 040	HF1 140	HF3 040	HF3 140
50	25	HFO 050	HFO 150	HF1 050	HF1 150	HF3 050	HF3 150

### Spiral Pipe Coupling Halogen Free



Order code	Ø
GFS-16-S	16
GFS-20-S	20
GFS-25-S	25
GFS-32-S	32

### Spiral Pipe Coupling Halogen Free



Order code	Ø
CFS-16-PP	16
CFS-20-PP	20
CFS-25-PP	25
CFS-32-PP	32

### Tweezers clip



Order code
CMK 8/28
CMK 3/13

### Stick clip double



Order code
CFK 20
CFK 25

## PA6 Polyamid Spiral Pipes

PA6 Spiral boru - Гофрированная труба из полиамида

Specification		UL 94 DIN EN ISO 8580	UL 94 DIN EN ISO 8580	METRIC THREAD		
<b>Material</b>	PA6 Polyamid- HF		Polyamid PA6	Polyamid PA6	Polyamid PA6	
<b>Permanent Vibration</b>	DIN 55442, high flexibility	Flame-retardant, UV	Flame-retardant	Flame-retardant	Flame-retardant	
<b>Flame Retardant</b>	V-DIN 75200 -HF	V-DIN 75200 -HF	Halogen Free	Halogen Free	Halogen Free	
<b>Compression Resistance</b>	750 Newton /60 sec	750 Newton /60 sec				
<b>Color Options</b>	Black-Grey (Ral 7031)					
Size ID mm	in rol, meter	Codes ( Conduits )				
5	100	PA6 5	PA6 Vo 5			
7	100	PA6 7	PA6 Vo 7	RPG 7	RM 7	CL 7
8.5	100	PA6 8.5	PA6 Vo 8.5	RPG 8.5	RM 8.5	CL 8.5
10	100	PA6 10	PA6 Vo 10	RPG 10	RM 10	CL 10
12	50	PA6 12	PA6 Vo 12	RPG 12	RM 12	CL 12
14	50	PA6 14	PA6 Vo 14	RPG 14	RM 14	CL 14
17	50	PA6 17	PA6 Vo 17	RPG 17	RM 17	CL 17
19	50	PA6 19	PA6 Vo 19			
22	50	PA6 22	PA6 Vo 22	RPG 22	RM 22	CL 22
23	50	PA6 23	PA6 Vo 23			
26	25	PA6 26	PA6 Vo 26			
29	25	PA6 29	PA6 Vo 29	RPG 29	RM 29	CL 29
36	25	PA6 36	PA6 Vo 36	RPG 36	RM 36	CL 36
48	25	PA6 48	PA6 Vo 48	RPG 48	RM 48	CL 48

## PVC Rigit Pipes Flame-retardant Cold Bendable

PVC Düz boru - Жесткая гладкостенная труба из ПВХ

Specification		Cold Bendable	Cold Bendable	Cold Bendable	Coupler	Clip
<b>Material</b>	PVC base termoplastic					
<b>Temperature Ressitance</b>	-25 C/ +60 C	-25 C/ +60 C	-25 C/ +60 C	-25 C/ +60 C	-25 C/ +60 C	-25 C/ +60 C
<b>Flame Retardant</b>	Flame-retardant					
<b>Compression Resistance</b>	320 Newton /60 sec	750 Newton /60 sec	1250 Newton /60 sec			
<b>Color Options</b>	RAL 7035, RAL 9003, RAL 9005			RAL 7035, RAL 9005		
Size ID mm	in rol, meter	Codes ( Conduits )				
16	102	SR1 316	SR2 316	SR3 316	GSS-16-PVC	CYS-16-PVC
20	102	SR1 320	SR2 320	SR3 320	GSS-20-PVC	CYS-20-PVC
25	75	SR1 325	SR2 325	SR3 325	GSS-25-PVC	CYS-25-PVC
32	51	SR1 332	SR2 332	SR3 332	GSS-32-PVC	CYS-32-PVC
40	51	SR1 340	SR2 340	SR3 340	GSS-40-PVC	CYS-40-PVC
50	30	SR1 350	SR2 350	SR3 350	GSS-50-PVC	CYS-50-PVC

PVC Elbow Bend Flame-retardant



CRA

PVC Elbow Bend 90°



ADS

PVC T Joint



TBS

## EMT Galvanised Steel Conduits

Galvaniz EMT boru - Оцинкованная стальная труба жесткая

Specification						Threaded Ends				
Material		Galvanized Steel	Galvanized Steel	Steel	Steel		Galvanized Steel	Galvanized Steel	Steel	
Size ID mm	inch	Codes ( Conduits )								
16	1/2"	EMT 050	EMT 90 050	MUF V 050	EK V 050	RSC 050	RSC 90 050	MUF 050		
21	3/4"	EMT 075	EMT 90 075	MUF V 075	EK V 075	RSC 075	RSC 90 075	MUF 075		
27	1"	EMT 100	EMT 90 100	MUF V 100	EK V 100	RSC 100	RSC 90 100	MUF 100		
35	1 1/4"	EMT 125	EMT 90 125	MUF V 125	EK V 125	RSC 125	RSC 90 125	MUF 125		
41	1 1/2"	EMT 150	EMT 90 150	MUF V 150	EK V 150	RSC 150	RSC 90 150	MUF 150		
53	2"	EMT 200	EMT 90 200	MUF V 200	EK V 200	RSC 200	RSC 90 200	MUF 200		

### Rigid Locknuts Steel



Order code,	Size ID	Inch Size
KSC 050	16	1/2"
KSC 075	21	3/4"
KSC 100	27	1"
KSC 125	31	1 1/4"
KSC 150	41	1 1/2"
KSC 200	53	2"

### Universal Strut Clamps with Bolt -For Conduits EMT/IMC/RSC -Steel



Order code,	Size ID	Inch Size
CPK 050	16	1/2"
CPK 075	21	3/4"
CPK 100	27	1"
CPK 125	31	1 1/4"
CPK 150	41	1 1/2"
CPK 200	53	2"

### Conduit Hangers, EMT/IMC/RIGID/CSB/PSB W/ Bolt & Nut - Steel



Order code,	Inch Size	Size ID	Flexible Conduit
BAK 050	1/2"	21,34	PSB - CSB 14/18
BAK 075	3/4"	26,67	PSB - CSB 21/26
BAK 100	1"	33,4	PSB - CSB 29/32
BAK 125	1 1/4"	42,16	PSB - CSB 35/40
BAK 150	1 1/2"	48,26	PSB - CSB 42/45
BAK 200	2"	60,33	PSB - CSB 51

### Conduit Bending Aluminum Conduit Benders

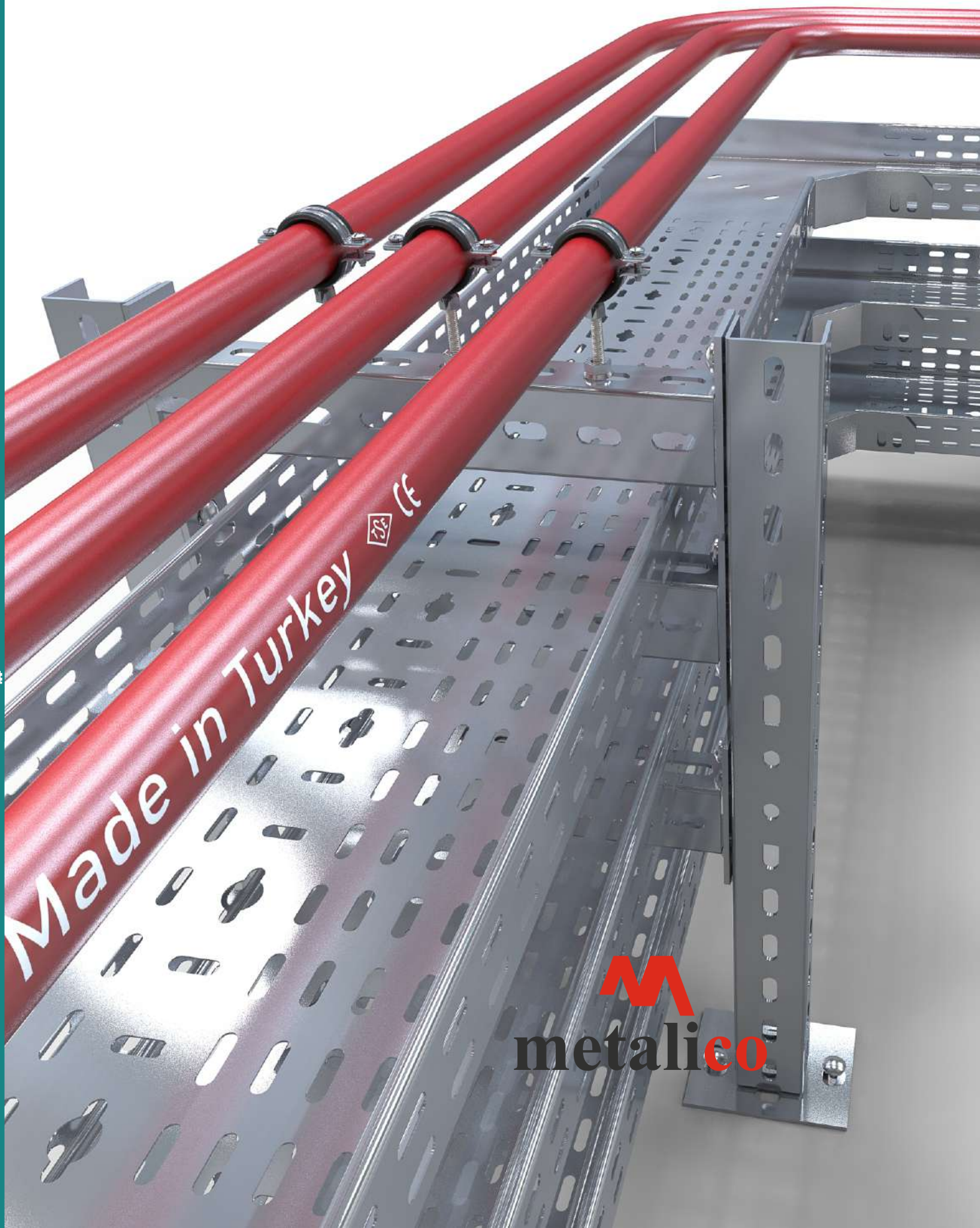


Order code	Suitable Pipe
Boru Bukme 050	1/2" EMT
Boru Bukme 075	3/4" EMT, 1/2" IMC/RSC
Boru Bukme 100	1" EMT, 3/4" IMC/RSC
Boru Bukme 125	1 1/4" EMT, 1" IMC/RSC

### Galvanized Steel Outlet Boxes

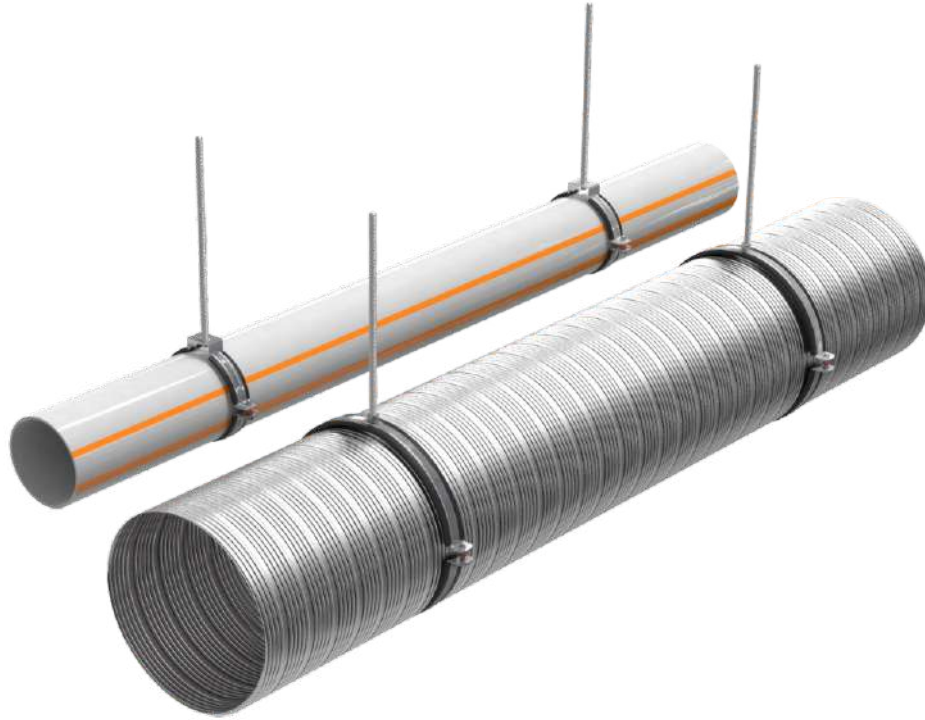


Order code,	Size mm
GKB 102 38	102x102x38
GKB 102 54	102x102x54
GKB 102	102x102



## Pipe Clamps - Boru Kelepçeleri

### Хомуты для труб



Pipe Clamps With Nut  
Somunlu Kelepçe



SK

Pipe Clamp With Nut Without Rubber  
Somunlu Kelepçe Lastiksiz



SKL

Pipe Clamp With Combi Nut  
Kombi Somunlu Kelepçe



KS

Pipe Clamp with Combi Nut without Rubber  
Kombi Somunlu Kelepçe Lastiksiz



KSL

Pipe Clamp with Triphone  
Trifonlu Kelepçe



TF

Pipe Clamp with Long Triphone  
Uzun Trifonlu Kelepçe



TU

Heavy Duty Pipe Clamp with Head  
Ağır Yük Kafalı Kelepçe



AK

Heavy Duty Pipe Clamp with Nut  
Ağır Yük Somunlu Kelepçe



AS

Sprinkler Pipe Clamp  
Sprinkler Kelepçe



SPR

Pvc Pipe Clamps  
Pvc Boru Kelepçeleri



PBK

Ventilation Pipe Clamps  
Somunlu Havalandırma Kelepçesi



HS

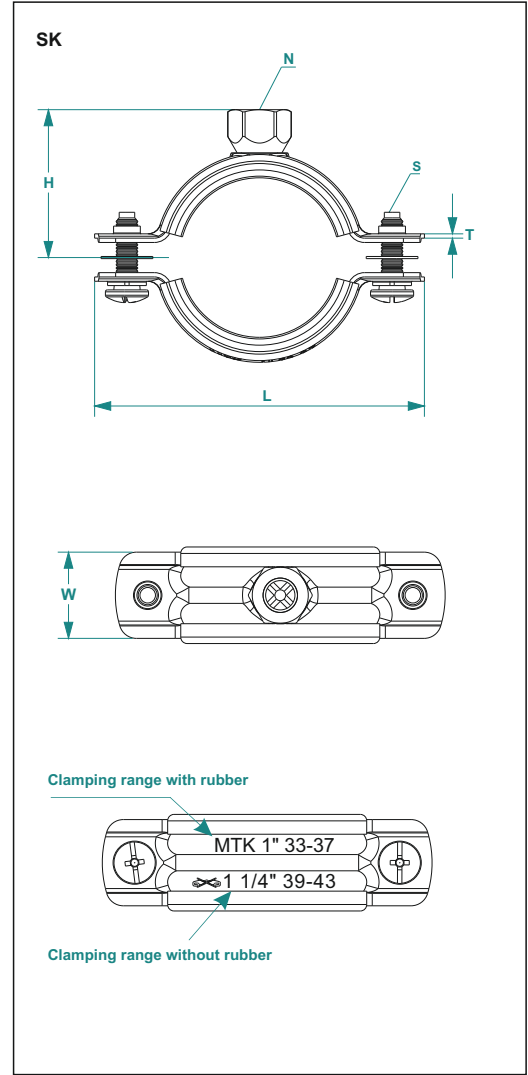
Sliding Hinge  
Kayar Mesnet



KM

## Pipe Clamp With Nut

Somunlu Kelerçe - Хомут для труб с гайкой



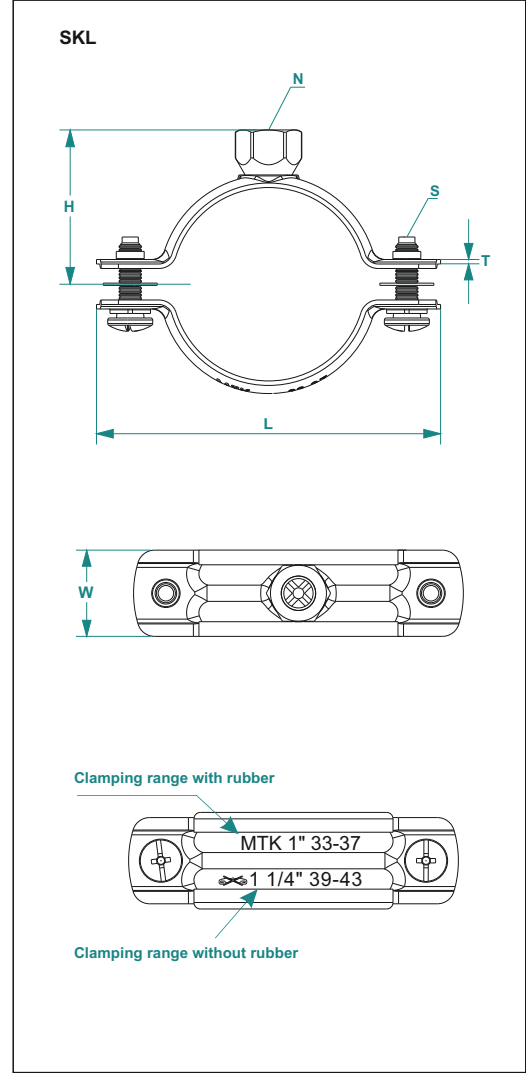
### SK

ÜRÜN KODU CODE	ÖLÇÜ SIZE	SIKMA ARALIĞI CLAMPING RANGE (mm)	UZUNLUK LENGTH (L) (mm)	YÜKSEKLİK HEIGHT (H) (mm)	SAC SHEET (TxW) (mm)	VİDA SCREW (S) (metric)	SOMUN NUT (N) (mm)	KOPMA YÜKÜ BREAKING LOAD (kN)	ÇALIŞMA YÜKÜ RECOMMENDED LOAD (kN)	KOLİDEKİ ADET QUANTITY PER BOX (kN)	KOLI AĞIRLIĞI WEIGHT PER BOX (ORTALAMA KG AVERAGE KG)
SK 006	1/8"	9 - 12	52,1	22,5	1x20	M5	M8	3,9	1,3	300	10,99
SK 008	1/4"	13 - 20	54,5	24	1x20	M5	M8	3,9	1,3	250	9,47
SK 010	3/8"	17 - 23	58,5	26	1x20	M5	M8	3,9	1,3	250	10,35
SK 015	1/2"	21 - 26	62,5	28	1x20	M5	M8	3,9	1,3	200	8,56
SK 020	3/4"	26 - 30	68,5	31	1x20	M5	M8	3,9	1,3	150	7,2
SK 025	1"	33 - 37	76	34,5	1x20	M5	M8	3,9	1,3	150	8,02
SK 032	1 1/4"	40 - 46	91,5	39	1,2x20	M5	M8	4,8	1,6	100	6,68
SK 040	1 1/2"	48 - 53	99	42,5	1,2x20	M5	M8	4,8	1,6	75	5,61
SK 047	53-59	53 - 59	105	45,5	1,2x20	M5	M8	4,8	1,6	75	5,86
SK 050	2"	60 - 66	112	49	1,2x20	M5	M8	4,8	1,6	50	4,29
SK 060	67-77	67 - 77	126	56	1,5x25	M6	M10	6,9	2,3	40	5,68
SK 065	2 1/2"	75 - 84	134	60	1,5x25	M6	M10	6,9	2,3	40	6,03
SK 075	83-93	83 - 93	142	64	1,5x25	M6	M10	6,9	2,3	40	6,44
SK 080	3"	87 - 96	145	65,5	1,5x25	M6	M10	6,9	2,3	40	6,61
SK 085	94-104	94 - 104	153	69,5	1,5x25	M6	M10	6,9	2,3	30	5,3
SK 095	102-111	102 - 111	161	73,5	1,5x25	M6	M10	6,9	2,3	40	7,5
SK 100	4"	109 - 119	170	78	1,5x25	M6	M10	6,9	2,3	30	5,88
SK 110	122-135	122 - 135	184	84,5	2x25	M6	M10	7,8	2,6	30	7,8
SK 120	128-139	128 - 139	190	87,5	2x25	M6	M10	7,8	2,6	30	7,93
SK 125	5"	135 - 148	197	91	2x25	M6	M10	7,8	2,6	25	6,98
SK 140	151-164	151 - 164	213	99	2x25	M6	M10	7,8	2,6	25	7,55
SK 150	6"	158 - 170	222	103,5	2x25	M6	M10	7,8	2,6	20	6,3
SK 180	194-205	194 - 205	257	121	2x25	M6	M12	7,8	2,6	15	5,65
SK 200	8"	214 - 224	272	130	2x25	M6	M12	7,8	2,6	15	6



## Pipe Clamp Without Rubber

Somunlu Keleççe Lastiksiz - Хомут для труб с гайкой без резины

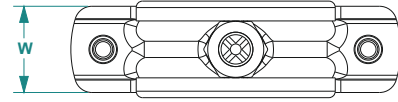
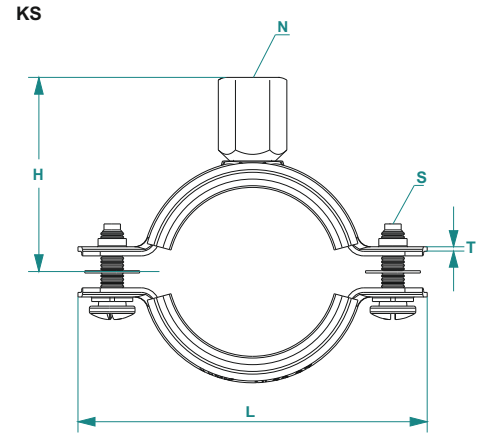


## SKL

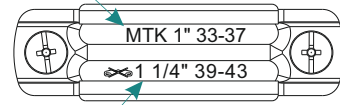
ÜRÜN KODU CODE	ÖLÇÜ SIZE	SIKMA ARALIĞI CLAMPING RANGE (mm)	UZUNLUK LENGTH (L) (mm)	YÜKSEKLİK HEIGHT (H) (mm)	SAC SHEET (TxW) (mm)	VİDA SCREW (S) (metric)	SOMUN NUT (N) (mm)	KOPMA YÜKÜ BREAKING LOAD (kN)	ÇALIŞMA YÜKÜ RECOMMENDED LOAD (kN)	KOLİDEKİ ADET QUANTITY PER BOX (kN)	KOLİ AĞIRLIĞI WEIGHT PER BOX (ORTALAMA KG AVERAGE KG)
SKL 010	3/8"	15 - 20	52,1	22,5	1x20	M5	M8	3,9	1,3	300	9,06
SKL 015	1/2"	19 - 23	54,5	24	1x20	M5	M8	3,9	1,3	250	7,87
SKL 017	23-28	23 - 28	58,5	26	1x20	M5	M8	3,9	1,3	150	5,117
SKL 020	3/4"	26 - 30	62,5	28	1x20	M5	M8	3,9	1,3	200	7,054
SKL 025	1"	32 - 35	68,5	31	1x20	M5	M8	3,9	1,3	200	7,574
SKL 032	1 1/4"	39 - 43	76	34,5	1x20	M5	M8	3,9	1,3	150	6,281
SKL 040	1 1/2"	45 - 51	91,5	39	1,2x20	M5	M8	4,8	1,6	100	5,317
SKL 047	54-58	54 - 58	99	42,5	1,2x20	M5	M8	4,8	1,6	100	5,769
SKL 050	2"	60 - 65	105	45,5	1,2x20	M5	M8	4,8	1,6	100	6,108
SKL 060	67-71	67 - 71	112	49	1,2x20	M5	M8	4,8	1,6	75	5,067
SKL 065	2 1/2"	74 - 82	126	56	1,5x25	M6	M10	6,9	2,3	50	6,035
SKL 075	82-89	82 - 89	134	60	1,5x25	M6	M10	6,9	2,3	50	6,4
SKL 080	3"	91 - 98	142	64	1,5x25	M6	M10	6,9	2,3	50	6,768
SKL 085	93-101	93 - 101	145	65,5	1,5x25	M6	M10	6,9	2,3	50	7,08
SKL 095	102-109	102 - 109	153	69,5	1,5x25	M6	M10	6,9	2,3	50	7,45
SKL 100	4"	109 - 117	161	73,5	1,5x25	M6	M10	6,9	2,3	50	7,636
SKL 110	116-125	116 - 125	170	78	1,5x25	M6	M10	6,9	2,3	50	8,055
SKL 120	129-141	129 - 141	184	84,5	2x25	M6	M10	7,8	2,6	50	10,913
SKL 125	5"	136 - 146	190	87,5	2x25	M6	M10	7,8	2,6	40	9,082
SKL 140	142-154	142 - 154	197	91	2x25	M6	M10	7,8	2,6	25	5,994
SKL 150	6"	158 - 169	213	99	2x25	M6	M10	7,8	2,6	30	7,656
SKL 180	166-177	166 - 177	222	103,5	2x25	M6	M10	7,8	2,6	20	5,445
SKL 190	201-212	201 - 212	257	121	2x25	M6	M12	7,8	2,6	15	4,787
SKL 200	8"	219 - 229	272	130	2x25	M6	M12	7,8	2,6	15	4,9993

## Pipe Clamp With Combi Nut

*Kombi Somunlu Kelerçe - Хомут для труб с комбинированной гайкой*



Clamping range with rubber



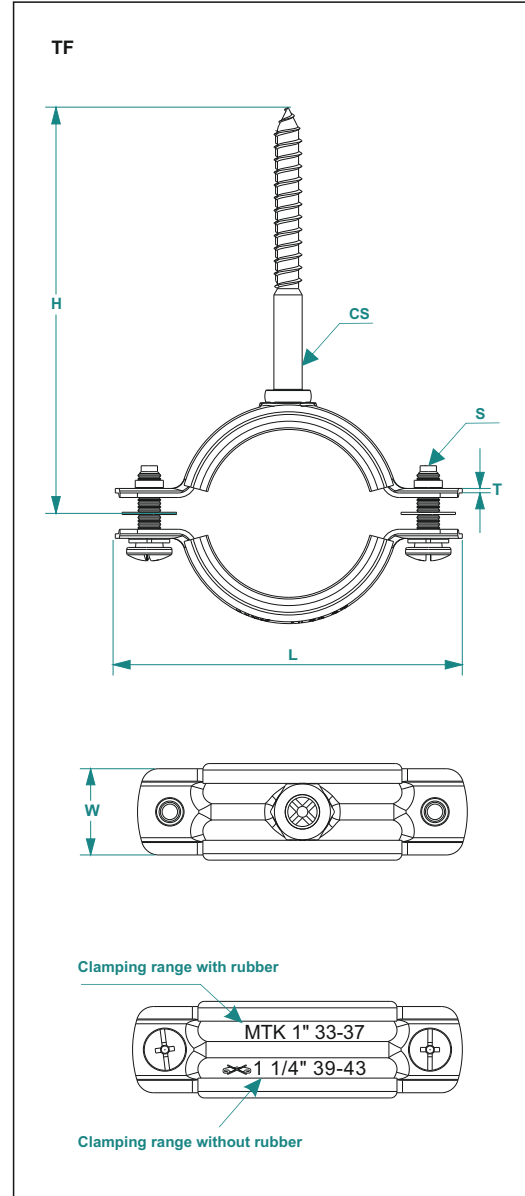
Clamping range without rubber

### KS

ÜRÜN KODU CODE	ÖLÇÜ SIZE	SIKMA ARALIĞI CLAMPING RANGE (mm)	UZUNLUK LENGTH (L) (mm)	YÜKSEKLİK HEIGHT (H) (mm)	SAC SHEET (TxW) (mm)	VİDA SCREW (S) (metric)	SOMUN NUT (N) (mm)	KOPMA YÜKÜ BREAKING LOAD (kN)	ÇALIŞMA YÜKÜ RECOMMENDED LOAD (kN)	KOLİDEKİ ADET QUANTITY PER BOX (kN)	KOLI AĞIRLIĞI WEIGHT PER BOX (ORTALAMA KG AVERAGE KG)
KS 006	1/8"	9 - 12	52,1	30,5	1x20	M5	M8 / M10	3,9	1,3	250	10,27
KS 008	1/4"	13 - 20	54,5	32	1x20	M5	M8 / M10	3,9	1,3	250	10,58
KS 010	3/8"	17 - 23	58,5	34	1x20	M5	M8 / M10	3,9	1,3	250	11,22
KS 015	1/2"	21 - 26	62,5	36	1x20	M5	M8 / M10	3,9	1,3	200	9,5
KS 020	3/4"	26 - 30	68,5	39	1x20	M5	M8 / M10	3,9	1,3	150	7,87
KS 025	1"	33 - 37	76	42,5	1x20	M5	M8 / M10	3,9	1,3	150	8,65
KS 032	1 1/4"	40 - 46	91,5	47	1,2x20	M5	M8 / M10	4,8	1,6	100	7,03
KS 040	1 1/2"	48 - 53	99	50,5	1,2x20	M5	M8 / M10	4,8	1,6	75	5,82
KS 047	53-59	53 - 59	105	53,5	1,2x20	M5	M8 / M10	4,8	1,6	75	6,34
KS 050	2"	60 - 66	112	57	1,2x20	M5	M8 / M10	4,8	1,6	50	4,46
KS 060	67-77	67 - 77	126	62	1,5x25	M6	M8 / M10	6,9	2,3	40	5,71
KS 065	2 1/2"	75 - 84	134	66	1,5x25	M6	M8 / M10	6,9	2,3	40	5,85
KS 075	83-93	83 - 93	142	70	1,5x25	M6	M8 / M10	6,9	2,3	40	6,43
KS 080	3"	87 - 96	145	71,5	1,5x25	M6	M8 / M10	6,9	2,3	40	6,6
KS 085	94-104	94 - 104	153	75,5	1,5x25	M6	M8 / M10	6,9	2,3	30	5,3
KS 095	102-111	102 - 111	161	79,5	1,5x25	M6	M8 / M10	6,9	2,3	40	7,82
KS 100	4"	109 - 119	170	84	1,5x25	M6	M8 / M10	6,9	2,3	30	5,78
KS 110	122-135	122 - 135	184	90,5	2x25	M6	M8 / M10	7,8	2,6	30	8,3
KS 120	128-139	128 - 139	190	93,5	2x25	M6	M8 / M10	7,8	2,6	30	8,523
KS 125	5"	135 - 148	197	97	2x25	M6	M8 / M10	7,8	2,6	25	6,88
KS 140	151-164	151 - 164	213	105	2x25	M6	M8 / M10	7,8	2,6	25	8,0423
KS 150	6"	158 - 170	222	109,5	2x25	M6	M8 / M10	7,8	2,6	20	6,18
KS 180	194-205	194 - 205	257	127	2x25	M6	M8 / M10	7,8	2,6	15	5,5
KS 200	8"	214 - 224	272	136	2x25	M6	M8 / M10	7,8	2,6	15	5,94

## Pipe Clamp With Triphone

Trifonlu Kelerçe - Хомут для труб с шурупом



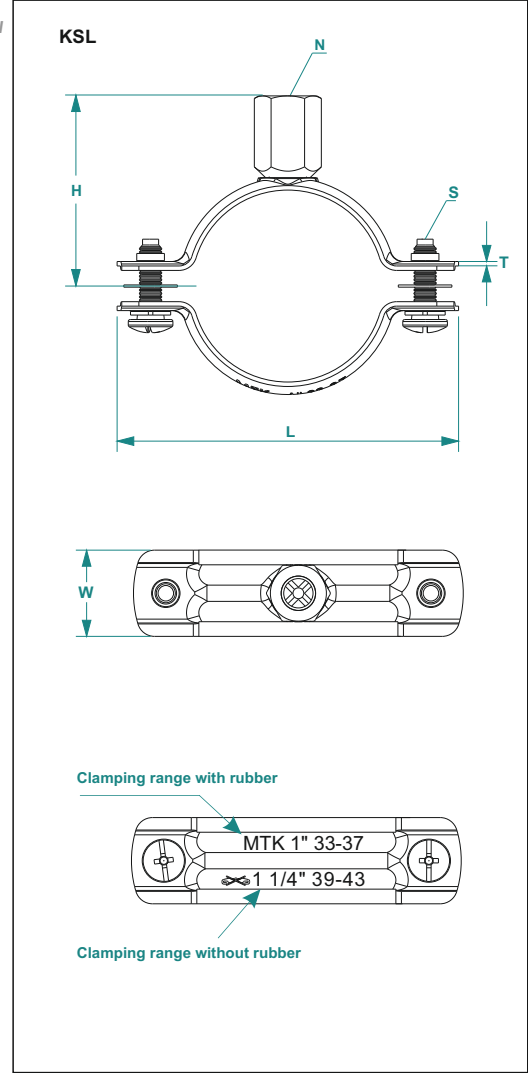
### TF

ÜRÜN KODU CODE	ÖLÇÜ SIZE	SIKMA ARALIĞI CLAMPING RANGE (mm)	UZUNLUK LENGTH (L) (mm)	YÜKSEKLİK HEIGHT (H) (mm)	SAC SHEET (TxW) (mm)	VİDA SCREW (S) (metric)	TRIFON COACH SCREW (CS) (mm)	KOPMA YÜKÜ BREAKING LOAD (kN)	ÇALIŞMA YÜKÜ RECOMMENDED LOAD (kN)	KOLİDEKİ ADET QUANTITY PER BOX (kN)	KOLI AĞIRLIĞI WEIGHT PER BOX (ORTALAMA KG AVERAGE KG)
TF 006	1/8"	9 - 12	52,1	82	1x20	M5	Ø7x70	3,9	1,3	200	8,97
TF 008	1/4"	13 - 20	54,5	84	1x20	M5	Ø7x70	3,9	1,3	200	9,45
TF 010	3/8"	17 - 23	58,5	86	1x20	M5	Ø7x70	3,9	1,3	150	7,24
TF 015	1/2"	21 - 26	62,5	88	1x20	M5	Ø7x70	3,9	1,3	150	7,71
TF 020	3/4"	26 - 30	68,5	91	1x20	M5	Ø7x70	3,9	1,3	125	7
TF 025	1"	33 - 37	76	94,5	1x20	M5	Ø7x70	3,9	1,3	100	6,2
TF 032	1 1/4"	40 - 46	91,5	99	1,2x20	M5	Ø7x70	4,8	1,6	75	5,53
TF 040	1 1/2"	48 - 53	99	102,5	1,2x20	M5	Ø7x70	4,8	1,6	50	4,2
TF 047	53-59	53 - 59	105	105,5	1,2x20	M5	Ø7x70	4,8	1,6	50	4,46
TF 050	2"	60 - 66	112	109	1,2x20	M5	Ø7x70	4,8	1,6	50	4,66
TF 060	67-77	67 - 77	126	114	1,5x25	M6	Ø7x70	6,9	2,3	20	3,21
TF 065	2 1/2"	75 - 84	134	118	1,5x25	M6	Ø7x70	6,9	2,3	25	3,87
TF 075	83-93	83 - 93	142	122	1,5x25	M6	Ø7x70	6,9	2,3	20	3,361
TF 080	3"	87 - 96	145	123,5	1,5x25	M6	Ø7x70	6,9	2,3	20	3,37
TF 085	94-104	94 - 104	153	127,5	1,5x25	M6	Ø7x70	6,9	2,3	20	3,927
TF 095	102-111	102 - 111	161	131,5	1,5x25	M6	Ø7x70	6,9	2,3	15	2,94
TF 100	4"	109 - 119	170	136	1,5x25	M6	Ø7x70	6,9	2,3	15	3,05
TF 110	122-135	122 - 135	184	142,5	2x25	M6	Ø7x70	7,8	2,6	15	3,94



## Pipe Clamp With Combi Nut Without Rubber

Kombi Somunlu Kelerçe Lastiksiz - Хомут для труб с комбинированной гайкой без резины

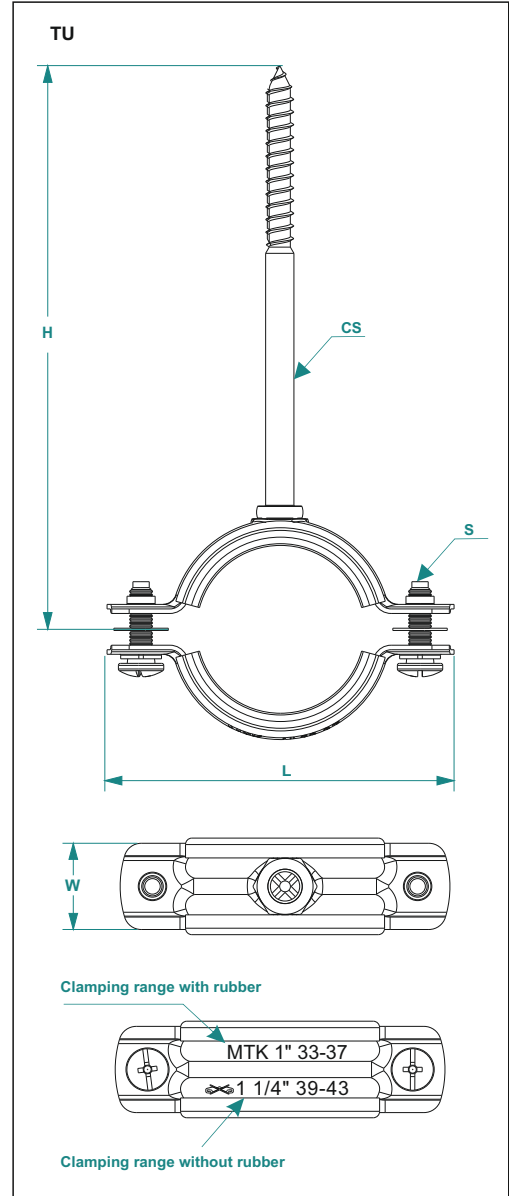


### KSL

ÜRÜN KODU CODE	ÖLÇÜ SIZE	SIKMA ARALIĞI CLAMPING RANGE (mm)	UZUNLUK LENGTH (L) (mm)	YÜKSEKLİK HEIGHT (H) (mm)	SAC SHEET (TxW) (mm)	VİDA SCREW (S) (metric)	SOMUN NUT (N) (mm)	KOPMA YÜKÜ BREAKING LOAD (kN)	ÇALIŞMA YÜKÜ RECOMMENDED LOAD (kN)	KOLİDEKİ ADET QUANTITY PER BOX (kN)	KOLI AĞIRLIĞI WEIGHT PER BOX (ORTALAMA KG AVERAGE KG)
KSL 010	3/8"	15 - 20	52,1	30,5	1x20	M5	M8 / M10	3,9	1,3	300	11,16
KSL 015	1/2"	19 - 23	54,5	32	1x20	M5	M8 / M10	3,9	1,3	250	8,943
KSL 017	23-28	23 - 28	58,5	34	1x20	M5	M8 / M10	3,9	1,3	150	5,76
KSL 020	3/4"	26 - 30	62,5	36	1x20	M5	M8 / M10	3,9	1,3	200	7,912
KSL 025	1"	32 - 35	68,5	39	1x20	M5	M8 / M10	3,9	1,3	200	8,432
KSL 032	1 1/4"	39 - 43	76	42,5	1x20	M5	M8 / M10	3,9	1,3	150	6,924
KSL 040	1 1/2"	45 - 51	91,5	47	1,2x20	M5	M8 / M10	4,8	1,6	100	5,746
KSL 047	54-58	54 - 58	99	50,5	1,2x20	M5	M8 / M10	4,8	1,6	100	6,198
KSL 050	2"	60 - 65	105	53,5	1,2x20	M5	M8 / M10	4,8	1,6	100	6,537
KSL 060	67-71	67 - 71	112	57	1,2x20	M5	M8 / M10	4,8	1,6	50	3,592
KSL 065	2 1/2"	74 - 82	126	62	1,5x25	M6	M8 / M10	6,9	2,3	50	5,856
KSL 075	82-89	82 - 89	134	66	1,5x25	M6	M8 / M10	6,9	2,3	50	6,221
KSL 080	3"	91 - 98	142	70	1,5x25	M6	M8 / M10	6,9	2,3	50	6,589
KSL 085	93-101	93 - 101	145	71,5	1,5x25	M6	M8 / M10	6,9	2,3	30	4,141
KSL 095	102-109	102 - 109	153	75,5	1,5x25	M6	M8 / M10	6,9	2,3	30	4,361
KSL 100	4"	109 - 117	161	79,5	1,5x25	M6	M8 / M10	6,9	2,3	50	7,457
KSL 110	116-125	116 - 125	170	84	1,5x25	M6	M8 / M10	6,9	2,3	50	7,88
KSL 120	129-141	129 - 141	184	90,5	2x25	M6	M8 / M10	7,8	2,6	50	10,734
KSL 125	5"	136 - 146	190	93,5	2x25	M6	M8 / M10	7,8	2,6	40	8,939
KSL 140	142-154	142 - 154	197	97	2x25	M6	M8 / M10	7,8	2,6	25	5,904
KSL 150	6"	158 - 169	213	105	2x25	M6	M8 / M10	7,8	2,6	30	7,549
KSL 180	166-177	166 - 177	222	109,5	2x25	M6	M8 / M10	7,8	2,6	20	5,374
KSL 190	201-212	201 - 212	257	127	2x25	M6	M8 / M10	7,8	2,6	15	4,734
KSL 200	8"	219 - 229	272	136	2x25	M6	M8 / M10	7,8	2,6	15	4,946

## Pipe Clamp With Triphone

Uzun Trifonlu Kelerçe - Хомут для труб с длинным шурупом

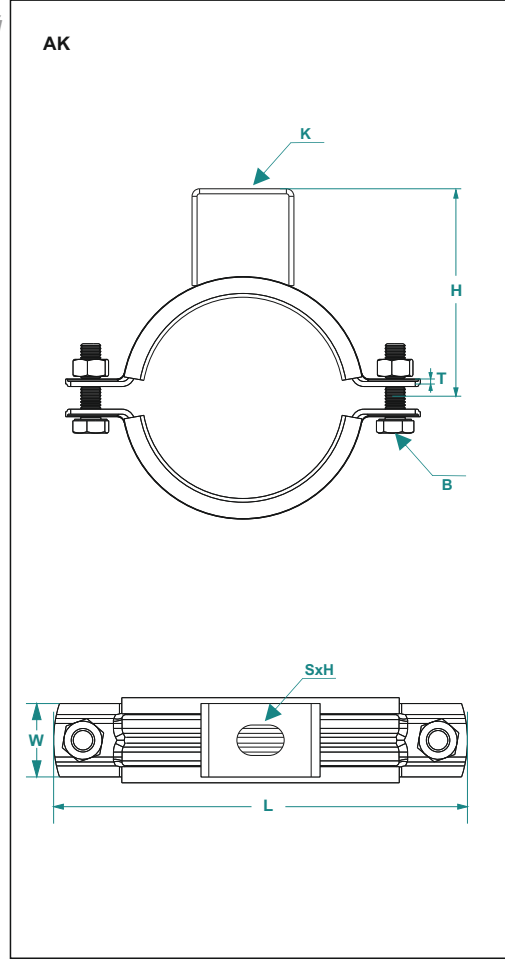


### TU

ÜRÜN KODU CODE	ÖLÇÜ SIZE	SIKMA ARALIĞI CLAMPING RANGE	UZUNLUK LENGTH	YÜKSEKLİK HEIGHT	SAC SHEET	VİDA SCREW	TRIFON COACH SCREW	KOPMA YÜKÜ BREAKING	ÇALIŞMA YÜKÜ RECOMMENDED	KOLİDEKİ ADET QUANTITY	KOLİ AĞIRLIĞI WEIGHT PER BOX
		(mm)	(L) (mm)	(H) (mm)	(TxW) (mm)	(S) (metric)	(CS) (mm)	(kN)	(kN)	(kN)	(ORTALAMA KG AVERAGE KG)
TU 006	1/8"	9 - 12	52,1	112,5	1x20	M5	Ø7x100	3,9	1,3	150	7,8
TU 008	1/4"	13 - 20	54,5	114	1x20	M5	Ø7x100	3,9	1,3	150	7,707
TU 010	3/8"	17 - 23	58,5	116	1x20	M5	Ø7x100	3,9	1,3	150	8,169
TU 015	1/2"	21 - 26	62,5	118	1x20	M5	Ø7x100	3,9	1,3	150	8,65
TU 020	3/4"	26 - 30	68,5	121	1x20	M5	Ø7x100	3,9	1,3	100	6,4
TU 025	1"	33 - 37	76	124,5	1x20	M5	Ø7x100	3,9	1,3	75	5,21
TU 032	1 1/4"	40 - 46	91,5	129	1,2x20	M5	Ø7x100	4,8	1,6	50	4,15
TU 040	1 1/2"	48 - 53	99	132,5	1,2x20	M5	Ø7x100	4,8	1,6	50	4,58
TU 047	53-59	53 - 59	105	135,5	1,2x20	M5	Ø7x100	4,8	1,6	50	4,96
TU 050	2"	60 - 66	112	139	1,2x20	M5	Ø7x100	4,8	1,6	40	4,1
TU 060	67-77	67 - 77	126	144	1,5x25	M6	Ø7x100	6,9	2,3	25	4,102
TU 065	2 1/2"	75 - 84	134	148	1,5x25	M6	Ø7x100	6,9	2,3	20	3,28
TU 075	83-93	83 - 93	142	152	1,5x25	M6	Ø7x100	6,9	2,3	20	3,765
TU 080	3"	87 - 96	145	153,5	1,5x25	M6	Ø7x100	6,9	2,3	20	3,6
TU 085	94-104	94 - 104	153	157,5	1,5x25	M6	Ø7x100	6,9	2,3	20	4,061
TU 095	102-111	102 - 111	161	161,5	1,5x25	M6	Ø7x100	6,9	2,3	15	3,275
TU 100	4"	109 - 119	170	166	1,5x25	M6	Ø7x100	6,9	2,3	15	3,15
TU 110	122-135	122 - 135	184	172,5	2x25	M6	Ø7x100	7,8	2,6	15	4,09

## Heavy Duty Pipe Clamp with Head

Ağır Yük Kafalı Kelerçe - Хомут усиленный с приваренной головкой

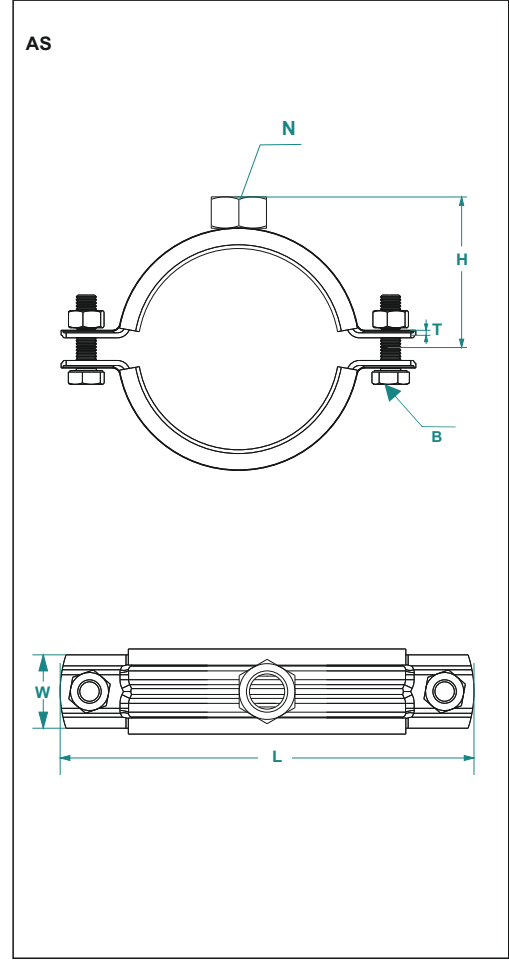


### AK

ÜRÜN KODU CODE	ÖLÇÜ SIZE	SIKMA ARALIĞI CLAMPING RANGE	UZUNLUK LENGTH (L) (mm)	YÜKSEKLİK HEIGHT (H) (mm)	SAC SHEET (TxW) (mm)	KAFA PARÇASI HEAD (K) (mm)	SLOT DELİĞİ SLOT HOLE (SxH) (mm)	CIVATA BOLT (B) (metric)	KOPMA YÜKÜ BREAKING LOAD (kN)	ÇALIŞMA YÜKÜ RECOMMENDED LOAD (kN)	KOLIDEKİ ADET QUANTITY PER BOX	KOLİ AĞIRLIĞI WEIGHT (ORTALAMA / AVARAGE) (kg)
AK 008	1/4"	12 - 17	75	40	2x25	2x25x40	10,5x14	M8 (6,8)	10	2,75	50	7,338
AK 015	1/2"	21 - 28	81	41	2x25	2x25x40	10,5x14	M8 (6,8)	10	2,75	50	7,77
AK 020	3/4"	25 - 32	87	42,5	2x25	2x25x40	10,5x14	M8 (6,8)	10	2,75	50	8,2
AK 025	1	33 - 40	94	49,5	2x25	2x25x40	10,5x14	M8 (6,8)	10	2,75	50	8,65
AK 032	1 1/4"	41 - 48	103	55	2x25	2x25x40	10,5x14	M8 (6,8)	10	2,75	40	7,25
AK 040	1 1/2"	48 - 46	111	59	2x25	2x25x40	10,5x14	M8 (6,8)	10	2,75	40	7,69
AK 047	53 - 59	53 - 59	120	63	2x25	2x25x40	10,5x14	M8 (6,8)	10	2,75	30	6,562
AK 050	2"	60 - 69	125	66	2x25	2x25x40	10,5x14	M8 (6,8)	10	2,75	30	6,33
AK 060	67 - 75	67 - 75	134	70	2x25	2x25x40	10,5x14	M8 (6,8)	10	2,75	25	7
AK 065	2 1/2"	75 - 81	141	74	2x25	2x25x40	10,5x14	M8 (6,8)	10	2,75	25	5,92
AK 075	83-91	83 - 91	149	78	2x25	2x25x40	10,5x14	M8 (6,8)	10	2,75	30	7,62
AK 080	3"	87 - 95	154	80	2x25	2x25x40	10,5x14	M8 (6,8)	10	2,75	30	7,56
AK 085	95 - 104	95 - 104	161	84,5	2x25	2x25x40	10,5x14	M8 (6,8)	10	2,75	25	7,201
AK 095	102 - 112	102 - 112	169	88,5	2,5x30	2,5x30x40	12x14	M8 (6,8)	14	3,75	25	10,141
AK 100	4"	109 - 119	178	93	2,5x30	2,5x30x40	12x14	M8 (6,8)	14	3,75	25	10,72
AK 110	122 - 138"	122 - 138	192	101	3x30	3x30x40	12x14	M10 (8,8)	20	6	10	5,7
AK 120	128 - 141	128 - 141	197	103,5	3x30	3x30x40	12x14	M10 (8,8)	20	6	10	5,99
AK 125	5"	136 - 147	204	107	3x30	3x30x40	12x14	M10 (8,8)	20	6	10	6,02
AK 140	153 - 164	153 - 164	220	115	3x30	3x30x40	12x14	M10 (8,8)	20	6	10	6,45
AK 150	6"	164 - 174	229	120	3x30	3x30x40	12x14	M10 (8,8)	20	6	10	6,79
AK 180	196 - 209	196 - 209	264	137	3x30	3x30x40	12x14	M10 (8,8)	20	6	20	15,2
AK 200	8"	214 - 226	279	145	4x30	4x30x40	12x14	M10 (8,8)	20	6	15	15,23
AK 240	240 - 250	240 - 250	310	170	4x30	4x40x40	12x14	M10 (8,8)	20	6	15	16
AK 250	10"	226 - 274	335	173	4x30	4x30x40	12x14	M10 (8,8)	20	6	15	18,455
AK 300	12"	308 - 324	400	184	4x40	4x40x40	12,5x23	M12 (8,8)	35	11,7	10	19,1
AK 350	14"	340 - 356	432	221	4x40	4x40x40	12,5x23	M12 (8,8)	35	11,7	8	16,78
AK 380	380 - 390	380 - 390	505	253	5x50	5x50x60	17x25	M16 (8,8)	37	13	5	18,1
AK 400	16"	393 - 409	537	265	5x50	5x50x60	17x25	M16 (8,8)	37	13	5	19,911
AK 450	18"	444 - 460	590	301	5x50	5x50x60	17x25	M16 (8,8)	37	13	5	21,91
AK 500	20"	497 - 512	645	325	5x50	5x50x60	17x25	M16 (8,8)	37	13	4	19,123

## Heavy Duty Pipe Clamp with Nut

Ağır Yük Somunlu Kelerçe - Хомут усиленный с гайкой



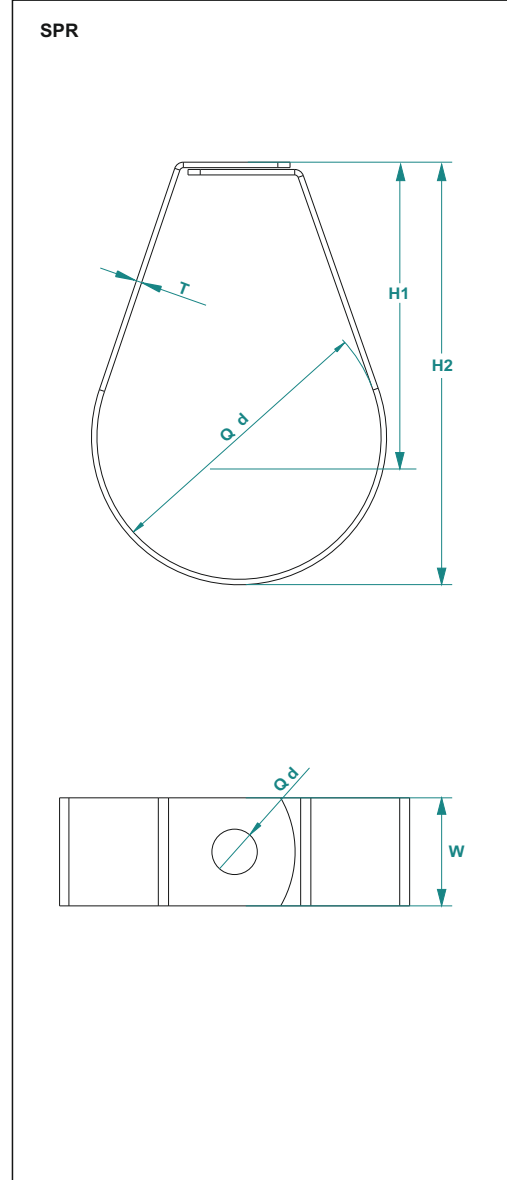
### AS

ÜRÜN KODU CODE	ÖLÇÜ SIZE	SIKMA ARALIĞI CLAMPING RANGE (mm)	UZUNLUK LENGTH (L) (mm)	YÜKSEKLİK HEIGHT (H) (mm)	SAC SHEET (TxW) (mm)	SOMUN NUT (N) (metric)	CIVATA BOLT (B) (metric)	KOPMA YÜKÜ BREAKING LOAD (kN)	ÇALIŞMA YÜKÜ RECOMMENDED LOAD (kN)	KOLİDEKİ ADET QUANTITY PER BOX	KOLİ AĞIRLIĞI WEIGHT (ORTALAMA / AVERAGE) (kg)
AS 008	1/4"	12 - 17	75	26	2x25	M12	M8 (6,8)	10	2,75	50	5,994
AS 015	1/2"	21 - 28	81	30	2x25	M12	M8 (6,8)	10	2,75	50	6,6
AS 020	3/4"	25 - 32	87	33	2x25	M12	M8 (6,8)	10	2,75	50	7,01
AS 025	1"	33 - 40	94	36,5	2x25	M12	M8 (6,8)	10	2,75	50	7,3
AS 032	1 1/4"	41 - 48	103	41	2x25	M12	M8 (6,8)	10	2,75	50	9,03
AS 040	1 1/2"	48 - 53	111	44,5	2x25	M12	M8 (6,8)	10	2,75	50	8,65
AS 047	53-59	53 - 59	120	48,5	2x25	M12	M8 (6,8)	10	2,75	40	7,585
AS 050	2"	60 - 69	125	51	2x25	M12	M8 (6,8)	10	2,75	40	7,46
AS 060	67-75	67 - 75	134	55	2x25	M12	M8 (6,8)	10	2,75	40	8,57
AS 065	2 1/2"	75 - 81	141	59	2x25	M12	M8 (6,8)	10	2,75	30	6,41
AS 075	83-91	83 - 91	149	63	2x25	M12	M8 (6,8)	10	2,75	30	7,211
AS 080	3"	87 - 95	154	65	2x25	M12	M8 (6,8)	10	2,75	30	6,84
AS 085	95-104"	95 - 104	161	69	2x25	M12	M8 (6,8)	10	2,75	30	7,781
AS 095	102-112	102 - 112	169	73	2,5x30	M12	M8 (6,8)	14	3,75	30	10,696
AS 100	4"	109 - 119	178	78,6	2,5x30	M12	M8 (6,8)	14	3,75	30	10,696
AS 110	122-138	122 - 138	192	90,1	3x30	M16	M10 (8,8)	20	6	20	10,18
AS 120	128-141	128 - 141	197	92,6	3x30	M16	M10 (8,8)	20	6	10	5,551
AS 125	5"	136 - 147	204	96,1	3x30	M16	M10 (8,8)	20	6	10	5,61
AS 140	153-164	153 - 164	220	104,1	3x30	M16	M10 (8,8)	20	6	10	6,15
AS 150	6"	164 - 174	229	108,6	3x30	M16	M10 (8,8)	20	6	10	6,32
AS 180	196-209	196 - 209	264	126,1	3x30	M16	M10 (8,8)	20	6	20	14,4
AS 200	8"	214 - 226	279	133,6	4x30	M16	M10 (8,8)	20	6	15	14,35
AS 240	240-250	240 - 250	310	148	4x30	M16	M10 (8,8)	20	6	15	15,435
AS 250	10"	266 - 274	335	161,8	4x30	M16	M10 (8,8)	20	6	15	17,13
AS 300	12"	308 - 324	400	184,8	4x40	M16	M12 (8,8)	35	11,7	10	18,2
AS 350	14"	340 - 356	432	200,8	4x40	M16	M12 (8,8)	35	11,7	10	19,4
AS 380	380-390	380 - 390	505	214	5x50	M16	M16 (8,8)	37	13	5	17,6
AS 400	16"	393 - 409	537	230	5x50	M16	M16 (8,8)	37	13	5	19,61
AS 450	18"	444 - 460	590	260,5	5x50	M16	M16 (8,8)	37	13	5	21,605
AS 500	20"	497 - 512	645	286	5x50	M16	M16 (8,8)	37	13	4	18,813



## Sprinkler Pipe Clamp

Sprinkler Kelerçe - Хомут Спринклерный



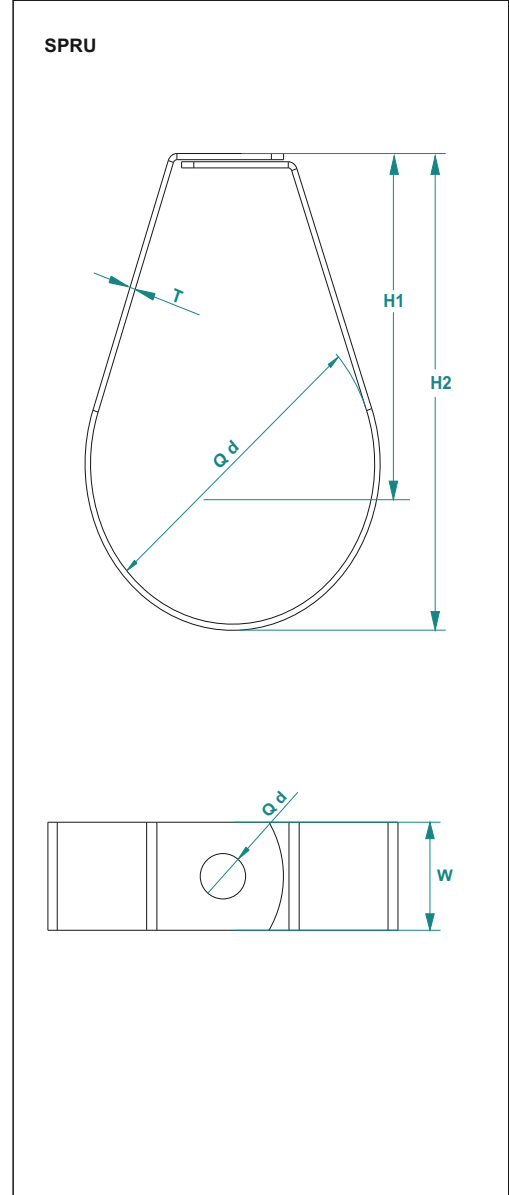
### SPR

ÜRÜN KODU CODE	ÖLÇÜ SIZE	ÇAP DIAMETER (ØD) (mm)	YÜKSEKLİK 1 HEIGHT 1 (H1) (mm)	YÜKSEKLİK 2 HEIGHT 2 (H2) (mm)	SAC SHEET (TxW) (mm)	DELİK ÇAPI HOLE DIA. ØD (mm)	KOPMA YÜKÜ BREAKING LOAD (kN)	ÇALIŞMA YÜKÜ RECOMMENDED LOAD (kN)	KOLİDEKİ ADET QUANTITY PER BOX	KOLİ AĞIRLIĞI WEIGHT (ORTALAMA / AVERAGE) (kg)
SPR015	1/2"	28	36,5	51,5	1x25	10,5	6	1,5	150	5
SPR020	3/4"	30	37,5	53,5	1x25	10,5	6	1,5	125	4,45
SPR 025	1"	36	46,5	65,5	1x25	10,5	6	1,5	100	4,07
SPR 032	1 1/4"	46	55,7	79,9	1,2x25	10,5	11	1,5	75	4,31
SPR 040	1 1/2"	52	58,7	85,9	1,2x25	10,5	11	1,5	60	3,74
SPR 050	2"	66	65,7	99,9	1,2x25	10,5	11	1,5	50	3,7
SPR 065	2 1/2"	78	75,5	116	1,5x25	10,5	16	3,9	35	3,62
SPR 080	3"	92	84,5	132	1,5x25	10,5	16	3,9	25	2,89
SPR 100	4"	116	107,5	167,5	2x25	10,5	19	3,9	30	5,83
SPR 125	5"	142	126,5	200	2,5x25	13	22	7,5	30	8,65
SPR 150	6"	170	150,5	238	2,5x25	13	22	7,5	30	10,2
SPR 200	8"	222	197,5	311,5	3x30	17	30	13	10	6,44
SPR 250	10"	275	244	384,5	3x30	17	30	13	15	11,82
SPR 300	12"	324	310	470	3x30	17	30	13	10	9,4



## Sprinkler Pipe Clamp Long

Sprinkler Kelerçe Uzun - Хомут Спринклерный Длинный



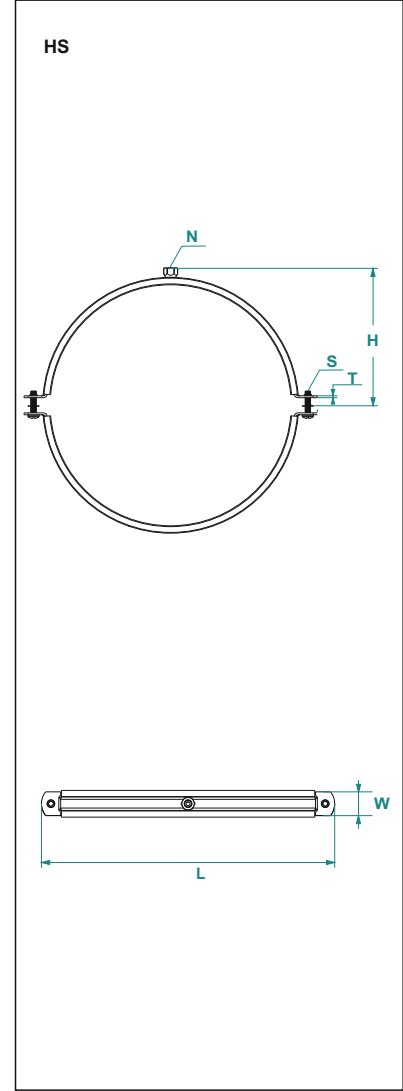
### SPRU

ÜRÜN KODU CODE	ÖLÇÜ SIZE	ÇAP DIAMETER (ØD) (mm)	YÜKSEKLİK 1 HEIGHT 1 (H1) (mm)	YÜKSEKLİK 2 HEIGHT 2 (H2) (mm)	SAC SHEET (TxW) (mm)	DELİK ÇAPI HOLE DIA. ØD (mm)	KOPMA YÜKÜ BREAKING LOAD (kN)	ÇALIŞMA YÜKÜ RECOMMENDED LOAD (kN)	KOLİDEKİ ADET QUANTITY PER BOX	KOLİ AĞIRLIĞI WEIGHT (ORTALAMA / AVERAGE) (kg)
SPRU 015	1/2"	28	48	63,5	1,5x25	10,5	1,5	1,5	100	5,97
SPRU 020	3/4"	30	50	66,5	1,5x25	10,5	1,5	1,5	100	6,42
SPRU 025	1"	36	59	78,5	1,5x25	10,5	1,5	1,5	75	5,32
SPRU 032	1 1/4"	46	63	87,5	1,5x25	10,5	1,5	1,5	50	4,15
SPRU 040	1 1/2"	52	66	93,5	1,5x25	10,5	1,5	1,5	50	4,38
SPRU 050	2"	66	72	106,5	1,5x25	10,5	1,5	1,5	40	4,05
SPRU 065	2 1/2"	78	94	135,5	2,5x25	10,5	3,9	3,9	30	5,92
SPRU 080	3"	92	101	149,5	2,5x25	10,5	3,9	3,9	25	5,59
SPRU 100	4"	116	122	182,5	2,5x25	10,5	3,9	3,9	30	8,05
SPRU 125	5"	142	151,5	225,5	3x25	13	7,5	7,5	25	9,68
SPRU 150	6"	170	176,5	264,5	3x25	13	7,5	7,5	20	8,94
SPRU 200	8"	222	226,5	340,5	3x40	17	13	13	10	14,3
SPRU 250	10"	275	285,5	426	3x40	17	13	13	10	12,25



## Ventilation Pipe Clamps

Somunlu Havalandırma Kemerleşesi - Хомут для вентиляционных труб с гайкой

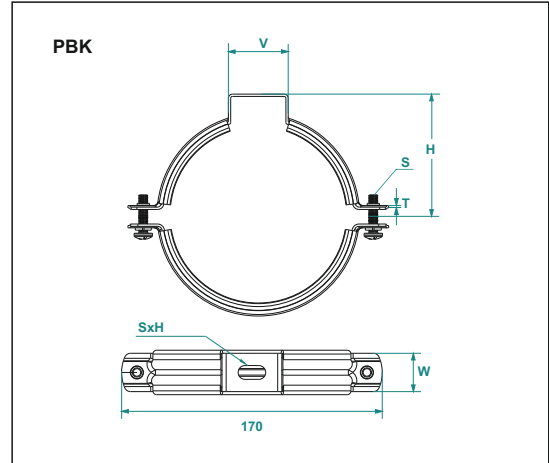


### HS

ÜRÜN KODU CODE	ÖLÇÜ SIZE	BORU ÇAPI PIPE DIAMETER (Ø) (mm)	UZUNLUK LENGTH (L) (mm)	YÜKSEKLİK HEIGHT (H) (mm)	SAC SHEET (TxW) (mm)	SOMUN NUT (N) (metric)	VİDA SCREW (S) (metric)	KOLİDEKİ ADET QUANTITY (PER BOX)	KOLİ AĞIRLIĞI WEIGHT (ORTALAMA KG / AVERAGE KG)
HS 0071	71	73,4	117	52	1,5x20	M8	M6	40	4,618
HS 0080	80	82,4	126	56,5	1,5x20	M8	M6	35	4,419
HS 0090	90	92,6	136	61,5	1,5x20	M8	M6	35	4,794
HS 0100	100	103,6	147	67	1,5x20	M8	M6	35	5,217
HS 0112	112	115,6	159	73	1,5x20	M8	M6	35	5,616
HS 0125	125	128,6	172	79,5	1,5x20	M8	M6	35	6,133
HS 0140	140	143,6	186	86,5	1,5x20	M8	M6	30	5,682
HS 0150	150	153,6	197	92	1,5x20	M8	M6	30	6,004
HS 0160	160	163,6	209	98	1,5x20	M8	M6	30	6,487
HS 0180	180	183,6	229	108	1,5x20	M8	M6	25	5,959
HS 0200	200	203,6	247	117	1,5x20	M8	M6	20	5,203
HS 0224	224	227,6	280	132	2x25	M8	M6	15	6,453
HS 0250	250	253,6	306	145	2x25	M8	M6	20	9,378
HS 0280	280	284,8	336	160	2x25	M8	M6	20	10,38
HS 0300	300	304,8	357	170,5	2x25	M8	M6	20	11,02
HS 0315	315	319,8	372	178	2x25	M8	M6	20	11,51
HS 0355	355	359,8	412	198	2x25	M8	M6	20	12,8
HS 0400	400	404,8	457	220,5	2x25	M8	M6	20	14,24
HS 0450	450	454,8	507	245,5	2x25	M8	M6	15	12,17
HS 0500	500	504,8	557	270,5	2x25	M8	M6	10	11,43
HS 0560	560	564,8	627	300	2,5x25	M8	M10	10	12,58
HS 0600	600	604,8	667	320	2,5x25	M8	M10	10	13,33
HS 0630	630	636	697	335	2,5x25	M8	M10	10	13,94

## PVC Pipe Clamp

PVC Boru Kelece - Хомут для ПВХ трубы

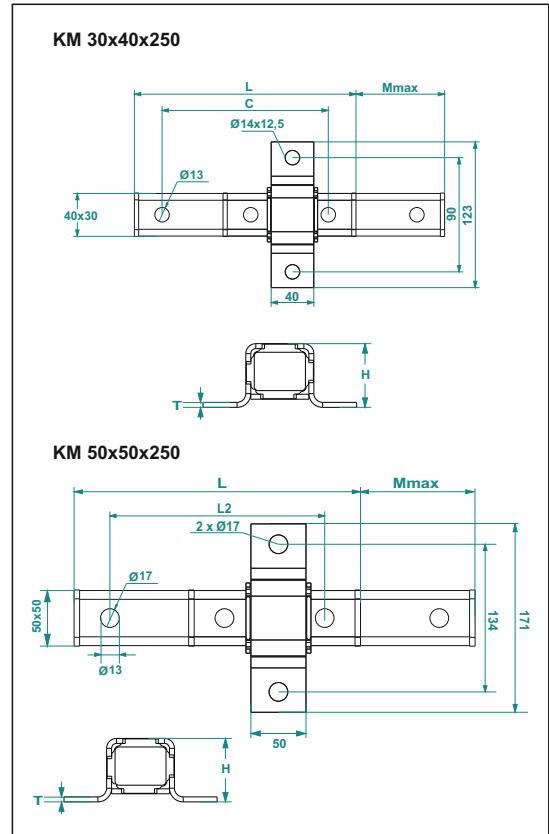


### PBK

ÜRÜN KODU CODE	ÖLÇÜ SIZE	SIKMA ARALIĞI CLAMPING RANGE (mm)	YÜKSEKLİK HEIGHT (H) (mm)	SAC SHEET (TxW) (mm)	BAĞLANTI BÖLGESİ (V) (mm)	SLOT DELİĞİ (SxH) (mm)	VİDA SCREW (S) (metric)	KOPMA YÜKÜ BREAKING LOAD (kN)	ÇALIŞMA YÜKÜ RECOMMENDED LOAD (kN)	KOLİDEKİ ADET QUANTITY PER BOX	KOLİ AĞIRLIĞI WEIGHT (ORTALAMA / AVERAGE) (kg)
PBK 050	50	48 - 53	45,5	1,2x20	36	9x18	M5	1,2	0,4	75	5,13
PBK 075	75	74 - 81	58,5	1,5x25	36	9x18	M6	1,2	0,4	50	7,51
PBK 100	100	100 - 108	74,5	1,5x25	36	9x18	M6	2	0,7	30	5,93
PBK 125	125	121 - 130	89,5	2x25	36	12,5x20	M6	2	0,7	25	6,86
PBK 150	150	150 - 159	103,5	2x25	36	12,5x20	M6	2	0,7	20	6,30
PBK 200	200	193 - 204	134,5	2x25	36	12,5x20	M6	2	0,7	10	4

## Sliding Hinge

Kayar Mesnet - Опора скользящая



### KM

ÜRÜN KODU CODE	ÖLÇÜ SIZE	UZUNLUK LENGTH (L) (mm)	YÜKSEKLİK HEIGHT (H) (mm)	DELİK MESAFESİ HOLE SIZE (L2) (mm)	HAREKET MESAFESİ (Mmax) (mm)	DELİK ÇAPI HOLE DIAMETER (Ø) (mm)	KOLİDEKİ ADET QUANTITY (PER BOX)	KOLİ AĞIRLIĞI WEIGHT (ORTALAMA KG / AVERAGE KG)
KM 3040200	30x40x2x200	208	51	145	85	13	10	6,76
KM 3040250	30x40x2x250	258	51	195	135	13	10	7,6
KM 5050250	50x50x3x250	260	76	195	127	13 / 17	10	17,8

# Electrical Junction Boxes



Electrical Junction Boxes - Elektrik Dağıtım Kutuları

Распределительные коробки

# 「IP68」



**metalico**

## Electrical Junction Boxes - Elektrik Dağıtım Kutuları Распределительные коробки



**Thermoplastic Boxes**  
Termoplastik Kutular



**Aluminium Boxes**  
Alüminyum Kutular



**Galvanised Boxes**  
Galvaniz Kutular



## Thermoplastic Enclosures

Termoplastik Buat - Распределительные коробки



TPB							
CODE	Size		Height	Cover	Protection	1 pc	
	mm	mm	mm		Degree	Weight	pc
TPB Ø8045PL IP44	Ø	80	45	round, press lid	IP44	0,10	168
TPB Ø8045SL IP67	Ø	80	45	round, screw lid	IP67	0,10	120
TPB 909045PL IP44	90	90	45	press lid	IP44	0,12	120
TPB 909045SL IP44	90	90	45	press lid	IP44	0,12	120
TPB 10010050PL IP44	100	100	50	press lid	IP44	0,10	85

## Thermoplastic Enclosures

Termoplastik Buat - Распределительные коробки



TPB							
CODE	Size		Height	Cover	Protection	1 pc	
	mm	mm	mm		Degree	Weight	pc
TPB 11011065 IP67	110	110	65	Screw Lid	IP67	0,17	60
TPB 11015070 IP67	110	150	70	Screw Lid	IP67	0,20	40
TPB 11021070 IP67	110	210	70	Screw Lid	IP67	0,23	28
TPB 14021090 IP67	140	210	90	Screw Lid	IP67	0,36	18
TPB 21021090 IP67	210	210	90	Screw Lid	IP67	0,46	9
TPB 19024090 IP67	190	240	90	Screw Lid	IP67	0,49	12
TPB 21029090 IP67	210	290	90	Screw Lid	IP67	0,57	8
TPB 29029090 IP67	290	290	90	Screw Lid	IP67	0,71	8
TPB 21044090 IP67	210	440	90	Screw Lid	IP67	1,11	8

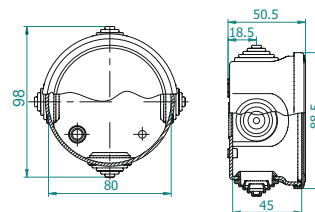
## Thermoplastic Enclosures

Termoplastik Buat - Распределительные коробки

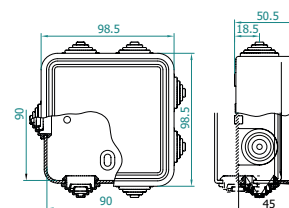


TPB							
CODE	Size		Height	Cover	Protection	1 pc	
	mm	mm	mm		Degree	Weight	pc
TPB 110110100DC IP67	110	110	100	Deep Cover	IP67	0,20	30
TPB 110150120DC IP67	110	150	120	Deep Cover	IP67	0,23	26
TPB 110210120DC IP67	110	210	120	Deep Cover	IP67	0,29	15
TPB 140210140DC IP67	140	210	140	Deep Cover	IP67	0,43	12
TPB 210210140DC IP67	210	210	140	Deep Cover	IP67	0,55	7
TPB 190240160DC IP67	190	240	160	Deep Cover	IP67	0,63	6
TPB 210290140DC IP67	210	290	140	Deep Cover	IP67	0,69	6
TPB 290290140DC IP67	290	290	140	Deep Cover	IP67	0,92	4
TPB 210440140DC IP67	210	440	140	Deep Cover	IP67	1,32	5

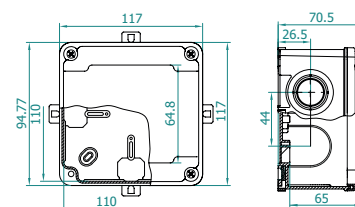
TPB Ø8045PL IP44



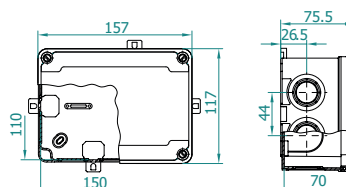
TPB Ø8045PL IP44



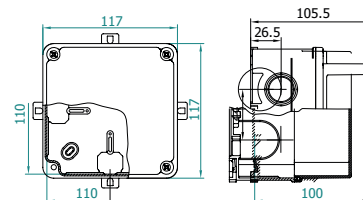
TPB 11011065 IP67



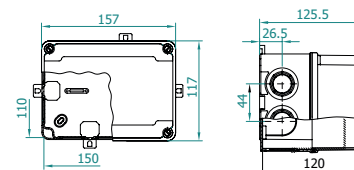
TPB 11015070



TPB 110110100



TPB 110150120



MATERIAL  
ABS HF 650°C

## Thermoplastic Enclosures

Termoplastik Buat - Распределительные коробки



### TPB

CODE	Size		Height	Cover	Protection	Degree	Weight 1 pc	pcs
	mm	mm						
TPB 110110100TDC IP67	110	110	100	Transparent - Deep Cover	IP67	0,24	30	
TPB 110150120TDC IP67	110	150	120	Transparent - Deep Cover	IP67	0,28	26	
TPB 110210120TDC IP67	110	210	120	Transparent - Deep Cover	IP67	0,36	15	
TPB 140210140TDC IP67	140	210	140	Transparent - Deep Cover	IP67	0,49	12	
TPB 210210140TDC IP67	210	210	140	Transparent - Deep Cover	IP67	0,61	7	
TPB 190240160TDC IP67	190	240	160	Transparent - Deep Cover	IP67	0,83	6	
TPB 210290140TDC IP67	210	290	140	Transparent - Deep Cover	IP67	0,84	6	
TPB 290290140TDC IP67	290	290	140	Transparent - Deep Cover	IP67	1,08	4	

## Thermoplastic Enclosures

Termoplastik Buat - Распределительные коробки



### TPB

CODE	Size		Height	Cover	Protection	Degree	Weight 1 pc	pcs
	mm	mm						
TPB 11015070TC IP67	110	150	70	Transparent Cover	IP67	0,25	40	
TPB 11021070TC IP67	110	210	70	Transparent Cover	IP67	0,31	28	
TPB 14021090TC IP67	140	210	90	Transparent Cover	IP67	0,40	18	
TPB 21021090TC IP67	210	210	90	Transparent Cover	IP67	0,54	9	
TPB 19024090TC IP67	190	240	90	Transparent Cover	IP67	0,55	12	
TPB 21029090TC IP67	210	290	90	Transparent Cover	IP67	0,66	9	
TPB 29029090TC IP67	290	290	90	Transparent Cover	IP67	0,81	8	

## Thermoplastic Enclosures For Terminal

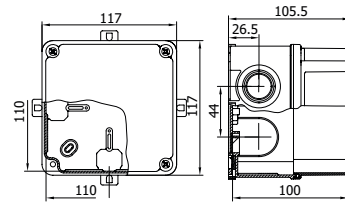
Yatay Klemens Kutusu - Распределительные коробки



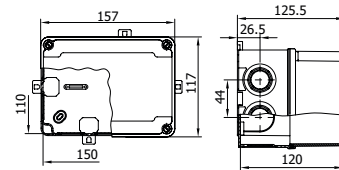
### TPBT

CODE	Size		Height	Cover	Protection	Degree	Weight 1 pc	pcs
	mm	mm						
TPBT 110210120DC IP67	110	210	120	Deep Cover	IP67	0,31	15	
TPBT 210290140DC IP67	210	290	140	Deep Cover	IP67	0,66	6	
TPBT 110210120TDC IP67	110	210	120	Transparent Deep Cover	IP67	0,38	15	
TPBT 210290140TDC IP67	210	290	140	Transparent Deep Cover	IP67	0,80	6	

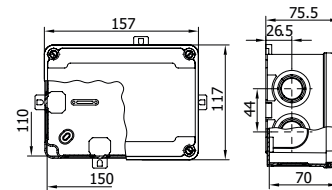
### TPB 110110100TDC



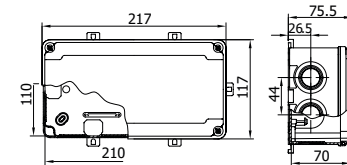
### TPB 110150120TDC



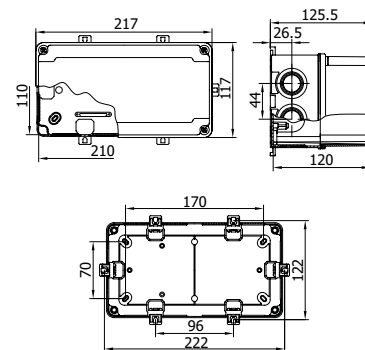
### TPB 11015070TC IP67



### TPB 11021070TC IP67



### TPBT 110210120 DC - TPBT 110210120 TDC



MATERIAL  
ABS HF 650°C

# Electrical Junction Boxes



## Aluminium Enclosures

Alüminyum Buatlar - Распределительные алюминиевые коробки



### ALB

CODE	Size		Height	Cover	Protection	kg 1 pc	pcs
	mm	mm					
ALB 656540 IP67	65	65	40	Grey RAL 7040	IP67	0.13	25
ALB 6510040 IP67	65	100	40	Grey RAL 7040	IP67	0.17	20
ALB 808060 IP67	80	80	60	Grey RAL 7040	IP67	0.19	44
ALB 808073DC IP67	80	80	73	Deep Cover, Grey RAL 7040	IP67	0.21	36
ALB 8013060 IP67	80	130	60	Grey RAL 7040	IP67	0.26	28
ALB 8013073DC IP67	80	130	73	Deep Cover, Grey RAL 7040	IP67	0.29	20
ALB 8017060 IP67	80	170	60	Grey RAL 7040	IP67	0.32	18
ALB 8017073 IP67	80	170	73	Grey RAL 7040	IP67	0.35	18
ALB 8023073 IP67	80	230	73	Grey RAL 7040	IP67	0.53	12
ALB 10010073 IP67	100	100	73	Grey RAL 7040	IP67	0.25	24
ALB 10010090 IP67	100	100	90	Grey RAL 7040	IP67	0.28	12
ALB 10013073 IP67	100	130	73	Grey RAL 7040	IP67	0.33	20
ALB 10016080 IP67	100	160	80	Grey RAL 7040	IP67	0.49	8
ALB 10020080 IP67	100	200	80	Grey RAL 7040	IP67	0.59	12
ALB 12022090 IP67	120	220	90	Grey RAL 7040	IP67	0.72	9
ALB 13013090 IP67	130	130	90	Grey RAL 7040	IP67	0.56	12
ALB 13019090 IP67	130	190	90	Grey RAL 7040	IP67	0.69	10
ALB 13023090 IP67	130	230	90	Grey RAL 7040	IP67	0.80	8
ALB 14020090 IP67	140	200	90	Grey RAL 7040	IP67	0.76	9
ALB 16016090 IP67	160	160	90	Grey RAL 7040	IP67	0.69	6
ALB 16026090 IP67	160	260	90	Grey RAL 7040	IP67	1.26	4
ALB 16026090H IP67	160	260	90	Hinged, Grey RAL 7040	IP67	1.42	4
ALB 17019090 IP67	170	190	90	Grey RAL 7040	IP67	0.98	6
ALB 180180100 IP67	180	180	100	Grey RAL 7040	IP67	1.02	5
ALB 180280100 IP67	180	280	100	Grey RAL 7040	IP67	1.55	4
ALB 19025090 IP67	190	250	90	Grey RAL 7040	IP67	1.51	3
ALB 19025090H IP67	190	250	90	Hinged, Grey RAL 7040	IP67	1.68	3
ALB 190250110 IP67	190	250	110	Grey RAL 7040	IP67	1.68	3
ALB 190250110H IP67	190	250	110	Hinged, Grey RAL 7040	IP67	1.86	3
ALB 19035090 IP67	190	350	90	Grey RAL 7040	IP67	2.05	3
ALB 19035090H IP67	190	350	90	Hinged, Grey RAL 7040	IP67	2.25	3
ALB 250250110 IP67	250	250	110	Grey RAL 7040	IP67	2.17	3
ALB 250250110H IP67	250	250	110	Hinged, Grey RAL 7040	IP67	2.37	3
ALB 310400140 IP67	310	400	140	Grey RAL 7040	IP67	4.39	2
ALB 310400140H IP67	310	400	140	Hinged, Grey RAL 7040	IP67	4.63	2

## Galvanised Junction Boxes

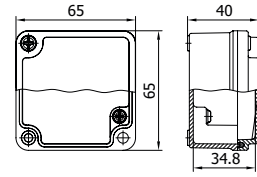
Galvaniz Çekme Kutusu - Распределительные металлические коробки



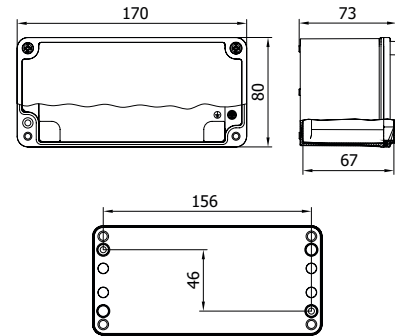
### GCK

CODE	Size		Height	Knock-Outs	Protection	kg 1 pc	pcs
	mm	mm					
GCK 151510 PG	150	150	100	KO: 8 (3/4"- Ø 25 or 1"- Ø 35)	IP44	0.80	4
GCK 202010 PG	200	200	100	KO: 12 (3/4"- Ø 25 or 1"- Ø 35)	IP44	1.30	3
GCK 252515 PG	250	250	150	KO: 16 (3/4"- Ø 25 or 1"- Ø 35)	IP44	2.00	2
GCK 303015 PG	300	300	150	KO: 20 (3/4"- Ø 25 or 1"- Ø 35)	IP44	2.90	2

### ALB 656540 IP67



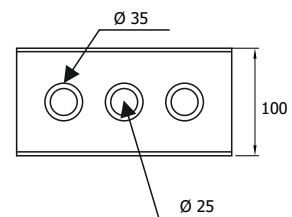
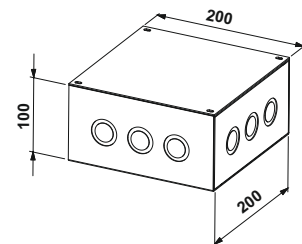
### ALB 8017073 IP67



#### TECHNICAL PROPERTIES:

Impact Resistance: IK 09  
 Operation Temperature: -40 °C / +80 °C  
 Color: Grey RAL 7040  
 Gasket: PU  
 Screws: Stainless steel  
 Earthing: Both on Cover & Base

### GCK 202010 PG



MATERIAL  
Galvanised Steel



## Cable Lug, Tie and Glands - Kablo Pabucu Bağı ve Rakoru Кабельные наконечники, хомуты и зажимы

**Plastic Cable Glands**  
*Polyamid Kablo Rakoru*



**Metal Cable Glands**  
*Pirinç Kablo Rakoru*



**Ekko Type SKP Compression Type Cable Lugs**  
*Ekko Tip SKP Sıkmalı Kablo Pabçları*



**Standard Type Butt - Connectors**  
*Standart Tip Ek Muffları*



**Ring Type Insulated Terminals (Nylon and Easy Entry)**  
*Yuvarlak Tip İzoleli Kablo Uçları (Naylon & Kolay Girişli)*



**Fork Type Insulated Cable Terminals (Nylon and Easy Entry)**  
*Çatal Tip İzoleli Kablo Uçları (Naylon & Kolay Girişli)*



**Ekko Series Insulated Twin Cord End Terminals**  
*Ekko Serisi İzoleli Çift Girişli Kablo Yüksükleri*



**Ekko Series Cord-end Terminals French Color Norm**  
*Ekko Serisi İzoleli Kablo Yüksükleri Fransız Renk Normu*



**Butt-Splice Connectors Insulated Cable Terminals**  
*Ek Muffları - İzoleli Kablo Uçları*



**Nylon 6.6 Cable Ties - Natural Color**  
*Naylon 6.6 Kablo Bağları - Beyaz*



**Nylon Square Base Cable Tip Accessories**  
*Yapışkanlı Kroşeler Kablo Bağı Aksesuarları*



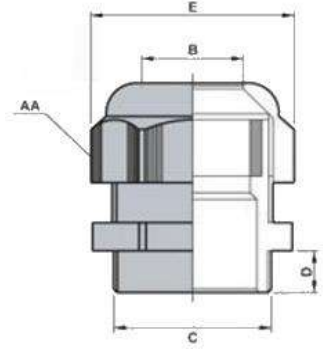
## Plastic Cable Glands


Polyamid Kablo Rakoru - Кабельный зажим из полиамида



GENEL ÖZELLİKLER	
Hammadesi	Polyamid PA6
Sürekli Isiya direnci	-30 C/ +80 C
Koruma Sınıfı	IP68 5 bar
Renk : RAL 7001 (Gri), RAL 7035 (Açık Gri), RAL 9005 (Siyah)	

TECHNICAL PROPERTIES	
Material	Polyamide PA6 V2
Connection Thread	Metric (EN 60423)
Connection Thread	PG (DIN 40430)
IP rating	IP68 5 bar
Temperature Resistance	-30 C/ +80 C +150 C (short term)
<b>Properties</b>	
Anti-vibration protection	
UV resistance	
Halogen Free	
Easy to assemble	



Thread	H, mm	Thread Length D, mm	 AA, mm	in box quantities	Suitable Cable size, B, mm		ORDER CODE SİPARİŞ KODU		
					pc	min.	max.	Grey	Light Grey
PG7	24	8	13	400	3,0	6,5	ORG 01	ORL 01	ORB 01
PG9	28	8	16	300	4,0	8,0	ORG 02	ORL 02	ORB 02
PG11	29	8	19	200	5,0	10,0	ORG 03	ORL 03	ORB 03
PG13,5	29	9	21	150	6,0	12,0	ORG 04	ORL 04	ORB 04
PG16	33	9	23	125	10,0	14,0	ORG 05	ORL 05	ORB 05
PG21	38	11	29	75	13,0	18,0	ORG 06	ORL 06	ORB 06
PG29	41	11	37,5	30	18,0	25,0	ORG 07	ORL 07	ORB 07
PG36	51	13	47,5	20	22,0	32,0	ORG 08	ORL 08	ORB 08
PG42	53	13	54,5	15	30,0	38,0	ORG 09	ORL 09	ORB 09
PG48	55	14	60	8	34,0	44,0	ORG 10	ORL 10	ORB 10
metric									
M 12 X 1.5	24	8	12,5	400	3,0	6,5	OMRG 01	OMRL 01	OMRB 01
M 16 X 1.5	28	8	16,5	300	4,0	8,0	OMRG 02	OMRL 02	OMRB 02
M 16 X 1.5	29	10	16,5	200	5,0	10,0	OMRG 03	OMRL 03	OMRB 03
M 20 X 1.5	29	10	20,5	150	6,0	12,0	OMRG 04	OMRL 04	OMRB 04
M 20 X 1.5	33	10	20,5	125	10,0	14,0	OMRG 05	OMRL 05	OMRB 05
M 25 X 1.5	38	10	25,5	75	13,0	18,0	OMRG 06	OMRL 06	OMRB 06
M 32 X 1.5	41	10	32,5	30	18,0	25,0	OMRG 07	OMRL 07	OMRB 07
M 40 X 1.5	51	10	40,5	20	22,0	32,0	OMRG 08	OMRL 08	OMRB 08
M 50 X 1.5	53	18	50,5	15	30,0	38,0	OMRG 09	OMRL 09	OMRB 09
M 63 X 1.5	55	18	63,5	8	34,0	44,0	OMRG 10	OMRL 10	OMRB 10

## Metal Cable Glands

Pirinç Kablo Rakoru - Кабельный зажим латунный



### GENEL ÖZELLİKLER

Hammadesi	Pirinç, nikel kaplı
Sürekli Isıya direnci	-40 C/ +100 C
Koruma Sınıfı	IP68 5 bar

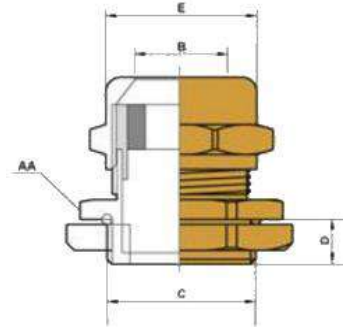
### TECHNICAL PROPERTIES


Material	Brass with nickel plated
Connection Thread	Metric (EN 60423)
Connection Thread	PG (DIN 40430)
IP rating	IP68 5 bar
Temperature Resistance	-40 C/ +100 C +150 C (short term)



### Properties

Easy to assemble  
Long Thread Versions  
Halogen Free



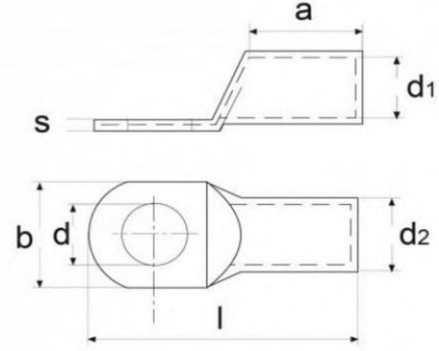
Thread	H, mm	Thread Length D, mm	 AA, mm	in box quantities		Suitable Cable size, B, mm		Order Code Sip. Kodu
				pc	min.	max.		
PG7	22	6	13	100	3,0	6,5	OPBG 01	
PG9	23	6	16	50	4,0	8,0	OPBG 02	
PG11	24,5	6	19	50	5,0	10,0	OPBG 03	
PG13,5	26,5	6,5	21	50	6,0	12,0	OPBG 04	
PG16	28	6,5	23	50	10,0	14,0	OPBG 05	
PG21	31,5	7	29	25	13,0	18,0	OPBG 06	
PG29	38	8	37,5	20	18,0	25,0	OPBG 07	
PG36	43	10	47,5	10	22,0	32,0	OPBG 08	
PG42	47	12	54,5	5	30,0	38,0	OPBG 09	
PG48	48	14	60	5	34,0	44,0	OPBG 10	

### metric

M 12 X 1.5	22	6	12,5	100	3,0	6,5	OMBG 01
M 16 X 1.5	23	7	16,5	50	4,0	8,0	OMBG 02
M 20 X 1.5	26,5	8	20,5	50	6,0	12,0	OMBG 03
M 25 X 1.5	28	8	25,5	25	10,0	14,0	OMBG 04
M 25 X 1.5	28	8	25,5	25	13,0	18,0	OMBG 04/06
M 32 X 1.5	31,5	9	32,5	20	13,0	18,0	OMBG 05
M 40 X 1.5	38	9	40,5	10	18,0	25,0	OMBG 06
M 50 X 1.5	43	9	50,5	5	22,0	32,0	OMBG 07
M 63 X 1.5	48	14	63,5	5	34,0	44,0	OMBG 08
M 63 X 1.5	48	15	63,5	5	44,0	55,0	OMBG 17
M 72 X 1.5		20	72,5	5	45,0	55,0	OMBG 17s
M 75 X 1.5		20	76	5	50,0	63,0	OMBG 18
M 80 X 1.5		20	80,5	5	50,0	63,0	OMBG 18-80
M 90 X 1.5		20	91	5	60,0	70,0	OMBG 19

## Ekko Type SKP Compression Type Cable Lugs

Ekko Tip SKP Sıkmalı Kablo Pabçları - Медные кабельные наконечники



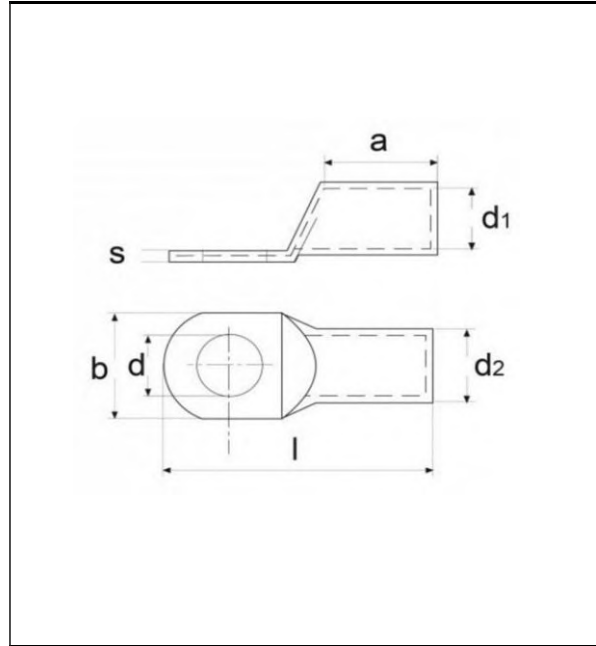
GENEL ÖZELLİKLER	
<b>Hammadesi</b>	EN 13600 standartlarında bakır
<b>Yüzey</b>	Kalay Kaplı
TECHNICAL PROPERTIES	
Material	EN 13600 standard copper
Surface	3 micron Tin Plated

Cross section	Bolt	DIMENTIONS, mm						in pack quantities	weight in pack	ORDER CODE SİPARİŞ KODU
		mm <sup>2</sup>	Ø	d	d1	d2	l			

10mm <sup>2</sup>	M5	5,3	4,5	6	27	9	8,6	800 pc	2,1 kg	E- 01005
16mm <sup>2</sup>	M6	6,4	5,5	7	30	11	10,5	500 pc	1,7 kg	E- 01606
25mm <sup>2</sup>	M8	8,3	7	9	38,5	12	13,0	300 pc	2,2 kg	E- 02508
35mm <sup>2</sup>	M8	8,3	8,5	10,5	43,5	14	15,5	200 pc	2,0 kg	E- 03508
50mm <sup>2</sup>	M10	10,3	10	12	51,5	17	17,9	150 pc	2,2 kg	E- 05010
70mm <sup>2</sup>	M10	10,3	11,5	14	55,5	18	20,7	100 pc	2,3 kg	E- 07010
95mm <sup>2</sup>	M10	10,3	13,5	16	58,5	21	23,5	80 pc	2,2 kg	E- 09510
120mm <sup>2</sup>	M12	12,8	15,5	18	71	25	26,7	50 pc	1,9 kg	E- 12012
150mm <sup>2</sup>	M12	12,8	16,5	20	76	26	29,2	30 pc	2,1 kg	E- 15012
185mm <sup>2</sup>	M16	16,5	18,5	22	82	29	32,3	30 pc	2,15 kg	E- 18516
240mm <sup>2</sup>	M16	16,5	21,5	25,5	91	33	37,6	25 pc	2,7 kg	E- 24016

## Standard Type SKP Compression Type Cable Lugs

Ekko Tip SKP Sıkmalı Kablo Pabuçları - Медные кабельные наконечники



### GENEL ÖZELLİKLER

**Hammadesi** EN 13600 standartlarında bakır  
**Yüzey** Kalay Kaplı

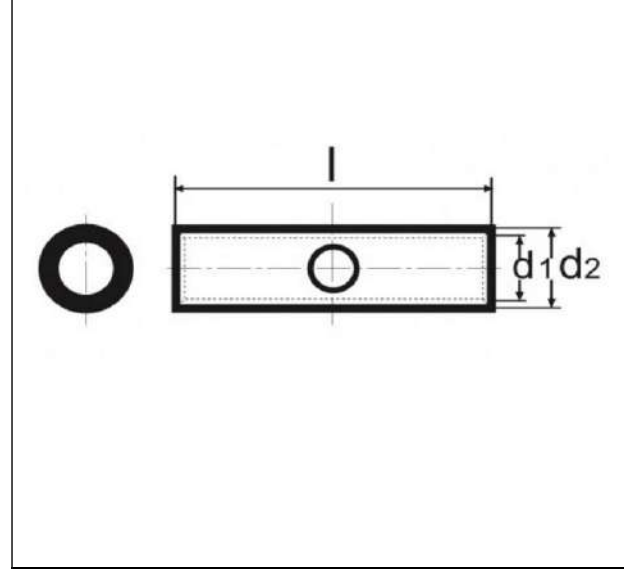
### TECHNICAL PROPERTIES

**Material** EN 13600 standard copper  
**Surface** 3 micron Tin Plated

Cross section	Bolt	DIMENSIONS, mm						in pack quantities pc	weight in pack kg	ORDER CODE SIPARIŞ KODU
		mm2	Ø	d	d1	d2	l			
10mm2	M5	5,5	4,7	6,6	27,5	10	10,3	800 pc	2,8 kg	ST- 01005
16mm2	M6	6,5	5,6	7,8	29,5	12	11,2	500 pc	2,7 kg	ST- 01606
25mm2	M8	8,5	7,1	9,5	39	16	13,7	300 pc	2,75 kg	ST- 02508
35mm2	M8	8,5	8,2	10,8	44	19	15,3	200 pc	2,8 kg	ST- 03508
	M10	10,5	8,2	10,8	48	19	15,7	200 pc	2,8 kg	ST- 03510
50mm2	M10	10,5	10,1	13	51,5	21	18,9	150 pc	3,3 kg	ST- 05010
70mm2	M10	10,5	11,5	14,7	54,6	23	21,1	100 pc	3,0 kg	ST- 07010
95mm2	M10	10,5	13,5	16,7	58,8	26	24,7	80 pc	3,0 kg	ST- 09510
	M12	13	13,5	16,7	58,8	26	24,7	80 pc	2,9 kg	ST- 09512
120mm2	M12	13	15,6	19	69	29	27,7	50 pc	2,6 kg	ST- 12012
150mm2	M12	13	16,5	21	76,5	30	30,4	30 pc	2,5 kg	ST- 15012
185mm2	M16	17	18,4	23	82,5	33	34,2	30 pc	2,9 kg	ST- 18516
240mm2	M16	17	21	26	89	38	38,7	25 pc	3,6 kg	ST- 24016
300mm2	M16	17	23,4	28,6	95	41	42,6	20 pc	3,2 kg	ST- 30016
400mm2	M20	21	26,8	32,8	108,2	48	48,3	12 pc	3,4 kg	ST- 40020
500mm2	M20	21	29,8	38,4	115,5	48	54,9	8 pc	3,4 kg	ST- 50020
600mm2	M20	21	34,5	44	133,1	61	63,0	6 pc	4,2 kg	ST- 60020

## Standard Type Butt - Connectors

Standart Tip Ek Mufları - Гильзы кабельные медные луженые

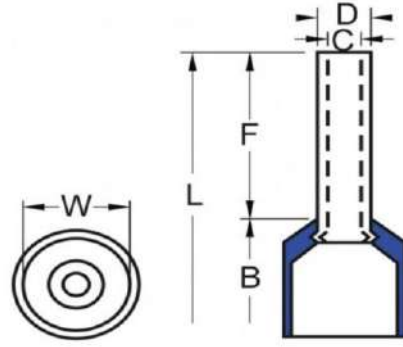


GENEL ÖZELLİKLER	
Ham madesi	EN 13600 standartlarında bakır
Yüzey	Kalay Kaplı
TECHNICAL PROPERTIES	
Material	EN 13600 standard copper
Surface	3 micron Tin Plated

Cross section mm <sup>2</sup>	DIMENSIONS, mm			in pack quantities pc	weight in pack kg	ORDER CODE SİPARİŞ KODU
	d1	d2	l			
6mm <sup>2</sup>	3,8	5,5	30	800 pc	2,3 kg	ST EM06
10mm <sup>2</sup>	4,7	6,6	29	600 pc	2,5 kg	ST EM10
16mm <sup>2</sup>	5,6	7,8	32	400 pc	2,5 kg	ST EM16
25mm <sup>2</sup>	7,1	9,5	40,5	250 pc	2,8 kg	ST EM25
35mm <sup>2</sup>	8,2	10,8	45,5	150 pc	2,3 kg	ST EM35
50mm <sup>2</sup>	10,1	13	53,5	90 pc	2,3 kg	ST EM50
70mm <sup>2</sup>	11,5	14,7	57,5	65 pc	2,2 kg	ST EM70
95mm <sup>2</sup>	13,5	16,7	61,5	50 pc	2,1 kg	ST EM95
120mm <sup>2</sup>	15,6	19	74	40 pc	2,4 kg	ST EM120
150mm <sup>2</sup>	16,5	21	79	25 pc	2,3 kg	ST EM150
185mm <sup>2</sup>	18,4	23	85	22 pc	2,5 kg	ST EM185
240mm <sup>2</sup>	21	26	94	18 pc	2,9 kg	ST EM240

## Ekko Series Cord-end Terminals French Color Norm

Ekko Serisi İzoleli Kablo Yüksükleri Fransız Renk Normu - Наконечник штыревой втулочный изолированный



### GENEL ÖZELLİKLER

<b>Standart</b>	DIN 46228
<b>Malzeme</b>	Bakır (E-Cu), Kalay Kaplı
<b>İzolasyon</b>	Naylon
<b>Çalışma Sıcaklığı</b>	Maksimum 105° 600 Volt

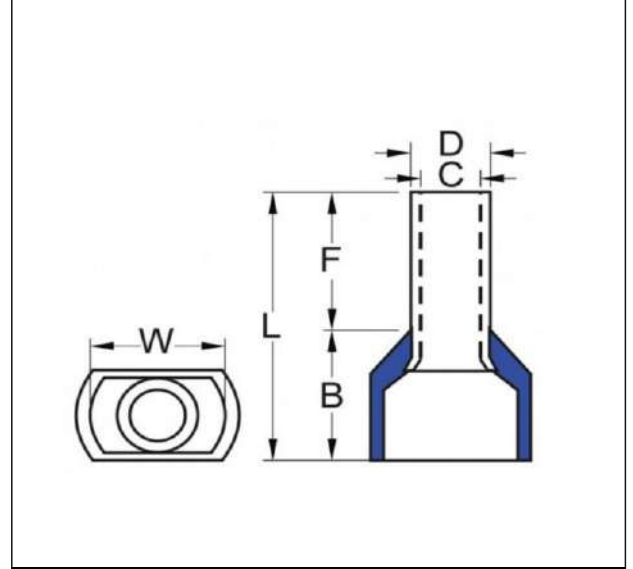
### TECHNICAL PROPERTIES

<b>Standard</b>	DIN 46228
<b>Material</b>	Copper (E-Cu), Tin plated
<b>Insulation</b>	Nylon
<b>Operating Temperature</b>	Maximum 105° 600 Volt

Cross section mm <sup>2</sup>	Color	DIMENSIONS, mm						in pack quantities pc	weight in pack kg	ORDER CODE SİPARİŞ KODU
		F	L	W	D	C				
0,50mm <sup>2</sup>		White	8	14	2,6	1,3	1,0	500 pc	0,064 kg	UY-3005E
0,75mm <sup>2</sup>		Blue	8	14	2,8	1,5	1,2	500 pc	0,072 kg	UY-3007E
1mm <sup>2</sup>		Red	8	14	3	1,7	1,4	500 pc	0,075 kg	UY-3010E
1,5mm <sup>2</sup>		Black	8	14	3,5	2,0	1,7	500 pc	0,108 kg	UY-3015E
2,5mm <sup>2</sup>		Grey	8	15	4,2	2,5	2,2	500 pc	0,133 kg	UY-3025E
4mm <sup>2</sup>		Orange	10	17	4,8	3,2	2,8	250 pc	0,119 kg	UY-3040E
6mm <sup>2</sup>		Green	12	20	6,3	3,9	3,5	250 pc	0,177 kg	UY-3060E
10mm <sup>2</sup>		Brown	12	22	7,6	4,9	4,5	100 pc	0,109 kg	UY-3100E
16mm <sup>2</sup>		Ivory	12	24	8,8	6,2	5,8	100 pc	0,138 kg	UY-3160E
25mm <sup>2</sup>		Black	16	28	11	7,7	7,3	50 pc	0,125 kg	UY-3250E
35mm <sup>2</sup>		Red	16	30	12,7	8,7	8,3	50 pc	0,141 kg	UY-3350E
50mm <sup>2</sup>		Blue	20	36	15	10,9	10,3	50 pc	0,168 kg	UY-3500E
70mm <sup>2</sup>		Yellow	20	37	16	14,3	13,5	50 pc	0,270 kg	UY-3700E

## Ekko Series Insulated Twin Cord End Terminals

Ekko Serisi İzoleli Çift Girişli Kablo Yüksükleri - Наконечник штыревой втулочный изолированный



## GENEL ÖZELLİKLER

Standart	DIN 46228
Malzeme	Bakır (E-Cu), Kalay Kaplı
İzolasyon	Naylon
Çalışma Sıcaklığı	Maksimum 105° 600 Volt

## TECHNICAL PROPERTIES

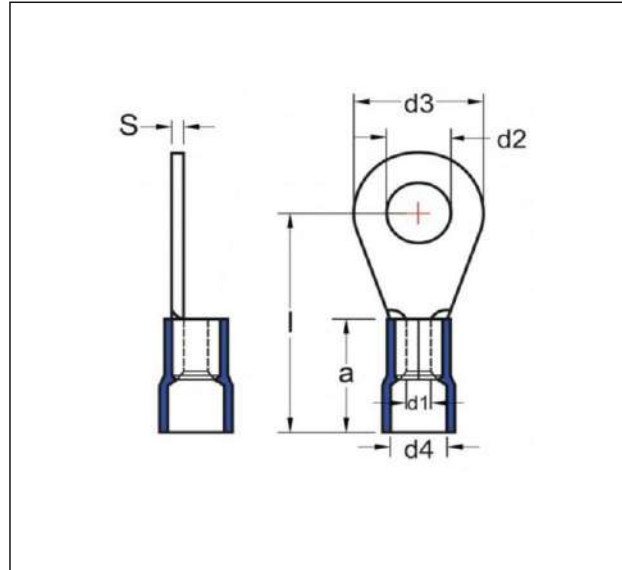
Standard	DIN 46228
Material	Copper (E-Cu), Tin plated
Insulation	Nylon
Operating Temperature	Maximum 105° 600 Volt

Cross section	Color	DIMENSIONS, mm						in pack quantities	weight in pack	ORDER CODE SİPARİŞ KODU
		F	L	W	D	C				
mm <sup>2</sup>							pc	kg		
2 x 0,50mm <sup>2</sup>		White	8	14,5	5	1,8	1,5	500 pc	0,107 kg	UY-23005E
2 x 0,75mm <sup>2</sup>		Blue	8	14,7	5,5	2,1	1,8	500 pc	0,121 kg	UY-23007E
2 x 1,00mm <sup>2</sup>		Red	8	15,1	5,5	2,4	2,1	500 pc	0,137 kg	UY-23010E
2 x 1,50mm <sup>2</sup>		Black	8	15,5	6,4	2,6	2,3	500 pc	0,164 kg	UY-23015E
2 x 2,50mm <sup>2</sup>		Grey	10	18,5	8	3,3	2,9	250 pc	0,137 kg	UY-23025E
2 x 4mm <sup>2</sup>		Orange	12	23,1	8,8	4,2	3,8	100 pc	0,098 kg	UY-23040E
2 x 6mm <sup>2</sup>		Green	14	26,1	9,5	5,3	4,9	100 pc	0,149 kg	UY-23060E
2 x 10mm <sup>2</sup>		Brown	14	26,6	12,6	6,9	6,5	50 pc	0,108 kg	UY-23100E
2 x 16mm <sup>2</sup>		Beige	14	31,3	19	8,7	8,3	50 pc	0,056 kg	UY-23160E



## Ring Type Insulated Terminals (Nylon and Easy Entry)

Yuvarlak Tip İzoleli Kablo Uçları (Naylon & Kolay Girişli) - Изолированный кабельный сое



### GENEL ÖZELLİKLER

<b>Standart</b>	DIN 46237
<b>Malzeme</b>	Bakır (E-Cu), Kalay Kaplı
<b>İzolasyon</b>	Naylon
<b>Çalışma Sıcaklığı</b>	Maksimum 105° 600 Volt

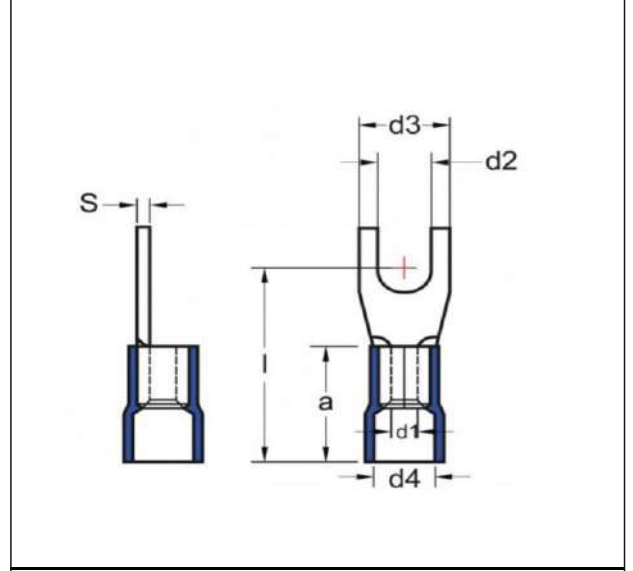
### TECHNICAL PROPERTIES

<b>Standard</b>	DIN 46237
<b>Material</b>	Copper (E-Cu), Tin plated
<b>Insulation</b>	Nylon
<b>Operating Temperature</b>	Maximum 105° 600 Volt

Cross section mm <sup>2</sup>	Bolt Ø	Color	DIMENSIONS, mm					in pack quantities pc	weight in pack kg	ORDER CODE SİPARİŞ KODU
			d2	d3	l	d1	a			
0,50-1,50 mm <sup>2</sup>	M3	Red	3,2	6	16	1,6	10,0	200 pc	0,182 kg	YK-301
	M4		4,3	8	17	1,6	10,0	200 pc	0,206 kg	YK-401
	M5		5,3	10	18	1,6	10,0	200 pc	0,238 kg	YK-501
	M6		6,5	10	18	1,6	10,0	200 pc	0,255 kg	YK-601
	M8		8,4	14	22	1,6	10,0	200 pc	0,324 kg	YK-801
1,50-2,50 mm <sup>2</sup>	M3	Blue	3,2	6	16	2,3	10,0	200 pc	0,202 kg	YK-302
	M4		4,3	8	17	2,3	10,0	200 pc	0,224 kg	YK-402
	M5		5,3	10	18	2,3	10,0	200 pc	0,269 kg	YK-502
	M6		6,5	10	18	2,3	10,0	200 pc	0,297 kg	YK-602
	M8		8,4	14	22	2,3	10,0	200 pc	0,346 kg	YK-802
	M10		10,5	15	22	2,3	10,0	100 pc	0,253 kg	YK-1002
	M12		13	18	25	2,3	10,0	100 pc	0,200 kg	YK-1202
4,00-6,00 mm <sup>2</sup>	M4	Yellow	4,3	8	21	3,6	13,0	100 pc	0,205 kg	YK-406
	M5		5,3	10	22	3,6	13,0	100 pc	0,223 kg	YK-506
	M6		6,5	11	22,5	3,6	13,0	100 pc	0,249 kg	YK-606
	M8		8,4	14	26	3,6	13,0	100 pc	0,290 kg	YK-806
	M10		10,5	18	28	3,6	13,0	100 pc	0,351 kg	YK-1006
	M12		13	18	28	3,6	13,0	50 pc	0,172 kg	YK-1206

## Fork Type Insulated Cable Terminals (Nylon and Easy Entry)

Çatal Tip İzoleli Kablo Uçları (Naylon & Kolay Girişli) - Наконечник вилочный изолированный



### GENEL ÖZELLİKLER

<b>Standart</b>	DIN 46237
<b>Malzeme</b>	Bakır (E-Cu), Kalay Kaplı
<b>İzolasyon</b>	Naylon
<b>Çalışma Sıcaklığı</b>	Maksimum 105° 600 Volt

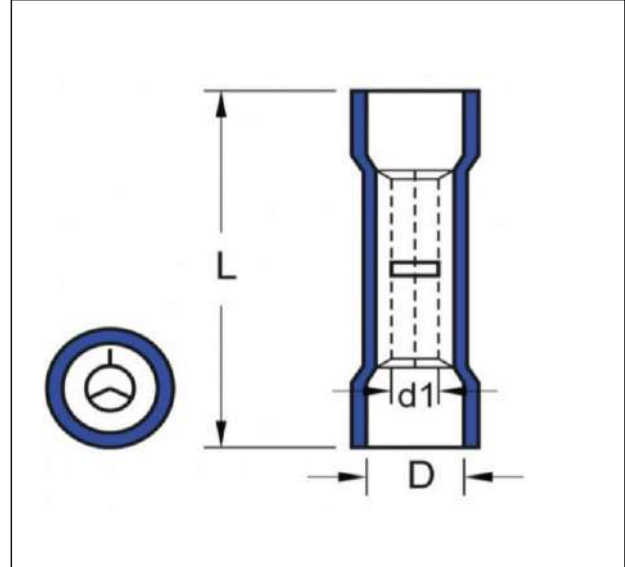
### TECHNICAL PROPERTIES

<b>Standard</b>	DIN 46237
<b>Material</b>	Copper (E-Cu), Tin plated
<b>Insulation</b>	Nylon
<b>Operating Temperature</b>	Maximum 105° 600 Volt

Cross section mm <sup>2</sup>	Bolt Ø	Color	DIMENSIONS, mm					in pack quantities pc	weight in pack kg	ORDER CODE SİPARİŞ KODU
			d2	d3	l	d1	a			
0,50-1,50 mm <sup>2</sup>	M3	Red	3,2	6	16	1,6	10,0	200 pc	0,200 kg	CK-3001
	M4		4,3	6,8	17	1,6	10,0	200 pc	0,200 kg	CK-4001
	M5		5,3	10	18	1,6	10,0	200 pc	0,229 kg	CK-5001
	M6		6,5	11	20	1,6	10,0	200 pc	0,242 kg	CK-6001
1,50-2,50 mm <sup>2</sup>	M3	Blue	3,2	5,5	16	2,3	10,0	200 pc	0,197 kg	CK-3002
	M4		4,3	6,8	17	2,3	10,0	200 pc	0,202 kg	CK-4002
	M5		5,3	10	19	2,3	10,0	200 pc	0,265 kg	CK-5002
	M6		6,5	11	21	2,3	10,0	200 pc	0,297 kg	CK-6002
4,00-6,00 mm <sup>2</sup>	M4	Yellow	4,3	8	21	3,6	13,0	100 pc	0,200 kg	CK-4006
	M5		5,3	10	22	3,6	13,0	100 pc	0,226 kg	CK-5006
	M6		6,5	11	23	3,6	13,0	100 pc	0,235 kg	CK-6006
	M8		8,4	14	26	3,6	13,0	100 pc	0,284 kg	CK-8006
	M10		10,5	18	28	3,6	13,0	50 pc	0,197 kg	CK-10006

## Butt-Splice Connectors Insulated Cable Terminals

Ek Mufları - İzoleli Kablo Uçları - Соединительные Втулки



GENEL ÖZELLİKLER	
Standart	DIN 46237
Malzeme	Bakır (E-Cu), Kalay Kaplı
İzolasyon	Vinyl
Çalışma Sıcaklığı	Maksimum 75° 600 Volt
TECHNICAL PROPERTIES	
Standard	DIN 46237
Material	Copper (E-Cu), Tin plated
Insulation	Vinyl
Operating Temperature	Maximum 75° 600 Volt

Cross section mm <sup>2</sup>	Color	DIMINTIONS, mm			in pack quantities pc	weight in pack kg	ORDER CODE SIPARIŞ KODU
		L	D	d1			
0,50-1,50 mm <sup>2</sup>	Red	24,6	4,0	1,7	200 pc	0,275 kg	BY-251
1,50-2,50 mm <sup>2</sup>	Blue	24,6	4,5	2,3	200 pc	0,322 kg	BY-252
4,00-6,00 mm <sup>2</sup>	Yellow	26,5	6,3	3,4	100 pc	0,285 kg	BY-256

## Nylon 6.6 Cable Ties - Natural Color

Nylon 6.6 Kablo Bağları - Beyaz - Кабельные хомуты



Dimensions, mm		Color	Max. Bundle Diameter	Tensile Strength	in bag	in carton	weight	ORDER CODE
Length	Width				quantities	quantities		
			mm	daN	pc	pc	kg	SİPARİŞ KODU
100	2,5	Natural	24	11 daN	100 pc	30.000 pc	10,40 kg	S-100-2C
135		Natural	35	11 daN	100 pc	25.000 pc	12,25 kg	S-135-2C
160		Natural	40	11 daN	100 pc	20.000 pc	11,05 kg	S-160-2C
200		Natural	55	11 daN	100 pc	20.000 pc	14,45 kg	S-200-2C
140	3,5	Natural	36	20 daN	100 pc	20.000 pc	13,40 kg	S-140-3C
200		Natural	55	20 daN	100 pc	12.000 pc	11,15 kg	S-200-3C
250		Natural	68	20 daN	100 pc	13.000 pc	15,50 kg	S-250-3C
280		Natural	80	20 daN	100 pc	13.000 pc	18,20 kg	S-280-3C
360		Natural	103	20 daN	100 pc	8.000 pc	13,80 kg	S-360-3C
200	4,5	Natural	51	28 daN	100 pc	10.000 pc	14,35 kg	S-200-4C
250		Natural	68	28 daN	100 pc	10.000 pc	18,45 kg	S-250-4C
300		Natural	82	28 daN	100 pc	8.000 pc	17,85 kg	S-300-4C
360		Natural	101	28 daN	100 pc	8.000 pc	19,50 kg	S-360-4C
380		Natural	110	28 daN	100 pc	7.000 pc	19,45 kg	S-380-4C
430		Natural	123	28 daN	100 pc	5.000 pc	15,30 kg	S-430-4C
320	7,5	Natural	88	65 daN	100 pc	3.000 pc	15,85 kg	S-320-7C
360		Natural	101	65 daN	100 pc	3.000 pc	16,80 kg	S-360-7C
450		Natural	130	65 daN	100 pc	2.500 pc	18,60 kg	S-450-7C
540		Natural	160	65 daN	100 pc	2.500 pc	22,25 kg	S-540-7C
750		Natural	220	65 daN	100 pc	1.500 pc	17,85 kg	S-750-7C

## Nylon Square Base Cable Tie Accessories

Yarışkanlı Kroşeler Kablo Bağı Aksesuarları - Основание для хомутов

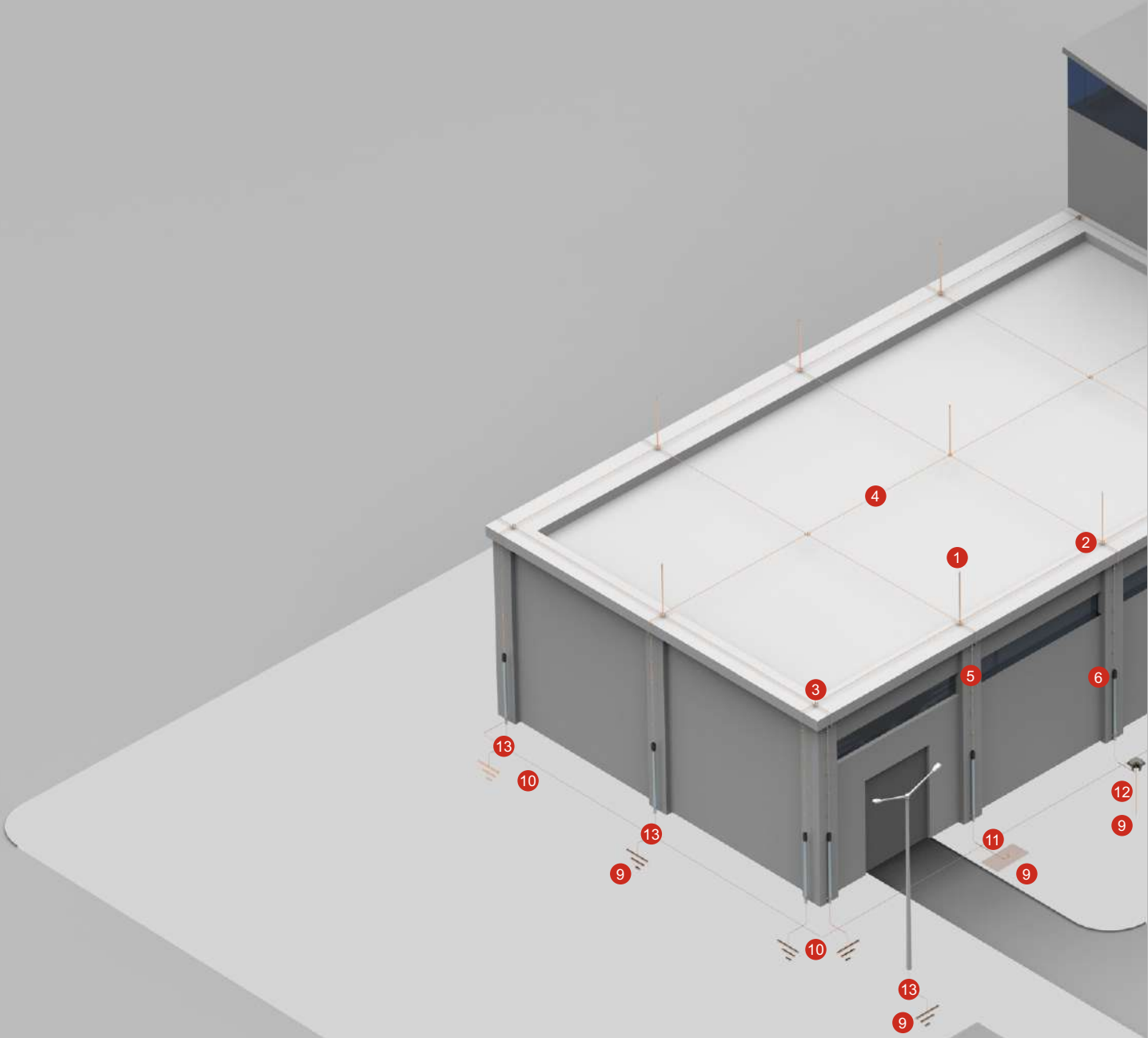


Dimensions, mm	Cable Tie Entry	Color	Tensile Strength	in bag	in carton	weight	ORDER CODE
Length x Width	mm			quantities	quantities		
			daN	pc	pc	kg	SİPARİŞ KODU
19 x 19	4	White	10 daN	100 pc	5.000 pc		S-1919
19 x 19	4	Black	10 daN	100 pc	5.000 pc		S-1919B
27 x 27	4,5	White	16 daN	100 pc	5.000 pc		S-2727
27 x 27	4,5	Black	16 daN	100 pc	5.000 pc		S-2727B



## Earthing Systems

Topraklama Sistemleri - Системы заземления



1 Yakalama Ucu / Air Rod	313
2 Yakalama Ucu Tabana Air Rod Base	314-316
3 Çata Klemensi / Roof Clips	318
4 İletken / Conductor	263-265
5 Duvar Klemensi / Wall Clips	319-322
6 Test Klemensi / Test Clamp	324-325
7 Muhafaza Borusu / Protective Pipe	312
8 Boru Kelepçesi / Protective Pipe Clip	312
9 Topraklama Elektrodu / Earth Rod	266-271
10 Ring iletkeni / Ring Conductor	261-265
11 Elektrod Klemensi / Earth Rod Clamp	282-287
12 Topraklama Rogara / Earth Inspection Pit	269
13 Termokaynak / Exothermic Welding	296-300



## Earthing Systems

Topraklama Sistemleri - Системы заземления



1	Aktif Paratoner / Active Lightning Conductor	306-308
2	Paratoner Tespit Adaptörü / Lightning Conductor Adapter	310
3	Paratoner Montaj Direti / Lightning Conductor Mast	309
4	Direk Montaj Keleçesi / Lightning Conductor Mast Clamp	309
5	Direk iniş Keleçesi / Pole Clips	317
6	Çata Klemensi / Roof Clips	318
7	İletken / Conductor	263-265
8	Duvar Klemensi / Wall Clips	319-322
9	Test Klemensi / Test Clamp	324-325
10	Yıldırım Sayacı / Lightning Strike Counter	307
11	Muhafaza Borusu / Protective Pipe	312
12	Boru Keleçesi / Protective Pipe Clip	312
13	Topraklama Elektrodu / Earth Rod	266-271
14	Elektrod Klemensi / Earth Rod Clamp	282-287



## Earthing Systems

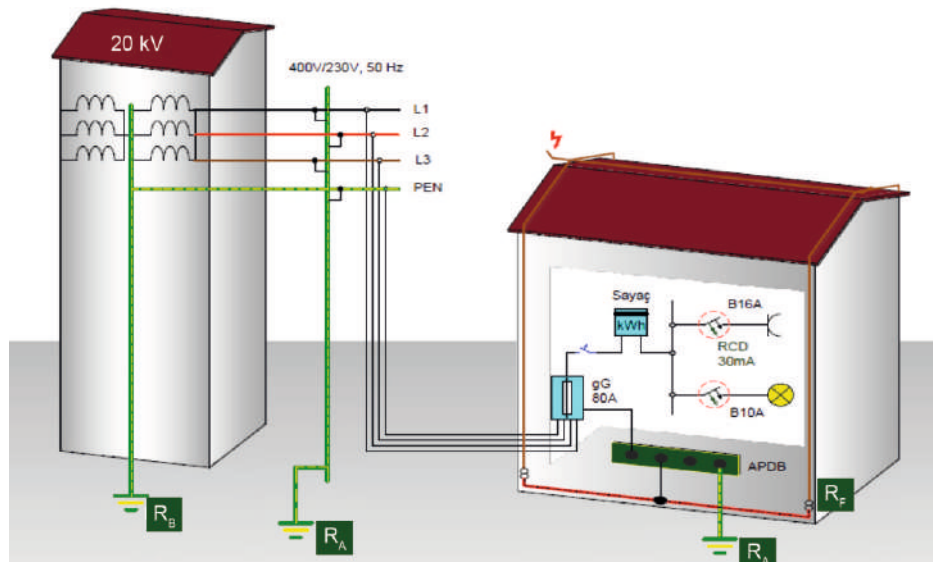
As a crucial safety element in electrical networks, earthing infrastructures have gained their long-deserved importance in the last years. Consequently, application criteria have improved with widening diversity of equipments. Having keen expertise in the application field, our company strives to serve beyond sales in providing every sort of equipment. In a sector that requires quick and correct delivery, MTK is able to meet the requirements of the customers with a wide product range of copper and galvanized conductors and related connection elements in a prompt fashion thanks to its diligence in stock and transportation.

In electricity terms, earthing is connecting a conductive element to the ground via a conductive path.

### Protective Earthing

Protective earthing ( $R_A$ ) is earthing of metal parts -that do not carry voltage under normal operation but may carry voltage due to a fault- in order to protect people or other living things against hazardous touch or step voltage.

In a low resistance protective earthing, a fault voltage is fed through the faulty circuit during the fault, therefore enabling the breakers to instantly break the circuit and therefore cut the energy on the faulty circuit.



### Operational and Functional Earthing

Operational Earthing ( $R_B$ ) is the earthing of the voltage of active parts of operational devices of an electrical facility that are under voltage against earth in attempt to keep at a specific value (e.g. star point earthing)

Functional Earthing ( $R_F$ ) is earthing of a communication facility or an operational device in order to resume the desired function.





## Foundation Earthing

In terms of installation and operation of electrical systems, the primary purpose of earthing is to protect humans and animals from hazardous voltages. In addition, earthing also prevents potential surges and secondary impacts. In Turkey, installation and operation of earthing facilities are regulated in issue 24500 of the Official Gazette (dtd. Aug.8, 2001) where all technical details for foundation earthing have been covered. In attempt to summarize the significance of these terms, extra care must be exercised at all times to acknowledge and practice them.

- Foundation earthing electrode should be made as a closed ring and be placed at the external walls or foundation platform of the building.
- Foundation earthing electrode should be thoroughly covered in concrete and placed in a way that it is surrounded with 5 cm of concrete at all its sides once the foundation concrete has been laid. Final points must extrude from the foundation.
- The placement of the earthing electrode inside the concrete must be fixed with supports at appropriate distances, such as with 30cm long rods in 2m intervals.
- In reinforced foundations (such as steel mesh), earthing electrode must be placed on the lowermost mesh and fixed to the steel mesh in 2m intervals.
- In foundation earthing, 30x3.5mm galvanized steel strips or 10mm diameter round galvanized steel rods must be used.
- In buildings with large base foundations, the area surrounding the foundation earthing must be installed in at most 20x20m sections.
- Connection joints of the foundation earthing must be at least 1,5 meter in length into the building and must be protected against corrosion at the points of exit.
- Potential balancing bars must be used at all times.
- For main potential balancing, connection elements or joints must be connected to the potential balancing bar and placed near the main panel of the building.
- For convenient separation of earth conductors during resistance measurements, related setup must be placed in a reachable manner.
- Separation assembly of the earth conductor must have high mechanical durability.
- Equipments to be used in foundation earthing must be chosen in order to prevent corrosion.
- Materials used in the rod joints must be of the same mechanical durability.
- Foundation earthing also serves as earthing in lightning protection systems. Therefore, a number of exits are left open using either cables with at least 50 mm<sup>2</sup> (NYY) section or steel strips.
- Foundation earthing must strictly comply with the pertaining details in the earthing project which is a prerequisite for the approval of the electrical project of the building.

## Calculation of Earth Resistance According to Soil Types

Foundation Earthing electrode

$$R_E = \frac{2q_E}{\pi \cdot D}$$

Earthing plate

$$R_E = \frac{q_E}{2D} \left( 0.5 + \frac{d}{4\pi \cdot H} \right)$$

Earthing mesh

$$R_E = \frac{q_E}{2D} \ln \frac{q_E}{L}$$

$q_E$  Soil resistivity (Ohm.m)

Length of earthing electrode (m)

d: If circular, diameter (mm) of earthing electrode  
If rectangular, half the thickness (short side) of earthing electrode (m)

Diameter of a circle equal to the area covered by the earthing electrode (m).

Area covered by the earthing electrode (m<sup>2</sup>)

H: Burying depth measured at center.

Earthing rod

$$R_E = \frac{q_E}{2\pi \cdot L} \times \ln \frac{4 \cdot L}{d}$$

Earthing strip

$$R_E = \frac{q_E}{\pi} \ln \frac{2L}{d}$$

Earthing ring

$$R_E = \frac{q_E}{D \cdot \pi^2} \ln \frac{2 \cdot \pi \cdot D}{d}$$

## Soil Resistivity Values

Resistivity of soil depends on the type, density, moisture and temperature. Although the following table can be used for different types of soil, it's more appropriate to use values determined by measurements made on site.

### Soil Resistivity in AC Current

Type of Soil	Soil Resistivity (Ohm.m)
Bataklık / Swamp	5 - 40
Çamur, Kil / Clay	20 - 200
Kum / Sand	200 - 2500
Çakıl / Gravel	2000 - 3000

$\rho = 100$  Ohm.m Diffusion Resistance Values for Earthing in Soil With a Resistivity of  $q$

Earthing electrode	30x3 mm Strip				d=20 mm Rod			
	10 m	25 m	50 m	100 m	1 m	1.5 m	3.5 m	7 m
$R_E$	30.25	13.27	7.07	3.76	84.4	60.55	29.80	16.48

Earthing electrode	Ring section (circular) 95mm <sup>2</sup> Cu d=12.7 mm				Foundation 30x3 mm Strip+Iron Armatures+ Concrete			
	20 m	50 m	100 m	150 m	20 m	50 m	100 m	150 m
$R_E$	4.67	2.05	1.1	0.76	3.18	1.27	0.64	0.42



## Örgülü Bakır İletkenler Bare Stranded Copper Cable

Part No.	Material	Conductor Diameter (mm <sup>2</sup> )	Stranding No. (Ø)	Nominal Diameter (Ø)	Weight (m)
ET.C.SW.10	Cu	10	7x1.35	4.20 mm	0,09
ET.C.SW.16	Cu	16	7x1.70	5.10 mm	0,14
ET.C.SW.25	Cu	25	7x2.14	6.42 mm	0,22
ET.C.SW.35	Cu	35	7x2.52	7.56 mm	0,31
ET.C.SW.50	Cu	50	7x3.00	8.90 mm	0,44
ET.C.SW.70	Cu	70	19x2.14	10.70 mm	0,62
ET.C.SW.95	Cu	95	19x2.52	12.60 mm	0,84
ET.C.SW.120	Cu	120	19x2.80	14.20 mm	1,07
ET.C.SW.150	Cu	150	37x2.25	15.75 mm	1,34
ET.C.SW.185	Cu	185	37x2.52	17.64 mm	1,65
ET.C.SW.240	Cu	240	61x2.25	20.25 mm	2,14



Bakır iletkenler EN 60228 Class 2'ye göre üretilmektedir.  
Copper conductors are manufactured according to EN 60228 Class 2  
Cu: Bakır / Copper

## Mono İletkenler Bare Solid Circular

Part No.	Material	Conductor Diameter (mm <sup>2</sup> )	Nominal Diameter (Ø)	Weight (m)
ET.C.MW.1.5	Cu	1.5	1.38 mm	0,01
ET.C.MW.2.5	Cu	2.5	1.78 mm	0,02
ET.C.MW.4	Cu	4	2.30 mm	0,04
ET.C.MW.6	Cu	6	2.80 mm	0,05
ET.C.MW.10	Cu	10	3.60 mm	0,09
ET.C.MW.16	Cu	16	4.50 mm	0,14
ET.C.MW.25	Cu	25	5.60 mm	0,22
ET.C.MW.35	Cu	35	6.00 mm	0,31
ET.C.MW.50	Cu	50	8.00 mm	0,44
ET.C.MW.70	Cu	70	9.50 mm	0,63
ET.A.MW.50	Al	50	8.00 mm	0,13
ET.A.MW.70	Al	70	9.50 mm	0,19



Bakır iletkenler EN 13601 - EN 13602'ye göre üretilmektedir.  
Copper conductors are manufactured according to EN 13601 - EN 13602.  
Alüminyum iletkenler EN 755-5'e göre üretilmektedir.  
Aluminum conductors are manufactured according to EN 755-5.  
Cu: Bakır / Copper  
Al: Alüminyum / Aluminium

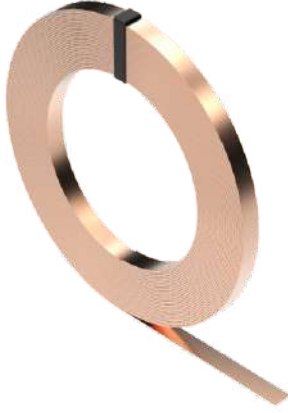
## Galvaniz Mono İletkenler Hot Dip Galvanized Mono Wire

Part No.	Material	Conductor Diameter	Standard Coil Size	Weight (m)
ET.FD.MW.8	StZn	8.0 mm	120 m ~	0,42
ET.FD.MW.10	StZn	10.0 mm	80 m ~	0,64



Galvaniz iletkenler EN 62561-2'e göre üretilmektedir.  
Galvanized conductors are manufactured according to EN 62561-2.  
St: Çelik / Steel  
Zn: Çinko / Zinc

### Bakır Şeritler Bare Copper Tape



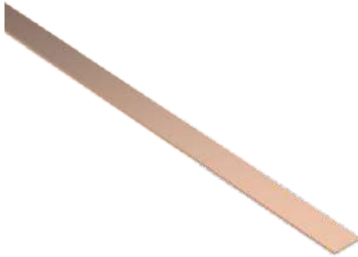
Part No.	Material	Conductor Diameter	Standard Coil Size	Weight (m)
ET.C.TS.252	Cu	25x2 mm	50 m ~	0,44
ET.C.TS.302	Cu	30x2 mm	50 m ~	0,53
ET.C.TS.203	Cu	20x3 mm	50 m ~	0,53
ET.C.TS.253	Cu	25x3 mm	50 m ~	0,67
ET.C.TS.303	Cu	30x3 mm	50 m ~	0,80
ET.C.TS.403	Cu	40x3 mm	50 m ~	1,07
ET.C.TS.205	Cu	20x5 mm	50 m ~	0,89
ET.C.TS.255	Cu	25x5 mm	50 m ~	1,11
ET.C.TS.305	Cu	30x5 mm	30 m ~	1,33
ET.C.TS.405	Cu	40x5 mm	25 m ~	1,78
ET.C.TS.505	Cu	50x5 mm	20 m ~	2,22
ET.C.TS.605	Cu	60x5 mm	20 m ~	2,67

Bakır iletkenler EN 13601'e göre üretilmektedir.

Copper conductors are manufactured according to EN 13601

Cu: Bakır / Copper

### Bakır Lamalar Hard Drawn Copper Bar



Part No.	Material	Conductor Diameter	Lenght	Weight (m)
ET.C.B.153	Cu	15x3 mm	3 m	0,40
ET.C.B.203	Cu	20x3 mm	5 m	0,53
ET.C.B.253	Cu	25x3 mm	5 m	0,67
ET.C.B.303	Cu	30x3 mm	5 m	0,80
ET.C.B.403	Cu	40x3 mm	5 m	1,07
ET.C.B.205	Cu	20x5 mm	5 m	0,89
ET.C.B.255	Cu	25x5 mm	5 m	1,11
ET.C.B.305	Cu	30x5 mm	5 m	1,33
ET.C.B.405	Cu	40x5 mm	5 m	1,78
ET.C.B.505	Cu	50x5 mm	5 m	2,22
ET.C.B.605	Cu	60x5 mm	5 m	2,67
ET.C.B.805	Cu	80x5 mm	5 m	3,56
ET.C.B.1005	Cu	100x5 mm	5 m	4,45
ET.C.B.1255	Cu	125x5 mm	5 m	5,56
ET.C.B.2010	Cu	20x10 mm	5 m	1,78
ET.C.B.3010	Cu	30x10 mm	5 m	2,67
ET.C.B.4010	Cu	40x10 mm	5 m	3,56
ET.C.B.5010	Cu	50x10 mm	5 m	4,45
ET.C.B.6010	Cu	60x10 mm	5 m	5,34
ET.C.B.8010	Cu	80x10 mm	5 m	7,12
ET.C.B.10010	Cu	100x10 mm	5 m	8,90
ET.C.B.12010	Cu	120x10 mm	5 m	10,68
ET.C.B.15010	Cu	150x10 mm	5 m	13,35
ET.C.B.16010	Cu	160x10 mm	5 m	14,24

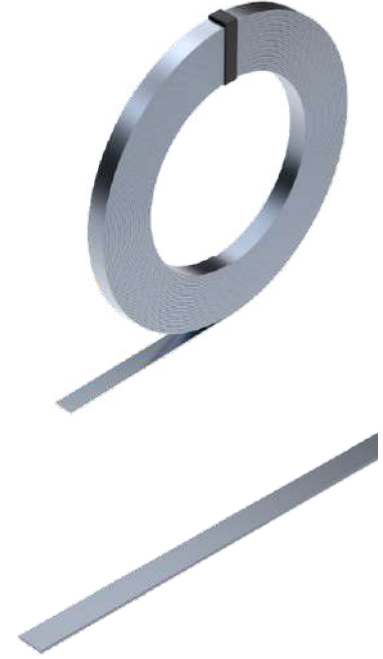
Bakır iletkenler EN 13601'e göre üretilmektedir. / Copper conductors are manufactured according to EN 13601

Cu: Bakır / Copper

## Galvaniz şeritler Hot Dip Galvanized Strip

Part No.	Material	Conductor Diameter	Standard Coil Size	Weight (m)
ET.FD.TS.303	StZn	30x3 mm	50 m ~	0,73
ET.FD.TS.3035	StZn	30x3.5 mm	50 m ~	0,85
ET.FD.TS.304	StZn	30x4 mm	50 m ~	0,96
ET.FD.TS.305	StZn	30x5 mm	40 m ~	1,20
ET.FD.TS.353	StZn	35x3 mm	50 m ~	0,85
ET.FD.TS.254	StZn	25x4 mm	50 m ~	0,80
ET.FD.TS.403	StZn	40x3 mm	50 m ~	0,96
ET.FD.TS.404	StZn	40x4 mm	40 m ~	1,30
ET.FD.TS.405	StZn	40x5 mm	40 m ~	1,60
ET.FD.TS.504	StZn	50x4 mm	40 m ~	1,60
ET.FD.TS.505	StZn	50x5 mm	40 m ~	2,00
ET.FD.TS.506	StZn	50x6 mm	6 m	2,40
ET.FD.TS.605	StZn	60x5 mm	6 m	2,40

Galvaniz iletkenler EN 62561-2'e göre üretilmektedir.  
Galvanized conductors are manufactured according to EN 62561-2  
St: Çelik / Steel Zn: Çinko / Zinc



## Pvc Kaplı Örgülü Bakır İletkenler Pvc Covered Stranded Copper Cable

Part No.	Material	Cross-Sectional Area (mm <sup>2</sup> )	Nominal Diameter (Ø)	Colour Range	Weight (m)
ET.İCSY.SW.10	Cu	10	6.10 mm	S&Y/Green&Yellow	0,11
ET.İCSY.SW.16	Cu	16	6.80 mm	S&Y/Green&Yellow	0,17
ET.İCSY.SW.25	Cu	25	8.80 mm	S&Y/Green&Yellow	0,26
ET.İCSY.SW.35	Cu	35	9.80 mm	S&Y/Green&Yellow	0,35
ET.İCSY.SW.50	Cu	50	11.50 mm	S&Y/Green&Yellow	0,50
ET.İCSY.SW.70	Cu	70	13.20 mm	S&Y/Green&Yellow	0,68
ET.İCSY.SW.95	Cu	95	15.00 mm	S&Y/Green&Yellow	0,93
ET.İCSY.SW.120	Cu	120	17.00 mm	S&Y/Green&Yellow	1,17
ET.İCSY.SW.150	Cu	150	19.00 mm	S&Y/Green&Yellow	1,45
ET.İCSY.SW.185	Cu	185	21.00 mm	S&Y/Green&Yellow	1,85
ET.İCSY.SW.240	Cu	240	24.50 mm	S&Y/Green&Yellow	2,35

Bakır iletkenler EN 60228 Class 2'ye göre üretilmektedir.  
Copper conductors are manufactured according to EN 60228 Class 2  
Cu: Bakır / Copper



## Pvc Kaplı Mono Bakır İletkenler Pvc Covered Copper Solid Circular

Part No.	Material	Conductor Diameter (mm <sup>2</sup> )	Nominal Diameter (Ø)	Colour Range	Weight (m)
ET.İCSY.MW.50	Cu	50	10.00 mm	S&Y/Green&Yellow	0,49
ET.İCSY.MW.70	Cu	70	11.50 mm	S&Y/Green&Yellow	0,68
ET.İCS.MW.50	Cu	50	10.00 mm	Siyah/Black	0,49
ET.İCS.MW.70	Cu	70	11.50 mm	Siyah/Black	0,68

Bakır iletkenler EN 13601'e göre üretilmektedir.  
Copper conductors are manufactured according to EN 13601  
Cu: Bakır / Copper



### Bakır Elektrodlar Solid Copper Earth Rod



Part No.	Material	Diameter	Threaded Size	Lenght	Weight (each)
ET.C.TE.14100	Cu	14 mm	M.8	1000 mm	1,35
ET.C.TE.14150	Cu	14 mm	M.8	1500 mm	2,04
ET.C.TE.16100	Cu	16 mm	M.10	1000 mm	1,77
ET.C.TE.16150	Cu	16 mm	M.10	1500 mm	2,67
ET.C.TE.16175	Cu	16 mm	M.10	1750 mm	3,11
ET.C.TE.16200	Cu	16 mm	M.10	2000 mm	3,56
ET.C.TE.16300	Cu	16 mm	M.10	3000 mm	5,35
ET.C.TE.18100	Cu	18 mm	M.12	1000 mm	2,23
ET.C.TE.18150	Cu	18 mm	M.12	1500 mm	3,37
ET.C.TE.18175	Cu	18 mm	M.12	1750 mm	3,93
ET.C.TE.18200	Cu	18 mm	M.12	2000 mm	4,50
ET.C.TE.18300	Cu	18 mm	M.12	3000 mm	6,80
ET.C.TE.20100	Cu	20 mm	M.12	1000 mm	2,76
ET.C.TE.20150	Cu	20 mm	M.12	1500 mm	4,15
ET.C.TE.20175	Cu	20 mm	M.12	1750 mm	4,85
ET.C.TE.20200	Cu	20 mm	M.12	2000 mm	5,55
ET.C.TE.20300	Cu	20 mm	M.12	3000 mm	8,35

Bakır Elektrodlar EN 62561-2'e göre üretilmektedir / Copper electrodes are manufactured according to EN 62561-2  
Cu: Bakır / Copper

### Bakır Elektrodlar Solid Copper Earth Rod



Part No.	Material	Diameter	Lenght	Weight (each)
ET.C.TES.14100	Cu	14 mm	1000 mm	1,35
ET.C.TES.14150	Cu	14 mm	1500 mm	2,04
ET.C.TES.16100	Cu	16 mm	1000 mm	1,77
ET.C.TES.16150	Cu	16 mm	1500 mm	2,67
ET.C.TES.16175	Cu	16 mm	1750 mm	3,11
ET.C.TES.16200	Cu	16 mm	2000 mm	3,56
ET.C.TES.16300	Cu	16 mm	3000 mm	5,35
ET.C.TES.18100	Cu	18 mm	1000 mm	2,23
ET.C.TES.18150	Cu	18 mm	1500 mm	3,37
ET.C.TES.18175	Cu	18 mm	1750 mm	3,93
ET.C.TES.18200	Cu	18 mm	2000 mm	4,50
ET.C.TES.18300	Cu	18 mm	3000 mm	6,80
ET.C.TES.20100	Cu	20 mm	1000 mm	2,76
ET.C.TES.20150	Cu	20 mm	1500 mm	4,15
ET.C.TES.20175	Cu	20 mm	1750 mm	4,85
ET.C.TES.20200	Cu	20 mm	2000 mm	5,55
ET.C.TES.20300	Cu	20 mm	3000 mm	8,35

Bakır Elektrodlar EN 62561-2'e göre üretilmektedir. / Copper electrodes are manufactured according to EN 62561-2  
Cu: Bakır / Copper Sn: Kalay / Tin

## Bakır Boru Geçme Çelik Elektrodlar Copper Plated Steel Earth Rod

Part No.	Material	Diameter	Copper Thickness	Threaded Size	Lenght	Weight (each)
ET.CFTE.18100	StCu	18 mm	1.0 mm	M.12	1000 mm	2,05
ET.CFTE.18150	StCu	18 mm	1.0 mm	M.12	1500 mm	3,05
ET.CFTE.18175	StCu	18 mm	1.0 mm	M.12	1750 mm	3,58
ET.CFTE.18200	StCu	18 mm	1.0 mm	M.12	2000 mm	4,10
ET.CFTE.18300	StCu	18 mm	1.0 mm	M.12	3000 mm	6,16
ET.CFTE.20100	StCu	20 mm	1.0 mm	M.12	1000 mm	2,55
ET.CFTE.20150	StCu	20 mm	1.0 mm	M.12	1500 mm	3,80
ET.CFTE.20175	StCu	20 mm	1.0 mm	M.12	1750 mm	4,45
ET.CFTE.20200	StCu	20 mm	1.0 mm	M.12	2000 mm	5,10
ET.CFTE.20300	StCu	20 mm	1.0 mm	M.12	3000 mm	7,65
ET.FD.TE.20100	StZn	20 mm	1.0 mm	M.12	1000 mm	2,55
ET.FD.TE.20150	StZn	20 mm	1.0 mm	M.12	1500 mm	3,80
ET.FD.TE.20175	StZn	20 mm	1.0 mm	M.12	1750 mm	4,45
ET.FD.TE.20200	StZn	20 mm	1.0 mm	M.12	2000 mm	5,10
ET.FD.TE.20300	StZn	20 mm	1.0 mm	M.12	3000 mm	7,65



Bakır Elektrodlar EN 62561-2'e göre üretilmektedir.  
Copper electrodes are manufactured according to EN 62561-2  
St: Çelik / Steel Cu: Bakır / Copper Zn:Çinko / Zinc

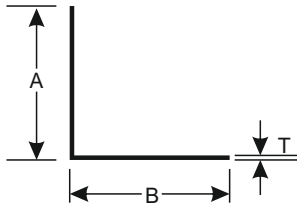
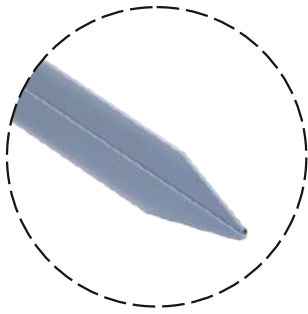
## Elektrod Bağlantı Aksesuarları Electrode Connection Accessories

Part No.	Material	Product Description	Spanner	Threaded Size	Weight (each)
ET.FE.ECV.10	St	Çakma Takoğu / Driving Stud	17 mm	M.10	0,02
ET.FE.ECV.12	St	Çakma Takoğu / Driving Stud	19 mm	M.12	0,02
ET.SS.ECV.10	Va	Çakma Takoğu / Driving Stud	17 mm	M.10	0,02
ET.SS.ECV.12	Va	Çakma Takoğu / Driving Stud	19 mm	M.12	0,02
ET.FE.ESV.10	St	Sivri Uç / Spike	17 mm	M.10	0,02
ET.FE.ESV.12	St	Sivri Uç / Spike	19 mm	M.12	0,02
ET.SS.ESV.10	Va	Sivri Uç / Spike	17 mm	M.10	0,02
ET.SS.ESV.12	Va	Sivri Uç / Spike	19 mm	M.12	0,02
ET.FE.EAV.10	St	Ara Bağlantı / Coupling Dowel		M.10	0,01
ET.FE.EAV.12	St	Ara Bağlantı / Coupling Dowel		M.12	0,02
ET.SS.EAV.10	Va	Ara Bağlantı / Coupling Dowel		M.10	0,01
ET.SS.EAV.12	Va	Ara Bağlantı / Coupling Dowel		M.12	0,02



St: Çelik / Steel  
Va: Paslanmaz Çelik / Stainless Steel

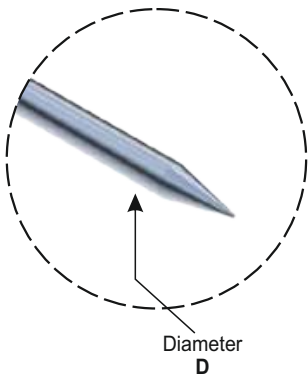
## Galvaniz Elektrodlar Hot Dip Galvanized Earth Rod



Part No.	Material	Dimensions (A*B*T)	Lenght	Weight (each)
ET.FD.TKK.404100	StZn	40x40x4 mm	1000 mm	2,40
ET.FD.TKK.404150	StZn	40x40x4 mm	1500 mm	3,60
ET.FD.TKK.505100	StZn	50x50x5 mm	1000 mm	3,90
ET.FD.TKK.505150	StZn	50x50x5 mm	1500 mm	5,80
ET.FD.TKK.505200	StZn	50x50x5 mm	2000 mm	7,80
ET.FD.TKK.604100	StZn	60x60x4 mm	1000 mm	3,70
ET.FD.TKK.604150	StZn	60x60x4 mm	1500 mm	5,60
ET.FD.TKK.604200	StZn	60x60x4 mm	2000 mm	7,40
ET.FD.TKK.605100	StZn	60x60x5 mm	1000 mm	4,60
ET.FD.TKK.605150	StZn	60x60x5 mm	1500 mm	6,90
ET.FD.TKK.605200	StZn	60x60x5 mm	2000 mm	9,10
ET.FD.TKK.606100	StZn	60x60x6 mm	1000 mm	5,40
ET.FD.TKK.606150	StZn	60x60x6 mm	1500 mm	8,10
ET.FD.TKK.606200	StZn	60x60x6 mm	2000 mm	11,00
ET.FD.TKK.655100	StZn	65x65x5 mm	1000 mm	4,90
ET.FD.TKK.655150	StZn	65x65x5 mm	1500 mm	7,50
ET.FD.TKK.655200	StZn	65x65x5 mm	2000 mm	10,00
ET.FD.TKK.656100	StZn	65x65x6 mm	1000 mm	6,20
ET.FD.TKK.656150	StZn	65x65x6 mm	1500 mm	9,00
ET.FD.TKK.656200	StZn	65x65x6 mm	2000 mm	12,00
ET.FD.TKK.657100	StZn	65x65x7 mm	1000 mm	7,00
ET.FD.TKK.657150	StZn	65x65x7 mm	1500 mm	10,50
ET.FD.TKK.657200	StZn	65x65x7 mm	2000 mm	14,00

Galvaniz Elektrodlar EN 62561-2'e göre üretilmektedir.  
Galvanized electrodes are manufactured according to EN 62561-2  
St: Çelik / Steel Zn:Çinko / Zinc

## Galvaniz Elektrodlar Hot Dip Galvanized Earth Rod



Part No.	Material	Diameter D	Lenght	Weight (each)
ET.FD.TES.16100	StZn	16 mm	1000 mm	1,60
ET.FD.TES.16150	StZn	16 mm	1500 mm	2,40
ET.FD.TES.16200	StZn	16 mm	2000 mm	3,20
ET.FD.TES.18100	StZn	18 mm	1000 mm	2,00
ET.FD.TES.18150	StZn	18 mm	1500 mm	3,00
ET.FD.TES.18200	StZn	18 mm	2000 mm	4,00
ET.FD.TES.20100	StZn	20 mm	1000 mm	2,50
ET.FD.TES.20150	StZn	20 mm	1500 mm	3,75
ET.FD.TES.20200	StZn	20 mm	2000 mm	5,00

Galvaniz Elektrodlar EN 62561-2'e göre üretilmektedir.  
Galvanized electrodes are manufactured according to EN 62561-2  
St: Çelik / Steel Zn:Çinko / Zinc



## Galvaniz Topraklama Rogarı Galvanized Inspection Pit

Part No.	Material	Dimensions	Height	Weight (each)
ET.FD.TR.300	StZn	300x300 mm	300 mm	9,00
ET.FD.TR.400	StZn	400x400 mm	400 mm	12,90

St: Çelik / Steel  
Zn: Çinko / Zinc



## Beton Topraklama Rogarı Concrete Inspection Pit

Part No.	Material	Dimensions	Height	Weight (each)
ET.BTN.TR.400200	Beton / Concrete	400x400 mm	200 mm	39,00
ET.BTN.TR.400400	Beton / Concrete	400x400 mm	400 mm	57,00
ET.BTN.TR.500300	Beton / Concrete	500x500 mm	300 mm	85,00
ET.BTN.TR.500500	Beton / Concrete	500x500 mm	500 mm	120,00

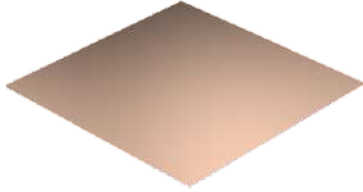


## Pvc Topraklama Rogarı Pvc Inspection Pit

Part No.	Material	Dimensions	Height	Weight (each)
ET.PVC.TR.000	Pvc	300x300 mm	210 mm	1,80

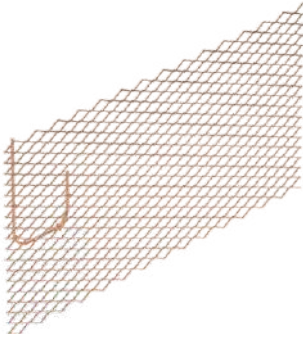


### Bakır Topraklama Levhaları Copper Earth Plate



Part No.	Material	Dimensions	Thickness	Weight (each)
ETC.TL.70010	Cu	700x700 mm	1.0 mm	4,36
ETC.TL.70015	Cu	700x700 mm	1.5 mm	6,54
ETC.TL.70020	Cu	700x700 mm	2.0 mm	8,72
ETC.TL.70030	Cu	700x700 mm	3.0 mm	13,08
ETC.TL.70040	Cu	700x700 mm	4.0 mm	17,44
ETC.TL.70050	Cu	700x700 mm	5.0 mm	21,80
ETC.TL.100010	Cu	1000x1000 mm	1.0 mm	8,90
ETC.TL.100015	Cu	1000x1000 mm	1.5 mm	13,35
ETC.TL.100020	Cu	1000x1000 mm	2.0 mm	17,80
ETC.TL.100025	Cu	1000x1000 mm	2.5 mm	22,25
ETC.TL.100030	Cu	1000x1000 mm	3.0 mm	26,70
ETC.TL.100040	Cu	1000x1000 mm	4.0 mm	35,60
ETC.TL.100050	Cu	1000x1000 mm	5.0 mm	44,50

Cu: Bakır / Copper

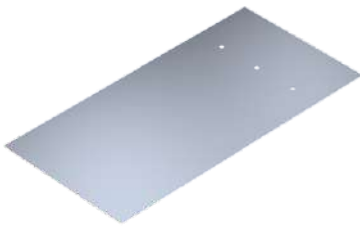


### Bakır Topraklama Levhaları - Kafes Tip Copper Earth Plate - Lattice Type

Part No.	Material	Dimensions	Thickness	Weight (each)
ETC.TLA.1005020	Cu	1000x500 mm	2.0 mm	2,00
ETC.TLA.10010020	Cu	1000x1000 mm	2.0 mm	4,00

Cu: Bakır / Copper

### Galvaniz Topraklama Levhaları Galvanized Earth Plate



Part No.	Material	Dimensions	Thickness	Weight (each)
ET.FD.TL.100010	StZn	1000x500 mm	1.0 mm	4,00
ET.FD.TL.100020	StZn	1000x500 mm	2.0 mm	8,00
ET.FD.TL.100025	StZn	1000x500 mm	2.5 mm	10,00
ET.FD.TL.100030	StZn	1000x500 mm	3.0 mm	12,00

St: Çelik / Steel  
Zn: Çinko / Zinc

### Toprak İyileştirici Komponent Ground Enhancement Component

Part No.	Weight (each)
ET.00.MT.12	12,00



### Toprak İyileştirici Komponent Ground Enhancement Component

Part No.	Weight (each)
ET.00.MT.11	11,20



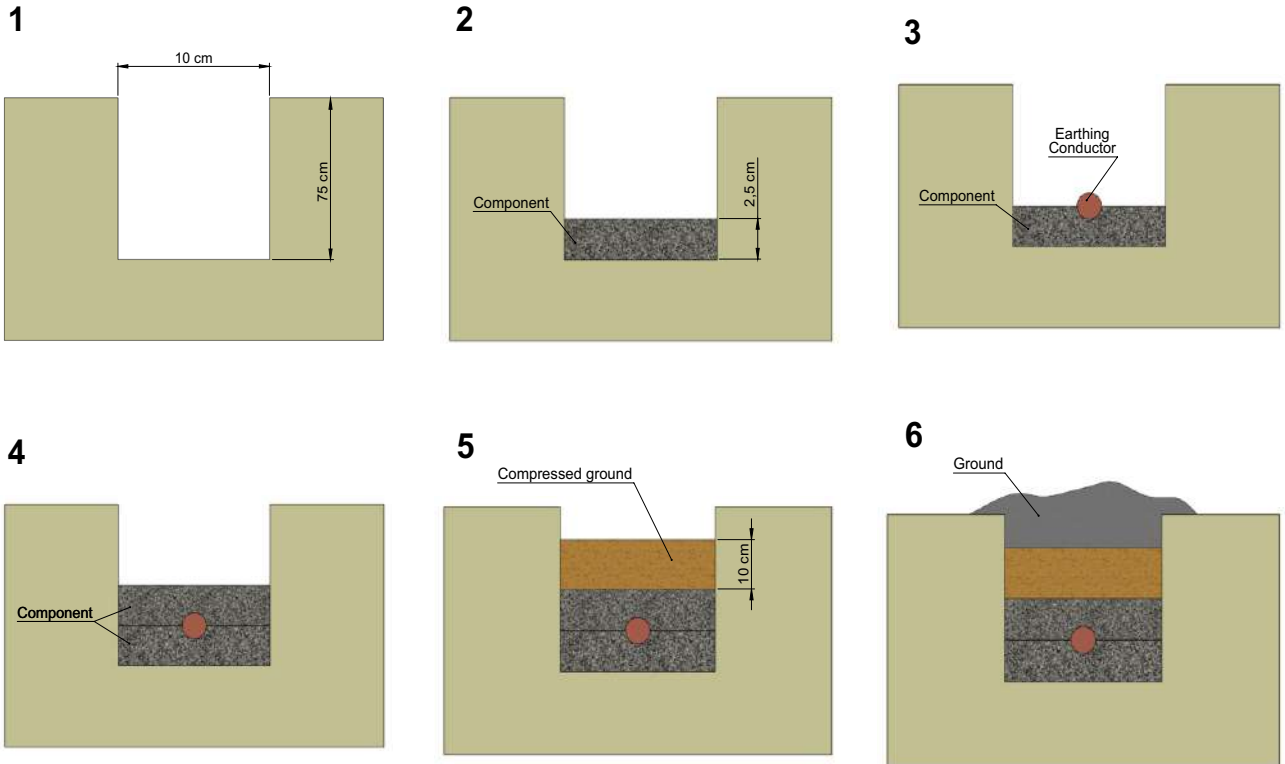
Topraklama geçiş direnci; Toprağa çakılan/gömülen iletkenlerin yüzeyi ile toprak arasındaki temastan dolayı oluşan bir dirençtir. Topraklama direncini istenilen seviyeye düşürebilmemiz, düşük topraklama geçiş dirençleriyle sağlanabilir. Topraklama Katkı Komponenti topraklama elektrodları ile toprak arasındaki elektriksel iletkenliği artıran iyon yapısı kuvvetli malzemelerdir.

Earthing transition resistance is generated as a result of the contact between the soil and the conductors inserted/buried. Decreasing the earthing resistance to a desired level is possible with low transition resistance. Earthing enhancement materials are ionized powders that increase the conductivity between the soil and the earthing electrodes.

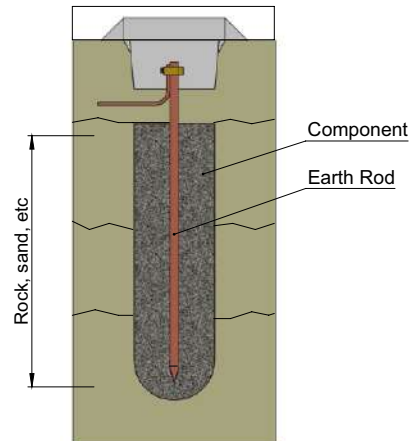
- Kolay Uygulanır  
Easy application
- Her Türlü Toprakta Kullanılır  
Applicable to any type of soil
- Hava Şartlarından Etkilenmez  
Weather-proof
- Periyodik olarak kontrol edilmesine gerek yoktur  
Does not require periodical check

## Toprak İyileştirici Komponent Ground Enhancement Component

Yatay (Şerit ve Yuvarlak Kesit) İletkenler için uygulama detayı  
Application details for strip and round section conductors

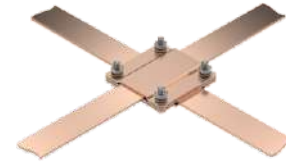
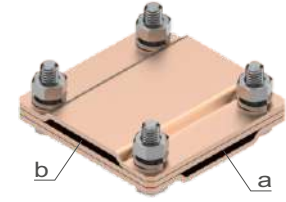


Dikey Elektrodlar için uygulama detayı  
Application details for vertical electrodes



### Bakır Bağlantı Klemensleri Copper Square Clamp

Part No.	Material	Screw Diameter	Conductor Diameter (a)	Conductor Diameter (b)	Weight (each)
ET.C.TKE.203.620E	Cu	M.6x20	20x3 mm	20x3 mm	0,19
ET.C.TKE.253.620E	Cu	M.6x20	25x3 mm	25x3 mm	0,19
ET.C.TKE.303.620E	Cu	M.6x20	30x3 mm	30x3 mm	0,19
ET.C.TKE.305.620E	Cu	M.6x20	30x5 mm	30x5 mm	0,19
ET.C.TKE.403.620E	Cu	M.6x20	40x3 mm	40x3 mm	0,24
ET.C.TKE.203.620SS	Cu	M.6x20	20x3 mm	20x3 mm	0,19
ET.C.TKE.253.620SS	Cu	M.6x20	25x3 mm	25x3 mm	0,19
ET.C.TKE.303.620SS	Cu	M.6x20	30x3 mm	30x3 mm	0,19
ET.C.TKE.305.620SS	Cu	M.6x20	30x5 mm	30x5 mm	0,19
ET.C.TKE.403.620SS	Cu	M.6x20	40x3 mm	40x3 mm	0,24



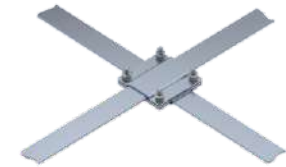
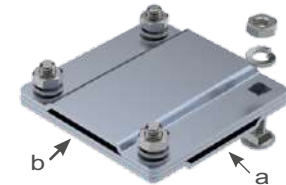
Cu: Bakır / Copper

Anahtar Ölçüsü / Spanner 10 mm

Ürün Kodu sonunda belirtilen "E" (Elektro galvaniz) ve "SS" (Paslanmaz) Civata Özelliğini belirler.  
"E" (Electro galvanized) and "SS" (Stainless) suffixes denote bolt properties.

### Galvaniz Bağlantı Klemensleri Hot Dip Galvanized Square Clamp

Part No.	Material	Screw Diameter	Conductor Diameter (a)	Conductor Diameter (b)	Weight (each)
ET.FD.TKE.203.620E	StZn	M.6x20	20x3 mm	20x3 mm	0,19
ET.FD.TKE.253.620E	StZn	M.6x20	25x3 mm	25x3 mm	0,19
ET.FD.TKE.303.620E	StZn	M.6x20	30x3 mm	30x3 mm	0,19
ET.FD.TKE.305.620E	StZn	M.6x20	30x5 mm	30x5 mm	0,19
ET.FD.TKE.404.620E	StZn	M.6x20	40x4 mm	40x4 mm	0,24
ET.FD.TKE.505.825E	StZn	M.8x25	50x5 mm	50x5 mm	0,40
ET.FD.TKE.605.825E	StZn	M.8x25	60x5 mm	60x5 mm	0,55



StZn: Galvanizli Çelik / Hot Dip Galvanized Steel

Anahtar Ölçüsü / Spanner 10 mm

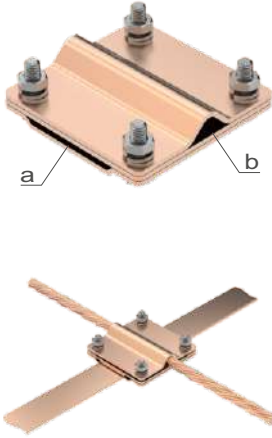
Ürün Kodu sonunda belirtilen "E" (Elektro galvaniz) Civata Özelliğini belirler.

"E" (Electro galvanized) suffixes denote bolt properties.

Kilitli Tip Özelliği: Kullanıcıya montaj kolaylığı sunmaktadır.

Square bolts for easy installation

### Bakır Bağlantı Klemensleri Copper Square Clamp



Part No.	Material	Screw Diameter	Conductor Diameter (a)	Conductor Diameter (b)	Weight (each)
ET.C.TKE.30325.620E	Cu	M.6x20	30x3 mm	25 mm <sup>2</sup>	0,19
ET.C.TKE.30335.620E	Cu	M.6x20	30x3 mm	35 mm <sup>2</sup>	0,19
ET.C.TKE.30350.620E	Cu	M.6x20	30x3 mm	50 mm <sup>2</sup>	0,20
ET.C.TKE.30370.620E	Cu	M.6x20	30x3 mm	70 mm <sup>2</sup>	0,20
ET.C.TKE.30395.620E	Cu	M.6x20	30x3 mm	95 mm <sup>2</sup>	0,20
ET.C.TKE.40325.620E	Cu	M.6x20	40x3 mm	25 mm <sup>2</sup>	0,24
ET.C.TKE.40335.620E	Cu	M.6x20	40x3 mm	35 mm <sup>2</sup>	0,24
ET.C.TKE.40350.620E	Cu	M.6x20	40x3 mm	50 mm <sup>2</sup>	0,25
ET.C.TKE.40370.620E	Cu	M.6x20	40x3 mm	70 mm <sup>2</sup>	0,25
ET.C.TKE.40395.620E	Cu	M.6x20	40x3 mm	95 mm <sup>2</sup>	0,26
ET.C.TKE.403120.620E	Cu	M.6x20	40x3 mm	120 mm <sup>2</sup>	0,26

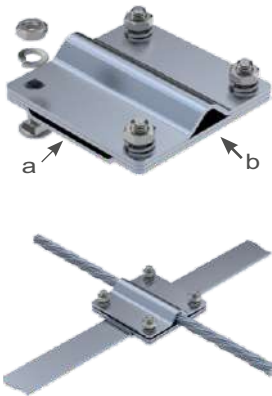
Cu: Bakır / Copper

Anahtar Ölçüsü / Spanner 10 mm

Ürün Kodu sonunda belirtilen "E" (Elektro galvaniz) Civata Özelliğini belirler.

"E" (Electro galvanized) suffixes denote bolt properties.

### Galvaniz Bağlantı Klemensleri Hot Dip Galvanized Square Clamp



Part No.	Material	Screw Diameter	Conductor Diameter (a)	Conductor Diameter (b)	Weight (each)
ET.FD.TKE.30325.620E	StZn	M.6x20	30x3 mm	25 mm <sup>2</sup>	0,19
ET.FD.TKE.30335.620E	StZn	M.6x20	30x3 mm	35 mm <sup>2</sup>	0,19
ET.FD.TKE.30350.620E	StZn	M.6x20	30x3 mm	50 mm <sup>2</sup>	0,19
ET.FD.TKE.30370.620E	StZn	M.6x20	30x3 mm	70 mm <sup>2</sup>	0,20
ET.FD.TKE.30395.620E	StZn	M.6x20	30x3 mm	95 mm <sup>2</sup>	0,20
ET.FD.TKE.40425.620E	StZn	M.6x20	40x4 mm	25 mm <sup>2</sup>	0,24
ET.FD.TKE.40435.620E	StZn	M.6x20	40x4 mm	35 mm <sup>2</sup>	0,24
ET.FD.TKE.40450.620E	StZn	M.6x20	40x4 mm	50 mm <sup>2</sup>	0,24
ET.FD.TKE.40470.620E	StZn	M.6x20	40x4 mm	70 mm <sup>2</sup>	0,24
ET.FD.TKE.40495.620E	StZn	M.6x20	40x4 mm	95 mm <sup>2</sup>	0,24
ET.FD.TKE.404120.620E	StZn	M.6x20	40x4 mm	120 mm <sup>2</sup>	0,25

StZn: Galvanizli Çelik / Hot Dip Galvanized Steel

Anahtar Ölçüsü / Spanner 10 mm

Ürün Kodu sonunda belirtilen "E" (Elektro galvaniz) Civata Özelliğini belirler.

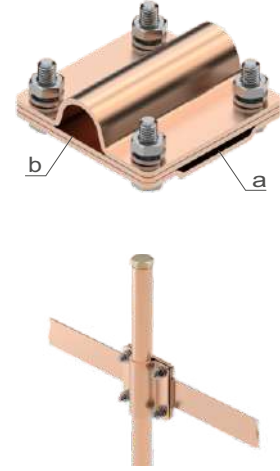
"E" (Electro galvanized) suffixes denote bolt properties.

Kilitli Tip Özelliği: Kullanıcıya montaj kolaylığı sunmaktadır.

Square bolts for easy installation

## Bakır Bağlantı Klemensleri Copper Square Clamp

Part No.	Material	Screw Diameter	Conductor Diameter (a)	Conductor Diameter (b)	Weight (each)
ET.C.TKE.30308.620E	Cu	M.6x20	30x3 mm	8.0 mm	0,19
ET.C.TKE.30310.620E	Cu	M.6x20	30x3 mm	10.0 mm	0,19
ET.C.TKE.30312.620E	Cu	M.6x20	30x3 mm	12.0 mm	0,19
ET.C.TKE.30316.620E	Cu	M.6x20	30x3 mm	16.0 mm	0,20
ET.C.TKE.30318.620E	Cu	M.6x20	30x3 mm	18.0 mm	0,20
ET.C.TKE.30320.620E	Cu	M.6x20	30x3 mm	20.0 mm	0,20
ET.C.TKE.30322.620E	Cu	M.6x20	30x3 mm	22.0 mm	0,20
ET.C.TKE.30326.620E	Cu	M.6x20	30x3 mm	26.0 mm	0,21



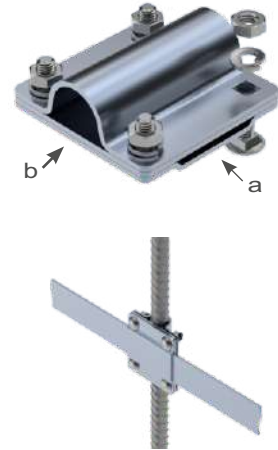
Cu: Bakır / Copper

Anahtar Ölçüsü / Spanner 10 mm

Ürün Kodu sonunda belirtilen "E" (Elektro galvaniz) Civata Özelliğini belirler.  
"E" (Electro galvanized) suffixes denote bolt properties.

## Galvaniz Bağlantı Klemensleri Hot Dip Galvanized Square Clamp

Part No.	Material	Screw Diameter	Conductor Diameter (a)	Rebar Diameter (b)	Weight (each)
ET.FD.TKE.30308.620E	StZn	M.6x20	30x3 mm	8.0 mm	0,19
ET.FD.TKE.30310.620E	StZn	M.6x20	30x3 mm	10.0 mm	0,19
ET.FD.TKE.30312.620E	StZn	M.6x20	30x3 mm	12.0 mm	0,19
ET.FD.TKE.30316.620E	StZn	M.6x20	30x3 mm	16.0 mm	0,20
ET.FD.TKE.30318.620E	StZn	M.6x20	30x3 mm	18.0 mm	0,20
ET.FD.TKE.30320.620E	StZn	M.6x20	30x3 mm	20.0 mm	0,20
ET.FD.TKE.30322.620E	StZn	M.6x20	30x3 mm	22.0 mm	0,20
ET.FD.TKE.30326.620E	StZn	M.6x20	30x3 mm	26.0 mm	0,21
ET.FD.TKE.30332.620E	StZn	M.6x20	30x3 mm	32.0 mm	0,28



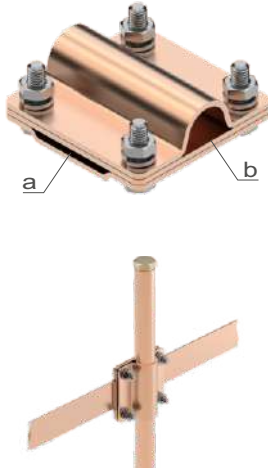
StZn: Galvanizli Çelik / Hot Dip Galvanized Steel

Anahtar Ölçüsü / Spanner 10 mm

Ürün Kodu sonunda belirtilen "E" (Elektro galvaniz) Civata Özelliğini belirler.  
"E" (Electro galvanized) suffixes denote bolt properties.

Kilitli Tip Özelliği: Kullanıcıya montaj kolaylığı sunmaktadır.  
Square bolts for easy installation

## Bakır Bağlantı Klemensleri Copper Square Clamp



Part No.	Material	Screw Diameter	Conductor Diameter (a)	Conductor Diameter (b)	Weight (each)
ET.C.TKE.40408.620E	Cu	M.6x20	40x4 mm	8.0 mm	0,24
ET.C.TKE.40410.620E	Cu	M.6x20	40x4 mm	10.0 mm	0,24
ET.C.TKE.40412.620E	Cu	M.6x20	40x4 mm	12.0 mm	0,24
ET.C.TKE.40416.620E	Cu	M.6x20	40x4 mm	16.0 mm	0,25
ET.C.TKE.40418.620E	Cu	M.6x20	40x4 mm	18.0 mm	0,25
ET.C.TKE.40420.620E	Cu	M.6x20	40x4 mm	20.0 mm	0,25
ET.C.TKE.40422.620E	Cu	M.6x20	40x4 mm	22.0 mm	0,25
ET.C.TKE.40426.620E	Cu	M.6x20	40x4 mm	26.0 mm	0,26

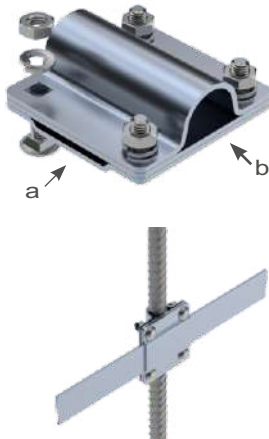
Cu: Bakır / Copper

Anahtar Ölçüsü / Spanner 10 mm

Ürün Kodu sonunda belirtilen "E" (Elektro galvaniz) Civata Özelliğini belirler.

"E" (Electro galvanized) sufExes denote bolt properties.

## Galvaniz Bağlantı Klemensleri Hot Dip Galvanized Square Clamp



Part No.	Material	Screw Diameter	Conductor Diameter (a)	Rebar Diameter (b)	Weight (each)
ET.FD.TKE.40408.620E	StZn	M.6x20	40x4 mm	8.0 mm	0,24
ET.FD.TKE.40410.620E	StZn	M.6x20	40x4 mm	10.0 mm	0,24
ET.FD.TKE.40412.620E	StZn	M.6x20	40x4 mm	12.0 mm	0,24
ET.FD.TKE.40416.620E	StZn	M.6x20	40x4 mm	16.0 mm	0,25
ET.FD.TKE.40418.620E	StZn	M.6x20	40x4 mm	18.0 mm	0,25
ET.FD.TKE.40420.620E	StZn	M.6x20	40x4 mm	20.0 mm	0,26
ET.FD.TKE.40422.620E	StZn	M.6x20	40x4 mm	22.0 mm	0,26
ET.FD.TKE.40426.620E	StZn	M.6x20	40x4 mm	26.0 mm	0,27
ET.FD.TKE.40432.620E	StZn	M.6x20	40x4 mm	32.0 mm	0,29

StZn: Galvanizli Çelik / Hot Dip Galvanized Steel

Anahtar Ölçüsü / Spanner 10 mm

Ürün Kodu sonunda belirtilen "E" (Elektro galvaniz) Civata Özelliğini belirler.

"E" (Electro galvanized) sufExes denote bolt properties

Kilitli Tip Özelliği: Kullanıcıya montaj kolaylığı sunmaktadır.

Square bolts for easy installation.



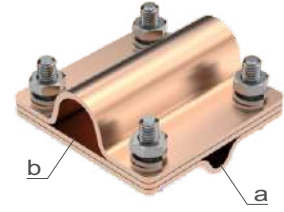
### Bakır Bağlantı Klemensleri Copper Square Clamp

Part No.	Material	Screw Diameter	Conductor Diameter (a)	Conductor Diameter (b)	Weight (each)
ET.C.TKE.25.620E	Cu	M.6x20	25 mm <sup>2</sup>	25 mm <sup>2</sup>	0,18
ET.C.TKE.2535.620E	Cu	M.6x20	25 mm <sup>2</sup>	35 mm <sup>2</sup>	0,18
ET.C.TKE.2550.620E	Cu	M.6x20	25 mm <sup>2</sup>	50 mm <sup>2</sup>	0,18
ET.C.TKE.2570.620E	Cu	M.6x20	25 mm <sup>2</sup>	70 mm <sup>2</sup>	0,18
ET.C.TKE.2595.620E	Cu	M.6x20	25 mm <sup>2</sup>	95 mm <sup>2</sup>	0,18
ET.C.TKE.25120.620E	Cu	M.6x20	25 mm <sup>2</sup>	120 mm <sup>2</sup>	0,18
ET.C.TKE.25150.620E	Cu	M.6x20	25 mm <sup>2</sup>	150 mm <sup>2</sup>	0,19
ET.C.TKE.25185.620E	Cu	M.6x20	25 mm <sup>2</sup>	185 mm <sup>2</sup>	0,19
ET.C.TKE.25240.620E	Cu	M.6x20	25 mm <sup>2</sup>	240 mm <sup>2</sup>	0,20

Cu: Bakır / Copper

Anahtar Ölçüsü / Spanner 10 mm

Ürün Kodu sonunda belirtilen "E" (Elektro galvaniz) Civata Özelliğini belirler.  
"E" (Electro galvanized) suffixes denote bolt properties.



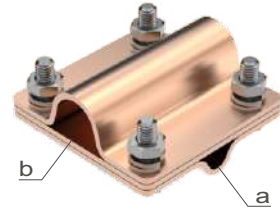
### Bakır Bağlantı Klemensleri Copper Square Clamp

Part No.	Material	Screw Diameter	Conductor Diameter (a)	Conductor Diameter (b)	Weight (each)
ET.C.TKE.35.620E	Cu	M.6x20	35 mm <sup>2</sup>	35 mm <sup>2</sup>	0,18
ET.C.TKE.3550.620E	Cu	M.6x20	35 mm <sup>2</sup>	50 mm <sup>2</sup>	0,18
ET.C.TKE.3570.620E	Cu	M.6x20	35 mm <sup>2</sup>	70 mm <sup>2</sup>	0,18
ET.C.TKE.3595.620E	Cu	M.6x20	35 mm <sup>2</sup>	95 mm <sup>2</sup>	0,18
ET.C.TKE.35120.620E	Cu	M.6x20	35 mm <sup>2</sup>	120 mm <sup>2</sup>	0,18
ET.C.TKE.35150.620E	Cu	M.6x20	35 mm <sup>2</sup>	150 mm <sup>2</sup>	0,19
ET.C.TKE.35185.620E	Cu	M.6x20	35 mm <sup>2</sup>	185 mm <sup>2</sup>	0,19
ET.C.TKE.35240.620E	Cu	M.6x20	35 mm <sup>2</sup>	240 mm <sup>2</sup>	0,20

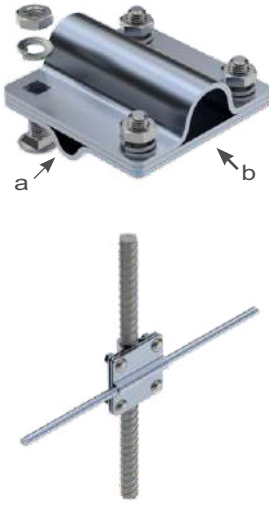
Cu: Bakır / Copper

Anahtar Ölçüsü / Spanner 10 mm

Ürün Kodu sonunda belirtilen "E" (Elektro galvaniz) Civata Özelliğini belirler.  
"E" (Electro galvanized) suffixes denote bolt properties.



### Galvaniz Bağlantı Klemensleri Hot Dip Galvanized Square Clamp



Part No.	Material	Screw Diameter	Conductor Diameter (a)	Rebar Diameter (b)	Weight (each)
ET.FD.TKE.08.620E	StZn	M.6x20	8.0 mm	8.0 mm	0,19
ET.FD.TKE.0810.620E	StZn	M.6x20	8.0 mm	10.0 mm	0,19
ET.FD.TKE.0816.620E	StZn	M.6x20	8.0 mm	16.0 mm	0,20
ET.FD.TKE.0818.620E	StZn	M.6x20	8.0 mm	18.0 mm	0,20
ET.FD.TKE.0820.620E	StZn	M.6x20	8.0 mm	20.0 mm	0,20
ET.FD.TKE.0822.620E	StZn	M.6x20	8.0 mm	22.0 mm	0,20
ET.FD.TKE.0826.620E	StZn	M.6x20	8.0 mm	26.0 mm	0,21
ET.FD.TKE.0832.620E	StZn	M.6x20	8.0 mm	32.0 mm	0,23
ET.FD.TKE.10.620E	StZn	M.6x20	10.0 mm	10.0 mm	0,19
ET.FD.TKE.1016.620E	StZn	M.6x20	10.0 mm	16.0 mm	0,20
ET.FD.TKE.1018.620E	StZn	M.6x20	10.0 mm	18.0 mm	0,20
ET.FD.TKE.1020.620E	StZn	M.6x20	10.0 mm	20.0 mm	0,20
ET.FD.TKE.1022.620E	StZn	M.6x20	10.0 mm	22.0 mm	0,20
ET.FD.TKE.1026.620E	StZn	M.6x20	10.0 mm	26.0 mm	0,21
ET.FD.TKE.12.620E	StZn	M.6x20	12.0 mm	12.0 mm	0,19
ET.FD.TKE.1216.620E	StZn	M.6x20	12.0 mm	16.0 mm	0,20
ET.FD.TKE.1218.620E	StZn	M.6x20	12.0 mm	18.0 mm	0,20
ET.FD.TKE.1220.620E	StZn	M.6x20	12.0 mm	20.0 mm	0,21
ET.FD.TKE.1222.620E	StZn	M.6x20	12.0 mm	22.0 mm	0,21
ET.FD.TKE.1226.620E	StZn	M.6x20	12.0 mm	26.0 mm	0,21
ET.FD.TKE.16.620E	StZn	M.6x20	16.0 mm	16.0 mm	0,21
ET.FD.TKE.1618.620E	StZn	M.6x20	16.0 mm	18.0 mm	0,21
ET.FD.TKE.1620.620E	StZn	M.6x20	16.0 mm	20.0 mm	0,22
ET.FD.TKE.1622.620E	StZn	M.6x20	16.0 mm	22.0 mm	0,22
ET.FD.TKE.1626.620E	StZn	M.6x20	16.0 mm	26.0 mm	0,22
ET.FD.TKE.20.620E	StZn	M.6x20	20.0 mm	20.0 mm	0,22
ET.FD.TKE.2022.620E	StZn	M.6x20	20.0 mm	22.0 mm	0,22
ET.FD.TKE.2026.620E	StZn	M.6x20	20.0 mm	26.0 mm	0,23

StZn: Galvanizli Çelik / Hot Dip Galvanized Steel

Anahtar Ölçüsü / Spanner 10 mm

Ürün Kodu sonunda belirtilen "E" (Elektro galvaniz) Civata Özelliğini belirler.

"E" (Electro galvanized) sufExes denote bolt properties.

Kilitli Tip Özelliği: Kullanıcıya montaj kolaylığı sunmaktadır.

Square bolts for easy installation.

## Galvaniz Dikey Bağlantı Klemensleri Hot Dip Galvanized Vertical Clamp

Part No.	Material	Screw Diameter	Conductor Diameter (a)	Rebar Diameter (b)	Weight (each)
ET.FD.TKY.30308.825E	StZn	M.8x25	30x3 mm	8.0 mm	0,22
ET.FD.TKY.30312.825E	StZn	M.8x25	30x3 mm	12.0 mm	0,22
ET.FD.TKY.30316.825E	StZn	M.8x25	30x3 mm	16.0 mm	0,22
ET.FD.TKY.30320.825E	StZn	M.8x25	30x3 mm	20.0 mm	0,22
ET.FD.TKY.30322.825E	StZn	M.8x25	30x3 mm	22.0 mm	0,22
ET.FD.TKY.30326.825E	StZn	M.8x25	30x3 mm	26.0 mm	0,22
ET.FD.TKY.40408.825E	StZn	M.8x25	40x4 mm	8.0 mm	0,26
ET.FD.TKY.40412.825E	StZn	M.8x25	40x4 mm	12.0 mm	0,26
ET.FD.TKY.40416.825E	StZn	M.8x25	40x4 mm	16.0 mm	0,26
ET.FD.TKY.40420.825E	StZn	M.8x25	40x4 mm	20.0 mm	0,26
ET.FD.TKY.40422.825E	StZn	M.8x25	40x4 mm	22.0 mm	0,26
ET.FD.TKY.40426.825E	StZn	M.8x25	40x4 mm	26.0 mm	0,26



StZn: Galvanizli Çelik / Hot Dip Galvanized Steel

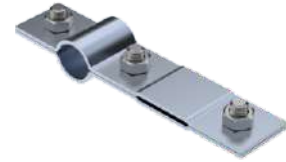
Anahtar Ölçüsü / Spanner 13 mm

Ürün Kodu sonunda belirtilen "E" (Elektro galvaniz) Civata Özelliğini belirler.

"E" (Electro galvanized) suffixes denote bolt properties.

## Galvaniz Yatay Bağlantı Hot Dip Galvanized Horizontal Clamp

Part No.	Material	Screw Diameter	Conductor Diameter (a)	Rebar Diameter (b)	Weight (each)
ET.FD.TKD.30308.825E	StZn	M.8x25	30x3 mm	8.0 mm	0,22
ET.FD.TKD.30312.825E	StZn	M.8x25	30x3 mm	12.0 mm	0,22
ET.FD.TKD.30316.825E	StZn	M.8x25	30x3 mm	16.0 mm	0,22
ET.FD.TKD.30320.825E	StZn	M.8x25	30x3 mm	20.0 mm	0,22
ET.FD.TKD.30326.825E	StZn	M.8x25	30x3 mm	26.0 mm	0,23
ET.FD.TKD.40408.825E	StZn	M.8x25	40x4 mm	8.0 mm	0,26
ET.FD.TKD.40412.825E	StZn	M.8x25	40x4 mm	12.0 mm	0,26
ET.FD.TKD.40416.825E	StZn	M.8x25	40x4 mm	16.0 mm	0,26
ET.FD.TKD.40420.825E	StZn	M.8x25	40x4 mm	20.0 mm	0,26
ET.FD.TKD.40426.825E	StZn	M.8x25	40x4 mm	26.0 mm	0,27

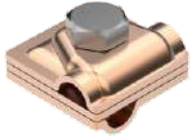


StZn: Galvanizli Çelik / Hot Dip Galvanized Steel

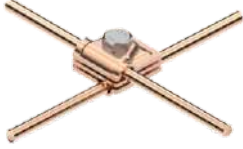
Anahtar Ölçüsü / Spanner 13 mm

Ürün Kodu sonunda belirtilen "E" (Elektro galvaniz) Civata Özelliğini belirler.

"E" (Electro galvanized) suffixes denote bolt properties.



### İletken Bağlantı Klemensleri Conductor Clamp



ET.FD.TKPZ.5070.1025E

Part No.	Material	Screw Diameter	Conductor Diameter (a)	Conductor Diameter (b)	Weight (each)
ET.A.TKP5070.1025E	Al	M.10x25	50 mm <sup>2</sup>	70 mm <sup>2</sup>	0,06
ET.C.TKP5070.1025E	Cu	M.10x25	50 mm <sup>2</sup>	70 mm <sup>2</sup>	0,13
ET.FD.TKP5070.1025E	StZn	M.10x25	50 mm <sup>2</sup>	70 mm <sup>2</sup>	0,12
ET.A.TKP5070.1025SS	Al	M.10x25	50 mm <sup>2</sup>	70 mm <sup>2</sup>	0,06
ET.C.TKP5070.1025SS	Cu	M.10x25	50 mm <sup>2</sup>	70 mm <sup>2</sup>	0,13
ET.FD.TKP5070.1025SS	StZn	M.10x25	50 mm <sup>2</sup>	70 mm <sup>2</sup>	0,12
ET.FD.TKPZ.5070.1025E	StZn	M.10x25	50 mm <sup>2</sup>	70 mm <sup>2</sup>	0,12

Al: Alüminyum / Aluminium

Cu: Bakır / Copper

StZn: Galvanizli Çelik / Hot Dip Galvanized Steel

Anahtar Ölçüsü / Spanner 17 mm

Ürün Kodu sonunda belirtilen "E" (Elektro galvaniz) ve "SS" (Paslanmaz) Civata Özelliğini belirler.  
"E" (Electro galvanized) and "SS" (Stainless) sufExes denote bolt properties.



### İletken Bağlantı Klemensleri Rebar to Conductor Connecting Clip



Part No.	Material	Screw Diameter	Conductor Diameter (a)	Rebar Diameter (b)	Weight (each)
ET.FD.TKOP30322.820E	StZn	M.8x20	30x3 mm	8.0-22.0 mm	0,08
ET.FD.TKOP30326.820E	StZn	M.8x20	30x3 mm	20.0-26.0 mm	0,10
ET.FD.TKOP30332.820E	StZn	M.8x20	30x3 mm	26.0-32.0 mm	0,12
ET.FD.TKOP1022.840E	StZn	M.8x40	10.0 mm	8.0-22.0 mm	0,15
ET.FD.TKOP1026.840E	StZn	M.8x40	10.0 mm	20.0-26.0 mm	0,17
ET.FD.TKOP1032.840E	StZn	M.8x40	10.0 mm	26.0-32.0 mm	0,19

StZn: Galvanizli Çelik / Hot Dip Galvanized Steel

Anahtar Ölçüsü / Spanner 13 mm

Ürün Kodu sonunda belirtilen "E" (Elektro galvaniz) Civata Özelliğini belirler.

"E" (Electro galvanized) sufExes denote bolt properties.

## İletken Tespit Kroşesi Dc Conductor Clip

Part No.	Material	Screw Diameter	Conductor Diameter	Weight (each)
ET.FD.TKU.303.510E	StZn	M.5x10	30x3 mm	0,08
ET.FD.TKU.404.510E	StZn	M.5x10	40x4 mm	0,08
ET.FD.TKU.8.510E	StZn	M.5x10	8.0 mm	0,08
ET.FD.TKU.10.510E	StZn	M.5x10	10.0 mm	0,08
ET.FD.TKU.12.510E	StZn	M.5x10	12.0 mm	0,08
ET.C.TKU.303.510E	Cu	M.5x10	30x3 mm	0,09
ET.C.TKU.404.510E	Cu	M.5x10	40x4 mm	0,09
ET.C.TKU.8.510E	Cu	M.5x10	8.0 mm	0,09
ET.C.TKU.10.510E	Cu	M.5x10	10.0 mm	0,09
ET.C.TKU.12.510E	Cu	M.5x10	12.0 mm	0,09
ET.C.TKU.14.510E	Cu	M.5x10	14.0 mm	0,09
ET.C.TKU.16.510E	Cu	M.5x10	16.0 mm	0,09
ET.C.TKU.18.510E	Cu	M.5x10	18.0 mm	0,10
ET.C.TKU.20.510E	Cu	M.5x10	20.0 mm	0,10

Cu: Bakır / Copper

StZn: Galvanizli Çelik / Hot Dip Galvanized Steel

Montaj Deliği / Hole Diameter : 6,5 x 15mm

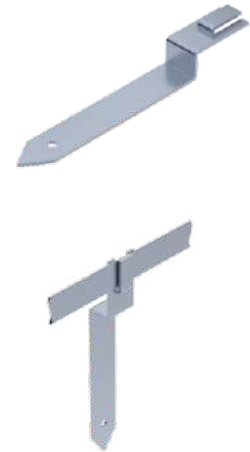
Ürün Kodu sonunda belirtilen "E" (Elektro galvaniz) ve "SS" (Paslanmaz) Civata Özelliğini belirler.  
"E" (Electro galvanized) and "SS" (Stainless) suffixes denote bolt properties.



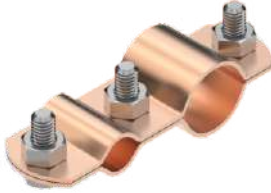
## İletken Mesafe Tutucu Earth Strip Holder

Part No.	Material	Conductor Diameter	Weight (each)
ET.FD.TMT.303	StZn	30x3 mm -30x3.5 mm	0,37

StZn: Galvanizli Çelik / Hot Dip Galvanized Steel



### Elektrod Bağlantı Klemensleri (H Tipi) Rod to Cable Clamp (Type H)

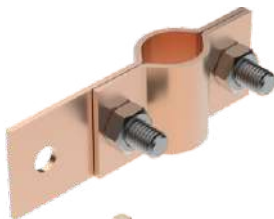


Part No.	Material	Screw Diameter	Rod Diameter	Conductor Diameter	Weight (each)
ET.C.EKH.14150.620E	Cu	M.6x20	14.0 mm	50 mm <sup>2</sup>	0,06
ET.C.EKH.16110.620E	Cu	M.6x20	16.0 mm	10 mm <sup>2</sup>	0,06
ET.C.EKH.16116.620E	Cu	M.6x20	16.0 mm	16 mm <sup>2</sup>	0,06
ET.C.EKH.16125.620E	Cu	M.6x20	16.0 mm	25 mm <sup>2</sup>	0,06
ET.C.EKH.16135.620E	Cu	M.6x20	16.0 mm	35 mm <sup>2</sup>	0,06
ET.C.EKH.16150.620E	Cu	M.6x20	16.0 mm	50 mm <sup>2</sup>	0,06
ET.C.EKH.16170.620E	Cu	M.6x20	16.0 mm	70 mm <sup>2</sup>	0,06
ET.C.EKH.16195.620E	Cu	M.6x20	16.0 mm	95 mm <sup>2</sup>	0,06
ET.C.EKH.161120.620E	Cu	M.6x20	16.0 mm	120 mm <sup>2</sup>	0,06
ET.C.EKH.18110.620E	Cu	M.6x20	18.0 mm	10 mm <sup>2</sup>	0,06
ET.C.EKH.18116.620E	Cu	M.6x20	18.0 mm	16 mm <sup>2</sup>	0,06
ET.C.EKH.18125.620E	Cu	M.6x20	18.0 mm	25 mm <sup>2</sup>	0,06
ET.C.EKH.18135.620E	Cu	M.6x20	18.0 mm	35 mm <sup>2</sup>	0,06
ET.C.EKH.18150.620E	Cu	M.6x20	18.0 mm	50 mm <sup>2</sup>	0,06
ET.C.EKH.18170.620E	Cu	M.6x20	18.0 mm	70 mm <sup>2</sup>	0,06
ET.C.EKH.18195.620E	Cu	M.6x20	18.0 mm	95 mm <sup>2</sup>	0,06
ET.C.EKH.181120.620E	Cu	M.6x20	18.0 mm	120 mm <sup>2</sup>	0,06
ET.C.EKH.20110.620E	Cu	M.6x20	20.0 mm	10 mm <sup>2</sup>	0,06
ET.C.EKH.20116.620E	Cu	M.6x20	20.0 mm	16 mm <sup>2</sup>	0,06
ET.C.EKH.20125.620E	Cu	M.6x20	20.0 mm	25 mm <sup>2</sup>	0,06
ET.C.EKH.20135.620E	Cu	M.6x20	20.0 mm	35 mm <sup>2</sup>	0,06
ET.C.EKH.20150.620E	Cu	M.6x20	20.0 mm	50 mm <sup>2</sup>	0,06
ET.C.EKH.20170.620E	Cu	M.6x20	20.0 mm	70 mm <sup>2</sup>	0,06
ET.C.EKH.20195.620E	Cu	M.6x20	20.0 mm	95 mm <sup>2</sup>	0,06
ET.C.EKH.201120.620E	Cu	M.6x20	20.0 mm	120 mm <sup>2</sup>	0,06

Cu: Bakır / Copper

Anahtar Ölçüsü / Spanner 10 mm

Ürün Kodu sonunda belirtilen "E" (Elektro galvaniz) ve "SS" (Paslanmaz) Civata Özelliğini belirler.  
"E" (Electro galvanized) and "SS" (Stainless) suffixes denote bolt properties.



### Elektrod Bağlantı Klemensleri (K Tipi) Rod to Cable Clamp (Type K)

Part No.	Material	Screw Diameter	Rod Diameter	Hole Diameter	Weight (each)
ET.C.EKK.16M8.620E	Cu	M.6x20	16.0 mm	8.5 mm	0,07
ET.C.EKK.18M8.620E	Cu	M.6x20	18.0 mm	8.5 mm	0,07
ET.C.EKK.20M8.620E	Cu	M.6x20	20.0 mm	8.5 mm	0,07
ET.C.EKK.22M8.620E	Cu	M.6x20	22.0 mm	8.5 mm	0,07

Cu: Bakır / Copper

Anahtar Ölçüsü / Spanner 10 mm

Ürün Kodu sonunda belirtilen "E" (Elektro galvaniz) ve "SS" (Paslanmaz) Civata Özelliğini belirler.  
"E" (Electro galvanized) and "SS" (Stainless) suffixes denote bolt properties.

## Elektrod Bağlantı Klemensleri (J Tipi) Rod to Tape Clamp (Type J)

Part No.	Material	Screw Diameter	Rod Diameter	Conductor Diameter	Weight (each)
ET.C.EKJ.16203.825E	Cu	M.8x25	16.0 mm	20x3 mm	0,35
ET.C.EKJ.16253.825E	Cu	M.8x25	16.0 mm	25x3 mm	0,35
ET.C.EKJ.16303.825E	Cu	M.8x25	16.0 mm	30x3 mm	0,35
ET.C.EKJ.16404.825E	Cu	M.8x25	16.0 mm	40x4 mm	0,35
ET.C.EKJ.18203.825E	Cu	M.8x25	18.0 mm	20x3 mm	0,35
ET.C.EKJ.18253.825E	Cu	M.8x25	18.0 mm	25x3 mm	0,35
ET.C.EKJ.18303.825E	Cu	M.8x25	18.0 mm	30x3 mm	0,35
ET.C.EKJ.18404.825E	Cu	M.8x25	18.0 mm	40x4 mm	0,35
ET.C.EKJ.20203.825E	Cu	M.8x25	20.0 mm	20x3 mm	0,35
ET.C.EKJ.20253.825E	Cu	M.8x25	20.0 mm	25x3 mm	0,35
ET.C.EKJ.20303.825E	Cu	M.8x25	20.0 mm	30x3 mm	0,35
ET.C.EKJ.20404.825E	Cu	M.8x25	20.0 mm	40x4 mm	0,35

Cu: Bakır / Copper

Anahtar Ölçüsü / Spanner 13 mm

Ürün Kodu sonunda belirtilen "E" (Elektro galvaniz) ve "SS" (Paslanmaz) Civata Özelliğini belirler. "E" (Electro galvanized) and "SS" (Stainless) sufExes denote bolt properties.



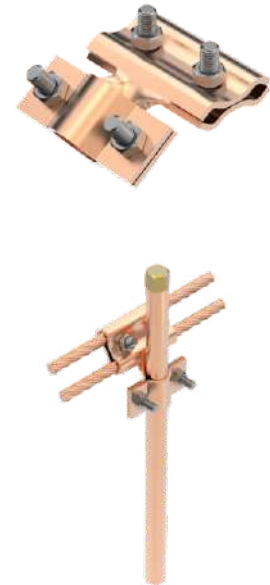
## Elektrod Bağlantı Klemensleri (J Tipi) Rod to Cable Clamp (Type J)

Part No.	Material	Screw Diameter	Rod Diameter	Conductor Diameter	Weight (each)
ET.C.EKJ.16235.825E	Cu	M.8x25	16.0 mm	2x35 mm <sup>2</sup>	0,25
ET.C.EKJ.16250.825E	Cu	M.8x25	16.0 mm	2x50 mm <sup>2</sup>	0,25
ET.C.EKJ.16270.825E	Cu	M.8x25	16.0 mm	2x70 mm <sup>2</sup>	0,25
ET.C.EKJ.16295.825E	Cu	M.8x25	16.0 mm	2x95 mm <sup>2</sup>	0,25
ET.C.EKJ.162120.825E	Cu	M.8x25	16.0 mm	2x120 mm <sup>2</sup>	0,25
ET.C.EKJ.18235.825E	Cu	M.8x25	18.0 mm	2x35 mm <sup>2</sup>	0,25
ET.C.EKJ.18250.825E	Cu	M.8x25	18.0 mm	2x50 mm <sup>2</sup>	0,25
ET.C.EKJ.18270.825E	Cu	M.8x25	18.0 mm	2x70 mm <sup>2</sup>	0,25
ET.C.EKJ.18295.825E	Cu	M.8x25	18.0 mm	2x95 mm <sup>2</sup>	0,25
ET.C.EKJ.182120.825E	Cu	M.8x25	18.0 mm	2x120 mm <sup>2</sup>	0,25
ET.C.EKJ.20235.825E	Cu	M.8x25	20.0 mm	2x35 mm <sup>2</sup>	0,25
ET.C.EKJ.20250.825E	Cu	M.8x25	20.0 mm	2x50 mm <sup>2</sup>	0,25
ET.C.EKJ.20270.825E	Cu	M.8x25	20.0 mm	2x70 mm <sup>2</sup>	0,25
ET.C.EKJ.20295.825E	Cu	M.8x25	20.0 mm	2x95 mm <sup>2</sup>	0,25
ET.C.EKJ.202120.825E	Cu	M.8x25	20.0 mm	2x120 mm <sup>2</sup>	0,25

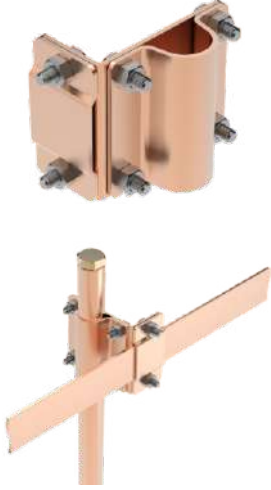
Cu: Bakır / Copper

Anahtar Ölçüsü / Spanner 13 mm

Ürün Kodu sonunda belirtilen "E" (Elektro galvaniz) ve "SS" (Paslanmaz) Civata Özelliğini belirler. "E" (Electro galvanized) and "SS" (Stainless) sufExes denote bolt properties.



### Elektrod Bağlantı Klemensleri (L Tipi) Rod to Tape Clamp (Type L)



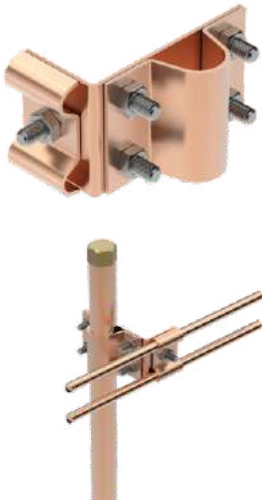
Part No.	Material	Screw Diameter	Rod Diameter	Conductor Diameter	Weight (each)
ET.C.EKL.16203.620E	Cu	M.6x20	16.0 mm	20x3 mm	0,21
ET.C.EKL.16253.620E	Cu	M.6x20	16.0 mm	25x3 mm	0,24
ET.C.EKL.16303.620E	Cu	M.6x20	16.0 mm	30x3 mm	0,24
ET.C.EKL.18203.620E	Cu	M.6x20	18.0 mm	20x3 mm	0,21
ET.C.EKL.18253.620E	Cu	M.6x20	18.0 mm	25x3 mm	0,24
ET.C.EKL.18303.620E	Cu	M.6x20	18.0 mm	30x3 mm	0,24
ET.C.EKL.20203.620E	Cu	M.6x20	20.0 mm	20x3 mm	0,21
ET.C.EKL.20253.620E	Cu	M.6x20	20.0 mm	25x3 mm	0,24
ET.C.EKL.20303.620E	Cu	M.6x20	20.0 mm	30x3 mm	0,24

Cu: Bakır / Copper

Anahtar Ölçüsü / Spanner 10 mm

Ürün Kodu sonunda belirtilen "E" (Elektro galvaniz) ve "SS" (Paslanmaz) Civata Özelliğini belirler. "E" (Electro galvanized) and "SS" (Stainless) sufExes denote bolt properties.

### Elektrod Bağlantı Klemensleri (L Tipi) Rod to Cable Clamp (Type L)



Part No.	Material	Screw Diameter	Rod Diameter	Conductor Diameter	Weight (each)
ET.C.EKL.16250.620E	Cu	M.6x20	16.0 mm	2x50 mm <sup>2</sup>	0,13
ET.C.EKL.16270.620E	Cu	M.6x20	16.0 mm	2x70 mm <sup>2</sup>	0,13
ET.C.EKL.16295.620E	Cu	M.6x20	16.0 mm	2x95 mm <sup>2</sup>	0,20
ET.C.EKL.162120.620E	Cu	M.6x20	16.0 mm	2x120 mm <sup>2</sup>	0,20
ET.C.EKL.18250.620E	Cu	M.6x20	18.0 mm	2x50 mm <sup>2</sup>	0,13
ET.C.EKL.18270.620E	Cu	M.6x20	18.0 mm	2x70 mm <sup>2</sup>	0,13
ET.C.EKL.18295.620E	Cu	M.6x20	18.0 mm	2x95 mm <sup>2</sup>	0,20
ET.C.EKL.182120.620E	Cu	M.6x20	18.0 mm	2x120 mm <sup>2</sup>	0,20
ET.C.EKL.20250.620E	Cu	M.6x20	20.0 mm	2x50 mm <sup>2</sup>	0,13
ET.C.EKL.20270.620E	Cu	M.6x20	20.0 mm	2x70 mm <sup>2</sup>	0,13
ET.C.EKL.20295.620E	Cu	M.6x20	20.0 mm	2x95 mm <sup>2</sup>	0,20
ET.C.EKL.202120.620E	Cu	M.6x20	20.0 mm	2x120 mm <sup>2</sup>	0,20

Cu: Bakır / Copper

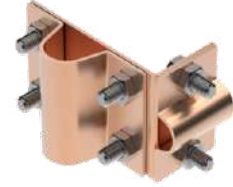
Anahtar Ölçüsü / Spanner 10 mm

Ürün Kodu sonunda belirtilen "E" (Elektro galvaniz) ve "SS" (Paslanmaz) Civata Özelliğini belirler. "E" (Electro galvanized) and "SS" (Stainless) sufExes denote bolt properties.



## Elektrod Bağlantı Klemensleri (L Tipi) Rod to Cable Clamp (Type L)

Part No.	Material	Screw Diameter	Rod Diameter	Conductor Diameter	Weight (each)
ET.C.EKL.16150.620E	Cu	M.6x20	16.0 mm	1x50 mm <sup>2</sup>	0,14
ET.C.EKL.16170.620E	Cu	M.6x20	16.0 mm	1x70 mm <sup>2</sup>	0,14
ET.C.EKL.16195.620E	Cu	M.6x20	16.0 mm	1x95 mm <sup>2</sup>	0,14
ET.C.EKL.161120.620E	Cu	M.6x20	16.0 mm	1x120 mm <sup>2</sup>	0,14
ET.C.EKL.18150.620E	Cu	M.6x20	18.0 mm	1x50 mm <sup>2</sup>	0,14
ET.C.EKL.18170.620E	Cu	M.6x20	18.0 mm	1x70 mm <sup>2</sup>	0,14
ET.C.EKL.18195.620E	Cu	M.6x20	18.0 mm	1x95 mm <sup>2</sup>	0,14
ET.C.EKL.181120.620E	Cu	M.6x20	18.0 mm	1x120 mm <sup>2</sup>	0,14
ET.C.EKL.181150.620E	Cu	M.6x20	18.0 mm	1x150 mm <sup>2</sup>	0,18
ET.C.EKL.181185.620E	Cu	M.6x20	18.0 mm	1x185 mm <sup>2</sup>	0,21
ET.C.EKL.181240.620E	Cu	M.6x20	18.0 mm	1x240 mm <sup>2</sup>	0,21
ET.C.EKL.20150.620E	Cu	M.6x20	20.0 mm	1x50 mm <sup>2</sup>	0,14
ET.C.EKL.20170.620E	Cu	M.6x20	20.0 mm	1x70 mm <sup>2</sup>	0,14
ET.C.EKL.20195.620E	Cu	M.6x20	20.0 mm	1x95 mm <sup>2</sup>	0,14
ET.C.EKL.201120.620E	Cu	M.6x20	20.0 mm	1x120 mm <sup>2</sup>	0,14
ET.C.EKL.201150.620E	Cu	M.6x20	20.0 mm	1x150 mm <sup>2</sup>	0,18
ET.C.EKL.201185.620E	Cu	M.6x20	20.0 mm	1x185 mm <sup>2</sup>	0,21
ET.C.EKL.201240.620E	Cu	M.6x20	20.0 mm	1x240 mm <sup>2</sup>	0,21



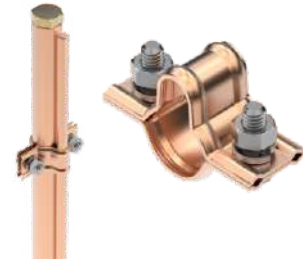
Cu: Bakır / Copper

Anahtar Ölçüsü / Spanner 10 mm

Ürün Kodu sonunda belirtilen "E" (Elektro galvaniz) ve "SS" (Paslanmaz) Civata Özelliğini belirler.  
"E" (Electro galvanized) and "SS" (Stainless) suffixes denote bolt properties.

## Elektrod Bağlantı Klemensleri (C Tipi) Rod to Cable Clamp (Type C)

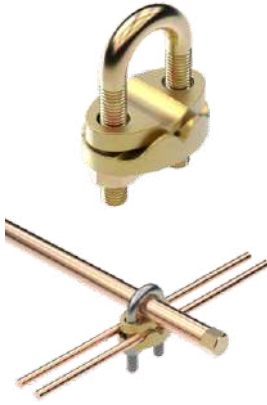
Part No.	Material	Screw Diameter	Rod Diameter	Conductor Diameter	Weight (each)
ET.C.EKC.16150.620E	Cu	M.6x20	16.0 mm	1x50 mm <sup>2</sup>	0,05
ET.C.EKC.18150.620E	Cu	M.6x20	18.0 mm	1x50 mm <sup>2</sup>	0,05
ET.C.EKC.20125.620E	Cu	M.6x20	20.0 mm	1x25 mm <sup>2</sup>	0,05
ET.C.EKC.20135.620E	Cu	M.6x20	20.0 mm	1x35 mm <sup>2</sup>	0,05
ET.C.EKC.20150.620E	Cu	M.6x20	20.0 mm	1x50 mm <sup>2</sup>	0,05
ET.C.EKC.20250.620E	Cu	M.6x20	20.0 mm	2x50 mm <sup>2</sup>	0,05
ET.C.EKC.16150.620SS	Cu	M.6x20	16.0 mm	1x50 mm <sup>2</sup>	0,05
ET.C.EKC.18150.620SS	Cu	M.6x20	18.0 mm	1x50 mm <sup>2</sup>	0,05
ET.C.EKC.20125.620SS	Cu	M.6x20	20.0 mm	1x25 mm <sup>2</sup>	0,05
ET.C.EKC.20135.620SS	Cu	M.6x20	20.0 mm	1x35 mm <sup>2</sup>	0,05
ET.C.EKC.20150.620SS	Cu	M.6x20	20.0 mm	1x50 mm <sup>2</sup>	0,05
ET.C.EKC.20250.620SS	Cu	M.6x20	20.0 mm	2x50 mm <sup>2</sup>	0,05



Cu: Bakır / Copper

Anahtar Ölçüsü / Spanner 10 mm

Ürün Kodu sonunda belirtilen "E" (Elektro galvaniz) ve "SS" (Paslanmaz) Civata Özelliğini belirler.  
"E" (Electro galvanized) and "SS" (Stainless) suffixes denote bolt properties.



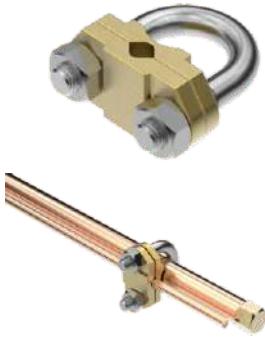
### Elektrod Bağlantı Klemensleri (U Tipi) Rod to Cable Clamp (Type U)

Part No.	Material	Screw Diameter	Rod Diameter	Conductor Diameter	Weight (each)
ET.PEKU.2050120.10P	CuPbZn	M.10	20.0 mm	1x50 mm <sup>2</sup> -1x120 mm <sup>2</sup>	0,29

CuPbZn: Piriç / Brass

Anahtar Ölçüsü / Spanner 17 mm

Ürün Kodu sonunda belirtilen "P" (Piriç) ve "SS" (Paslanmaz) Civata Özelliğini belirler.  
"P" (Brass) and "SS" (Stainless) suffixes denote bolt properties.



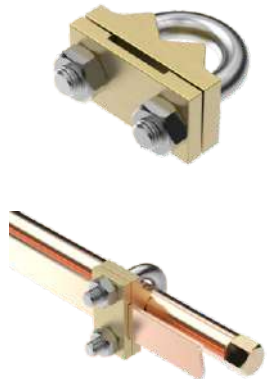
### Elektrod Bağlantı Klemensleri (U Tipi) Rod to Cable Clamp (Type U)

Part No.	Material	Screw Diameter	Rod Diameter	Conductor Diameter	Weight (each)
ET.PEKU.20150.10SS	CuPbZn	M.10	20.0 mm	1x50 mm <sup>2</sup>	0,19
ET.PEKU.20170.10SS	CuPbZn	M.10	20.0 mm	1x70 mm <sup>2</sup>	0,19

CuPbZn: Piriç / Brass

Anahtar Ölçüsü / Spanner 17 mm

Ürün Kodu sonunda belirtilen "P" (Piriç) ve "SS" (Paslanmaz) Civata Özelliğini belirler.  
"P" (Brass) and "SS" (Stainless) suffixes denote bolt properties.



### Elektrod Bağlantı Klemensleri (U Tipi) Rod to Tape Clamp (Type U)

Part No.	Material	Screw Diameter	Rod Diameter	Conductor Diameter	Weight (each)
ET.PEKU.16253.10SS	CuPbZn	M.10	16.0 mm	25x3 mm	0,20
ET.PEKU.18253.10SS	CuPbZn	M.10	18.0 mm	25x3 mm	0,20
ET.PEKU.20253.10SS	CuPbZn	M.10	20.0 mm	25x3 mm	0,20
ET.PEKU.16303.10SS	CuPbZn	M.10	16.0 mm	30x3 mm	0,20
ET.PEKU.18303.10SS	CuPbZn	M.10	18.0 mm	30x3 mm	0,20
ET.PEKU.20303.10SS	CuPbZn	M.10	20.0 mm	30x3 mm	0,20

CuPbZn: Piriç / Brass

Anahtar Ölçüsü / Spanner 17 mm

Ürün Kodu sonunda belirtilen "P" (Piriç) ve "SS" (Paslanmaz) Civata Özelliğini belirler.  
"P" (Brass) and "SS" (Stainless) suffixes denote bolt properties.

## Elektrod Bağlantı Klemensleri (G Tipi) Rod to Cable Clamp (Type G)

Part No.	Material	Screw Diameter	Rod Diameter	Conductor Diameter	Weight (each)
ET.PEKG.161650.825SS	CuPbZn	M.8x25	16.0 mm	1x16 mm <sup>2</sup> -1x50 mm <sup>2</sup>	0,07
ET.PEKG.181670.825SS	CuPbZn	M.8x25	18.0 mm	1x16 mm <sup>2</sup> -1x70 mm <sup>2</sup>	0,07
ET.PEKG.201695.825SS	CuPbZn	M.8x25	20.0 mm	1x16 mm <sup>2</sup> -1x95 mm <sup>2</sup>	0,08

CuPbZn: Pirinç / Brass

Anahtar Ölçüsü / Spanner 13 mm

Ürün Kodu sonunda belirtilen "E" (Elektro galvaniz) ve "SS" (Paslanmaz) Civata Özelliğini belirler. "E" (Electro galvanized) and "SS" (Stainless) sufExes denote bolt properties.



## Elektrod Bağlantı Klemensleri (G Tipi) Rod to Tape Clamp (Type G)

Part No.	Material	Screw Diameter	Rod Diameter	Conductor Diameter	Weight (each)
ET.PEKG.16253.825SS	CuPbZn	M.8x25	16.0 mm	25x3 mm	0,20
ET.PEKG.18253.825SS	CuPbZn	M.8x25	18.0 mm	25x3 mm	0,20
ET.PEKG.20253.825SS	CuPbZn	M.8x25	20.0 mm	25x3 mm	0,20
ET.PEKG.16303.825SS	CuPbZn	M.8x25	16.0 mm	30x3 mm	0,22
ET.PEKG.18303.825SS	CuPbZn	M.8x25	18.0 mm	30x3 mm	0,22
ET.PEKG.20303.825SS	CuPbZn	M.8x25	20.0 mm	30x3 mm	0,22

CuPbZn: Pirinç / Brass

Anahtar Ölçüsü / Spanner 13 mm

Ürün Kodu sonunda belirtilen "E" (Elektro galvaniz) ve "SS" (Paslanmaz) Civata Özelliğini belirler. "E" (Electro galvanized) and "SS" (Stainless) sufExes denote bolt properties.



## Elektrod Bağlantı Klemensleri Rod to Cable Clamp

Part No.	Material	Screw Diameter	Conductor Diameter	Weight (each)
ET.PEKAS.35.8	CuPbZn	M.8x15	1x35 mm <sup>2</sup>	0,05
ET.PEKAS.50.8	CuPbZn	M.8x15	1x50 mm <sup>2</sup>	0,08
ET.PEKAS.70.8	CuPbZn	M.8x15	1x70 mm <sup>2</sup>	0,10
ET.PEKAS.95.8	CuPbZn	M.8x15	1x95 mm <sup>2</sup>	0,13
ET.PEKAS.120.8	CuPbZn	M.8x15	1x120 mm <sup>2</sup>	0,17
ET.PEKAS.150.8	CuPbZn	M.8x15	1x150 mm <sup>2</sup>	0,21
ET.PEKAS.185.8	CuPbZn	M.8x15	1x185 mm <sup>2</sup>	0,23

CuPbZn: Pirinç / Brass



### İletken Tespit Klemensleri Fixing Clamp



Part No.	Material	Hole Diameter	Conductor Diameter	Weight (each)
ET.PTKA.1035.6	CuPbZn	M.6	1x10 mm <sup>2</sup> -1x35 mm <sup>2</sup>	0,03
ET.PTKA.1035.8	CuPbZn	M.8	1x10 mm <sup>2</sup> -1x35 mm <sup>2</sup>	0,03
ET.PTKA.3570.6	CuPbZn	M.6	1x35 mm <sup>2</sup> -1x70 mm <sup>2</sup>	0,06
ET.PTKA.3570.8	CuPbZn	M.8	1x35 mm <sup>2</sup> -1x70 mm <sup>2</sup>	0,06
ET.PTKA.70150.6	CuPbZn	M.6	1x70 mm <sup>2</sup> -1x150 mm <sup>2</sup>	0,10
ET.PTKA.70150.8	CuPbZn	M.8	1x70 mm <sup>2</sup> -1x150 mm <sup>2</sup>	0,10
ET.PTKA.150185.6	CuPbZn	M.6	1x150 mm <sup>2</sup> -1x185 mm <sup>2</sup>	0,14
ET.PTKA.150185.8	CuPbZn	M.8	1x150 mm <sup>2</sup> -1x185 mm <sup>2</sup>	0,14

CuPbZn: Pirinç / Brass

### İletken Tespit Klemensleri Fixing Clamp



Part No.	Material	Hole Diameter	Conductor Diameter	Weight (each)
ET.PTKS.1035.6	CuPbZn	M.6	1x10 mm <sup>2</sup> -1x35 mm <sup>2</sup>	0,03
ET.PTKS.1035.8	CuPbZn	M.8	1x10 mm <sup>2</sup> -1x35 mm <sup>2</sup>	0,03
ET.PTKS.3570.6	CuPbZn	M.6	1x35 mm <sup>2</sup> -1x70 mm <sup>2</sup>	0,05
ET.PTKS.3570.8	CuPbZn	M.8	1x35 mm <sup>2</sup> -1x70 mm <sup>2</sup>	0,05
ET.PTKS.70150.6	CuPbZn	M.6	1x70 mm <sup>2</sup> -1x150 mm <sup>2</sup>	0,10
ET.PTKS.70150.8	CuPbZn	M.8	1x70 mm <sup>2</sup> -1x150 mm <sup>2</sup>	0,10
ET.PTKS.150185.6	CuPbZn	M.6	1x150 mm <sup>2</sup> -1x185 mm <sup>2</sup>	0,15
ET.PTKS.150185.8	CuPbZn	M.8	1x150 mm <sup>2</sup> -1x185 mm <sup>2</sup>	0,15
ET.PTKS.240.6	CuPbZn	M.6	1x240 mm <sup>2</sup>	0,16
ET.PTKS.240.8	CuPbZn	M.8	1x240 mm <sup>2</sup>	0,16

CuPbZn: Pirinç / Brass

### İletken Tespit Klemensleri Fixing Clamp



Part No.	Material	Screw Diameter	Weight (each)
ET.PTKAV.6x22	CuPbZn	M.6x22	0,01
ET.PTKAV.8x22	CuPbZn	M.8x22	0,01

CuPbZn: Pirinç / Brass

## Eletken Tespit Klemensleri Fixing Clamp

Part No.	Material	Hole Diameter	Conductor Diameter	Weight (each)
ET.PTKS.21035.6	CuPbZn	M.6	2x10 mm <sup>2</sup> -2x35 mm <sup>2</sup>	0,04
ET.PTKS.21035.8	CuPbZn	M.8	2x10 mm <sup>2</sup> -2x35 mm <sup>2</sup>	0,04
ET.PTKS.23570.6	CuPbZn	M.6	2x35 mm <sup>2</sup> -2x70 mm <sup>2</sup>	0,07
ET.PTKS.23570.8	CuPbZn	M.8	2x35 mm <sup>2</sup> -2x70 mm <sup>2</sup>	0,07
ET.PTKS.270150.6	CuPbZn	M.6	2x70 mm <sup>2</sup> -2x150 mm <sup>2</sup>	0,13
ET.PTKS.270150.8	CuPbZn	M.8	2x70 mm <sup>2</sup> -2x150 mm <sup>2</sup>	0,13
ET.PTKS.2150185.6	CuPbZn	M.6	2x150 mm <sup>2</sup> -2x185 mm <sup>2</sup>	0,19
ET.PTKS.2150185.8	CuPbZn	M.8	2x150 mm <sup>2</sup> -2x185 mm <sup>2</sup>	0,19
ET.PTKS.2240.6	CuPbZn	M.6	2x240 mm <sup>2</sup>	0,21
ET.PTKS.2240.8	CuPbZn	M.8	2x240 mm <sup>2</sup>	0,21

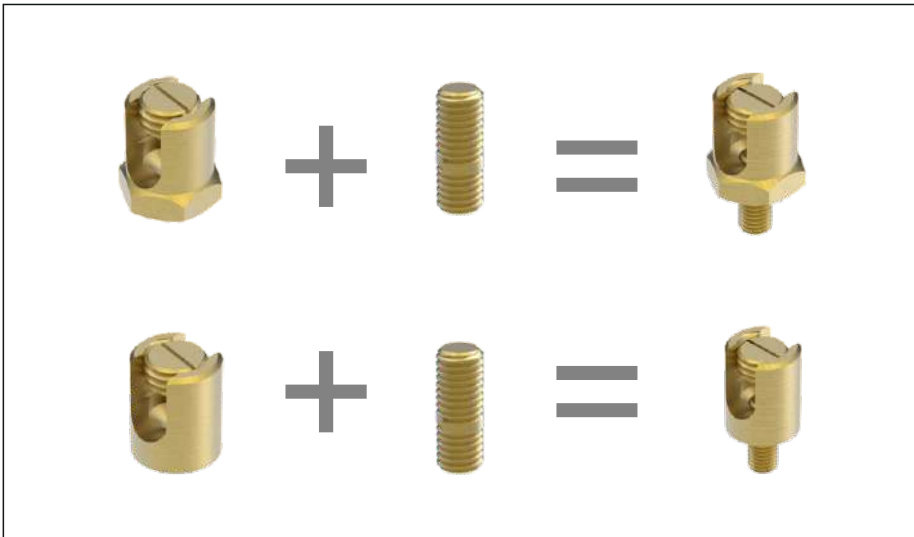
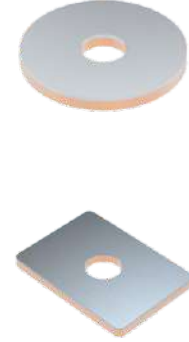
CuPbZn: Pirinç / Brass



## Klemens Tespit Pulu Fixing Washers

Part No.	Material	Hole Diameter	Area of Usage	Weight (each)
ET.CS.TNP23.6	Cu+Sn	M.6	Max. 35 mm <sup>2</sup> -70 mm <sup>2</sup>	0,01
ET.CS.TNP23.8	Cu+Sn	M.8	Max. 35 mm <sup>2</sup> -70 mm <sup>2</sup>	0,01
ET.CS.TNP32.6	Cu+Sn	M.6	Max. 70 mm <sup>2</sup> -240 mm <sup>2</sup>	0,01
ET.CS.TNP32.8	Cu+Sn	M.8	Max. 70 mm <sup>2</sup> -240 mm <sup>2</sup>	0,01
ET.CS.TNP4230.12	Cu+Sn	M.12	C Profile	0,02

Cu+Sn: Tek Yön Kalay Kaplı Bakır / Tin Plated Copper (one way)  
Pirinç Tespit Klemenslerinin, Galvaniz Kaplı ve Alüminyum Yüzeyle Montajında Kullanılmalıdır.  
To be used to mount brass fixing clamps on galvanized and aluminum surfaces

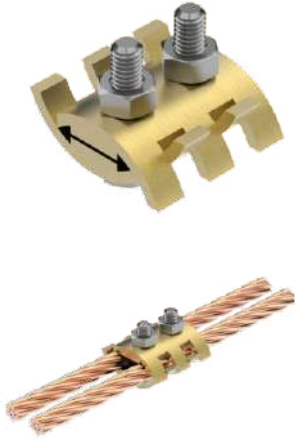


### İletken Tespit Klemensleri (U Tipi) Fixing Clamp (Type U)



Part No.	Material	Screw Diameter	Spanner	Conductor Diameter	Weight (each)
ET.PTKU.6	CuPbZn	-	-	1x6 mm <sup>2</sup>	0,01
ET.PTKU.10	CuPbZn	-	-	1x10 mm <sup>2</sup>	0,02
ET.PTKU.16	CuPbZn	M.4x15	-	1x16 mm <sup>2</sup>	0,03
ET.PTKU.25	CuPbZn	M.4x15	-	1x25 mm <sup>2</sup>	0,04
ET.PTKU.35	CuPbZn	M.4x20	-	1x35 mm <sup>2</sup>	0,05
ET.PTKU.50	CuPbZn	M.5x20	-	1x50 mm <sup>2</sup>	0,07
ET.PTKU.70	CuPbZn	M.5x25	-	1x70 mm <sup>2</sup>	0,09
ET.PTKU.95	CuPbZn	M.6x25	10 mm	1x95 mm <sup>2</sup>	0,12
ET.PTKU.120	CuPbZn	M.6x25	10 mm	1x120 mm <sup>2</sup>	0,15
ET.PTKU.150	CuPbZn	M.6x30	10 mm	1x150 mm <sup>2</sup>	0,19

### İletken Tespit Klemensleri (Tırnaklı Tipi) Fixing Clamp (Type Spider)



Part No.	Material	Screw Diameter	Spanner	Conductor Diameter	Weight (each)
ET.PTKT.10	CuPbZn	M.6x20	10 mm	1x10 mm <sup>2</sup>	0,02
ET.PTKT.16	CuPbZn	M.6x20	10 mm	1x16 mm <sup>2</sup>	0,02
ET.PTKT.25	CuPbZn	M.6x25	10 mm	1x25 mm <sup>2</sup>	0,03
ET.PTKT.35	CuPbZn	M.6x30	10 mm	1x35 mm <sup>2</sup>	0,05
ET.PTKT.50	CuPbZn	M.6x30	10 mm	1x50 mm <sup>2</sup>	0,07
ET.PTKT.70	CuPbZn	M.8x35	13 mm	1x70 mm <sup>2</sup>	0,10
ET.PTKT.95	CuPbZn	M.8x40	13 mm	1x95 mm <sup>2</sup>	0,17
ET.PTKT.120	CuPbZn	M.8x40	13 mm	1x120 mm <sup>2</sup>	0,18

CuPbZn: Pirinç / Brass

## Eletken Tespit Klemensleri (H Tipi) "H" Shape Connector

Part No.	Material	Conductor Diameter (a)	Conductor Diameter (b)	Weight (each)
ET.C.TKH.10	Cu	10 mm <sup>2</sup>	10 mm <sup>2</sup>	0,02
ET.C.TKH.16	Cu	16 mm <sup>2</sup>	16 mm <sup>2</sup>	0,03
ET.C.TKH.2535	Cu	25 mm <sup>2</sup>	35 mm <sup>2</sup>	0,04
ET.C.TKH.35	Cu	35 mm <sup>2</sup>	35 mm <sup>2</sup>	0,04
ET.C.TKH.3550	Cu	35 mm <sup>2</sup>	50 mm <sup>2</sup>	0,04
ET.C.TKH.50	Cu	50 mm <sup>2</sup>	50 mm <sup>2</sup>	0,03
ET.C.TKH.5070	Cu	50 mm <sup>2</sup>	70 mm <sup>2</sup>	0,05
ET.C.TKH.70	Cu	70 mm <sup>2</sup>	70 mm <sup>2</sup>	0,04
ET.C.TKH.7095	Cu	70 mm <sup>2</sup>	95 mm <sup>2</sup>	0,09
ET.C.TKH.95	Cu	95 mm <sup>2</sup>	95 mm <sup>2</sup>	0,10
ET.C.TKH.95120	Cu	95 mm <sup>2</sup>	120 mm <sup>2</sup>	0,09
ET.C.TKH.120	Cu	120 mm <sup>2</sup>	120 mm <sup>2</sup>	0,09
ET.C.TKH.120150	Cu	120 mm <sup>2</sup>	150 mm <sup>2</sup>	0,10
ET.C.TKH.150	Cu	150 mm <sup>2</sup>	150 mm <sup>2</sup>	0,10
ET.C.TKH.150185	Cu	150 mm <sup>2</sup>	185 mm <sup>2</sup>	0,12
ET.C.TKH.185	Cu	185 mm <sup>2</sup>	185 mm <sup>2</sup>	0,13
ET.C.TKH.185240	Cu	185 mm <sup>2</sup>	240 mm <sup>2</sup>	0,13
ET.C.TKH.240	Cu	240 mm <sup>2</sup>	240 mm <sup>2</sup>	0,17

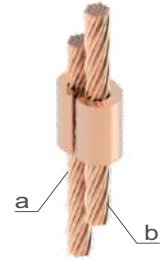
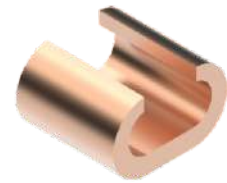
Cu: Bakır / Copper



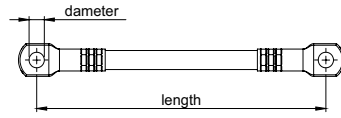
## Eletken Tespit Klemensleri (C Tipi) "C" Shape Connector

Part No.	Material	Conductor Diameter (a)	Conductor Diameter (b)	Weight (each)
ET.C.TKC.10	Cu	10 mm <sup>2</sup>	10 mm <sup>2</sup>	0,01
ET.C.TKC.16	Cu	16 mm <sup>2</sup>	16 mm <sup>2</sup>	0,02
ET.C.TKC.25	Cu	25 mm <sup>2</sup>	25 mm <sup>2</sup>	0,02
ET.C.TKC.35	Cu	35 mm <sup>2</sup>	35 mm <sup>2</sup>	0,04
ET.C.TKC.50	Cu	50 mm <sup>2</sup>	50 mm <sup>2</sup>	0,04
ET.C.TKC.70	Cu	70 mm <sup>2</sup>	70 mm <sup>2</sup>	0,06
ET.C.TKC.95	Cu	95 mm <sup>2</sup>	95 mm <sup>2</sup>	0,11
ET.C.TKC.120	Cu	120 mm <sup>2</sup>	120 mm <sup>2</sup>	0,12
ET.C.TKC.150	Cu	150 mm <sup>2</sup>	150 mm <sup>2</sup>	0,13
ET.C.TKC.185	Cu	185 mm <sup>2</sup>	185 mm <sup>2</sup>	0,14
ET.C.TKC.240	Cu	240 mm <sup>2</sup>	240 mm <sup>2</sup>	0,17

Cu: Bakır / Copper



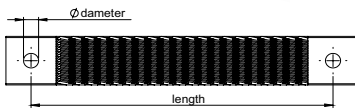
Pabuçlu Flexible İletkenler  
Flexible Circular Copper Braid Bond



Part No.	Material	Hole Diameter	Cross-Sectional Area (mm <sup>2</sup> )	Length	Weight (each)
ET.CS.SWP6200.05	CuSn	5 mm	6 mm <sup>2</sup>	200 mm	0,01
ET.CS.SWP6400.05	CuSn	5 mm	6 mm <sup>2</sup>	400 mm	0,02
ET.CS.SWP10200.06	CuSn	6 mm	10 mm <sup>2</sup>	200 mm	0,02
ET.CS.SWP10400.06	CuSn	6 mm	10 mm <sup>2</sup>	400 mm	0,04
ET.CS.SWP16200.06	CuSn	6 mm	16 mm <sup>2</sup>	200 mm	0,03
ET.CS.SWP16400.06	CuSn	6 mm	16 mm <sup>2</sup>	400 mm	0,06
ET.CS.SWP25200.08	CuSn	8 mm	25 mm <sup>2</sup>	200 mm	0,05
ET.CS.SWP25400.08	CuSn	8 mm	25 mm <sup>2</sup>	400 mm	0,10
ET.CS.SWP35200.10	CuSn	10 mm	35 mm <sup>2</sup>	200 mm	0,08
ET.CS.SWP35400.10	CuSn	10 mm	35 mm <sup>2</sup>	400 mm	0,16
ET.CS.SWP50200.10	CuSn	10 mm	50 mm <sup>2</sup>	200 mm	0,10
ET.CS.SWP50400.10	CuSn	10 mm	50 mm <sup>2</sup>	400 mm	0,20
ET.CS.SWP70200.10	CuSn	10 mm	70 mm <sup>2</sup>	200 mm	0,13
ET.CS.SWP70400.10	CuSn	10 mm	70 mm <sup>2</sup>	400 mm	0,25
ET.CS.SWP95200.10	CuSn	10 mm	95 mm <sup>2</sup>	200 mm	0,19
ET.CS.SWP95400.10	CuSn	10 mm	95 mm <sup>2</sup>	400 mm	0,37

CuSn: Kalay Kaplı Bakır / Tin Plated Copper  
Standart İletken ölçüleri verilmiştir. Özel sipariş durumunda; boyutları ve pabuç özellikleri değiştirilebilir.  
Standard braid sizes are shown. Braids are available in other sizes, lengths or terminations to special order.

Pabuçlu Flexible İletkenler  
Flexible Flat Copper Braid Bond



Part No.	Material	Hole Diameter	Cross-Sectional Area (mm <sup>2</sup> )	Length	Weight (each)
ET.CS.FBP121200.06	CuSn	6 mm	6 mm <sup>2</sup>	200 mm	0,01
ET.CS.FBP121400.06	CuSn	6 mm	6 mm <sup>2</sup>	400 mm	0,02
ET.CS.FBP152200.06	CuSn	6 mm	10 mm <sup>2</sup>	200 mm	0,02
ET.CS.FBP152400.06	CuSn	6 mm	10 mm <sup>2</sup>	400 mm	0,04
ET.CS.FBP202200.08	CuSn	8 mm	16 mm <sup>2</sup>	200 mm	0,03
ET.CS.FBP202400.08	CuSn	8 mm	16 mm <sup>2</sup>	400 mm	0,06
ET.CS.FBP253200.08	CuSn	8 mm	25 mm <sup>2</sup>	200 mm	0,05
ET.CS.FBP253400.08	CuSn	8 mm	25 mm <sup>2</sup>	400 mm	0,10
ET.CS.FBP254200.08	CuSn	8 mm	35 mm <sup>2</sup>	200 mm	0,08
ET.CS.FBP254400.08	CuSn	8 mm	35 mm <sup>2</sup>	400 mm	0,16
ET.CS.FBP305200.10	CuSn	10 mm	50 mm <sup>2</sup>	200 mm	0,10
ET.CS.FBP305400.10	CuSn	10 mm	50 mm <sup>2</sup>	400 mm	0,20
ET.CS.FBP306200.10	CuSn	10 mm	70 mm <sup>2</sup>	200 mm	0,13
ET.CS.FBP306400.10	CuSn	10 mm	70 mm <sup>2</sup>	400 mm	0,25
ET.CS.FBP405200.10	CuSn	10 mm	95 mm <sup>2</sup>	200 mm	0,19
ET.CS.FBP405400.10	CuSn	10 mm	95 mm <sup>2</sup>	400 mm	0,37

CuSn: Kalay Kaplı Bakır / Tin Plated Copper  
Standart İletken ölçüleri verilmiştir. Özel sipariş durumunda; boyutları ve pabuç özellikleri değiştirilebilir.  
Standard braid sizes are shown. Braids are available in other sizes, lengths or terminations to special order.

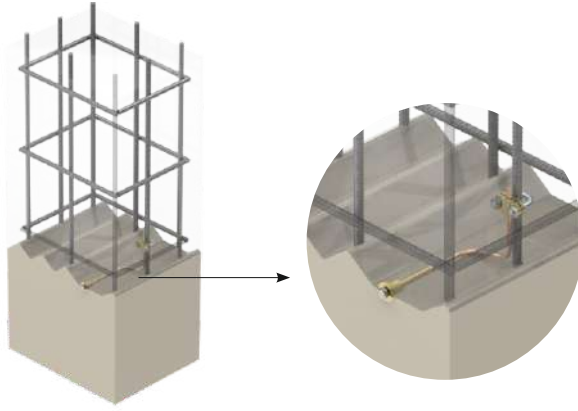




## Topraklama Prizleri Earth Points

Part No.	Material	Screw Diameter	Mounting Diameter	Length	Weight (each)
ET.PTP108.815	CuPbZn	M.8x15	8.0 mm	70 mm	0,15
ET.PTP108.1015	CuPbZn	M.10x15	8.0 mm	70 mm	0,16
ET.SS.TP108.815	Inox-304	M.8x15	8.0 mm	70 mm	0,14
ET.SS.TP108.1015	Inox-304	M.10x15	8.0 mm	70 mm	0,15

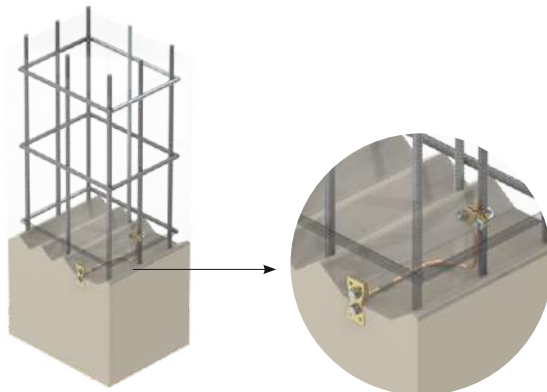
CuPbZn: Pirinç / Brass  
Inox-304: Paslanmaz / Stainless Steel



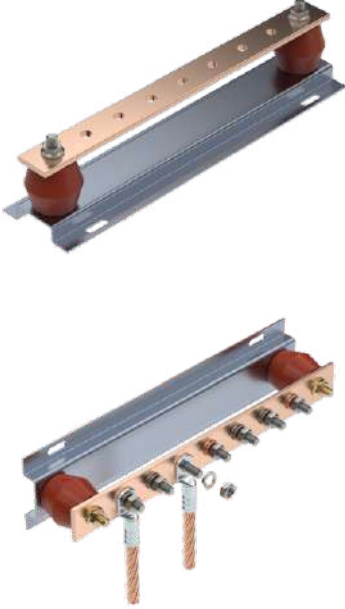
## Topraklama Prizleri Earth Points

Part No.	Material	Screw Diameter	Mounting Diameter	Length	Weight (each)
ET.PTP208.815	CuPbZn	M.8x15	8.0 mm	50 mm	0,28
ET.PTP208.1015	CuPbZn	M.10x15	8.0 mm	50 mm	0,30

CuPbZn: Pirinç / Brass



### Eşpotansiyel Bara Equal Potential Bar

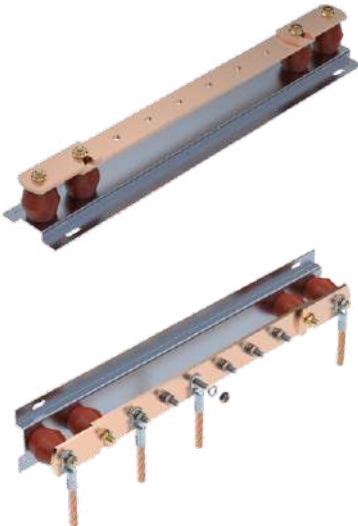


Part No.	Material	Bar Dimension	Length	Link	Weight (each)
ET.FEC.EPSİ.30320	Cu	30x3 mm	200 mm	4	0,55
ET.FEC.EPSİ.30520	Cu	30x5 mm	200 mm	4	0,68
ET.FEC.EPSİ.30525	Cu	30x5 mm	250 mm	5	0,80
ET.FEC.EPSİ.30530	Cu	30x5 mm	300 mm	7	0,89
ET.FEC.EPSİ.30540	Cu	30x5 mm	400 mm	10	1,10
ET.FEC.EPSİ.30550	Cu	30x5 mm	500 mm	13	1,40
ET.FEC.EPSİ.40520	Cu	40x5 mm	200 mm	4	0,75
ET.FEC.EPSİ.40525	Cu	40x5 mm	250 mm	5	0,90
ET.FEC.EPSİ.40530	Cu	40x5 mm	300 mm	7	1,00
ET.FEC.EPSİ.40540	Cu	40x5 mm	400 mm	10	1,30
ET.FEC.EPSİ.40550	Cu	40x5 mm	500 mm	13	1,60
ET.FEC.EPSİ.50530	Cu	50x5 mm	300 mm	7	1,15
ET.FEC.EPSİ.50540	Cu	50x5 mm	400 mm	10	1,45
ET.FEC.EPSİ.50550	Cu	50x5 mm	500 mm	13	1,85

Cu: Bakır / Copper

Bağlantı delikleri standart 8.5 mm'dir. Özel sipariş durumunda; boyutları ve bağlantı özellikleri değiştirilebilir.  
Standard size for fixing holes is 8.5 mm. Custom sizes and properties are also possible.

### Eşpotansiyel Bara (Çift şalterli) Equal Potential Bar (Twin Disconnecting Link)



Part No.	Material	Bar Dimension	Length	Link	Weight (each)
ET.FEC.EPCİ.40550	Cu	40x5 mm	500 mm	5	2,10
ET.FEC.EPCİ.40560	Cu	40x5 mm	600 mm	8	2,40
ET.FEC.EPCİ.40570	Cu	40x5 mm	700 mm	11	2,70
ET.FEC.EPCİ.50550	Cu	50x5 mm	500 mm	5	2,40
ET.FEC.EPCİ.50560	Cu	50x5 mm	600 mm	8	2,70
ET.FEC.EPCİ.50570	Cu	50x5 mm	700 mm	11	3,10

Cu: Bakır / Copper

Bağlantı delikleri standart 8.5 mm'dir. Özel sipariş durumunda; boyutları ve bağlantı özellikleri değiştirilebilir.  
Standard size for fixing holes is 8.5 mm. Custom sizes and properties are also possible.

## Ezolatör Insulator

Part No.	Diameter	Height	Connection Size	Weight (each)
ET.00.İ.M6.2C	25 mm	30 mm	M.6	0,05
ET.00.İ.M8.2C	40 mm	40 mm	M.8	0,12
ET.00.İ.M10.2C	40 mm	40 mm	M.10	0,15



M6



M8-M10

## Ezolatör Insulator

Part No.	Diameter	Height	Connection Size	Weight (each)
ET.00.İ.M6.1C1S	25 mm	30 mm	M.6	0,04
ET.00.İ.M8.1C1S	40 mm	40 mm	M.8	0,11
ET.00.İ.M10.1C1S	40 mm	40 mm	M.10	0,13



M6



M8-M10

## Ezolatör Insulator

Part No.	Diameter	Height	Connection Size	Weight (each)
ET.00.İ.M6.2S	25 mm	30 mm	M.6	0,03
ET.00.İ.M8.2S	40 mm	40 mm	M.8	0,11
ET.00.İ.M10.2S	40 mm	40 mm	M.10	0,12

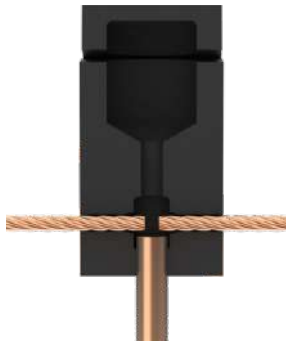


M6

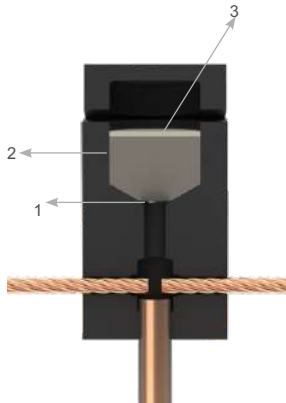


M8-M10

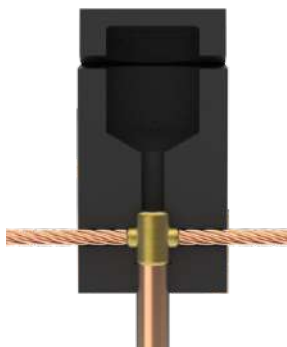
Thermowelding must be done according to the following:



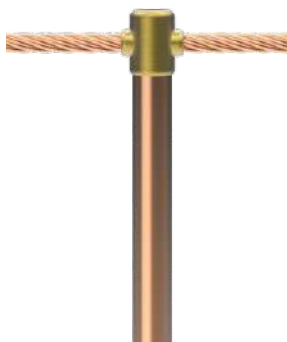
Conductors are placed in the mould. The mould is closed with a suitable handle clamp making sure the seams are tightly closed.



Metal disk (1) is inserted to the mold. Sufficient welding powder (2) is poured in the mould over the metal disk. Lastly, Igniting powder (3) is poured on top and ignited with flint gun.



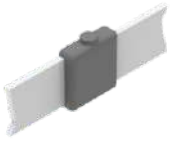
Molten copper compound will melt the metal disk and flow into the weld container. Reaction takes place safely inside the container.



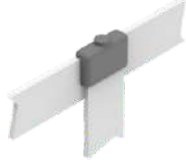
After the molten copper compound cools off and the thermo welding is complete, the mould is cleaned with the brush for the next use.

## Bağlantı Seçenekleri Connection Selector

### Baradan Baraya / Bar to Bar



Mould: ET.00.TKP.C.BB1



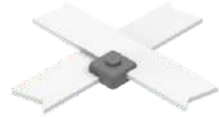
Mould: ET.00.TKP.C.BB3



Mould: ET.00.TKP.C.BB7



Mould: ET.00.TKP.C.BB14



Mould: ET.00.TKP.C.BB41

### Baradan Topraklama Elektroduna / Bar to Earth Rod



Mould: ET.00.TKP.C.BE1



Mould: ET.00.TKP.C.BE2

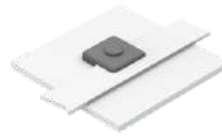
### Baradan Çelik Yüzeğe / Bar to Steel Surface



Mould: ET.00.TKP.C.BS1



Mould: ET.00.TKP.C.BS2



Mould: ET.00.TKP.C.BS3

### Kablodan Baraya / Cable to Bar



Mould: ET.00.TKP.C.CB1



Mould: ET.00.TKP.C.CB4



Mould: ET.00.TKP.C.CB5

## Bağlantı Seçenekleri Connection Selector

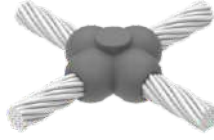
### Kablodan Kabloya / Cable to Cable



Mould: ET.00.TKP.C.CC1



Mould: ET.00.TKP.C.CC2



Mould: ET.00.TKP.C.CC4



Mould: ET.00.TKP.C.CC6



Mould: ET.00.TKP.C.CC7



Mould: ET.00.TKP.B.CC11



Mould: ET.00.TKP.C.CC14

### Kablodan Topraklama Elektroduna / Cable to Earth Rod



Mould: ET.00.TKP.C.CE1



Mould: ET.00.TKP.C.CE2



Mould: ET.00.TKP.E.CE3



Mould: ET.00.TKP.E.CE4



Mould: ET.00.TKP.C.CE17



Mould: ET.00.TKP.C.CE24

### Kablodan İnşaat Demirine / Cable to Reinforcing Bar



Mould: ET.00.TKP.C.CR2



Mould: ET.00.TKP.C.CR1



Mould: ET.00.TKP.C.CR3



Mould: ET.00.TKP.C.CR6



Mould: ET.00.TKP.C.CR17

### Kablodan Çelik Yüzeğe / Cable to Steel Surface



Mould: ET.00.TKP.C.CS1



Mould: ET.00.TKP.C.CS2



Mould: ET.00.TKP.C.CS3



Mould: ET.00.TKP.D.CS7

## Pota Mould

Part No.	Weight (each)
ET.00.TKPB	1,60
ET.00.TKPC	1,40
ET.00.TKPD	2,40
ET.00.TKPE	2,40



## Pota Pensesi Handle Clamps

Part No.	Weight (each)
ET.00.TPP	1,18
ET.00.TPPB	1,24



## Pota Çakmağı Flint Gun

Part No.	Weight (each)
ET.00.TPC	0,11



## Pota Fırçası Mould Cleaning Brush

Part No.	Weight (each)
ET.00.TPF	0,10



**Pota Kazıyıcısı**  
Mould Cleaning Scraper



Part No.	Weight (each)
ET.00.TPK	0,08

**Pota Macunu**  
Mould Paste



Part No.	Weight (each)
ET.00.TPM	1,00

**Kaynak Tozu**  
Welding Powder



Part No.	Weight (each)
ET.00.TKT.32	0,04
ET.00.TKT.45	0,05
ET.00.TKT.65	0,07
ET.00.TKT.90	0,10
ET.00.TKT.115	0,12
ET.00.TKT.150	0,16
ET.00.TKT.200	0,22
ET.00.TKT.250	0,27



## Lightning Protection Systems

Lightning, one of the most serious natural disasters, has increasing threats worldwide on human life and premises alike. Although unavoidable, it is still possible to minimize the damages. Starting from 1800's and improving in parallel with advanced technologies, the quest for lightning protection has reached a level where fears and concerns have gradually been diminishing. We offer all sorts of equipments to our customers both through importing and production along with a know-how on engineering and expertise. In every field of the lightning protection industry, which can be classified as active lightning rods, caging methods and surge protection, we deliver products and services that strictly comply with national regulations and production criteria.

### Determining the Protection Level in Lightning Protection Systems

To minimize lightning-related losses, various protection measures are required to be taken. Whether they are needed or the protection levels thereof are determined by risk analyses that depend largely on the number of lightning strikes, size and properties of the building and its location as well as environmental factors. Abovementioned analyses are done as follows:

To determine the protection level,  $N_d$  value is compared to  $N_c$  value; where:  
 $N_d$  is the probable frequency of direct lightning strikes on a building  
 $N_c$  is the average annual frequency of discharges assumed for the building inspected.  
 If  $N_d \leq N_c$ ; then a lightning protection system is not compulsory  
 If  $N_d > N_c$ ; then a lightning protection system must be present.  
 Protection level of such system is calculated by the formula:  $E = 1 - (N_c / N_d)$

LPS Efficiency, E	Protection Level
$E > 0.98$	Protection Level 1 + Additional measures
$0.95 < E \leq 0.98$	Protection Level 1
$0.90 < E \leq 0.95$	Protection Level 2
$0.80 < E \leq 0.90$	Protection Level 3
$0 < E \leq 0.80$	Protection Level 4

$N_d$  value is calculated as follows:

$$N_d = N_g \cdot A_e \cdot C_e \cdot 10^{-6} \text{ (ea/yr) where:}$$

$N_g$  is the density of lightning discharge on the ground;  $C_e$  is the environmental factor;  $A_e$  is the equivalent lightning collection area of the building ( $m^2$ ).

$$N_g = 0.04 T_d^{1.25} \text{ Lightnings /year.km}^2; \text{ where:}$$

Value of  $A_e$  being in square meters, h is height; a is length and b is width of the building:

$$A_e = ab + 6h(a+b) + 9\pi$$

$C_e$  = Environmental factor

Environmental Factor surrounding the building	$C_e$
Presence of any other high buildings or structures (towers, forests, etc)	0.25
Building with smaller buildings around it	0.5
Isolated building; where a building is separated from the others by at least 3h distance	1
Building on a hill top	2

$N_c$  is calculated as follows  $N_c = A \cdot B \cdot C$

A	Coefficient of construction type (type of building, building materials)
B	Coefficient of purpose of the building and the monetary value of objects
C	Coefficient of damages





$$A = A_1 \cdot A_2 \cdot A_3 \cdot A_4$$

Duvarların yapılış tarzına ilişkin bileşen,	$A_1$	Coefficient of wall type	$A_1$
Sürekli metal cephe kaplaması, takviyeli beton	5	Continuous metal cladding, reinforced concrete	5
Birbiri ile iletken olarak bağlanmış prefabrik yapı, çelik iskelet veya elektriksel sürekliliği olan beton	4	Prefabricated building connected with conductor materials, steel wireframe or electrically conductive concrete	4
Duvar, hasırsız beton, birbiri ile iletken olarak bağlanmayan prefabrik yapı kısımları	0.5	Wall, meshless concrete, prefabricated building parts that are not connected with conductive materials	0.5
Ahşap duvar veya yanabilir duvarlar	0.1	Wood or flammable walls	0.1

Çatının yapılış tarzına ilişkin bileşen	$A_2$	Coefficient of roof type	$A_2$
Çelik	4	Steel	4
Betonarme	2	Reinforced concrete	2
Betonarme - Prefabrik	0.5	Reinforced concrete - prefabricated	0.5
Ahşap	0.1	Wood	0.1

Çatı kaplamasının türüne ilişkin bileşen	$A_3$	Coefficient of roof structure	$A_3$
Hasırlı beton	4	Reinforced mesh concrete	4
Galvanize Sac	2	Galvanized tin	2
Kiremit	1	Brick	1
Pvc kaplama çatı kağıda preslenmiş levha	0.5	PVC covering, roof paper, pressed plywood	0.5
Yalıtkanlığı daha iyi preslenmiş çatı kaplamaları	0.05	Isolated pressed roof materials	0.05

Çatı üzerindeki yapılara (Baca vb.) ilişkin bileşen	$A_4$	Coefficient of Structures on the roof (chimneys etc.)	$A_4$
Çatı üzerinde hiçbir şey yok	1	No objects	1
Çatı üzerinde topraklanmamış metal kısımlar	0.6	Unearthed metal parts on the roof	0.6
Çatı üzerindeki elektrikli cihazlar	0.2	Electrical appliances on the roof	0.2
Çatı üzerindeki hassas elektronik cihazlar	0.1	Delicate electronics on the roof	0.1

$$B = B_1 \cdot B_2 \cdot B_3 \cdot B_4$$

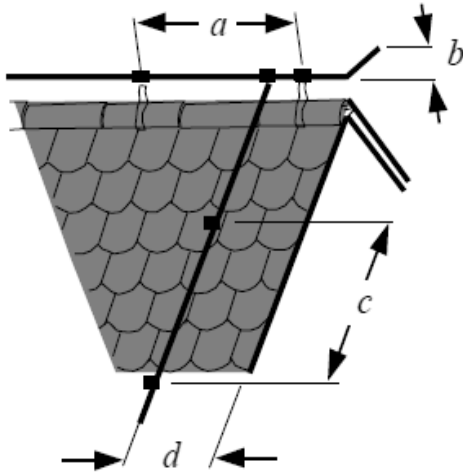
İnsanların kullanımı ile ilgili katsayı	B <sub>1</sub>	Coefficient for Human usage	B <sub>1</sub>
Panik tehlikesi yok	1	No threat for panic	1
Orta değerli panik tehlikesi	0.1	Moderate level threat for panic	0.1
Büyük panik tehlikesi	0.01	High level of threat for panic	0.01
Binanın içindeki türü ile ilgili katsayı	B <sub>2</sub>	Coefficient of equipments inside the building	B <sub>2</sub>
Yanmaz, çok zor tutuşabilir	1	Non-combustable, non-flammable	1
Tutuşabilir	0.2	Flammable	0.2
Patlama tehlikesi olan tesisler	0.1	Explosion hazard	0.1
İçinde parlayıcı maddeler olan tesisler	0.01	Systems with explosive materials	0.01
Nükleer tesisler	0.01	Nuclear facilities	0.01
Binanın içindeki eşyaların değerleri ile ilgili katsayı	B <sub>3</sub>	Coefficient of equipment value	B <sub>3</sub>
Çok basit donanım	1	Simple equipments	1
Değerli donanım	0.2	Valuable equipments	0.2
Özellikle değerli donanım	0.1	Especially valuable equipments	0.1
Çok değerli donanım	0.01	Very valuable equipments	0.01
Hasarın azaltılması için alınacak önlemlerle ilgili katsayı	B <sub>4</sub>	Coefficient of preventive measures	B <sub>4</sub>
Otomatik yangın söndürme sistemi	10	Automatic fire extinguishing system	10
Yangın azaltıcı donanım	5	Fire prevention equipment	5
Yangından korunma donanımı	2	Fire prevention equipment	2
Önlemsiz donanım	1	No preventive measures	1

$$C = C_1 \cdot C_2 \cdot C_3$$

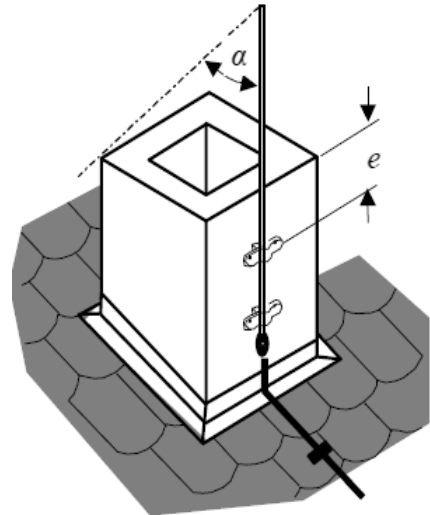
Yapının içindekiler nedeniyle çevreye verilebilecek zararlar	C <sub>1</sub>	Coefficient of possible damages due to the objects in the building	C <sub>1</sub>
Hiçbir	1	No possible damage	1
Orta	0.5	Medium	0.5
Yüksek	0.1	High	0.1
Çok Yüksek	0.01	Very high	0.01
Yapının içindekiler nedeniyle yapının önemli altyapı hizmetlerinin yok olması	C <sub>2</sub>	Coefficient of possible interruption of important infrastructural services due to the objects in the building	C <sub>2</sub>
Kesilme yok	1	No interruption	1
Kısmen kesilme	0.1	Partial interruption	0.1
Tamamen kesilme	0.01	Permanent interruption	0.01
Diğer zararlar	C <sub>3</sub>	Coefficient of other damages	C <sub>3</sub>
Az	1	Small	1
Orta	0.5	Medium	0.5
Yüksek	0.1	High	0.1
Çok yüksek	0.01	Very high	0.01

## Roof Installation Details for Conductors

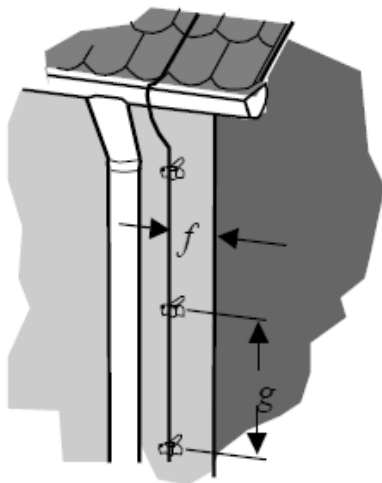
Installation of lightning rod conductor and down conductor on inclined roof ridges



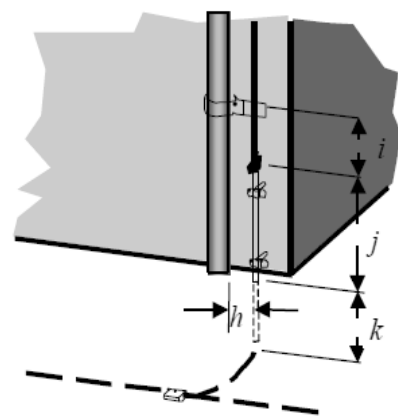
Installation of lightning rod for roof protection using protection angle



Installation of gutter connected down conductor



Installing test joints in down conductors and connection to rainwater downpipes



### Examples for Suitable Sizes

$a = 1 \text{ m}$	$d = 0.4 \text{ m}$	$g = 1 \text{ m}$	$j = 1.5 \text{ m}$
$b = 0.15 \text{ m}$	$e = 0.2 \text{ m}$	$h = 0.05 \text{ m}$	$k = 0.5 \text{ m}$
$c = 1 \text{ m}$	$f = 0.2 \text{ m}$	$i = 0.3 \text{ m}$	



R<sub>p</sub>: Protection Radius of Lightning Arrester

h: Difference of height between the structure to be protected and the tip of the arrester

D: Striking Distance

I. For Level 1 Protection: 20m

II. For Level 2 Protection: 45m

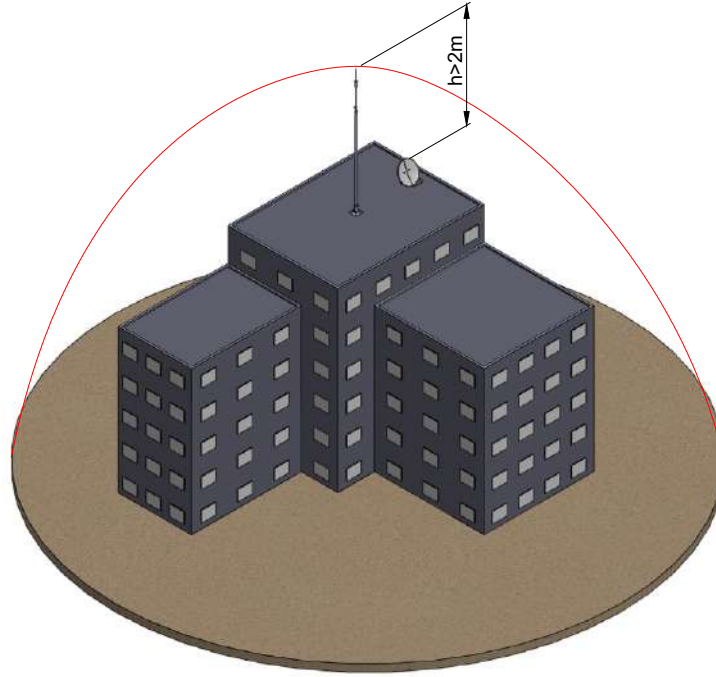
III. For Level 3 Protection: 60m

$\Delta L: \Delta t. 1m/\mu s$

h  $\geq$  5m için

$$R_p : \sqrt{h (2D - h) + \Delta L (2D + \Delta L)}$$

for h < 5m, R<sub>p</sub> is calculated from the table below:



Protection Level	Protection Radius of Lightning Arrester								
	I (D=20m)			II (D=20m)			III (D=20m)		
	Pulsar30	Pulsar45	Pulsar60	Pulsar30	Pulsar45	Pulsar60	Pulsar30	Pulsar45	Pulsar60
h (m)	Protection Radius (m)			Protection Radius (m)			Protection Radius (m)		
2	19	25	32	25	32	40	28	36	44
3	28	38	48	38	48	59	42	57	65
4	38	51	64	50	65	78	57	72	87
5	48	63	79	63	81	97	71	89	107
6	48	63	79	64	81	97	72	90	107
8	49	64	79	65	82	98	73	91	108
10	49	64	79	66	83	99	75	92	109
15	50	65	80	69	85	101	78	95	111
20	50	65	80	71	86	102	81	97	113
45	50	65	80	75	90	105	89	104	119
60	50	65	80	75	90	105	90	105	120



### Aktif Paratoner Active Lightning Conductor

Part No.	$\Delta T$ Value	Weight (each)
EY.00.PPULSAR 60	155 $\mu$ s	3,70
EY.00.PPULSAR 45	70 $\mu$ s	3,50
EY.00.PPULSAR 30	45 $\mu$ s	3,40

Pulsar'ın  $\Delta T$  değerleri, 5 farklı ülkedeki çeşitli yüksek gerilim laboratuvarlarında yapılan testlerle belirlenmiştir. LCIE, BSI, SOULE, BAZET, WHVRI gibi sertifikalara sahip olan Pulsar, 155 mikrosaniyelik  $\Delta T$  değerine sahiptir.

Pulsar, enerjisini yıldırımlı havadaki mevcut elektrik alanından temin eder (10 ila 20 kV/m). Havadaki elektrik alan yoğunluğu, yıldırımın oluşabileceği minimum değeri bulduğunda Pulsar çalışmaya başlar. Bu da Pulsar'ın sadece yıldırım riski olan havalarda çalışmasını, diğer zamanlarda pasif uç görevi görmesini sağlar. Böylece düşmeyecek yıldırımları tetiklemez.

Pulsar, kontrollü frekans ve genlikteki yüksek gerilim darbeleri üreterek yeryüzünden yukarı doğru başlayacak olan korona deşarjlarının çok daha kısa sürede kendi üzerinden başlatarak yıldırımı kendisine doğru yönlendirir.

$\Delta T$  value of Pulsar has been determined by tests from various high voltage laboratories in 5 countries.

With certificates such as LCIE, BSI, SOULE, BAZET and WHVRI, Pulsar has a  $\Delta T$  value of 155 microseconds. Pulsar collects its energy (10~20kV/m) from the electric field present in the air during a stormy weather.

Pulsar activates only when the electric field density in the air is close to the minimum value for a lightning to strike; therefore Pulsar remains a passive rod in normal weather, without triggering lightnings.

Pulsar directs the lightning onto itself by generating high voltage pulses with controlled frequency and amplitude, thus starting the coronal discharges (that originate from the ground upwards) sooner.



## Aktif Paratoner Active Lightning Conductor

Part No.	Weight (each)
EY.00.PTESLA	7,50



NFC 17 102 standardına göre üretimi yapılan aktif paratoner başlığıdır. Havadaki elektrostatik alan deęişimi prensibine dayanan çalışma sistemi sayesinde yıldırım yakalama görevi görmektedir.

Test edilebilme özelliğine sahiptir.

ICMET ve BET gibi Avrupa laboratuvarlarından alınmış test belgeleri bulunmaktadır.

Ayrıca rüzgar dayanım test belgesine sahip bir üründür.

Active arresting rod produced in line with NFC 17 102 standards. Its arresting principle depends on the change in electrostatic field in the air. Testable on site.

Certified by European test laboratories such as ICMET and BET.

Also certified for wind resistance.

## Aktif Paratoner Yıldırım Sayıcı ve Test Cihazı Lightning Strike Counter & Conductor Tester

Part No.	Product Description	Weight (each)
EY.00.PYS.FOREND	Yıldırım Sayacı / Lightning Strike Counter	0,65
EY.00.PTC.FOREND	Test Cihazı / Conductor Tester	0,40





**Aktif Paratoner**  
Active Lightning Conductor

Part No.	Weight (each)
EY.00.PPETEX	3,00
EY.00.PPETEX TE	1,90

**NFC 17 102 standardına göre üretimi yapılan aktif paratoner başlığıdır. Havadaki elektrostatik alan değişimi prensibine dayanan çalışma sistemi sayesinde yıldırım yakalama görevi görmektedir.**

**Test edilebilme özelliğine sahiptir.**

**ICMET ve BET gibi Avrupa laboratuvarlarından alınmış test belgeleri bulunmaktadır.**

**Ayrıca rüzgar dayanım test belgesine sahip bir üründür.**

Active arresting rod produced in line with NFC 17 102 standards. Its arresting principle depends on the change in electrostatic field in the air.

Testable on site.

Certified by European test laboratories such as ICMET and BET.

Also certified for wind resistance.

As well as being a more affordable solution by design, it also offers easy installation in locations such as high towers.



## Paratoner Montaj Direği Lightning Conductor Mast

Part No.	Material	Diameter	Length	Weight (each)
EY.FE.D.203	StZn	2"	3 m	16,10
EY.FE.D.206	StZn	2"	6 m	32,20
EY.FE.D.253	StZn	2 ½"	3 m	20,60
EY.FE.D.256	StZn	2 ½"	6 m	41,30
EY.FE.D.303	StZn	3"	3 m	26,80
EY.FE.D.306	StZn	3"	6 m	53,60

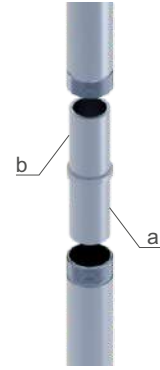
StZn: Galvanizli Çelik /Galvanized Steel



## Paratoner Direği Montaj Adaptörü Lightning Conductor Mast Adapters

Part No.	Material	Diameter (a)	Diameter (b)	Weight (each)
EY.FE.DA.20	StZn	2"	2"	1,00
EY.FE.DA.25	StZn	2 ½"	2 ½"	1,80
EY.FE.DA.30	StZn	3"	3"	2,30
EY.FE.DA.2520	StZn	2 ½"	2"	2,40
EY.FE.DA.3020	StZn	3"	2"	3,00
EY.FE.DA.3025	StZn	3"	2 ½"	2,60

StZn: Galvanizli Çelik / Galvanized Steel

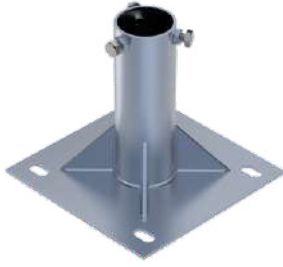


## Paratoner Direği Montaj Tabanı Lightning Conductor Mast Base

Part No.	Material	Diameter	Hole Diameter	Weight (each)
EY.FD.DTD.20	StZn	2"	10.0 mm	0,25
EY.FD.DTD.25	StZn	2 ½"	10.0 mm	0,30
EY.FD.DTD.30	StZn	3"	10.0 mm	0,35

StZn: Galvanizli Çelik / Hot Dip Galvanized Steel





Paratoner Direği Montaj Tabanı (Orta Tip)  
Lightning Conductor Mast Base (Type Middle)

Part No.	Material	Diameter	Hole Diameter	Weight (each)
EY.FD.DTM.20	StZn	2"	13x25 mm	4,50
EY.FD.DTM.25	StZn	2 ½"	13x25 mm	4,90
EY.FD.DTM.30	StZn	3"	13x25 mm	5,40

StZn: Galvanizli Çelik / Hot Dip Galvanized Steel  
Anahtar Ölçüsü / Spanner 17 mm



Paratoner Tespit Kelepçesi  
Lightning Conductor Clamp

Part No.	Material	Diameter	Mounting Diameter	Weight (each)
EY.FD.DTP2016	StZn	2"	16.0 mm	0,72
EY.FD.DTP2516	StZn	2 ½"	16.0 mm	0,76
EY.FD.DTP3016	StZn	3"	16.0 mm	0,80
EY.FD.DTP2020	StZn	2"	20.0 mm	0,72
EY.FD.DTP2520	StZn	2 ½"	20.0 mm	0,76
EY.FD.DTP3020	StZn	3"	20.0 mm	0,80

StZn: Galvanizli Çelik / Hot Dip Galvanized Steel  
Anahtar Ölçüsü / Spanner 17 mm



Paratoner Tespit Adaptörü  
Lightning Conductor Adapter

Part No.	Material	Diameter (a)	Diameter (b)	Weight (each)
EY.FE.DPA.20	StZn	2"	30.0 mm	2,25
EY.FE.DPA.25	StZn	2 ½"	30.0 mm	3,35
EY.FE.DPA.30	StZn	3"	30.0 mm	4,60

StZn: Galvanizli Çelik / Galvanized Steel  
Sadece Franklin ve Pulsar Serisi Paratonerlerin Direğe Montajında Kullanılır.  
Used only for pole installation of Franklin Frank and Pulsar lightning arresters.



## Paratoner Diređi Gerdirme Kelepçesi Stretch Wire Clip

Part No.	Material	Diameter	Weight (each)
EY.FD.DKG.20	StZn	2"	0,49
EY.FD.DKG.25	StZn	2 ½"	0,52
EY.FD.DKG.30	StZn	3"	0,55

StZn: Galvanizli Çelik / Hot Dip Galvanized Steel  
Anahtar Ölçüsü / Spanner 13 mm



## Gergi Teli Tabanı Stretch Wire Fixing Foot

Part No.	Material	Hole Diameter	Weight (each)
EY.FD.DGT.3	StZn	10.0 mm	0,9

StZn: Galvanizli Çelik / Hot Dip Galvanized Steel



## Paratoner Diređi Gerdirme Kelepçesi Stretch Wire Clip

Part No.	Material	Wire Diameter	Weight (each)
EY.FE.DEG.3	StZn	3.0 mm	0,05
EY.FE.DEG.5	StZn	5.0 mm	0,08
EY.FE.DEG.8	StZn	8.0 mm	0,11
EY.FE.DKG.3	StZn	3.0 mm	0,01
EY.FE.DKG.5	StZn	5.0 mm	0,01
EY.FE.DKG.8	StZn	8.0 mm	0,02

StZn: Galvanizli Çelik / Galvanized Steel



DEG



DKG

## Gergi Teli Steel Stretch Wire

Part No.	Material	Weight (each)
EY.FE.DTG.3	StZn	0,03
EY.FE.DTG.5	StZn	0,09
EY.FE.DTG.8	StZn	0,18
EY.FE.DTGİ.3	StZn+Pvc	0,04
EY.FE.DTGİ.5	StZn+Pvc	0,10
EY.FE.DTGİ.8	StZn+Pvc	0,20

StZn: Galvanizli Çelik / Galvanized Steel



### Muhafaza Borusu Protective Pipe



Part No.	Material	Diameter	Length	Weight (each)
EY.FD.MB.26	StZn	1"	3 m	2,00
EY.FD.MB.42	StZn	1 ¼"	3 m	3,75

StZn: Galvanizli Çelik / Hot Dip Galvanized Steel

### Muhafaza Borusu Tespit Kelepçesi Protective Pipe Clip



Part No.	Material	Diameter	Hole Diameter	Weight (each)
EY.FD.BKB.26	StZn	1"	7.0 mm	0,03
EY.FD.BKB.42	StZn	1 ¼"	7.0 mm	0,07

StZn: Galvanizli Çelik / Hot Dip Galvanized Steel

### Muhafaza Borusu Tespit Kelepçesi (Plon Tip) Protective Pipe Clip (Pylon Type)



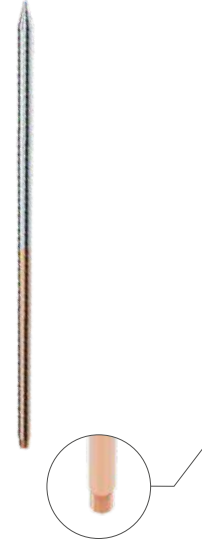
Part No.	Material	Diameter	Screw Diameter	Weight (each)
EY.FD.BKP26	StZn	1"	M.6x25	0,28
EY.FD.BKP42	StZn	1 ¼"	M.6x25	0,30

StZn: Galvanizli Çelik / Hot Dip Galvanized Steel  
Anahtar Ölçüsü / Spanner 13 mm

## Yakalama Ucu Air Rod

Part No.	Material	Diameter	Thread Size	Length	Weight (each)
EY.CCR.YC.16020	Cu/CrNi	16.0 mm	G 3/8"	200 mm	0,33
EY.CCR.YC.16030	Cu/CrNi	16.0 mm	G 3/8"	300 mm	0,51
EY.CCR.YC.16040	Cu/CrNi	16.0 mm	G 3/8"	400 mm	0,69
EY.CCR.YC.16050	Cu/CrNi	16.0 mm	G 3/8"	500 mm	0,87
EY.CCR.YC.16060	Cu/CrNi	16.0 mm	G 3/8"	600 mm	1,04
EY.CCR.YC.16080	Cu/CrNi	16.0 mm	G 3/8"	800 mm	1,40
EY.CCR.YC.16100	Cu/CrNi	16.0 mm	G 3/8"	1000 mm	1,76
EY.CCR.YC.16150	Cu/CrNi	16.0 mm	G 3/8"	1500 mm	2,66
EY.CCR.YC.20020	Cu/CrNi	20.0 mm	G 3/8"	200 mm	0,53
EY.CCR.YC.20030	Cu/CrNi	20.0 mm	G 3/8"	300 mm	0,81
EY.CCR.YC.20040	Cu/CrNi	20.0 mm	G 3/8"	400 mm	1,09
EY.CCR.YC.20050	Cu/CrNi	20.0 mm	G 3/8"	500 mm	1,37
EY.CCR.YC.20060	Cu/CrNi	20.0 mm	G 3/8"	600 mm	1,65
EY.CCR.YC.20080	Cu/CrNi	20.0 mm	G 3/8"	800 mm	2,21
EY.CCR.YC.20100	Cu/CrNi	20.0 mm	G 3/8"	1000 mm	2,77
EY.CCR.YC.20150	Cu/CrNi	20.0 mm	G 3/8"	1500 mm	4,17

Cu/CrNi: Krom Kaplı Bakır / Chrome Plated Copper

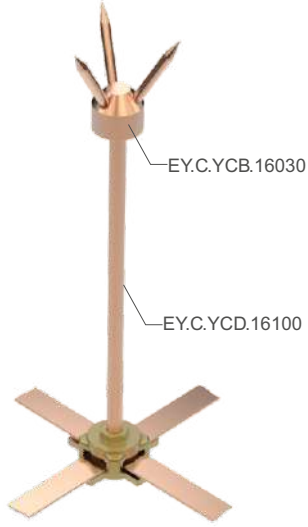


## Yakalama Ucu Air Rod

Part No.	Material	Diameter	Thread Size	Length	Weight (each)
EY.SS.YC.16020	Inox	16.0 mm	G 3/8"	200 mm	0,32
EY.SS.YC.16030	Inox	16.0 mm	G 3/8"	300 mm	0,48
EY.SS.YC.16040	Inox	16.0 mm	G 3/8"	400 mm	0,64
EY.SS.YC.16050	Inox	16.0 mm	G 3/8"	500 mm	0,80
EY.SS.YC.16060	Inox	16.0 mm	G 3/8"	600 mm	0,97
EY.SS.YC.16080	Inox	16.0 mm	G 3/8"	800 mm	1,29
EY.SS.YC.16100	Inox	16.0 mm	G 3/8"	1000 mm	1,61
EY.SS.YC.16150	Inox	16.0 mm	G 3/8"	1500 mm	2,41
EY.SS.YC.20020	Inox	20.0 mm	G 3/8"	200 mm	0,50
EY.SS.YC.20030	Inox	20.0 mm	G 3/8"	300 mm	0,75
EY.SS.YC.20040	Inox	20.0 mm	G 3/8"	400 mm	1,01
EY.SS.YC.20050	Inox	20.0 mm	G 3/8"	500 mm	1,26
EY.SS.YC.20060	Inox	20.0 mm	G 3/8"	600 mm	1,51
EY.SS.YC.20080	Inox	20.0 mm	G 3/8"	800 mm	2,01
EY.SS.YC.20100	Inox	20.0 mm	G 3/8"	1000 mm	2,51
EY.SS.YC.20150	Inox	20.0 mm	G 3/8"	1500 mm	3,77
EY.SS.YC.20200	Inox	20.0 mm	G 3/8"	2000 mm	5,02

Inox: Paslanmaz Çelik / Stainless Steel





## Çoklu Yakalama Ucu Air Rod (Multiple Point)

Part No.	Material	Diameter	Thread Size	Length	Weight (each)
EY.C.YCB.16030	Cu				1,25
EY.C.YCD.16050	Cu	16.0 mm	G 3/8"	500 mm	0,87
EY.C.YCD.16100	Cu	16.0 mm	G 3/8"	1000 mm	1,76
EY.C.YCD.16150	Cu	16.0 mm	G 3/8"	1500 mm	2,66
EY.C.YCD.16200	Cu	16.0 mm	G 3/8"	2000 mm	3,55
EY.C.YCD.16300	Cu	16.0 mm	G 3/8"	3000 mm	5,35

Cu: Bakır / Copper



## Yakalama Ucu Tabanı Air Rod Base

Part No.	Material	Conductor Diameter	Thread Size	Hole Diameter	Weight (each)
EY.FE.YCTS.450	StZn	4x50mm <sup>2</sup>	G 3/8"	6.0 mm	0,24
EY.C.YCTS.450	Cu	4x50mm <sup>2</sup>	G 3/8"	6.0 mm	0,26
EY.CCR.YCTS.450	CuCrNi	4x50mm <sup>2</sup>	G 3/8"	6.0 mm	0,26
EY.A.YCTS.450	Al	4x50mm <sup>2</sup>	G 3/8"	6.0 mm	0,10
EY.PYCTS.450	CuPbZn	4x50mm <sup>2</sup>	G 3/8"	6.0 mm	0,25



StZn: Galvanizli Çelik / Galvanized Steel

Cu: Bakır / Copper

CuCrNi: Krom Kaplı Bakır / Chrome Plated Copper

Al: Alüminyum / Aluminium

CuPbZn: Piring / Brass

Anahtar Ölçüsü / Spanner 10 mm

Ürün Görseli EY.FE.YCTS.450 Kodlu üründür.

Photo depicts product: EY.FE.YCTS.450



## Yakalama Ucu Tabanı Air Rod Base

Part No.	Material	Conductor Diameter	Thread Size	Hole Diameter	Weight (each)
EY.FE.YCTS.4303	StZn	4x30x3mm	G 3/8"	8.0 mm	0,35
EY.C.YCTS.4303	Cu	4x30x3mm	G 3/8"	8.0 mm	0,39

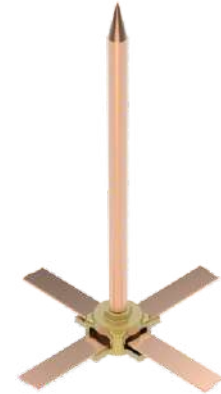
StZn: Galvanizli Çelik / Galvanized Steel  
Cu: Bakır / Copper  
Anahtar Ölçüsü / Spanner 10 mm



## Yakalama Ucu Tabanı Air Rod Base

Part No.	Material	Conductor Diameter	Thread Size	Hole Diameter	Weight (each)
EY.PYCTF4303	CuPbZn	4x30x3mm	G 3/8"	6.0 mm	0,54
EY.A.YCTF4303	Al	4x30x3mm	G 3/8"	6.0 mm	0,23

CuPbZn: Piring / Brass  
Al: Alüminyum / Aluminium

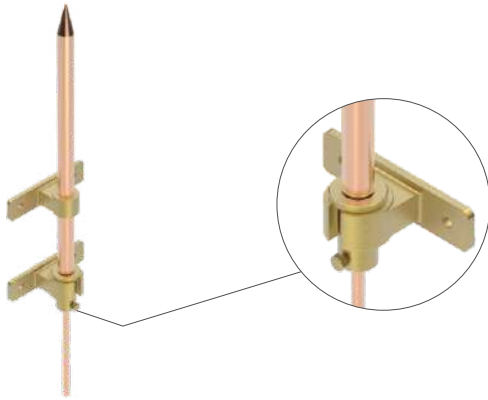




## Yakalama Ucu Tabanı Air Rod Base

Part No.	Material	Conductor Diameter	Thread Size	Screw Diameter	Weight (each)
EY.PYCTD.150	CuPbZn	1x50mm <sup>2</sup>	G 3/8"	M.6x20	0,23
EY.A.YCTD.150	Al	1x50mm <sup>2</sup>	G 3/8"	M.6x20	0,08
EY.PYCTD.1253	CuPbZn	25x3mm	G 3/8"	M.6x20	0,25
EY.A.YCTD.1253	Al	25x3mm	G 3/8"	M.6x20	0,08

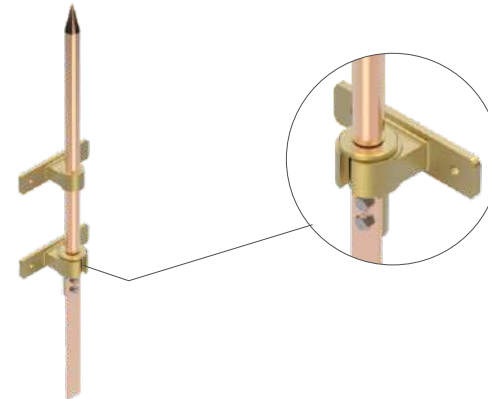
CuPbZn: Pirinç / Brass  
Al: Alüminyum / Aluminium



## Yakalama Ucu Tabanı Air Rod Brackets

Part No.	Material	Rod Diameter	Hole Diameter	Weight (each)
EY.PYCTDT.16	CuPbZn	16.0 mm	8.0 mm	0,80
EY.A.YCTDT.16	Al	16.0 mm	8.0 mm	0,25

CuPbZn: Pirinç / Brass  
Al: Alüminyum / Aluminium

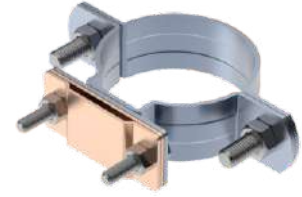




## Direk İniş Kelepçesi Pole Clips

Part No.	Material	Conductor Diameter	Pole Size	Screw Diameter	Weight (each)
EY.FDC.DKİ.20303	Cu	30x3mm	2"	M.6x20	0,21
EY.FDC.DKİ.25303	Cu	30x3mm	2 ½"	M.6x20	0,24
EY.FDC.DKİ.30303	Cu	30x3mm	3"	M.6x20	0,26

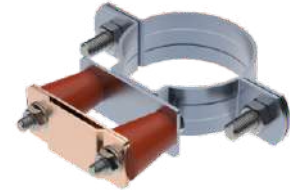
Cu: Bakır / Copper  
Anahtar Ölçüsü / Spanner 13 mm, 10 mm  
Civata / Screw: Paslanmaz / Stainless



## Direk İniş Kelepçesi Pole Clips

Part No.	Material	Conductor Diameter	Pole Size	Screw Diameter	Weight (each)
EY.FDC.DKİİ.20303	Cu	30x3mm	2"	M.6x20	0,25
EY.FDC.DKİİ.25303	Cu	30x3mm	2 ½"	M.6x20	0,28
EY.FDC.DKİİ.30303	Cu	30x3mm	3"	M.6x20	0,30

Cu: Bakır / Copper  
Anahtar Ölçüsü / Spanner 13 mm, 10 mm  
Civata / Screw: Paslanmaz / Stainless





Çatı İletken Tutucu  
Roof Conductor Holder

Part No.	Material	Conductor Diameter	Weight (each)
EY.PVC.İK.150	Pvc	1x50mm <sup>2</sup>	1,00
EY.PVC.İK.170	Pvc	1x70mm <sup>2</sup>	1,00



Çatı İletken Tutucu  
Roof Conductor Holder

Part No.	Material	Conductor Diameter	Weight (each)
EY.PVC.İKA.250	Pvc	2x50mm <sup>2</sup>	0,02
EY.PVC.İKA.303	Pvc	30x3mm	0,01

Sadece İletken Tutucuyu içerir. EY.PVC.İK.150 kodlu üründe opsiyonel olarak kullanılmaktadır.  
Includes only conductor holder. For optional use with product: EY.PVC.İK.150



Yakalama Ucu Tabanı  
Air Rod Base

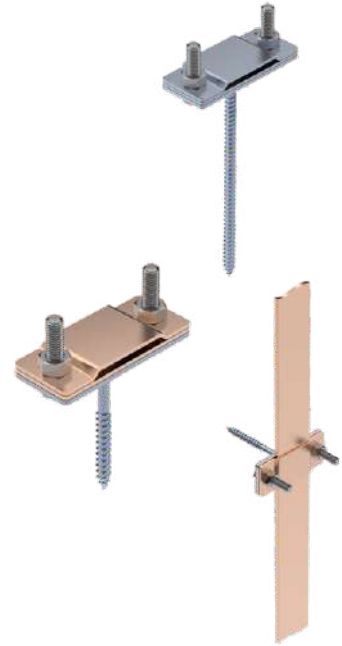


Part No.	Material	Conductor Diameter	Thread Size	Weight (each)
EY.PFE.YCTS.450	Pvc+StZn	4x50mm <sup>2</sup>	G 3/8"	1,45
EY.PVC.NP1	Yapıştırıcı/Adhesive 290 MI			0,52

StZn: Galvanizli Çelik / Galvanized Steel

## Duvar İniş Klemensi Wall Clips

Part No.	Material	Conductor Diameter	Screw Size	Screw Diameter	Weight (each)
EY.FD.İKT.303.8060E	StZn	30x3mm	6x60mm	M.6x20	0,06
EY.FD.İKT.303.8100E	StZn	30x3mm	6x100mm	M.6x20	0,07
EY.FD.İKT.303.8120E	StZn	30x3mm	6x120mm	M.6x20	0,07
EY.FD.İKT.303.8150E	StZn	30x3mm	6x150mm	M.6x20	0,08
EY.FDC.İKT.303.8060E	Cu	30x3mm	6x60mm	M.6x20	0,08
EY.FDC.İKT.303.8060SS	Cu	30x3mm	6x60mm	M.6x20	0,08
EY.FDC.İKT.303.8100E	Cu	30x3mm	6x100mm	M.6x20	0,09
EY.FDC.İKT.303.8100SS	Cu	30x3mm	6x100mm	M.6x20	0,09
EY.FDC.İKT.303.8120E	Cu	30x3mm	6x120mm	M.6x20	0,10
EY.FDC.İKT.303.8120SS	Cu	30x3mm	6x120mm	M.6x20	0,10
EY.FDC.İKT.303.8150E	Cu	30x3mm	6x150mm	M.6x20	0,11
EY.FDC.İKT.303.8150SS	Cu	30x3mm	6x150mm	M.6x20	0,11



StZn: Galvanizli Çelik / Galvanized Steel

Cu: Bakır / Copper

Anahtar Ölçüsü / Spanner 10 mm

Ürün Kodu sonunda belirtilen "E" (Elektro galvaniz) ve "SS" (Paslanmaz) Civata Özelliğini belirler. "E" (electro galvanized) and "SS" (stainless) suffixes denote bolt properties.

## Duvar İniş Klemensi Wall Clips

Part No.	Material	Conductor Diameter	Screw Size	Screw Diameter	Weight (each)
EY.FD.İKT.150.8060E	StZn	1x50mm <sup>2</sup>	6x60mm	M.6x20	0,06
EY.FD.İKT.150.8100E	StZn	1x50mm <sup>2</sup>	6x100mm	M.6x20	0,07
EY.FD.İKT.150.8120E	StZn	1x50mm <sup>2</sup>	6x120mm	M.6x20	0,07
EY.FD.İKT.150.8150E	StZn	1x50mm <sup>2</sup>	6x150mm	M.6x20	0,07
EY.FDC.İKT.150.8060E	Cu	1x50mm <sup>2</sup>	6x60mm	M.6x20	0,06
EY.FDC.İKT.150.8060SS	Cu	1x50mm <sup>2</sup>	6x60mm	M.6x20	0,06
EY.FDC.İKT.150.8100E	Cu	1x50mm <sup>2</sup>	6x100mm	M.6x20	0,07
EY.FDC.İKT.150.8100SS	Cu	1x50mm <sup>2</sup>	6x100mm	M.6x20	0,07
EY.FDC.İKT.150.8120E	Cu	1x50mm <sup>2</sup>	6x120mm	M.6x20	0,07
EY.FDC.İKT.150.8120SS	Cu	1x50mm <sup>2</sup>	6x120mm	M.6x20	0,07
EY.FDC.İKT.150.8150E	Cu	1x50mm <sup>2</sup>	6x150mm	M.6x20	0,08
EY.FDC.İKT.150.8150SS	Cu	1x50mm <sup>2</sup>	6x150mm	M.6x20	0,08
EY.FDA.İKT.150.8060E	Al	1x50mm <sup>2</sup>	6x60mm	M.6x20	0,05
EY.FDA.İKT.150.8100E	Al	1x50mm <sup>2</sup>	6x100mm	M.6x20	0,06
EY.FDA.İKT.150.8120E	Al	1x50mm <sup>2</sup>	6x120mm	M.6x20	0,06
EY.FDA.İKT.150.8150E	Al	1x50mm <sup>2</sup>	6x150mm	M.6x20	0,08



StZn: Galvanizli Çelik / Galvanized Steel

Cu: Bakır / Copper

Al: Alüminyum / Aluminium

Anahtar Ölçüsü / Spanner 10 mm

Ürün Kodu sonunda belirtilen "E" (Elektro galvaniz) ve "SS" (Paslanmaz) Civata Özelliğini belirler. "E" (electro galvanized) and "SS" (stainless) suffixes denote bolt properties.



### Duvar İniş Klemensi DC Clamp

Part No.	Material	Conductor Diameter	Hole Diameter	Screw Diameter	Weight (each)
EY.PİKS.203	CuPbZn	20x3mm	6.0mm	M.5x15	0,05
EY.PİKS.253	CuPbZn	25x3mm	6.0mm	M.5x15	0,05
EY.PİKS.303	CuPbZn	30x3mm	6.0mm	M.5x15	0,06
EY.A.İKS.203	Al	20x3mm	6.0mm	M.5x15	0,03
EY.A.İKS.253	Al	25x3mm	6.0mm	M.5x15	0,03
EY.A.İKS.303	Al	30x3mm	6.0mm	M.5x15	0,03

CuPbZn: Piringç / Brass  
Al: Alüminyum / Aluminium



### Duvar İniş Klemensi Saddle Clamp

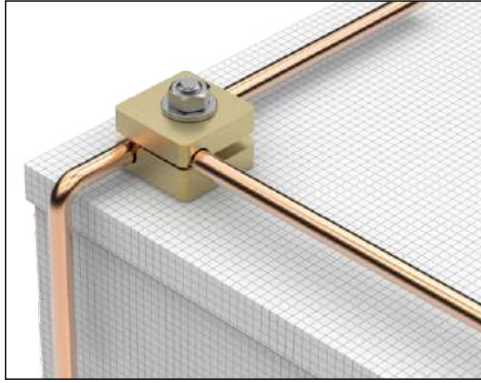
Part No.	Material	Conductor Diameter	Hole Diameter	Screw Diameter	Weight (each)
EY.PİK.150	CuPbZn	1x50mm <sup>2</sup>	6.0mm	M.5x15	0,07
EY.A.İK.150	Al	1x50mm <sup>2</sup>	6.0mm	M.5x15	0,03

CuPbZn: Piringç / Brass  
Al: Alüminyum / Aluminium

## Duvar İniş Klemensi Square Clamp

Part No.	Material	Conductor Diameter	Screw Diameter	Weight (each)
EY.İİK.D.150	CuPbZn	1x50mm <sup>2</sup>	M.8x30	0,17
EY.A.İKD.150	Al	1x50mm <sup>2</sup>	M.8x30	0,07

CuPbZn: Piring / Brass  
Al: Alüminyum / Aluminium  
Anahtar Ölçüsü / Spanner 13 mm  
Civata / Screw: Paslanmaz / Stainless

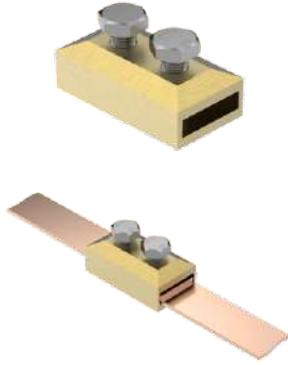


## Duvar İniş Klemensi Tee Clamp

Part No.	Material	Conductor Diameter	Screw Diameter	Weight (each)
EY.İİKT.150	CuPbZn	1x50mm <sup>2</sup>	M.10x30	0,20
EY.A.İKT.150	Al	1x50mm <sup>2</sup>	M.10x30	0,09

CuPbZn: Piring / Brass  
Al: Alüminyum / Aluminium  
Anahtar Ölçüsü / Spanner 17 mm  
Civata / Screw: Paslanmaz / Stainless





### İniş Ek Klemensi Jointing Clamp

Part No.	Material	Conductor Diameter	Screw Diameter	Weight (each)
ET.PTKE.253	CuPbZn	25x3mm	M.10x30	0,20
ET.PTKE.303	CuPbZn	30x3mm	M.10x30	0,22

CuPbZn: Pirinç / Brass  
Anahtar Ölçüsü / Spanner 17mm  
Civata / Screw: Paslanmaz / Stainless



### Platform İniş Klemensi Metalwork Clamp

Part No.	Material	Conductor Diameter	Screw Size	Screw Diameter	Weight (each)
EY.İRİK250	CuPbZn	2x50mm <sup>2</sup>	M.8x25	M.10x30	0,40
EY.A.İK250	Al	2x50mm <sup>2</sup>	M.8x25	M.10x30	0,15

CuPbZn: Pirinç / Brass  
Al: Alüminyum / Aluminium  
Anahtar Ölçüsü / Spanner 13 mm, 17 mm  
Civata / Screw: Paslanmaz / Stainless



### İniş Ek Klemensi Jointing Clamp

Part No.	Material	Conductor Diameter	Screw Diameter	Weight (each)
EY.İRİK.250	CuPbZn	2x50mm <sup>2</sup>	M.8x30	0,18
EY.A.İK.250	Al	2x50mm <sup>2</sup>	M.8x30	0,08

CuPbZn: Pirinç / Brass  
Al: Alüminyum / Aluminium  
Anahtar Ölçüsü / Spanner 13 mm  
Civata / Screw: Paslanmaz / Stainless



## Platform İniş Klemensi Metalwork Clamp

Part No.	Material	Conductor Diameter	Screw Size	Screw Diameter	Weight (each)
EY.FD.İKP150.620E	StZn	1x50mm <sup>2</sup>	M.8x30	M.6x20	0,13
EY.FDC.İKP150.620E	Cu	1x50mm <sup>2</sup>	M.8x30	M.6x20	0,13
EY.FDC.İKP170.620E	Cu	1x70mm <sup>2</sup>	M.8x30	M.6x20	0,14
EY.FDC.İKP195.620E	Cu	1x95mm <sup>2</sup>	M.8x30	M.6x20	0,14
EY.FDC.İKP1120.620E	Cu	1x120mm <sup>2</sup>	M.8x30	M.6x20	0,15
EY.FDA.İKP150.620E	Al	1x50mm <sup>2</sup>	M.8x30	M.6x20	0,12

StZn: Galvanizli Çelik / Galvanized Steel

Cu: Bakır / Copper

Al: Alüminyum / Aluminium

Anahtar Ölçüsü / Spanner 13 mm, 10 mm

Ürün Kodu sonunda belirtilen "E" (Elektro galvaniz) Civata Özelliğini belirler.  
"E" (electro galvanized) suffixes denote bolt properties.



## Platform İniş Klemensi Metalwork Clamp

Part No.	Material	Conductor Diameter	Screw Size	Screw Diameter	Weight (each)
EY.FD.İKP250.620E	StZn	2x50mm <sup>2</sup>	M.8x30	M.6x20	0,13
EY.FDC.İKP250.620E	Cu	2x50mm <sup>2</sup>	M.8x30	M.6x20	0,14
EY.FDA.İKP250.620E	Al	2x50mm <sup>2</sup>	M.8x30	M.6x20	0,12

StZn: Galvanizli Çelik / Galvanized Steel

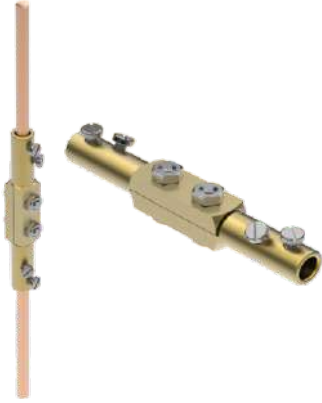
Cu: Bakır / Copper

Al: Alüminyum / Aluminium

Anahtar Ölçüsü / Spanner 13 mm, 10 mm

Ürün Kodu sonunda belirtilen "E" (Elektro galvaniz) Civata Özelliğini belirler.  
"E" (electro galvanized) suffixes denote bolt properties.





### Test Klemensi Test Clamp

Part No.	Material	Conductor Diameter	Screw Diameter	Screw Diameter	Weight (each)
EY.PTK.150	CuPbZn	1x50mm <sup>2</sup>	M.5x10	M.6x25	0,15
EY.A.TK.150	Al	1x50mm <sup>2</sup>	M.5x10	M.6x25	0,06

CuPbZn: Piring / Brass  
Al: Alüminyum / Aluminium  
Anahtar Ölçüsü / Spanner 10 mm



### Test Klemensi Test Clamp

Part No.	Material	Conductor Diameter	Weight (each)
EY.C.TK.250	Cu	2x50mm <sup>2</sup>	0,26
EY.FD.TK.250	StZn	2x50mm <sup>2</sup>	0,24
EY.A.TK.250	Al	2x50mm <sup>2</sup>	0,17

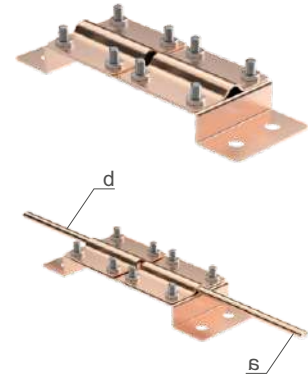
Cu: Bakır / Copper  
StZn: Galvanizli Çelik / Galvanized Steel  
Al: Alüminyum / Aluminium  
Anahtar Ölçüsü / Spanner 10 mm, 13 mm



## Test Klemensi Test Clamp

Part No.	Material	Conductor Diameter (a)	Conductor Diameter (b)	Screw Diameter	Weight (each)
EY.C.OTK.108	Cu	1x50mm <sup>2</sup>	1x50mm <sup>2</sup>	M.6x20	0,48
EY.FD.OTK.108	StZn	1x50mm <sup>2</sup>	1x50mm <sup>2</sup>	M.6x20	0,44
EY.A.OTK.108	Al	1x50mm <sup>2</sup>	1x50mm <sup>2</sup>	M.6x20	0,20

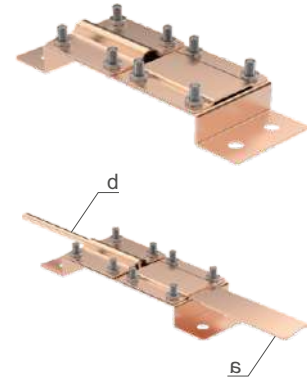
Cu: Bakır / Copper  
StZn: Galvanizli Çelik / Galvanized Steel  
Al: Alüminyum / Aluminium  
Anahtar Ölçüsü / Spanner 10 mm



## Test Klemensi Test Clamp

Part No.	Material	Conductor Diameter (a)	Conductor Diameter (b)	Screw Diameter	Weight (each)
EY.C.OTK.303108	Cu	30x3mm	1x50mm <sup>2</sup>	M.6x20	0,48
EY.FD.OTK.303108	StZn	30x3mm	1x50mm <sup>2</sup>	M.6x20	0,44
EY.C.OTK.404108	Cu	40x4mm	1x50mm <sup>2</sup>	M.6x20	0,58
EY.FD.OTK.404108	StZn	40x4mm	1x50mm <sup>2</sup>	M.6x20	0,56

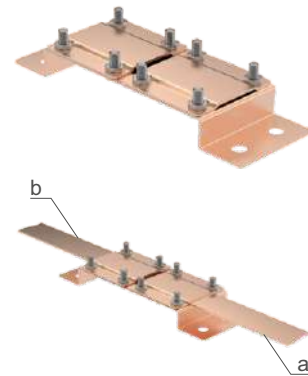
Cu: Bakır / Copper  
StZn: Galvanizli Çelik / Galvanized Steel  
Anahtar Ölçüsü / Spanner 10 mm



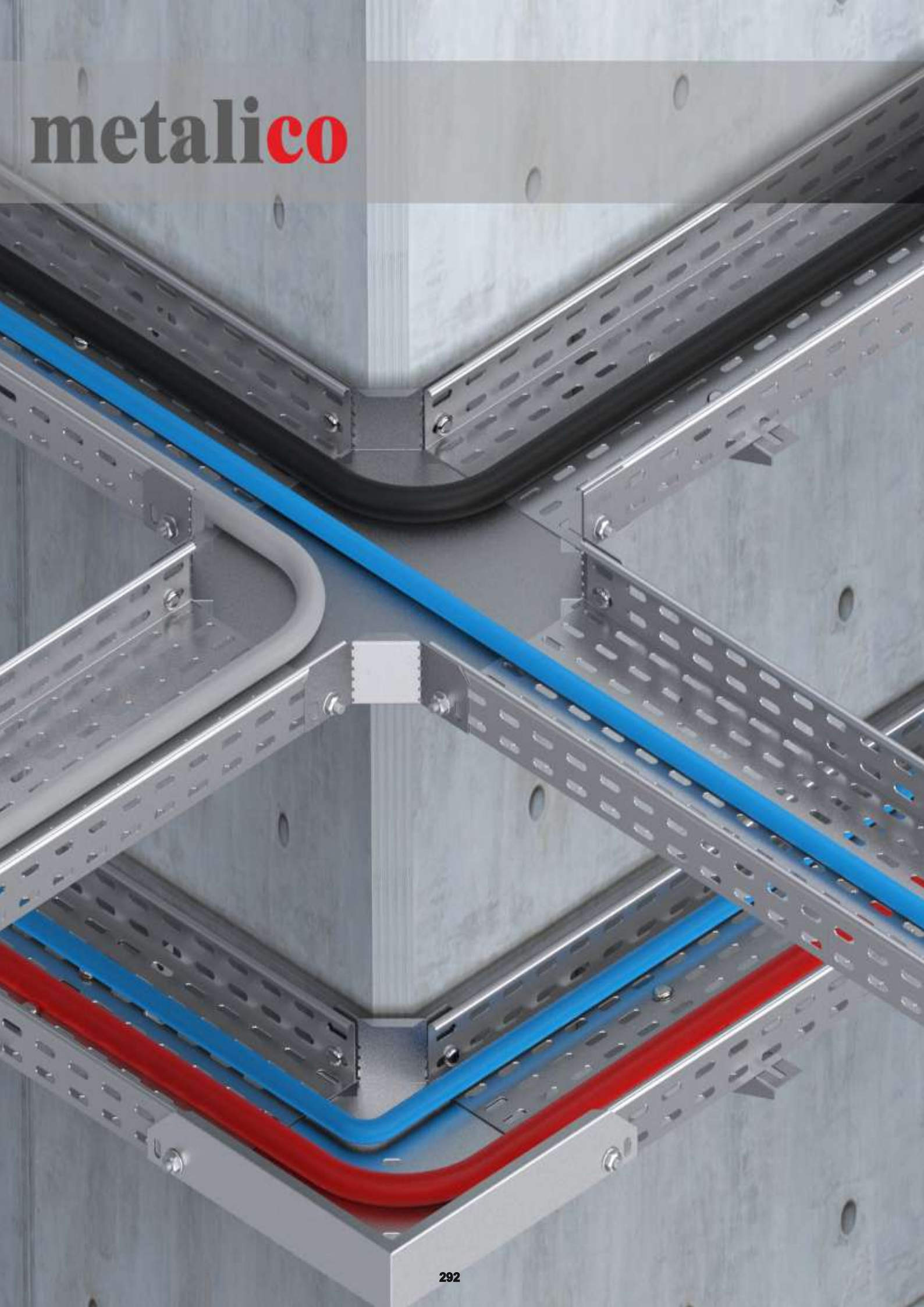
## Test Klemensi Test Clamp

Part No.	Material	Conductor Diameter (a)	Conductor Diameter (b)	Screw Diameter	Weight (each)
EY.C.OTK.303	Cu	30x3mm	30x3mm	M.6x20	0,48
EY.FD.OTK.303	StZn	30x3mm	30x3mm	M.6x20	0,44
EY.C.OTK.404	Cu	40x4mm	40x4mm	M.6x20	0,58
EY.FD.OTK.404	StZn	40x4mm	40x4mm	M.6x20	0,56

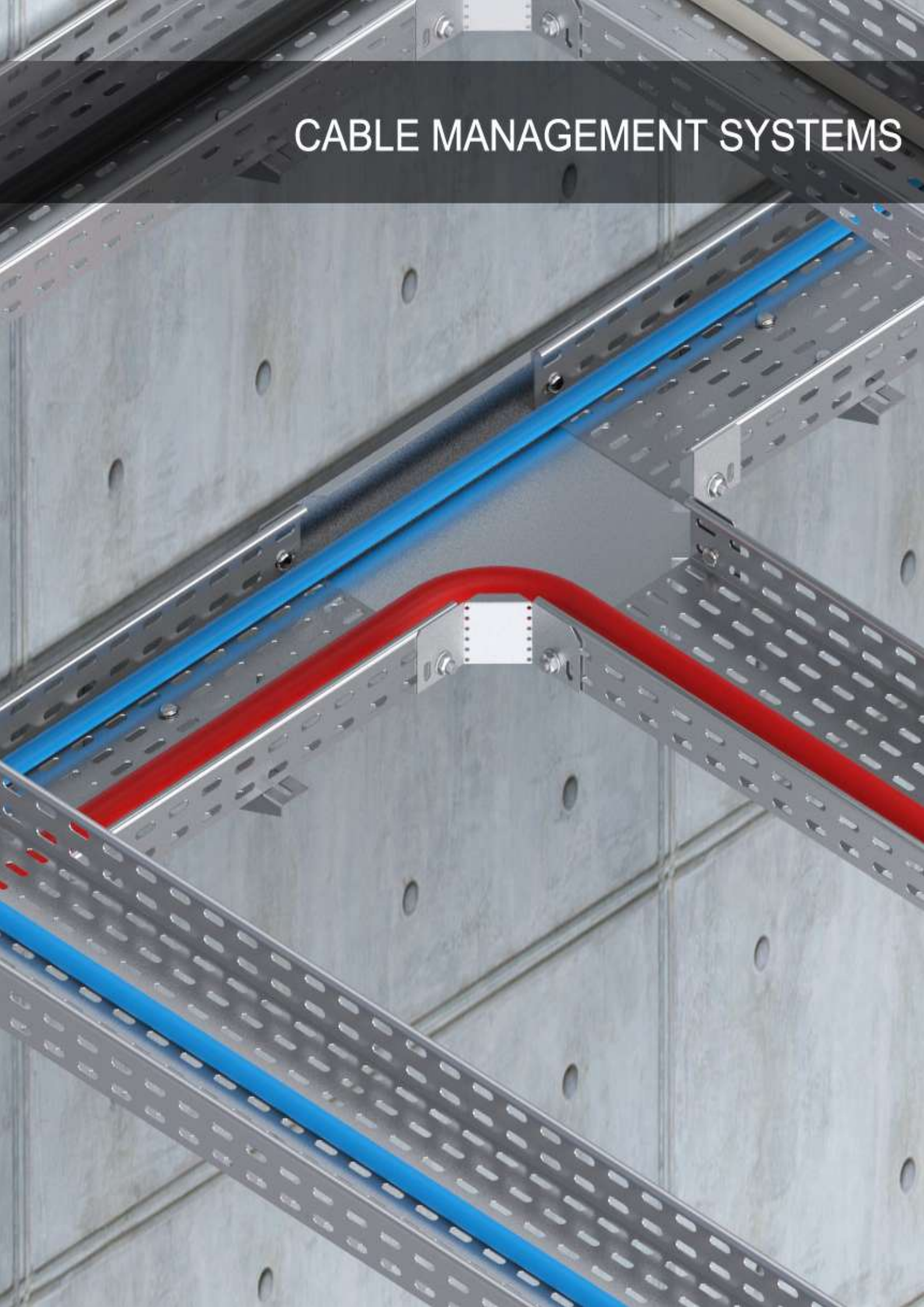
Cu: Bakır / Copper  
StZn: Galvanizli Çelik / Galvanized Steel  
Anahtar Ölçüsü / Spanner 10 mm



**metalico**



# CABLE MANAGEMENT SYSTEMS





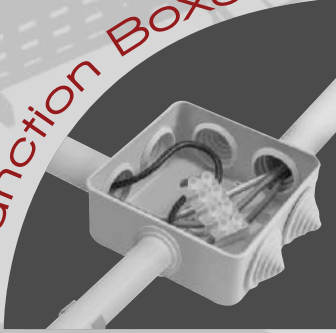
• Earthing Systems

• Pipe Clamps

• Conduits & Glands

• Junction Boxes

Junction Boxes



Earthing Systems



Pipe Clamps



Conduits & Glands



# metalico

CABLE MANAGEMENT SYSTEMS

Address: Ortaköy Sanayi Sitesi Mor Menekşe Sokak  
No:6 Selimpaşa - İstanbul / TÜRKİYE

Phone : +90 532 580 73 88  
Fax : +90 212 549 06 87

E-mail: [info@metalicometal.com](mailto:info@metalicometal.com)  
Web: [www.metalicometal.com](http://www.metalicometal.com)