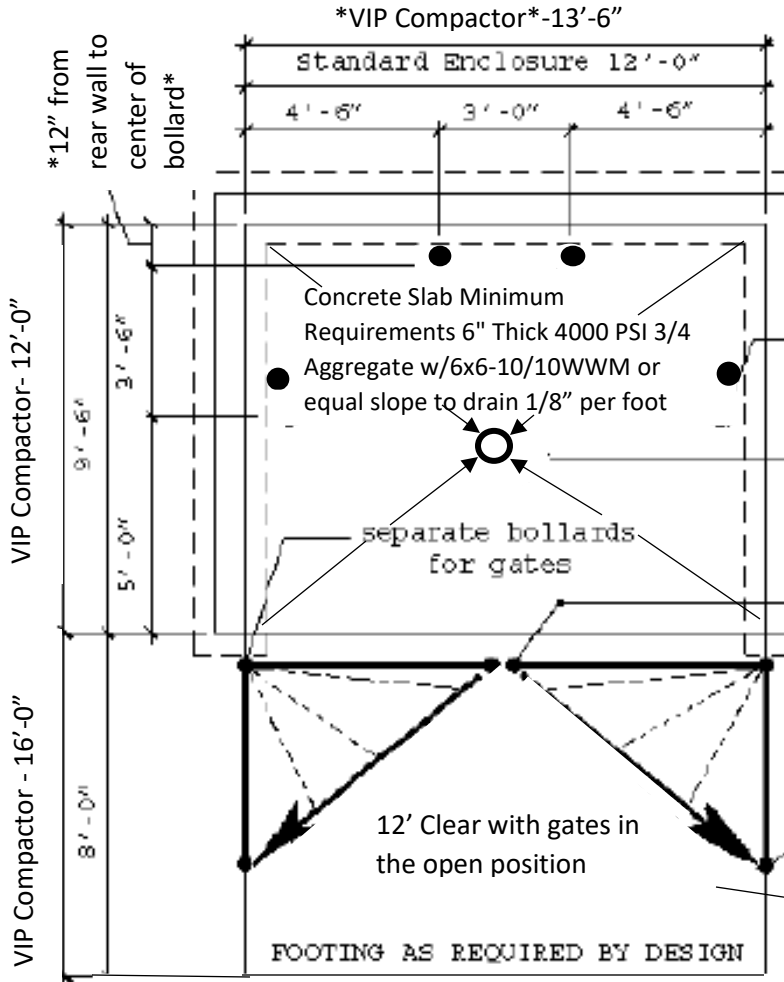


City of Albuquerque
Solid Waste Management Department
 4600 Edith Blvd NE
 Albuquerque, NM 87107

Dimensions given are to the inside of the enclosure walls and are the minimum sizes for the slab itself. Footing will vary with the design of the enclosure.



It is not the intention of the Solid Waste Department to control the design of an enclosure. It is the intent to give the minimum width, length, and height for varied types of enclosures.

Side bollards are to measure a max of 6" to center from the side enclosure wall.

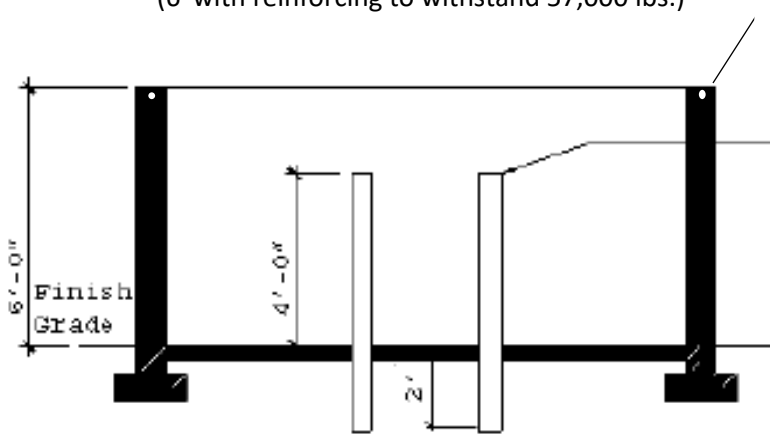
Attention: All Restaurants, Food Services, Food Distributors. A Sanitary Sewer Drain is required. It should measure 6' to center from side walls, and 4'-9" from back wall to center.

Drill holes in the closed position

Drill holes in the open position

Apron Minimum Requirements 4000 PSI 3/4" Aggregate With 6" Thick Concrete With 6X6-10/10 WWM or Equal With 1/2" Expansion Joint Between Slab and Apron

Apron Required In front of Each Enclosure (6" with reinforcing to withstand 57,000 lbs.)



Bond Beam

6" outside diameter concrete filled steel pipe shall be encased in 12" concrete all around and embedded 2'

For VIP Compactors rear bollards must be placed directly behind dumpster. Get with installer for placement of compacting unit

Additional information concerning these specifications may be obtained by calling the Solid Waste Management Department at (505) 761-8125

*****Trash enclosures are intended for dumpsters only.*****

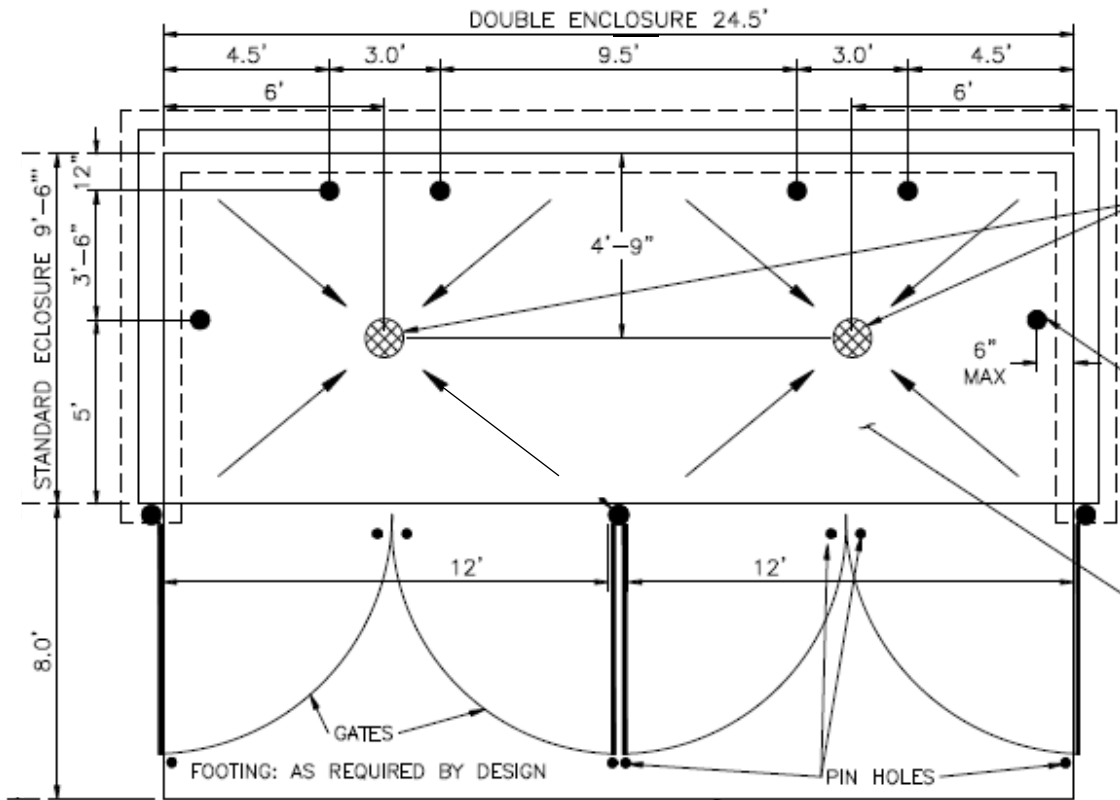
*****If casters are required for service a level smooth hard surface (Asphalt, Concrete) is required from the edge of the apron*****

City of Albuquerque
Solid Waste Management Department
 4600 Edith Blvd NE
 Albuquerque, NM 87107

Attention: All Restaurants, Food Services, Food Distributors. A Sanitary Sewer Drain is required. It should measure 6' to center from side walls, and 4'-9" from back wall to center.

Side bollards are to measure a max of 6" to center from the side enclosure wall.

Concrete Slab Minimum Requirements 6" Thick 4000 PSI 3/4 Aggregate w/6x6-10/10WWM or equal slope to drain 1/8" per foot

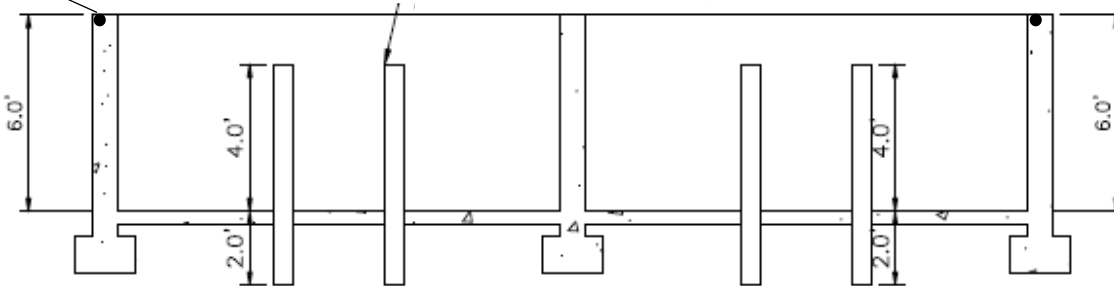


Apron Required In front of Each Enclosure (6" with reinforcing to withstand 57,000 lbs.)

Apron Minimum Requirements 4000 PSI 3/4" Aggregate With 6" Thick Concrete With 6X6-10/10 WWM or Equal With 1/2" Expansion Joint Between Slab and Apron

6" outside diameter concrete filled steel pipe shall be encased in 12" concrete all around and embedded 2'

Bond Beam



It is not the intention of the Solid Waste Department to control the design of an enclosure. It is the intent to give the minimum width, length, and height for varied types of enclosures.

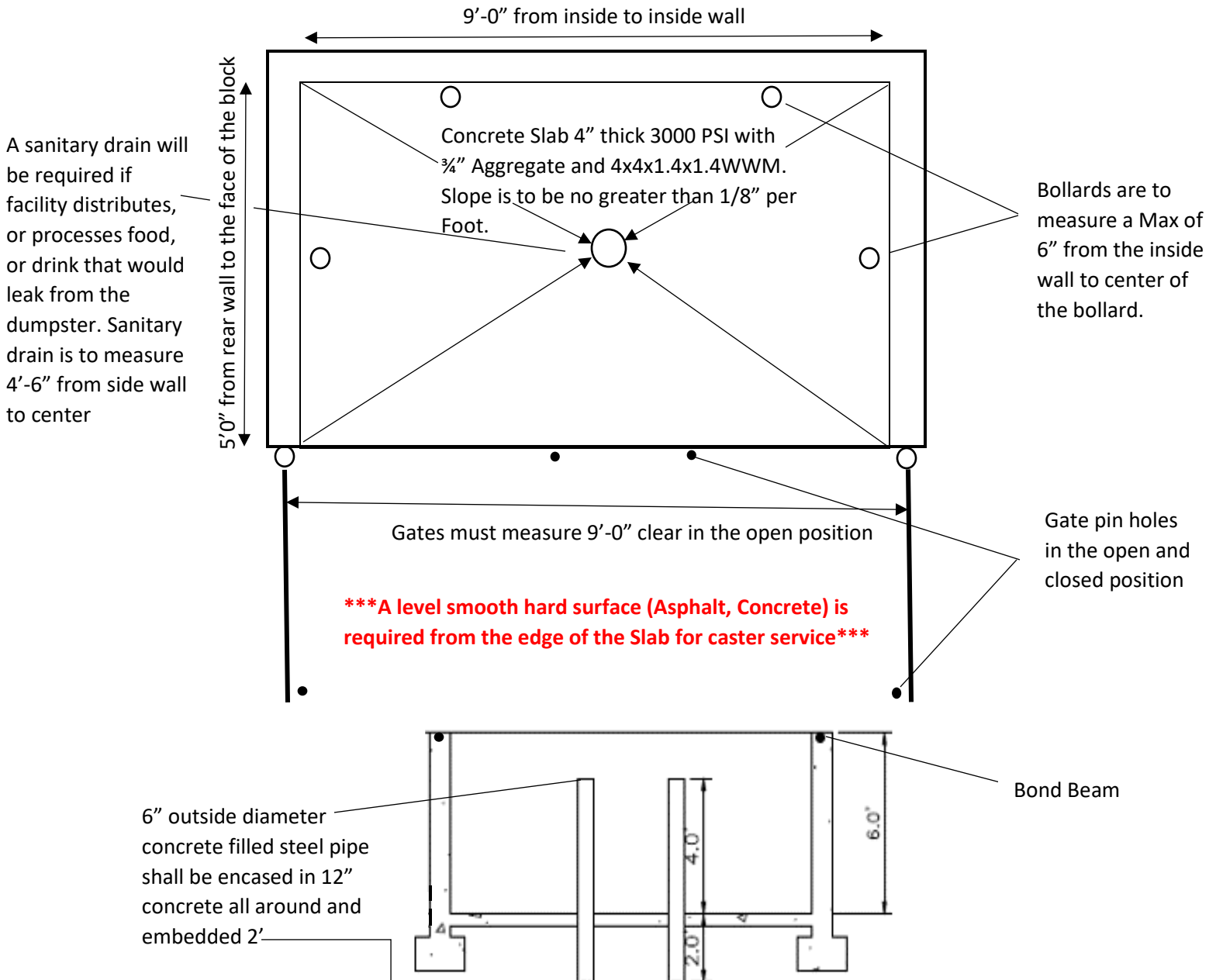
Additional information concerning these specifications may be obtained by calling the Solid Waste Management Department at (505) 761-8125

*****Trash enclosures are intended for dumpsters only.*****

*****If casters are required for service a level smooth hard surface (Asphalt, Concrete) is required from the edge of the apron*****

City of Albuquerque
Solid Waste Management Department
4600 Edith Blvd NE
Albuquerque, NM 87107

Minimum Requirements for a Swanson Enclosure



Additional information concerning these specifications may be obtained by calling the Solid Waste department at (505) 761-8125

City of Albuquerque

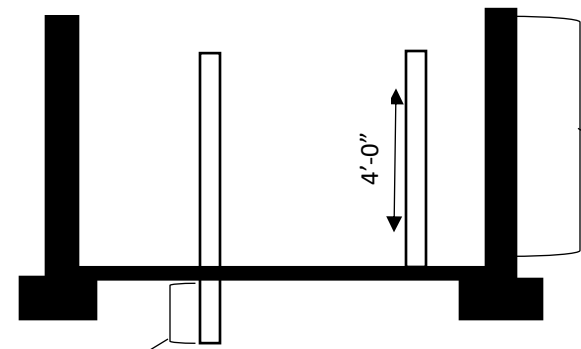
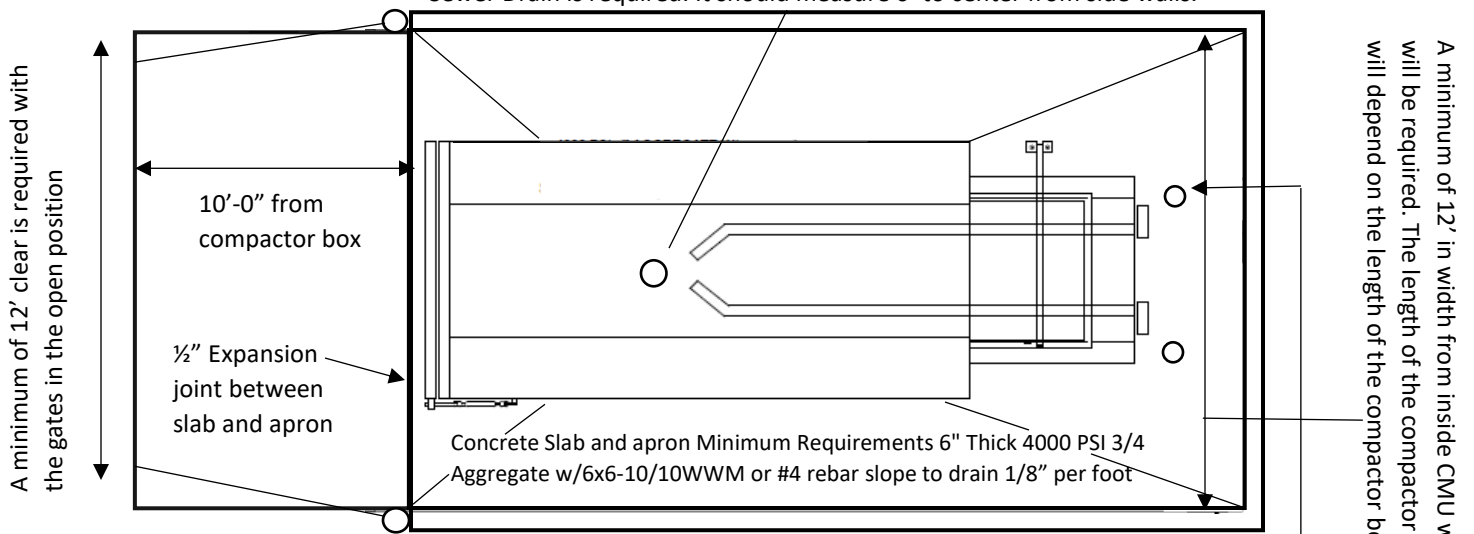
Solid Waste Management Department

4600 Edith Blvd NE

Albuquerque, NM 87107

Concrete pad is to be a minimum of 12' wide with a length of 10' greater than the combined length of the compactor and the container (box). Concrete is to be a minimum of 4000 PSI, steel reinforced, 6" thick

Attention: All Restaurants, Food Services, Food Distributors. A Sanitary Sewer Drain is required. It should measure 6' to center from side walls.



Bollards maybe required (depending on design of compactor). Bollards are to measure 12" from rear of compactor box.

The height of the CMU wall will depend on the height of the compactor box. It will have to completely screen off the compactor from public view

Bollards are to be embedded 2' and shall be encased in 12" concrete all around

Additional information concerning these specifications may be obtained by calling the Solid Waste Management Department at (505) 761-8125

Trash enclosures are intended for dumpsters only.